



US00D371177S

# United States Patent [19]

Efobi

[11] Patent Number: **Des. 371,177**

[45] Date of Patent: **\*\*Jun. 25, 1996**

[54] **AEROBIC EXERCISE MAT**

5,417,636 5/1995 Havens ..... 482/140

[76] Inventor: **Pius Efobi**, 22 B, Eatoncrest Dr., Eastontown, N.J. 07724

*Primary Examiner*—Philip S. Hyder  
*Attorney, Agent, or Firm*—Harpman & Harpman

[\*\*] Term: **14 Years**

### [57] CLAIM

[21] Appl. No.: **34,548**

The ornamental design for an aerobic exercise mat, as shown and described.

[22] Filed: **Feb. 7, 1995**

### DESCRIPTION

[52] U.S. Cl. .... **D21/191**

[58] Field of Search ..... D21/191, 195;  
482/140, 142, 145, 52, 129

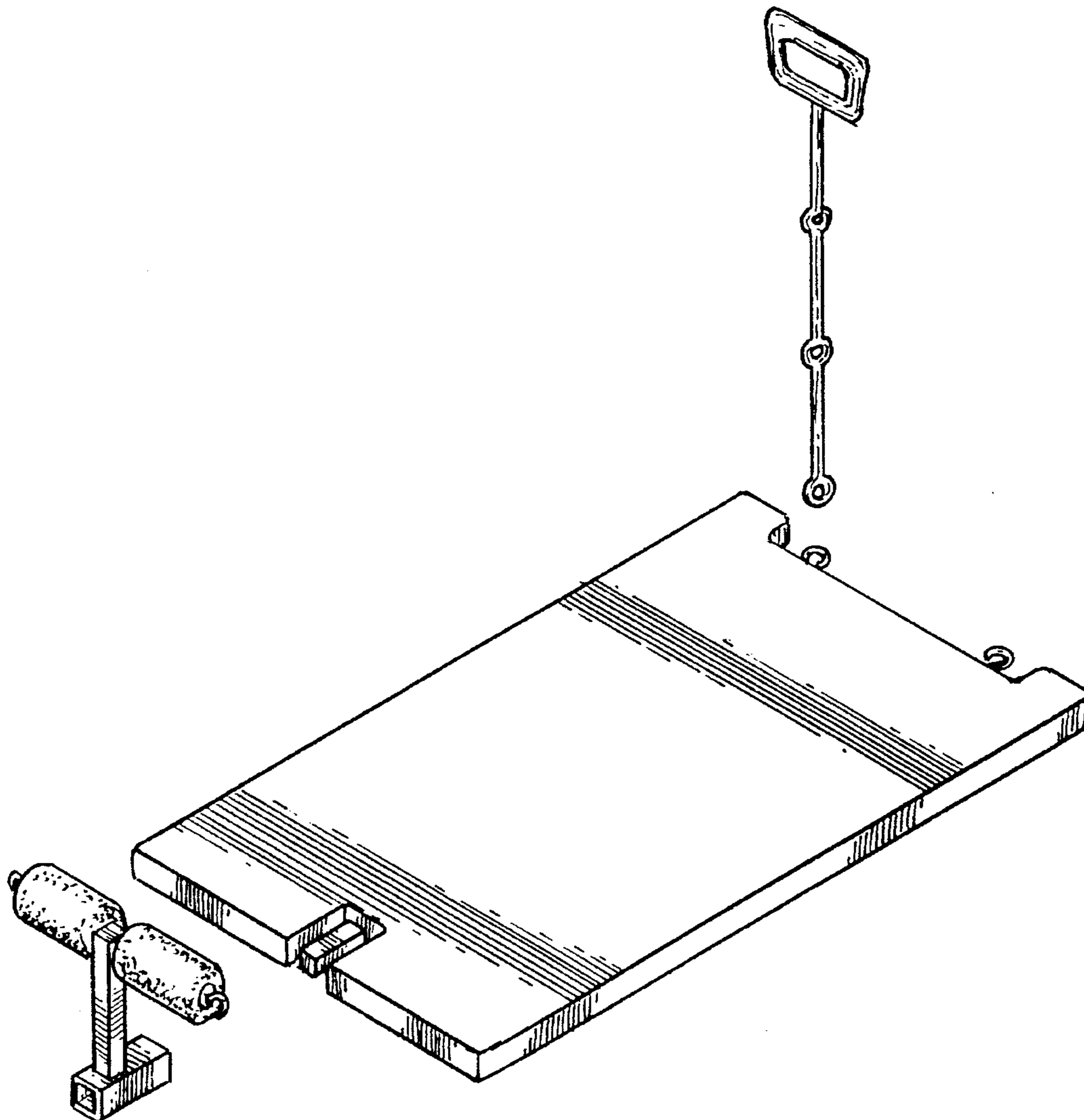
FIG. 1 is a exploded top, front, and right side perspective view of an aerobic exercise mat showing my new design; FIG. 2 is a front elevational view thereof showing aerobic exercise mat in an assembled state; FIG. 3 is a rear elevational view thereof; FIG. 4 is a side elevational view thereof, the side opposite being a mirror image of the side shown in FIG. 4; FIG. 5 is a top plan view thereof; and, FIG. 6 is a bottom plan view thereof.

### [56] References Cited

#### U.S. PATENT DOCUMENTS

D. 355,458	2/1995	Chen	.....	D21/191
4,403,773	9/1983	Swann	.....	482/145
4,489,936	12/1984	Dal Monte	.....	482/145
4,863,163	9/1989	Wehrell	.....	482/129
4,884,804	12/1989	Fenwick	.....	482/140
5,261,864	11/1993	Fitzpatrick	.....	482/52

**1 Claim, 2 Drawing Sheets**



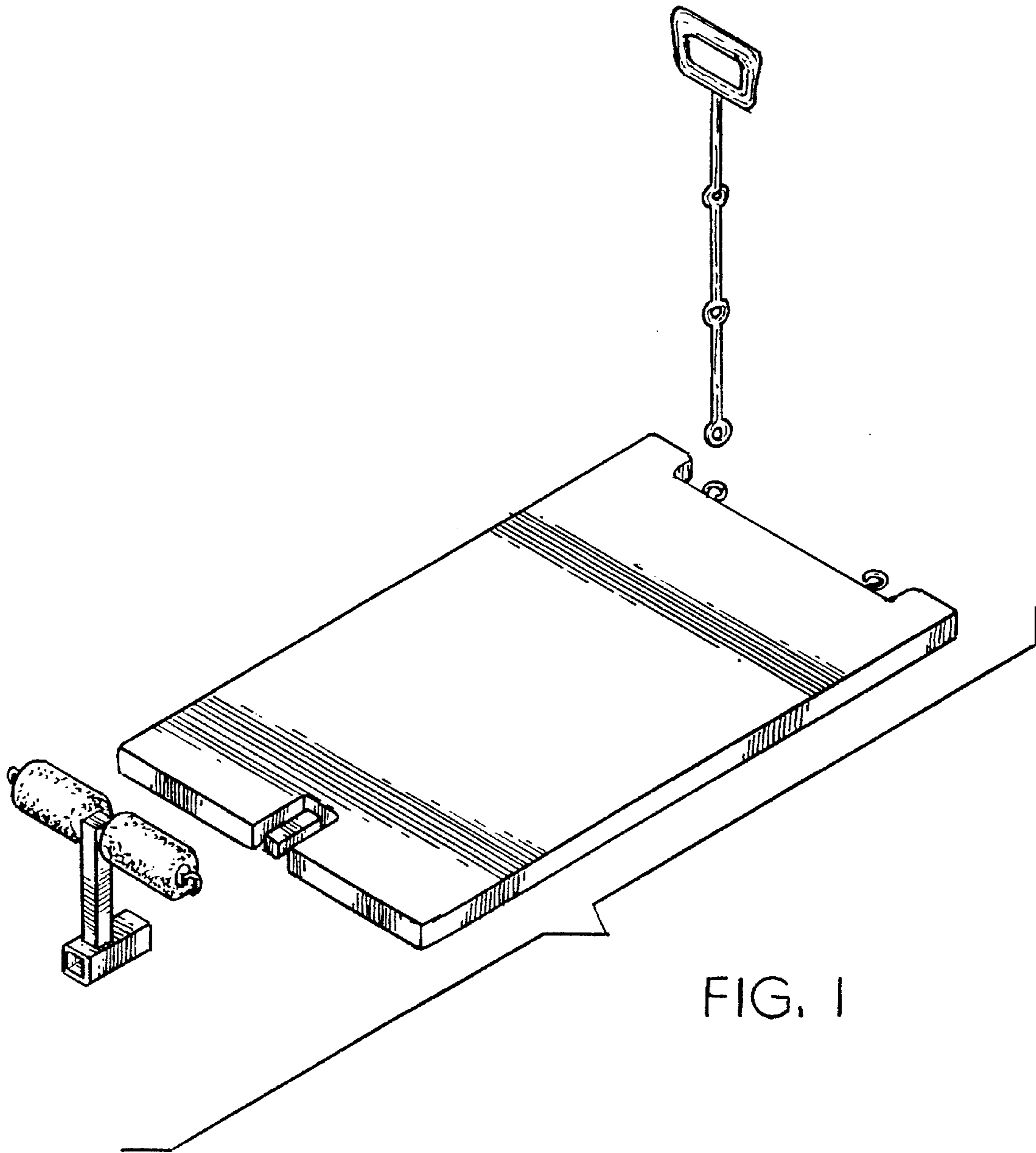


FIG. 1

FIG. 2

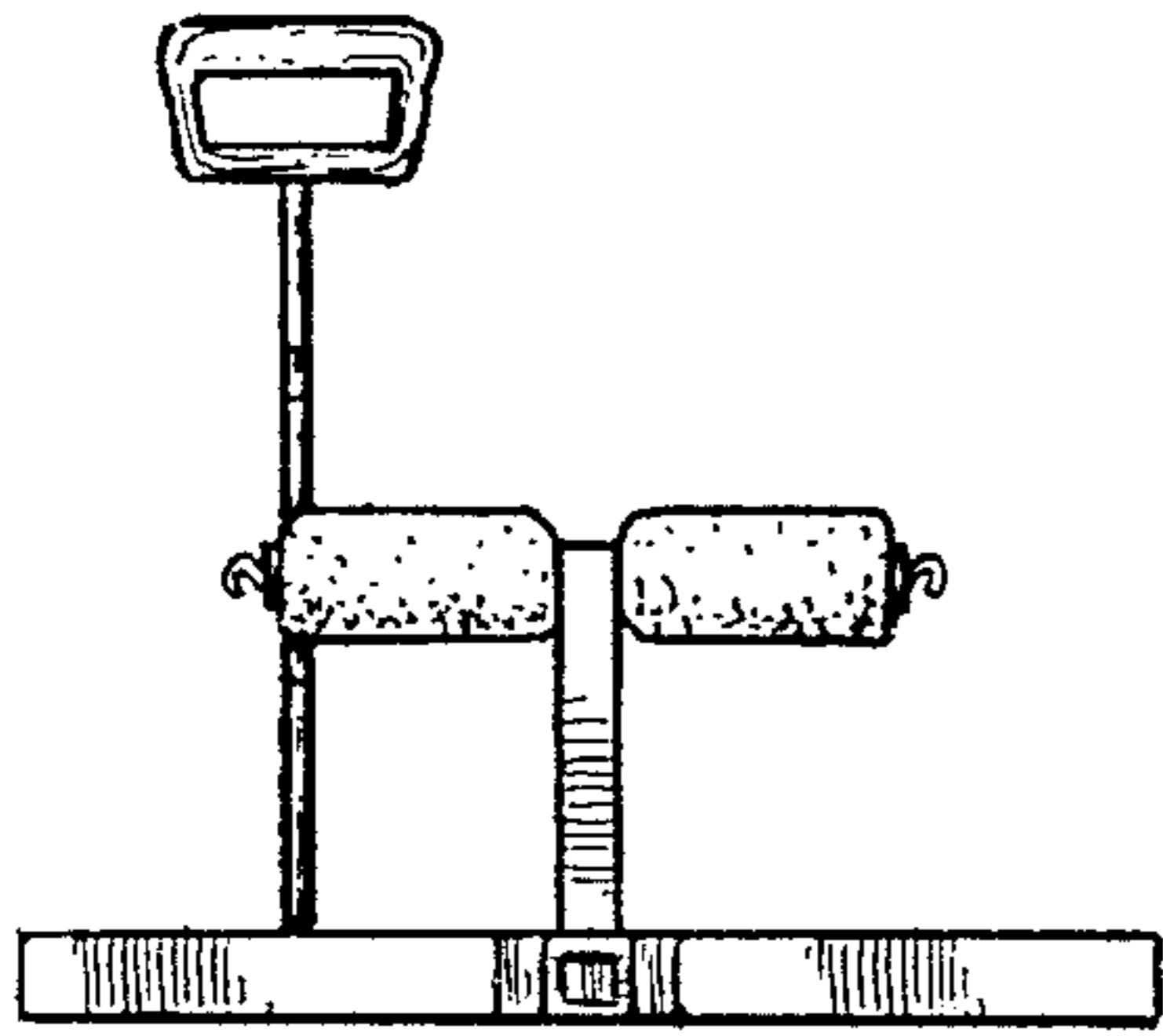


FIG. 3

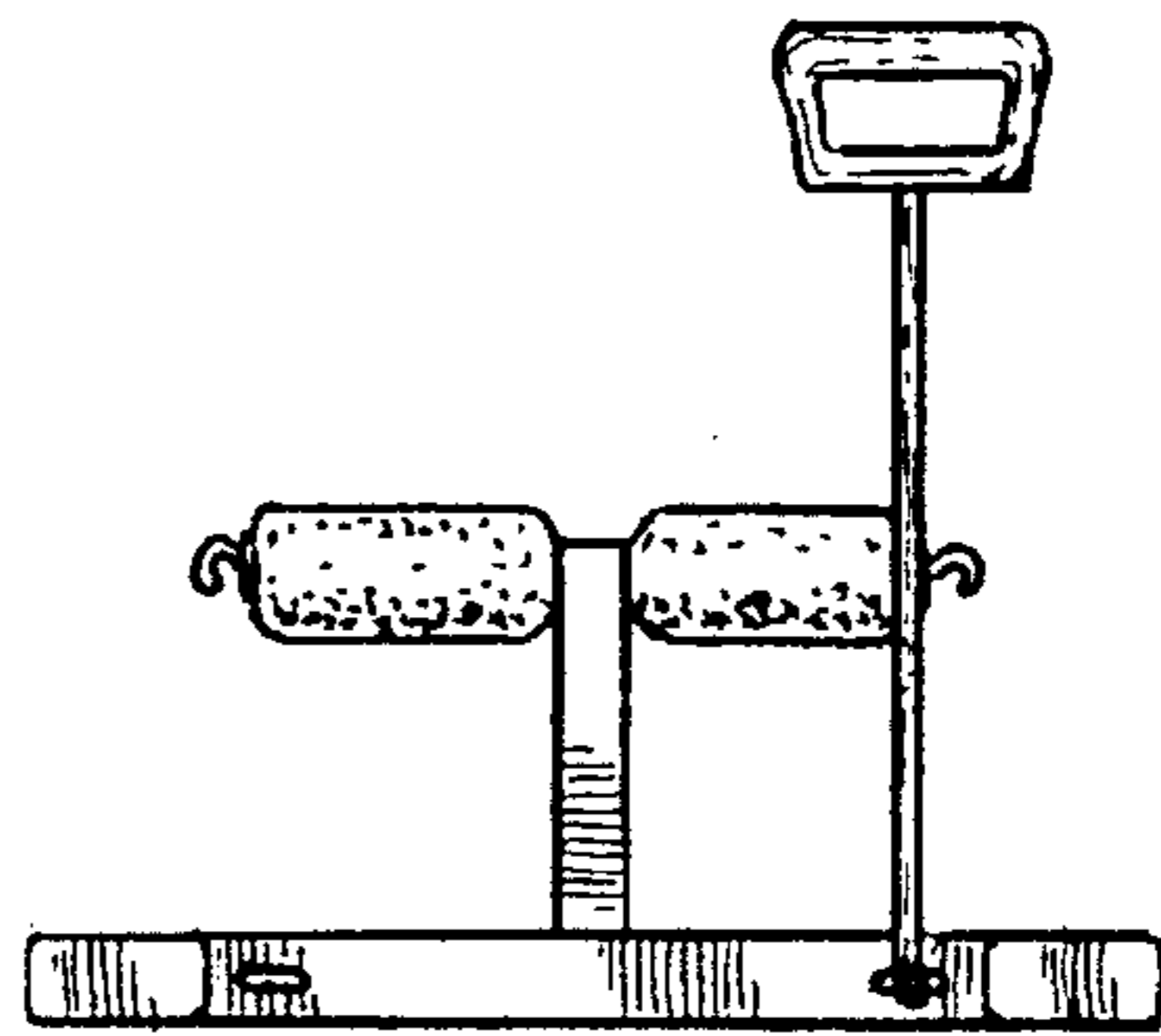


FIG. 4

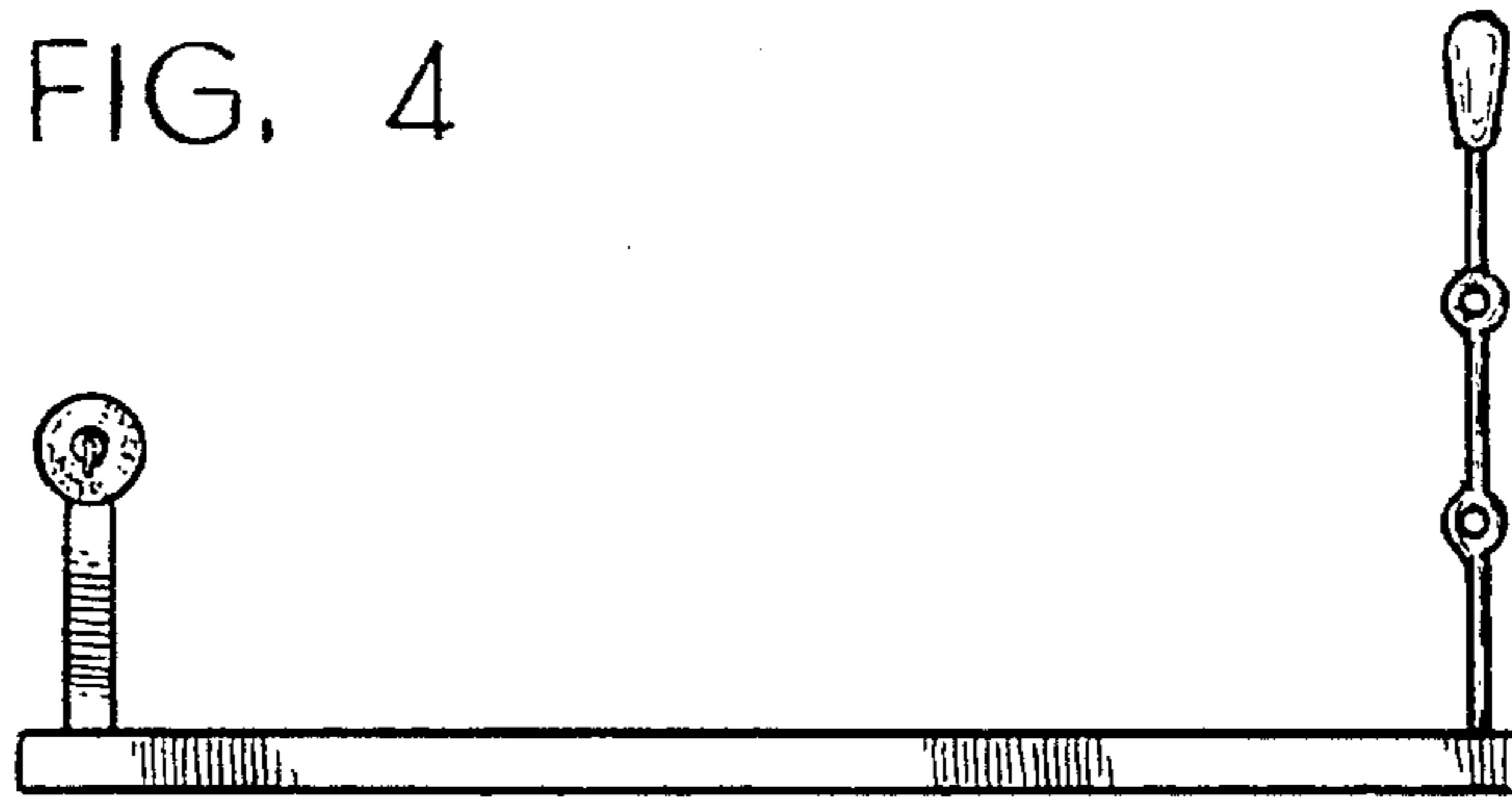


FIG. 5

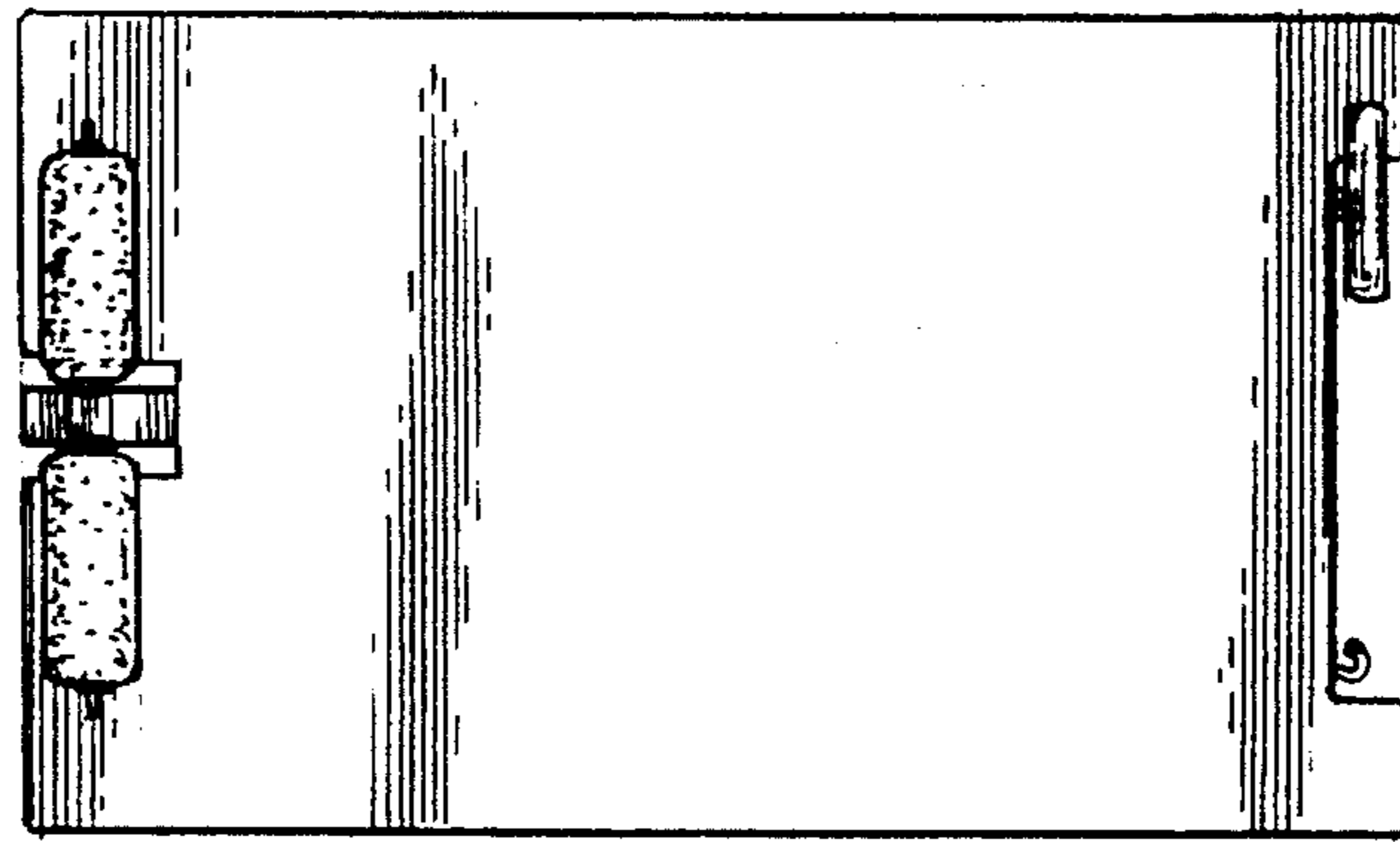


FIG. 6

