



US00D371176S

United States Patent [19]

[11] Patent Number: Des. 371,176

Furner

[45] Date of Patent: **Jun. 25, 1996

[54] STEP EXERCISE BENCH

[75] Inventor: Paul Furner, Racine, Wis.

[73] Assignee: Icon Health & Fitness, Inc., Logan, Utah

[**] Term: 14 Years

[21] Appl. No.: 29,529

[22] Filed: Oct. 7, 1994

[52] U.S. Cl. D21/191

[58] Field of Search D21/191; D6/349, D6/350, 355, 500, 501, 502; 482/51, 52; 108/11, 12, 144, 156

[56] References Cited

U.S. PATENT DOCUMENTS

D. 287,283	12/1986	Johnson .	
D. 299,501	1/1989	Howze .	
D. 300,045	2/1989	Grider .	
D. 323,537	1/1992	Wilkinson .	
D. 327,718	7/1992	Köfler .	
D. 330,057	10/1992	Saunders et al. .	
D. 330,234	10/1992	Saunders	D21/191
D. 332,647	1/1993	Johnson .	
D. 333,329	2/1993	Jacobs .	
D. 337,362	7/1993	Goldstein et al.	D21/191
D. 339,179	9/1993	Wilkinson .	
D. 346,189	4/1994	Chen .	
D. 347,666	6/1994	Hand	D21/191
D. 349,540	8/1994	Hand et al.	D21/191
4,340,218	7/1982	Wilkinson .	
4,561,652	12/1985	Wilkinson .	
4,648,593	3/1987	Wilkinson .	
4,659,075	4/1987	Wilkinson .	
4,984,785	1/1991	Wilkinson .	
4,993,706	2/1991	Wilkinson	482/52
5,037,084	8/1991	Flor .	
5,050,861	9/1991	Thomas et al. .	
5,066,001	11/1991	Wilkinson .	
5,096,186	3/1992	Wilkinson et al. .	
5,108,089	4/1992	Wilkinson .	
5,116,044	5/1992	Wilkinson et al. .	
5,118,095	6/1992	Flor	482/52
5,118,096	6/1992	Wilkinson et al. .	
5,125,646	6/1992	Wilkinson	482/52

5,127,647	7/1992	Wilkinson	482/52
5,154,678	10/1992	Adamczyk et al. .	
5,162,028	11/1992	Wilkinson	482/52
5,169,360	12/1992	Saunders	482/52
5,176,596	1/1993	Ullman .	
5,213,554	5/1993	Goldstein et al. .	
5,248,286	9/1993	Wilkinson et al. .	
5,261,864	11/1993	Fitzpatrick	482/130
5,269,735	12/1993	Pfitzenmeier	482/52
5,275,579	1/1994	Wilkinson .	
5,328,427	7/1994	Sleamaker	482/71

OTHER PUBLICATIONS

Ad slick for Stepshaper Workout Video, Step by Step—Basic Level.
 Ad slick for Stepshaper Workout Video, Stepping Up—Intermediate Level.
 Ad slick for Stepshaper Workout Video, Step Funk—Advanced Level.
 JCPenney Catalog ad slick, p. 740.
 Sportmart Health Fitness Ad slick, dated Jan. 10th.
 Sears Wish Book Catalog ad slick, pp. 600–601, 1991.
 Advertisement for Reebok Step Platform from Club Industry Magazine dated 1995.
 Advertisement for Step II appearing in Winter 1995 Home Fitness Buyers Guide.
 Advertisement for Jane Fonda Stepper appearing in Jane Fonda's Personal Training Guide.

Primary Examiner—Philip S. Hyder
Attorney, Agent, or Firm—Trask, Britt & Rossa

[57] CLAIM

The ornamental design for a step exercise bench, as shown and described.

DESCRIPTION

FIG. 1 is a perspective view of a step exercise bench showing my design thereof;
 FIG. 2 is a view of the step exercise bench as seen from either the left side or the right side thereof;
 FIG. 3 is a view of the step exercise bench as seen from either the front or the rear thereof;
 FIG. 4 is a top view thereof;
 FIG. 5 is a bottom view thereof;
 FIG. 6 is a perspective view of a second embodiment thereof;

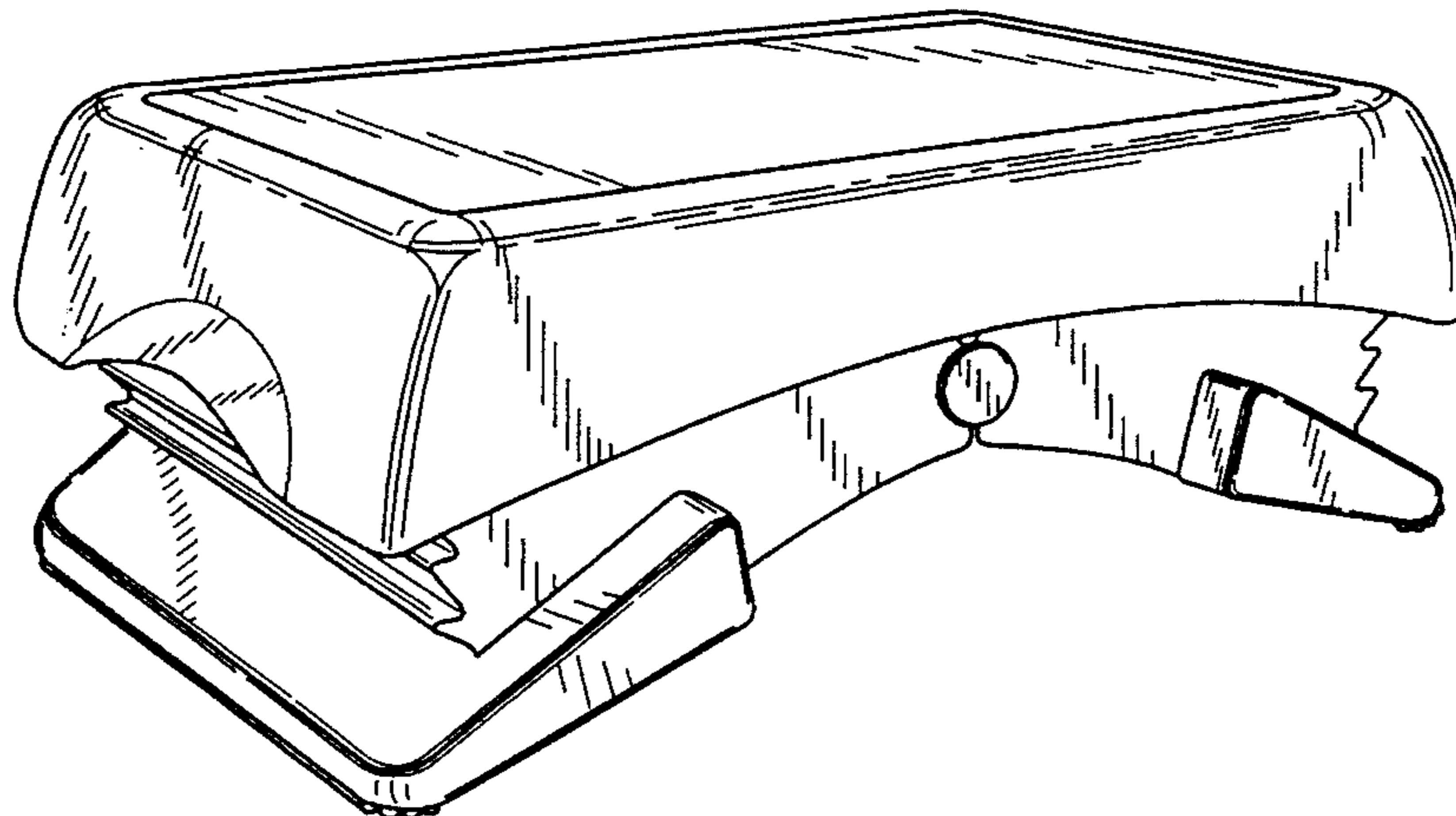


FIG. 7 is a view of the embodiment of FIG. 6 as seen from either the left side or the right side thereof;

FIG. 8 is a view of the embodiment of FIG. 6 as seen from either the front or the rear thereof;

FIG. 9 is a perspective view of the embodiment of FIG. 1, shown in an alternate position;

FIG. 10 is a view of the embodiment of FIG. 9 as seen from either the front or the rear thereof;

FIG. 11 is a view of the embodiment of FIG. 9 as seen from either the left side or the right side thereof; and,

FIG. 12 is a perspective view of a third embodiment thereof.

1 Claim, 5 Drawing Sheets

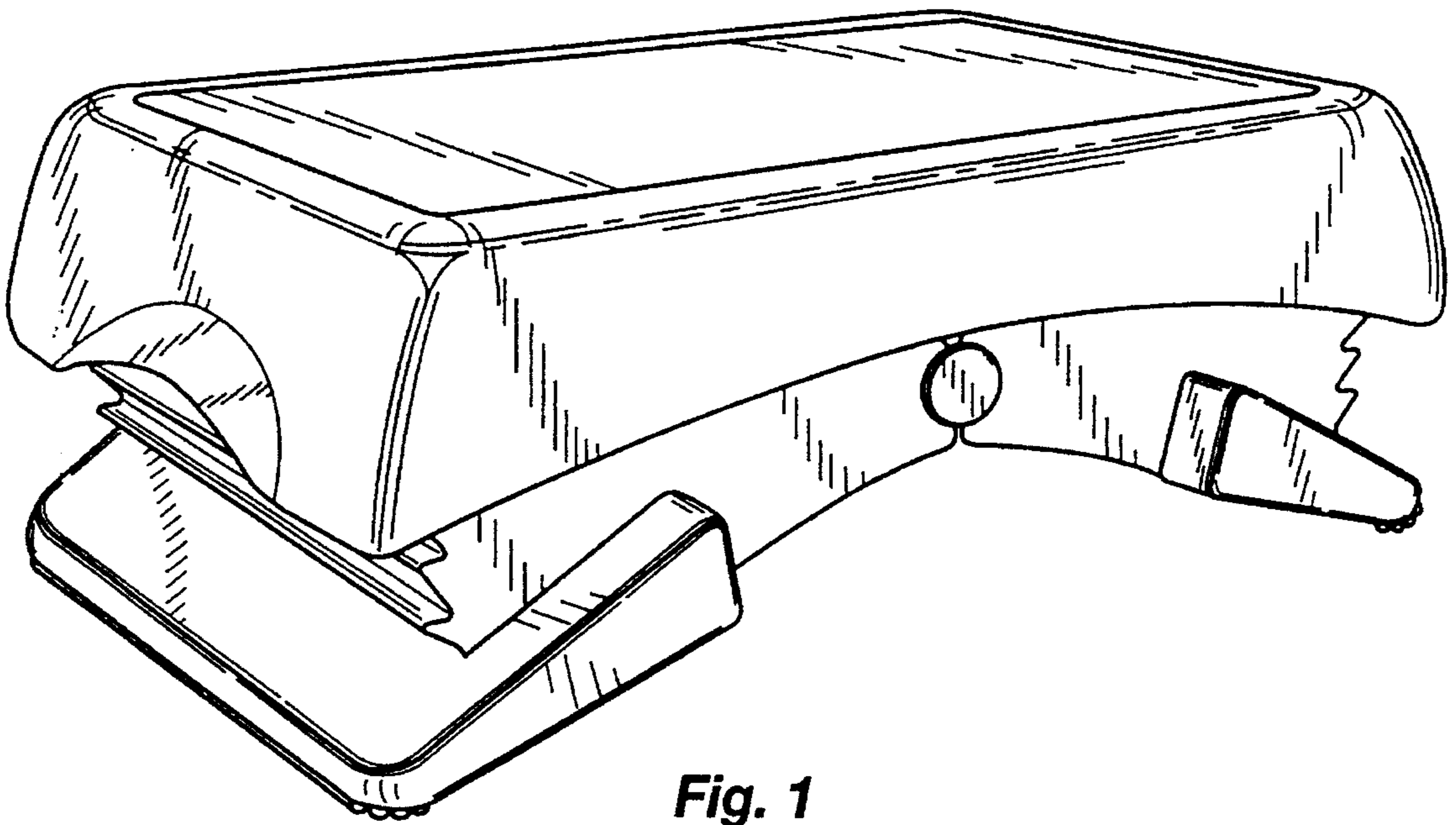


Fig. 1

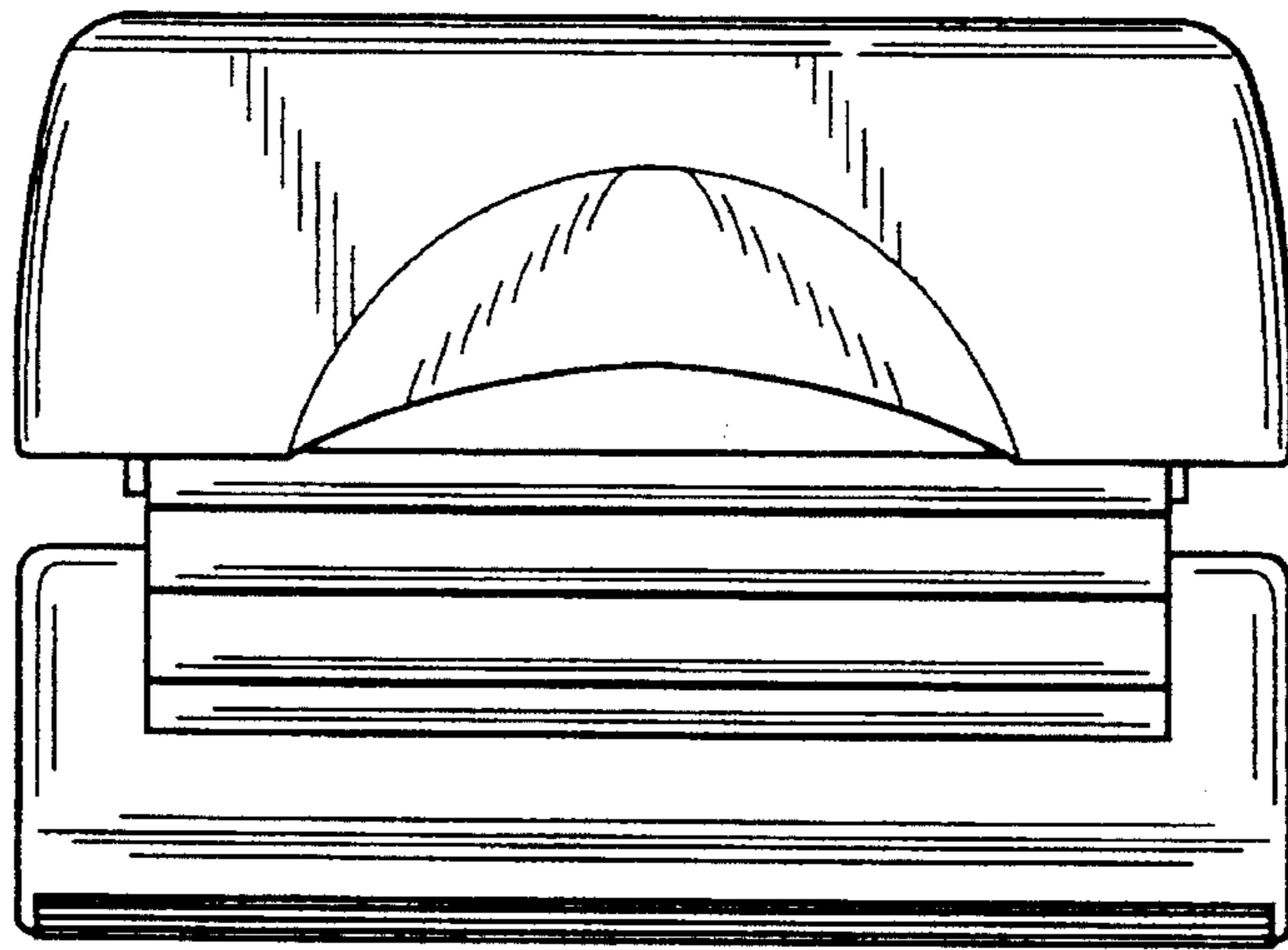


Fig. 2

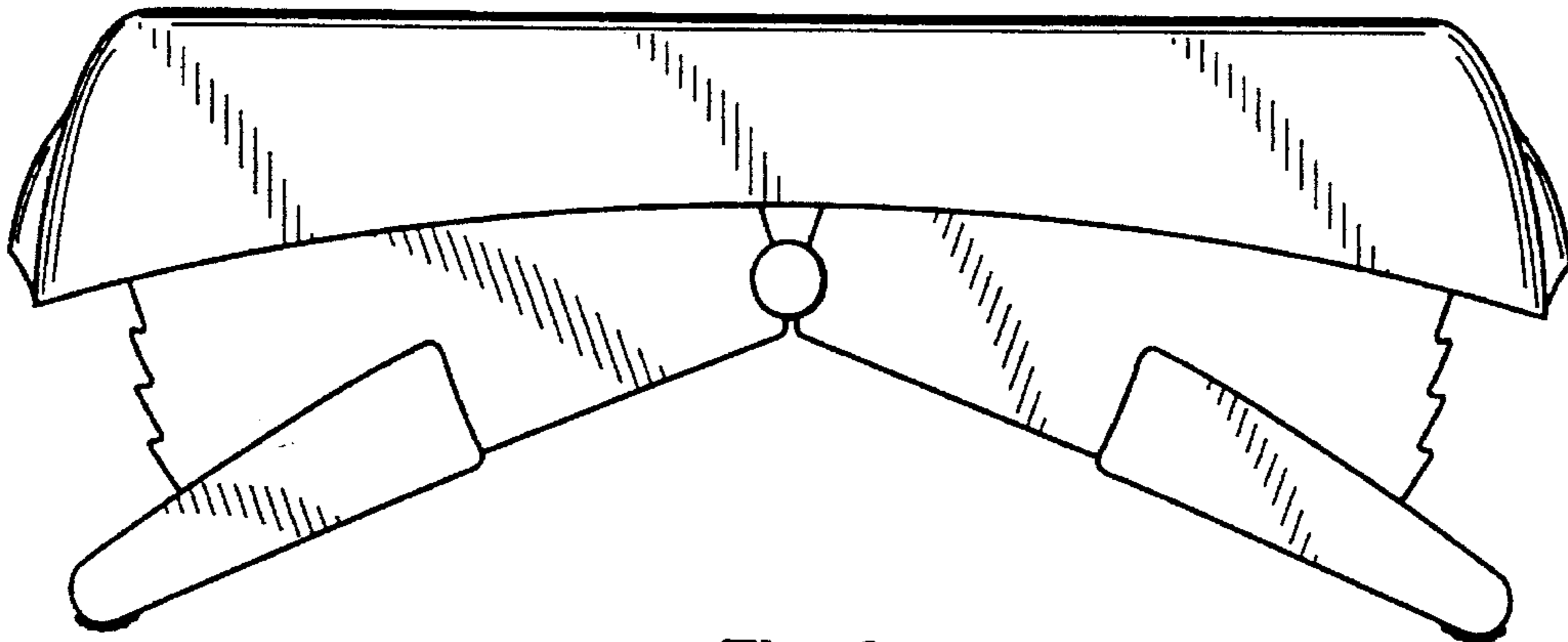


Fig. 3

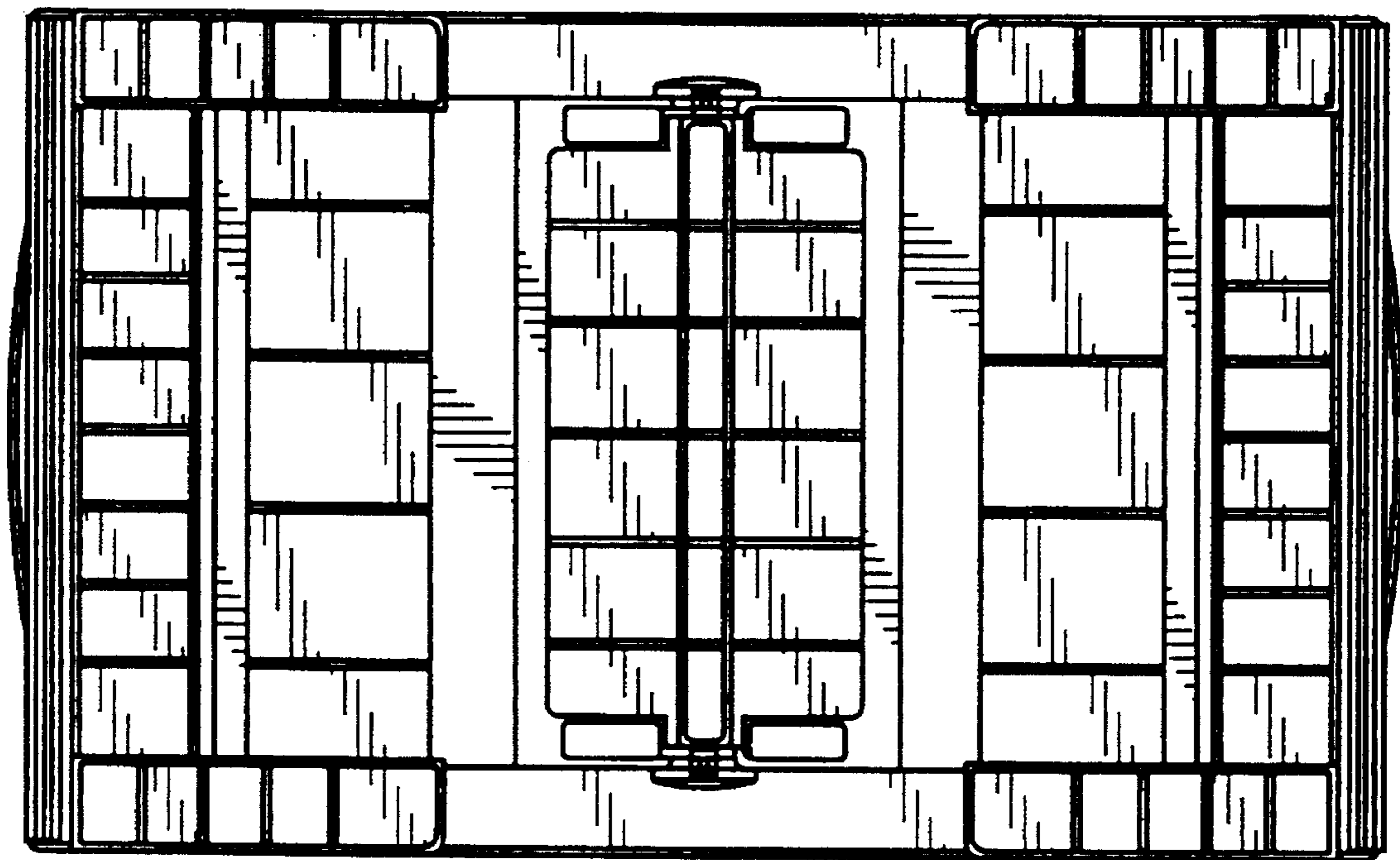


Fig. 5

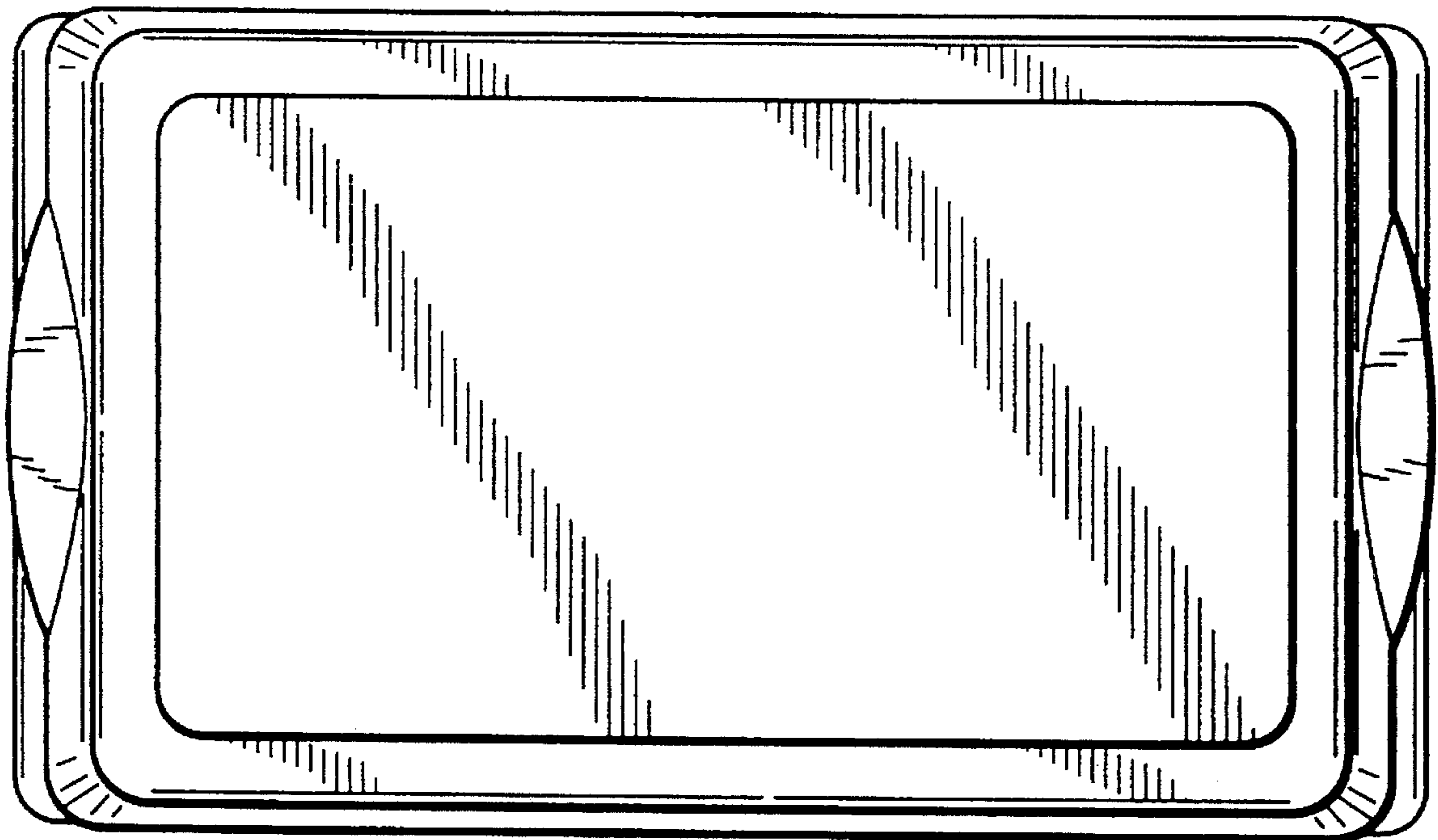


Fig. 4

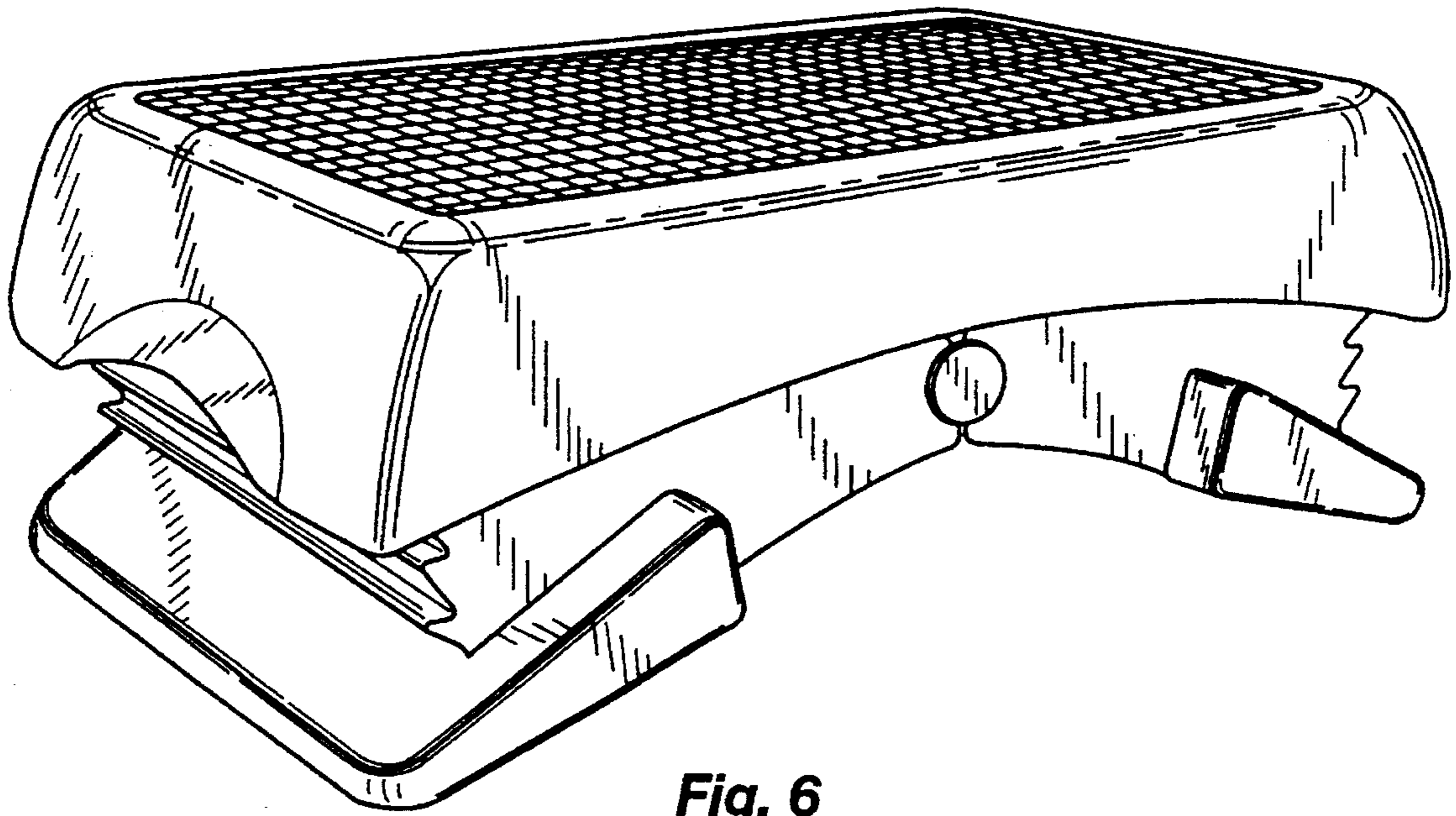


Fig. 6

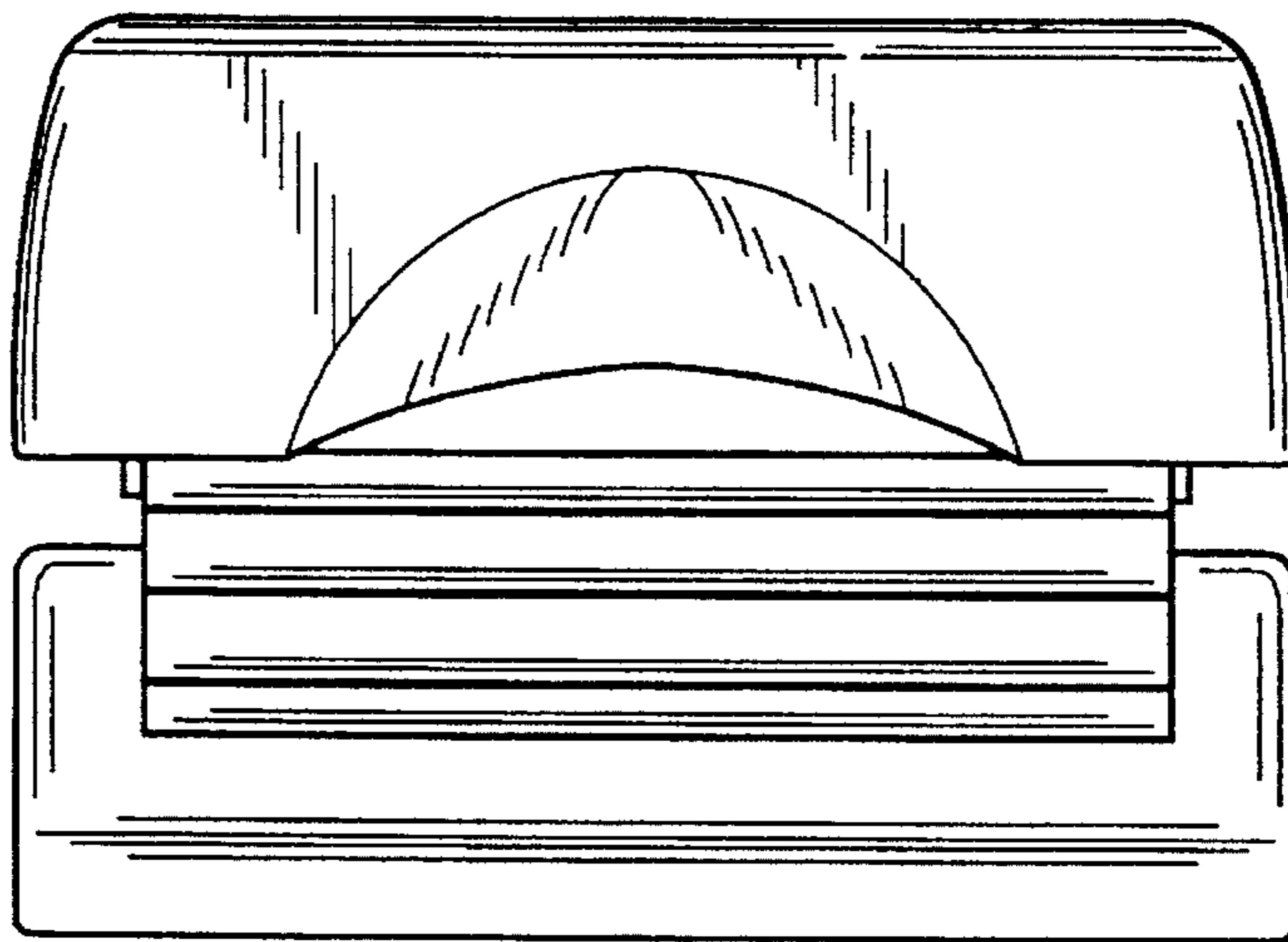


Fig. 7

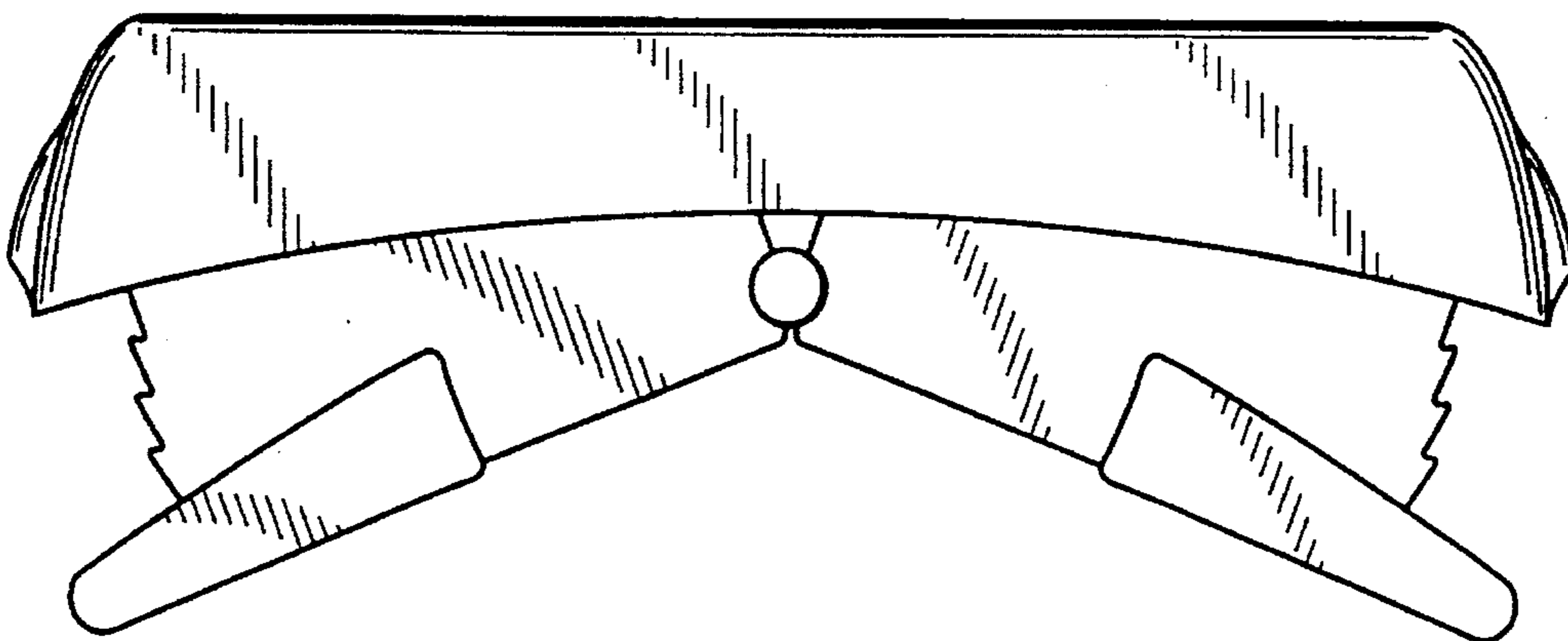


Fig. 8

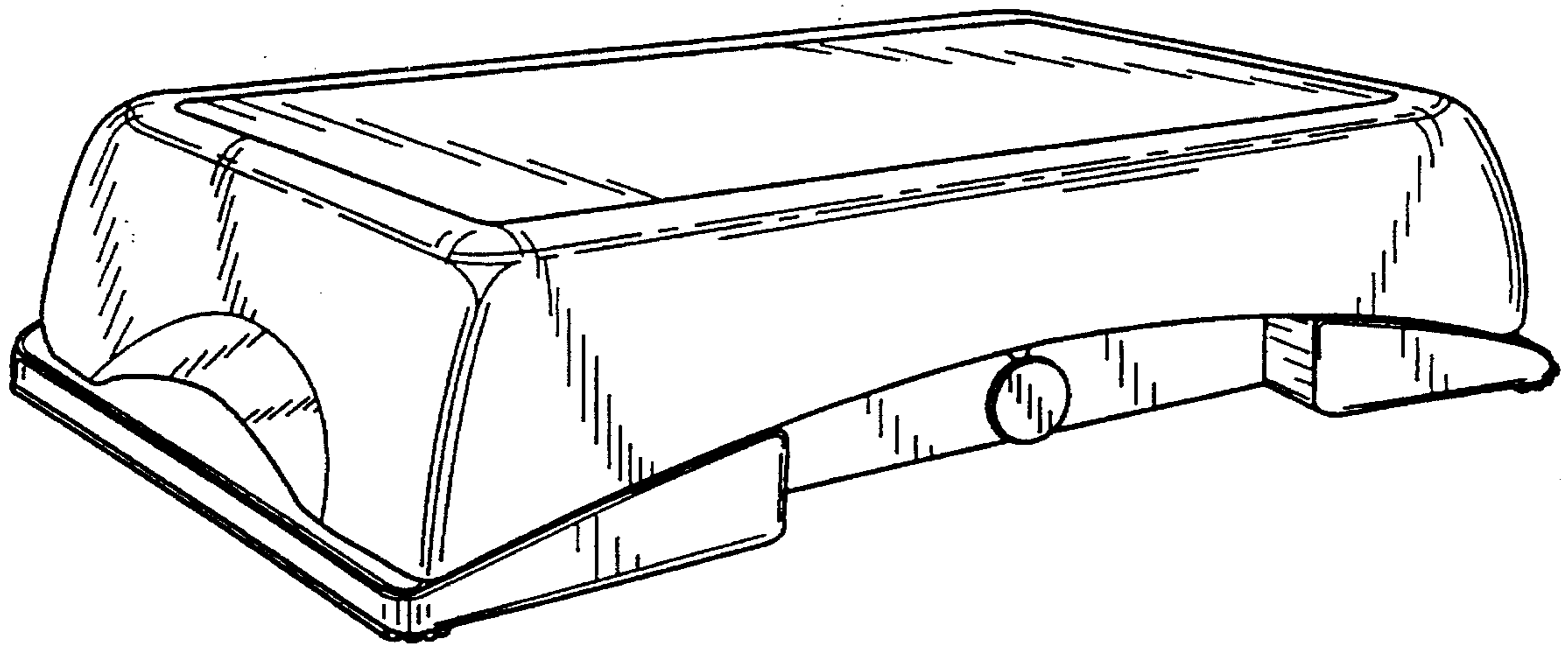


Fig. 9

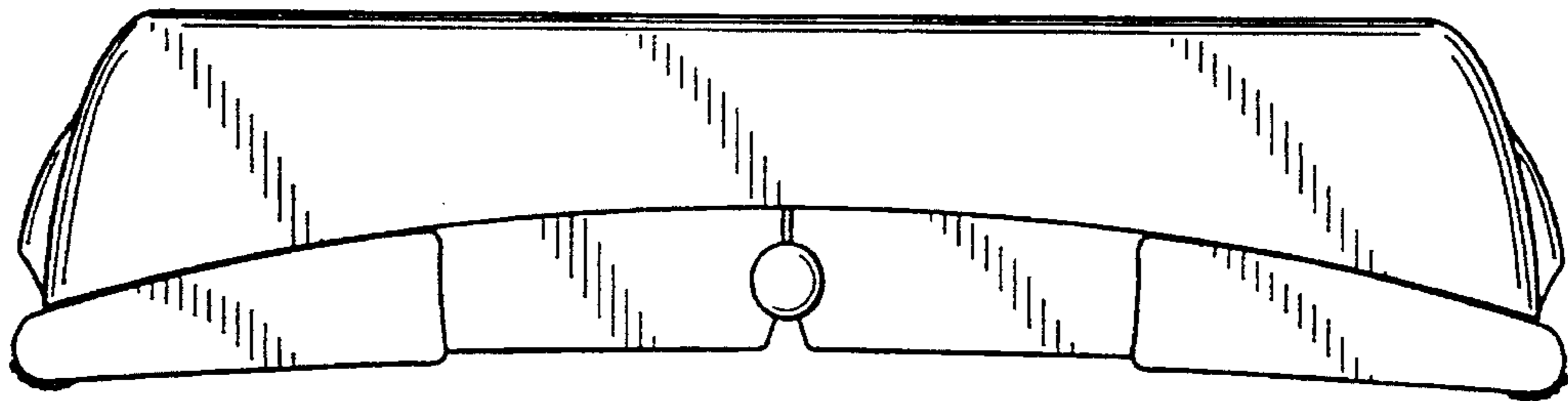


Fig. 10

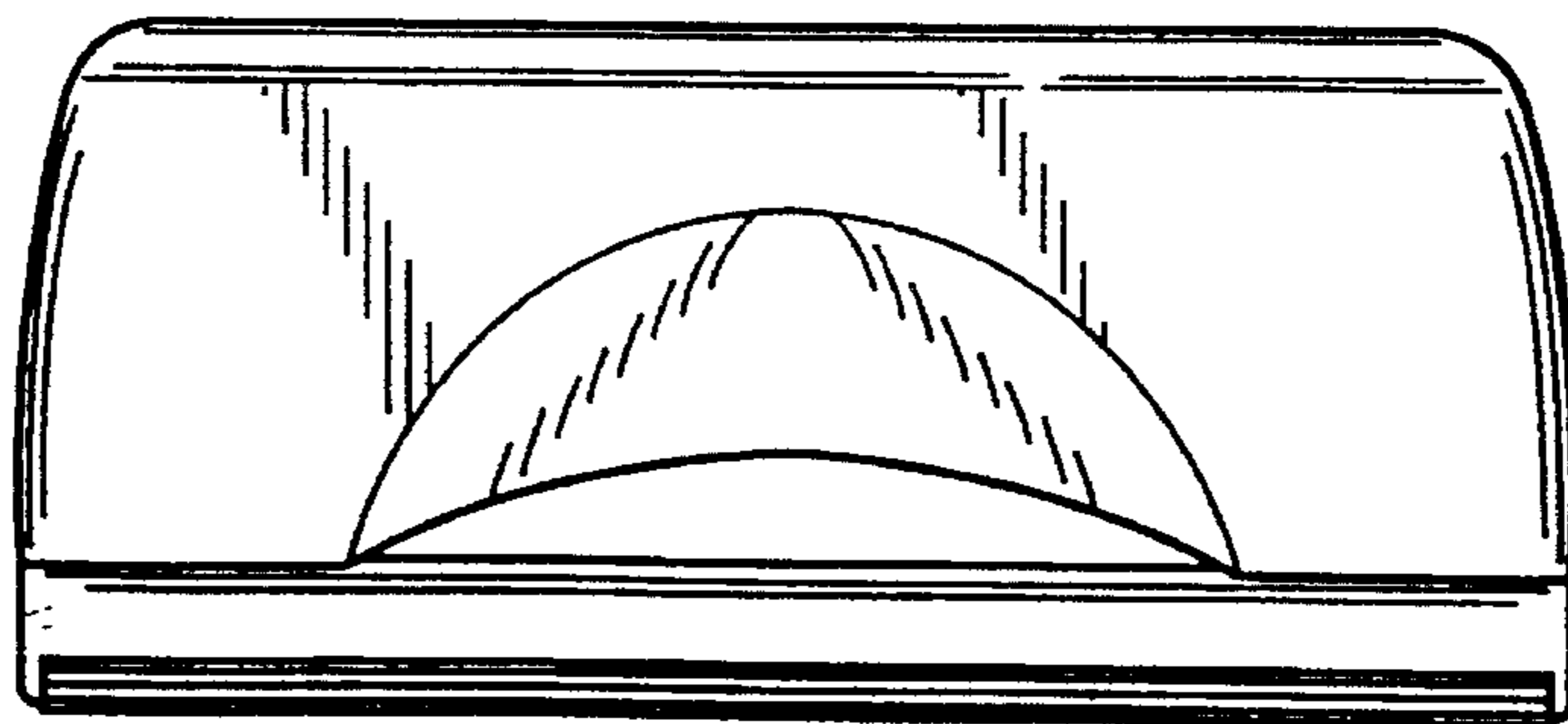


Fig. 11

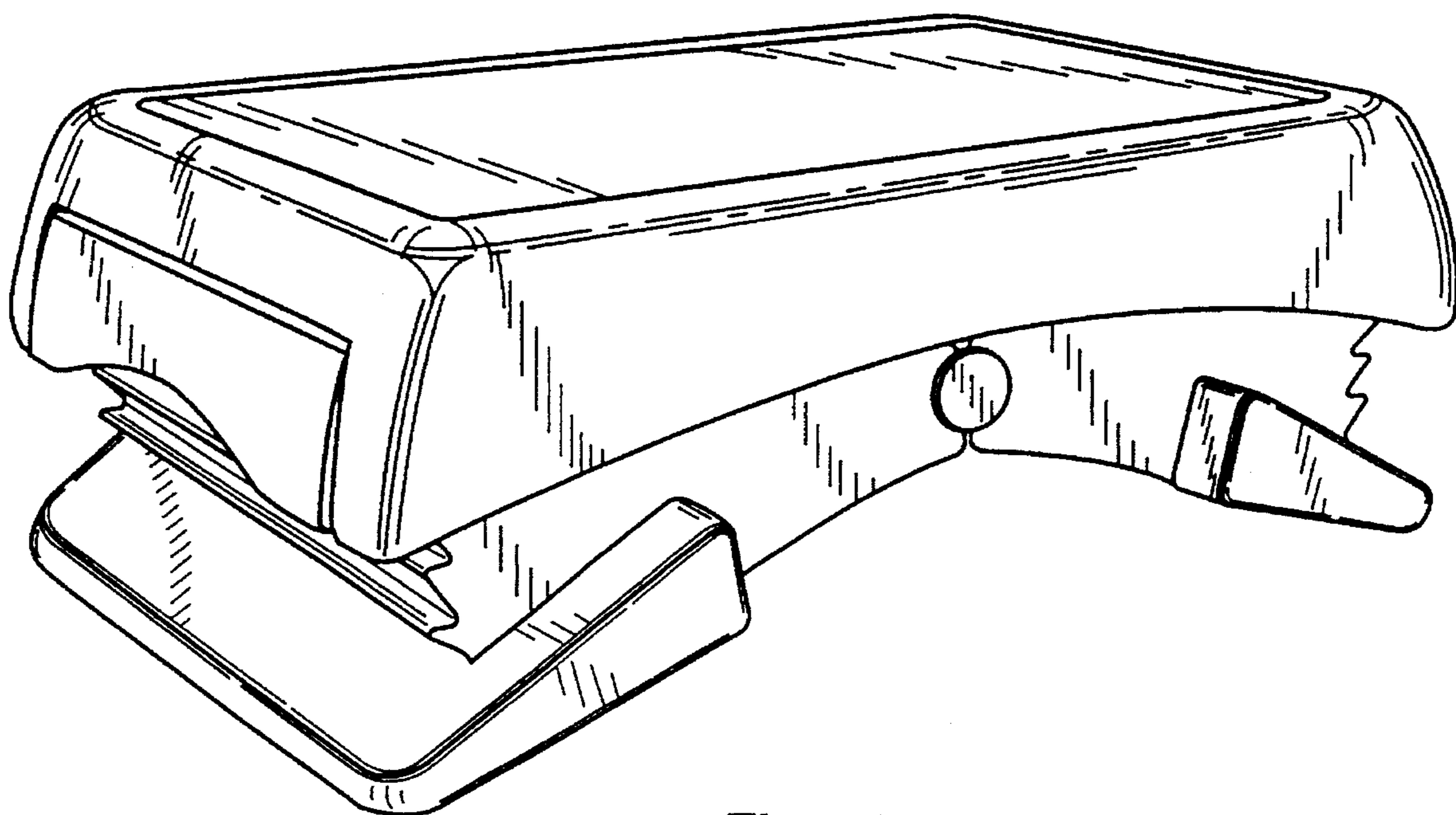


Fig. 12