



US00D371174S

United States Patent [19]
Tsai

[11] **Patent Number: Des. 371,174**
[45] **Date of Patent: **Jun. 25, 1996**

[54] **TOY ROBOT**

[76] Inventor: **Wen H. Tsai**, 8F., No.113, Yu Yen Rd.,
Taipei, Taiwan

[**] Term: **14 Years**

[21] Appl. No.: **31,655**

[22] Filed: **Dec. 2, 1994**

[52] U.S. Cl. **D21/150**

[58] Field of Search D21/150, 166;
446/97-100, 268-269, 279, 289, 290-292

[56] **References Cited**

U.S. PATENT DOCUMENTS

| | | | | |
|------------|---------|------------------|-------|---------|
| D. 287,986 | 1/1987 | Matsui | | D21/150 |
| D. 288,831 | 3/1987 | Man | | D21/150 |
| D. 304,962 | 12/1989 | Watanabe | | D21/150 |
| D. 350,894 | 9/1994 | Meng | | D21/150 |
| D. 353,323 | 12/1994 | Meng | | D21/150 |
| 4,470,187 | 4/1988 | Rasmussen et al. | | 446/268 |

OTHER PUBLICATIONS

Hong Kong Toys, 1982, p. 140 Robot, bottom right.
Toys Hobbies—Crafts, Nov. 1985 p. 37 "Hearoid" robot.

Primary Examiner—Sandra L. Morris
Attorney, Agent, or Firm—Pro-Techtor International

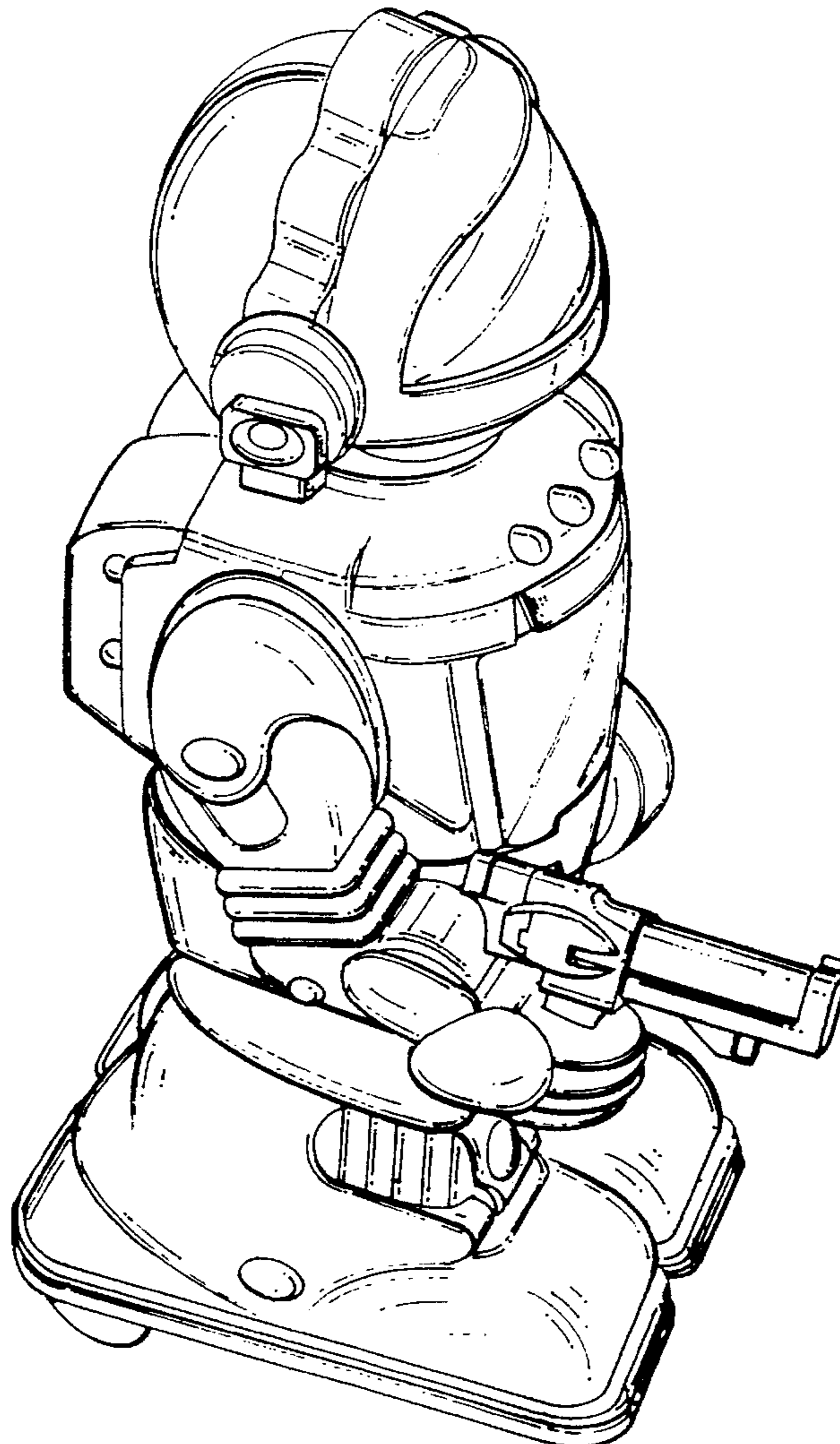
[57] **CLAIM**

The ornamental design for a toy robot, as shown and described.

DESCRIPTION

FIG. 1 is a right side, front perspective view showing my new design for a toy robot;
FIG. 2 is a front elevational view thereof;
FIG. 3 is a rear elevational view thereof;
FIG. 4 is a left side elevational view thereof;
FIG. 5 is a right side elevational view thereof;
FIG. 6 is a top view thereof; and,
FIG. 7 is a bottom view thereof.

1 Claim, 6 Drawing Sheets



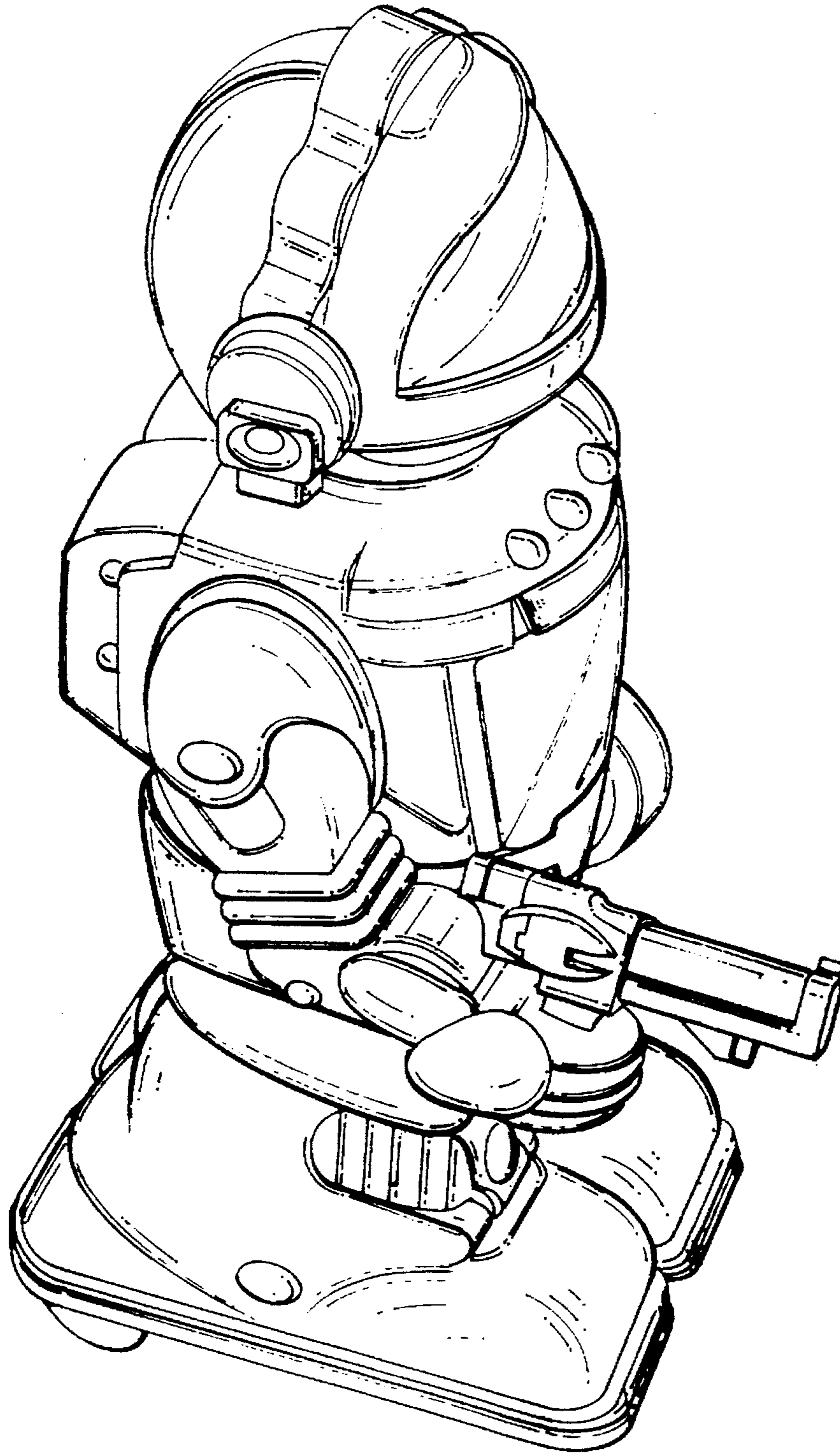


FIG. 1

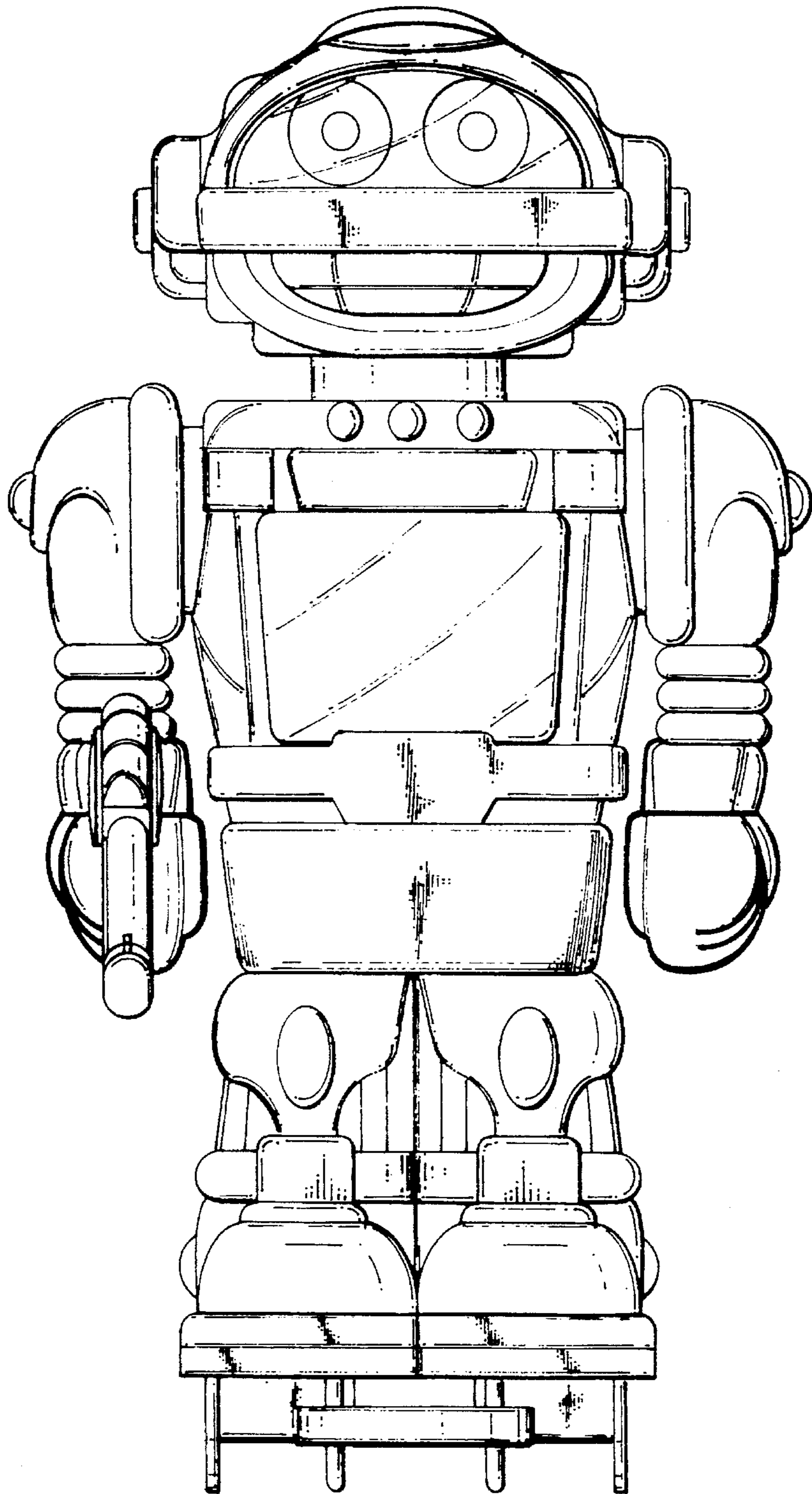


FIG. 2

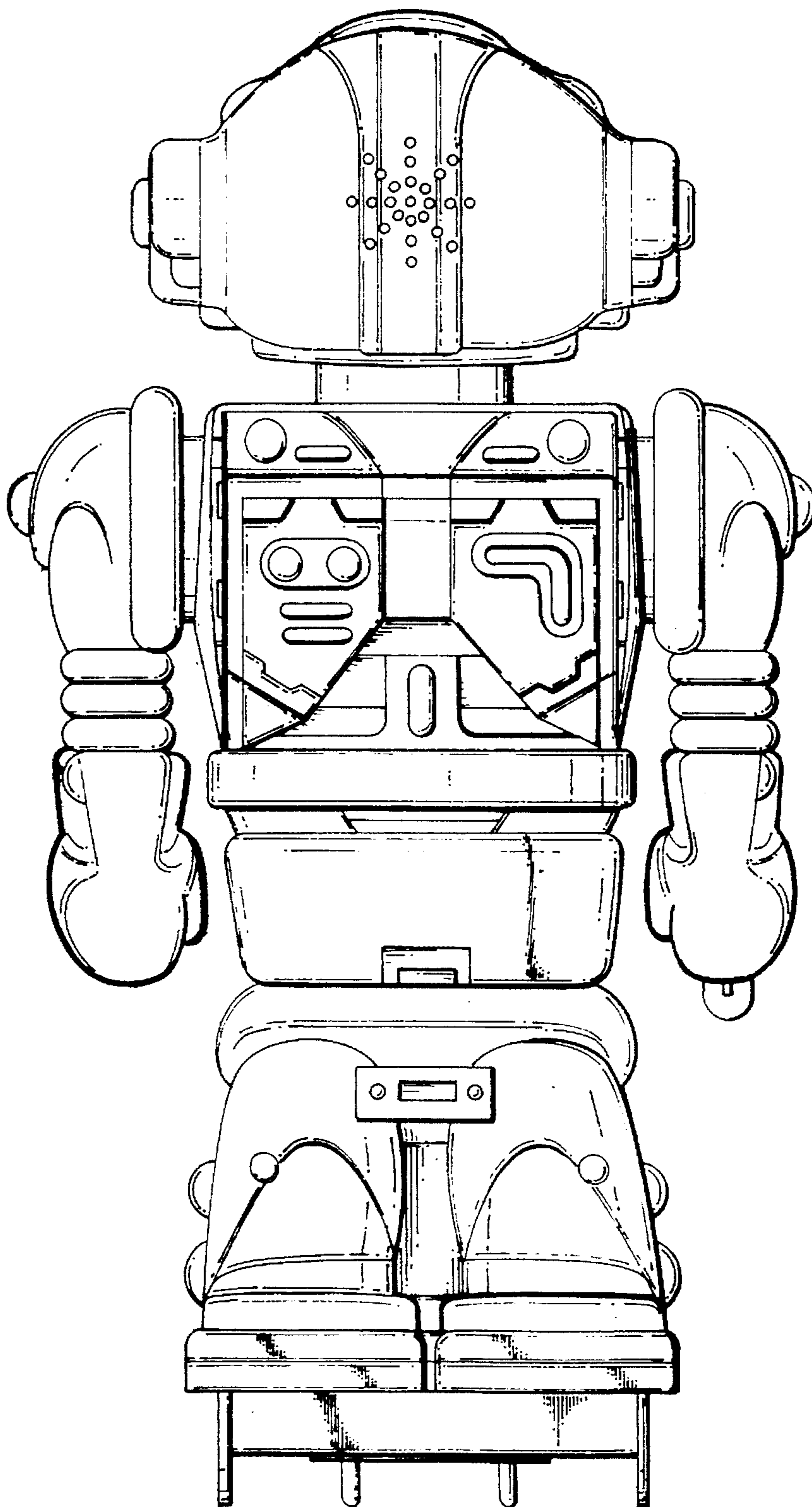


FIG. 3

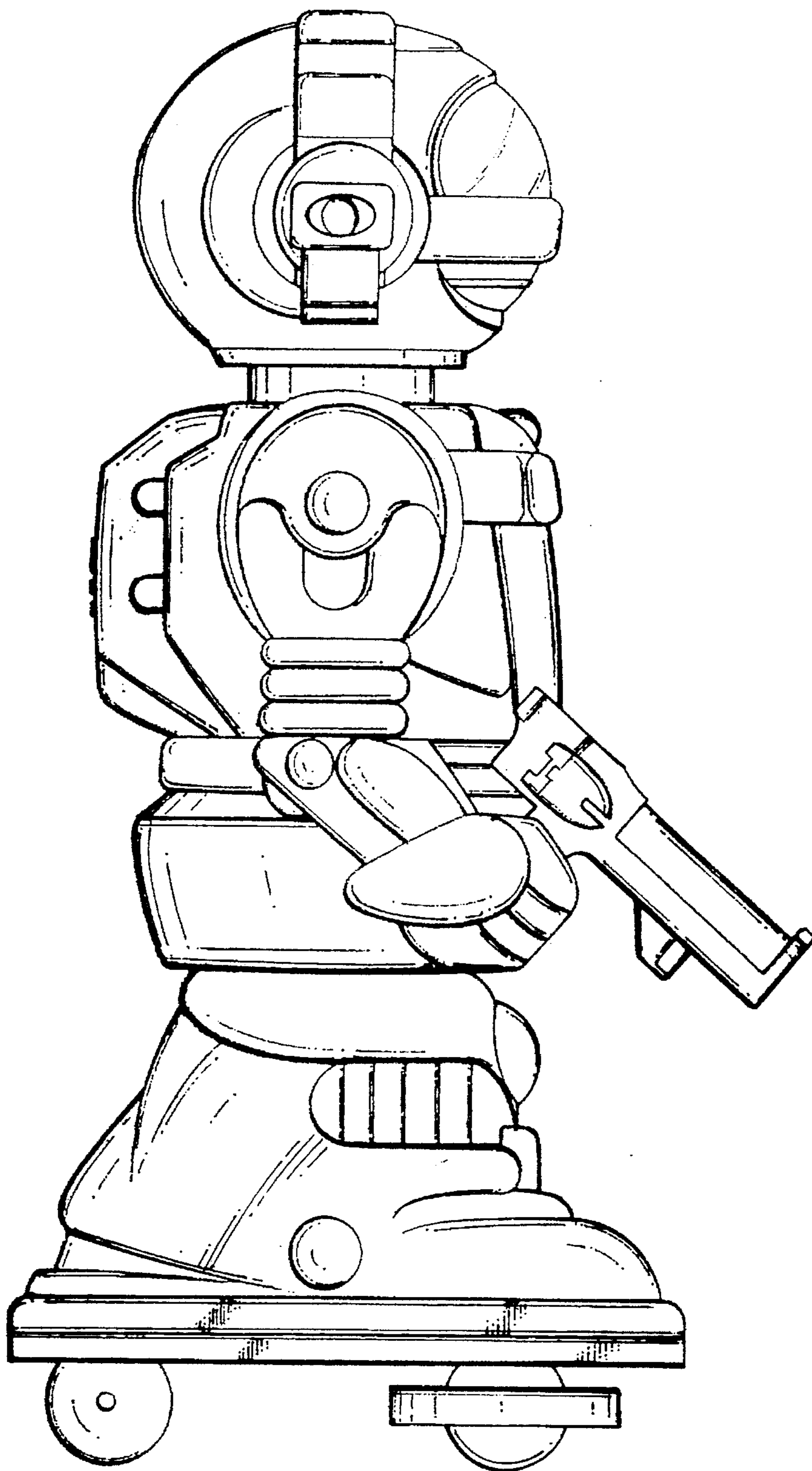


FIG. 4

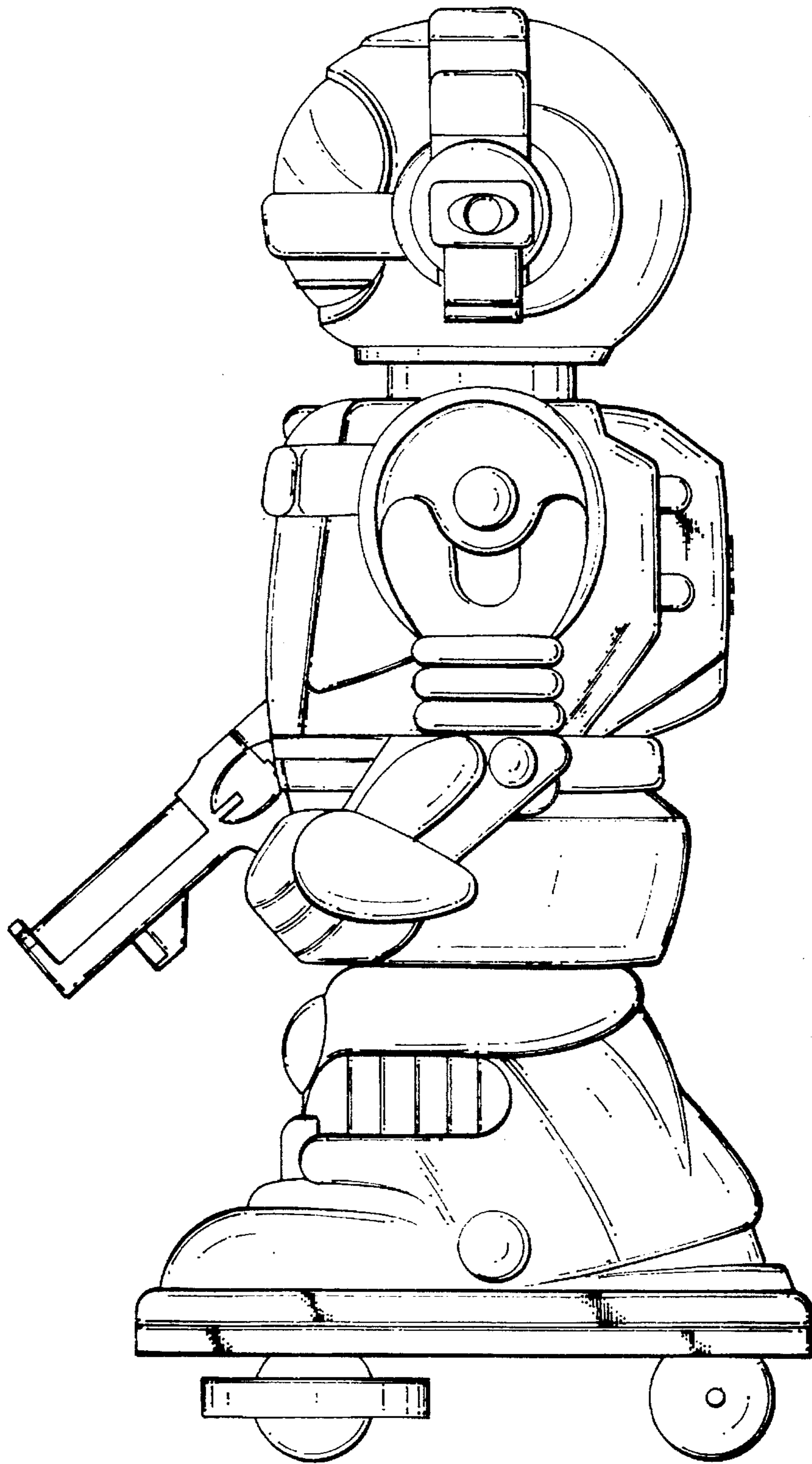


FIG. 5

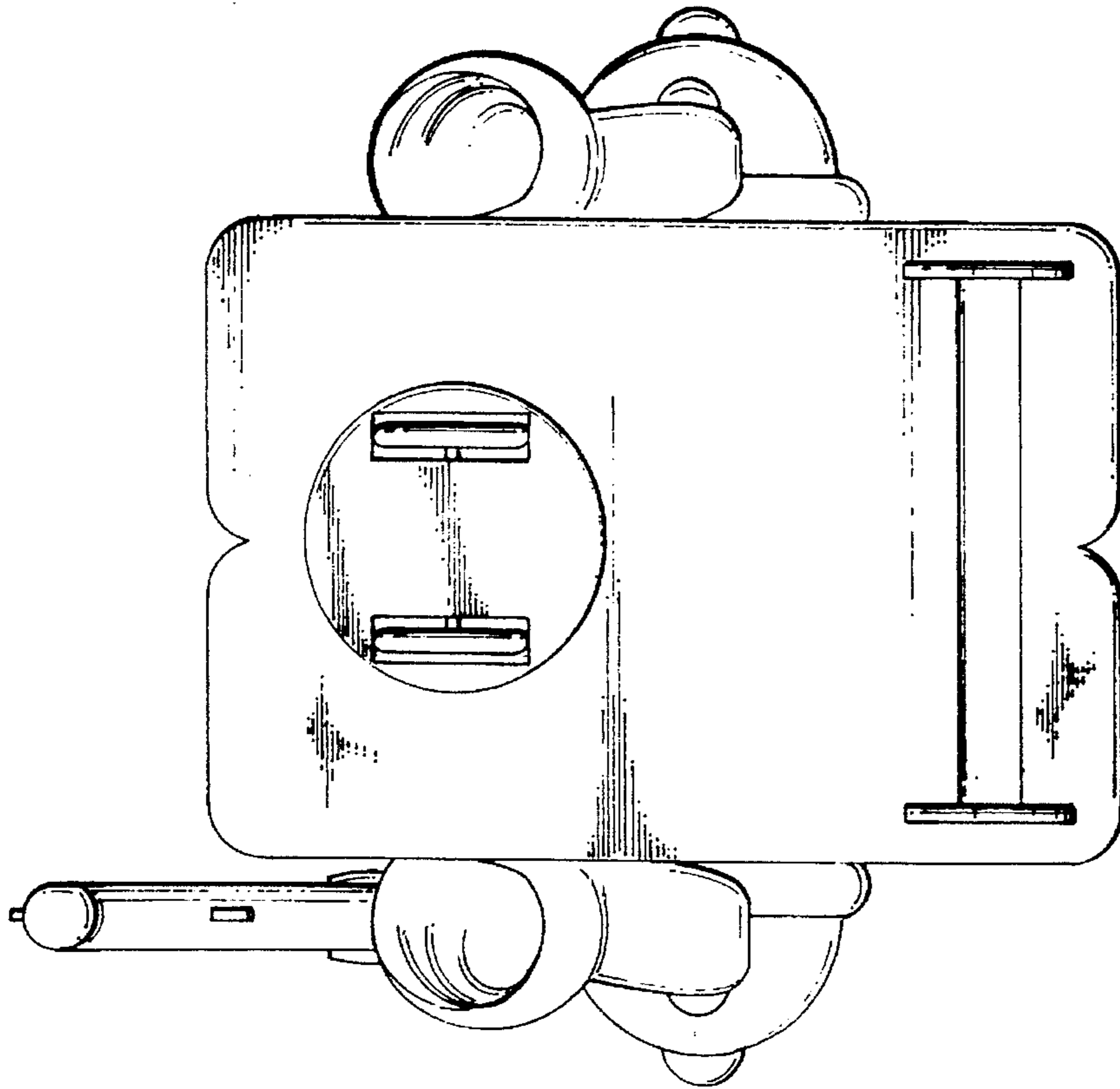


FIG. 7

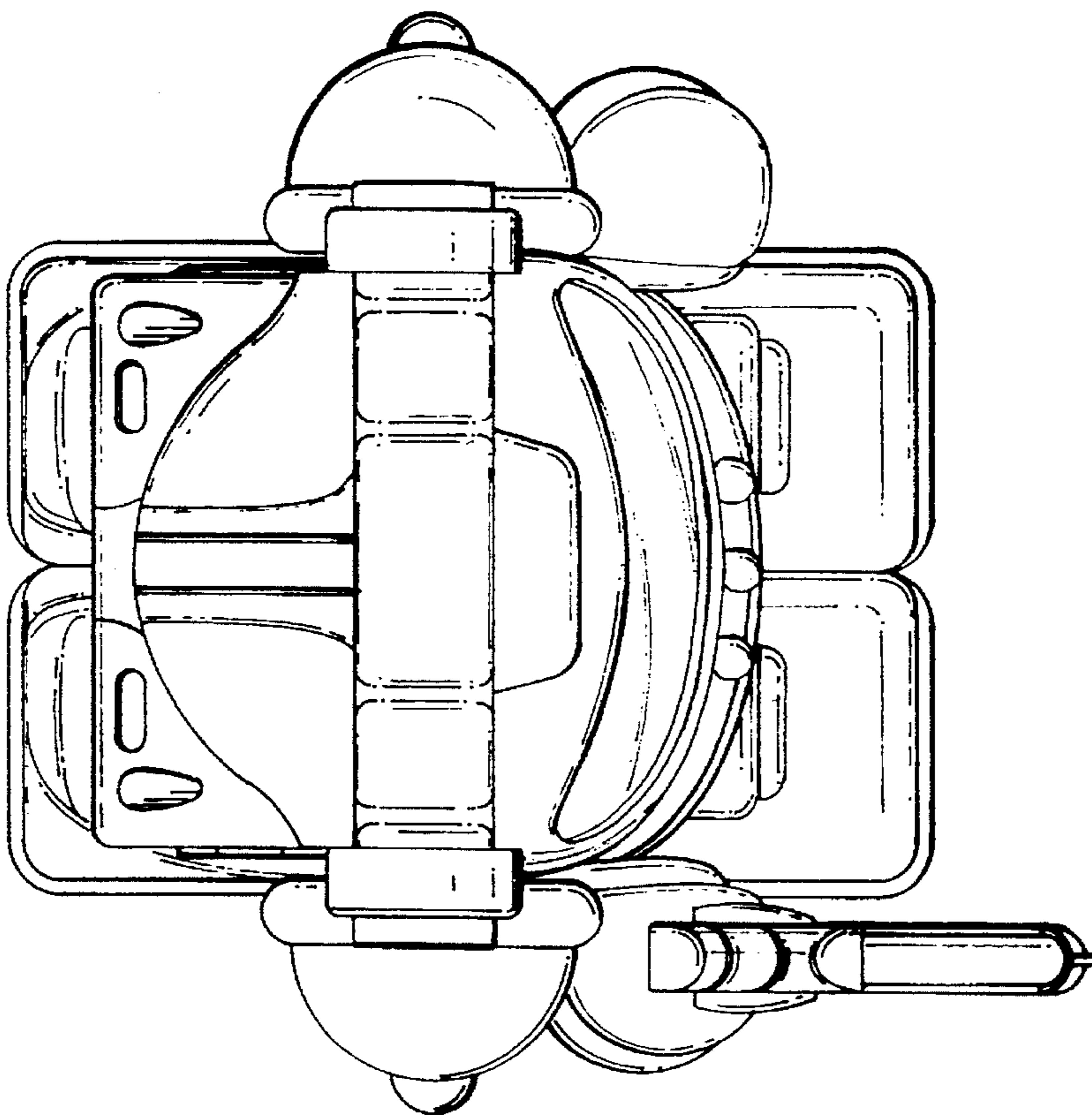


FIG. 6