



US00D371172S

United States Patent [19]

Foreshew

[11] Patent Number: **Des. 371,172**

[45] Date of Patent: ****Jun. 25, 1996**

[54] **PUZZLE BOX**

[76] Inventor: **David A. Foreshew**, 3306 Hwy 144 West, Chelmsford, Ontario, Canada, POM 1L0

[**] Term: **14 Years**

[21] Appl. No.: **43,052**

[22] Filed: **Aug. 24, 1995**

[52] U.S. Cl. **D21/104; D21/241; 472/71**

[58] Field of Search **D21/59, 104, 240, D21/241; 472/57, 72; 273/153 R**

[56] **References Cited**

U.S. PATENT DOCUMENTS

D. 128,162	7/1941	Franke	D21/241
D. 140,417	2/1945	Franke	D21/241
793,986	7/1905	Burn	472/71
2,199,818	5/1940	Franke	472/71
2,498,298	2/1950	Renz	472/71

Primary Examiner—Dominic Simone
Attorney, Agent, or Firm—Thomas Adams

[57] **CLAIM**

The ornamental design for a puzzle box, as shown and described.

DESCRIPTION

FIG. 1 is an exploded top plan view of a puzzle box showing my new design;

FIG. 2 is an exploded top perspective view thereof;

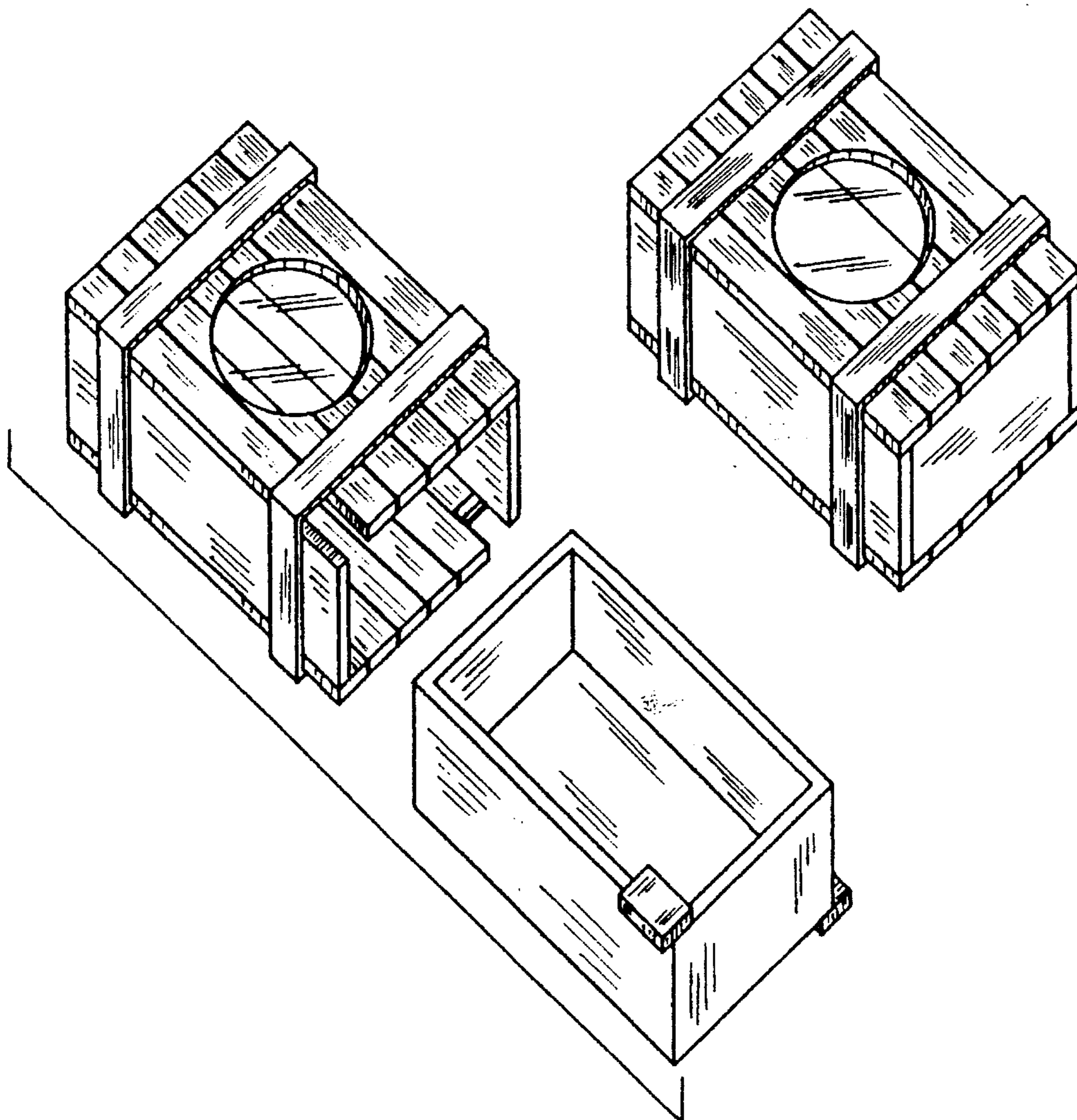
FIG. 3 is an inverted, exploded perspective view thereof;

FIG. 4 is a top perspective view thereof, in a fully assembled condition; and,

FIG. 5 is an inverted perspective view of the outer sleeve, shown separately for clarity of illustration.

The inner surfaces of the drawer sides and ends are plain and the parallel grooves of the inner surfaces of the top and bottom of the outer sleeve extend throughout the length.

1 Claim, 1 Drawing Sheet



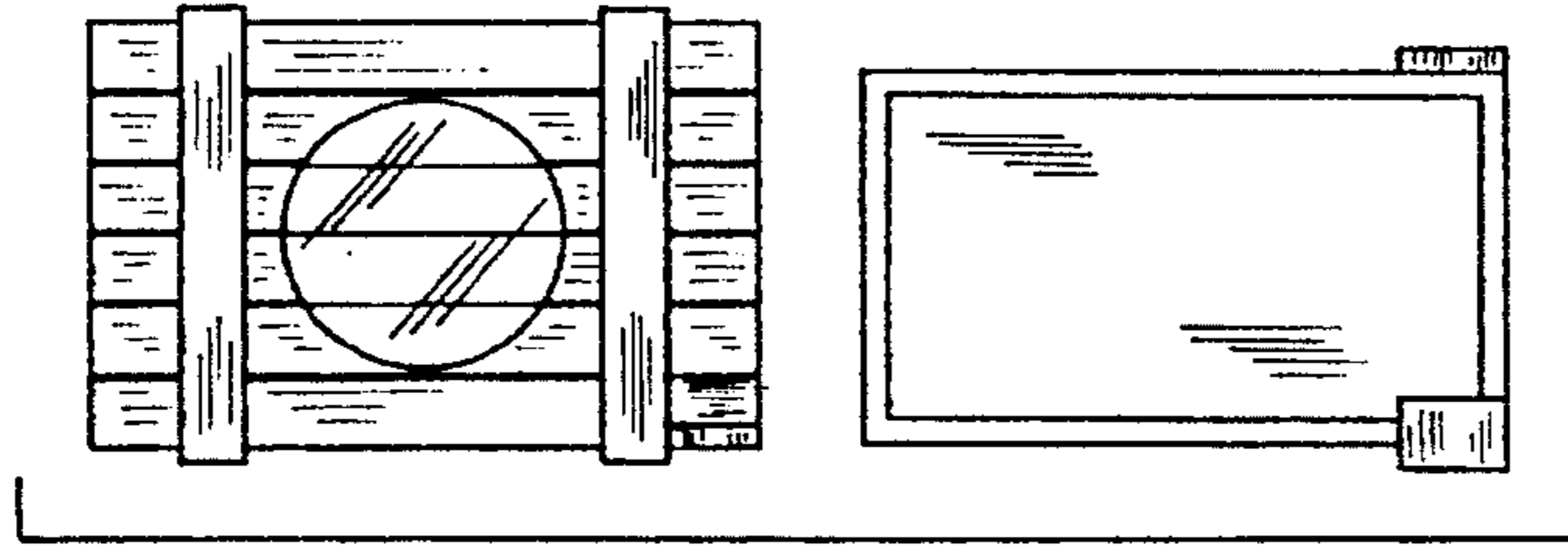


FIG. 1

FIG. 2

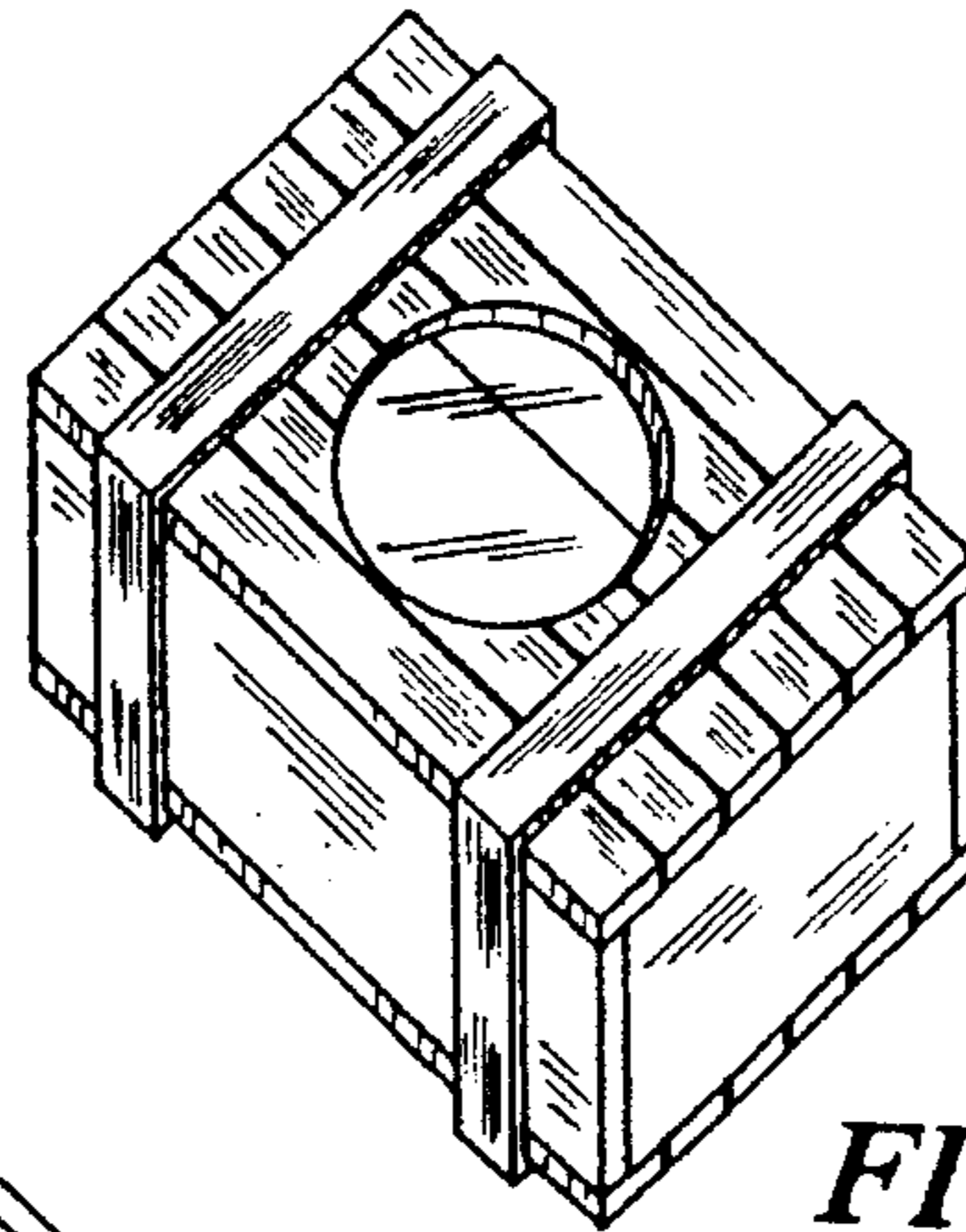
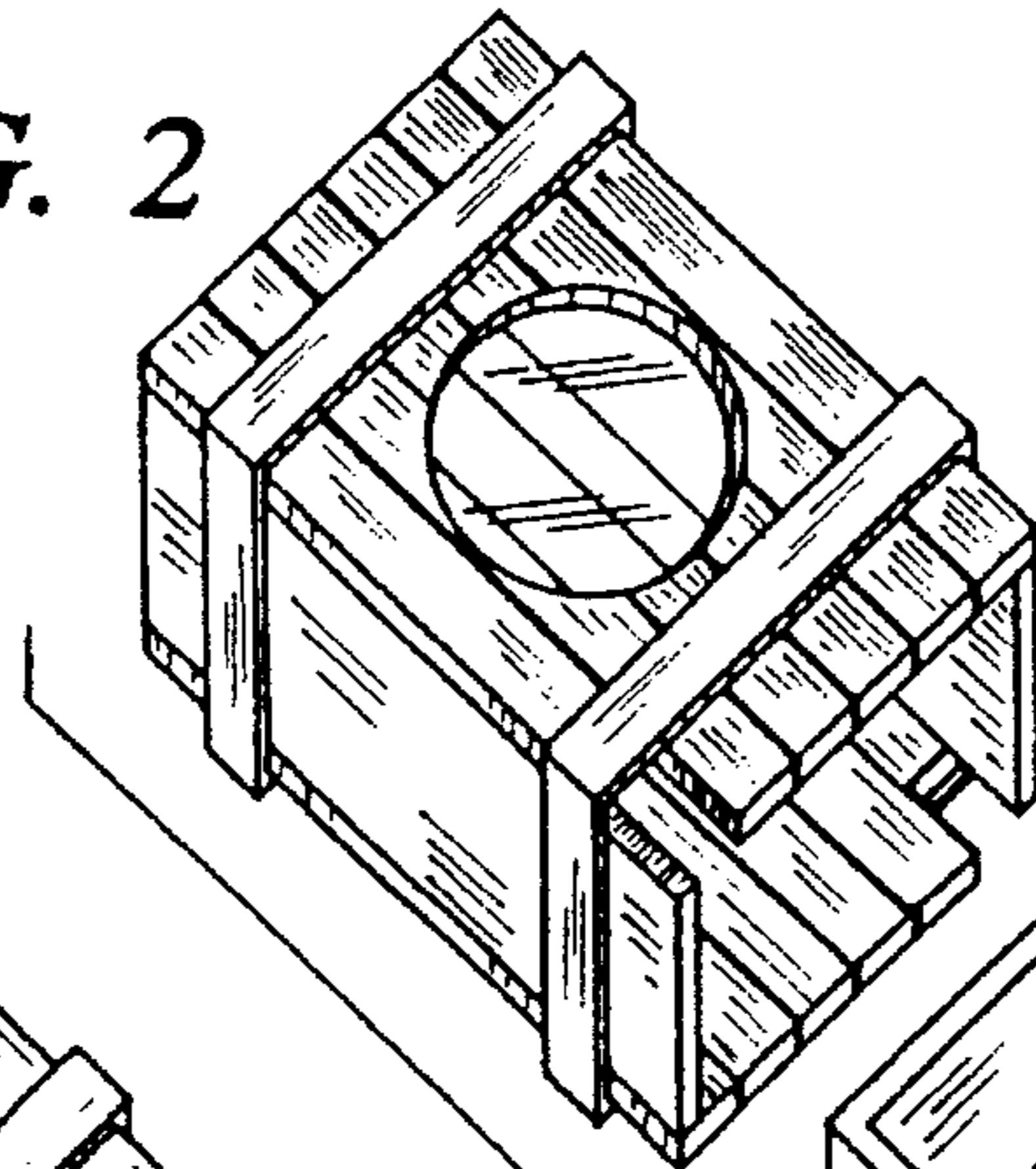


FIG. 4

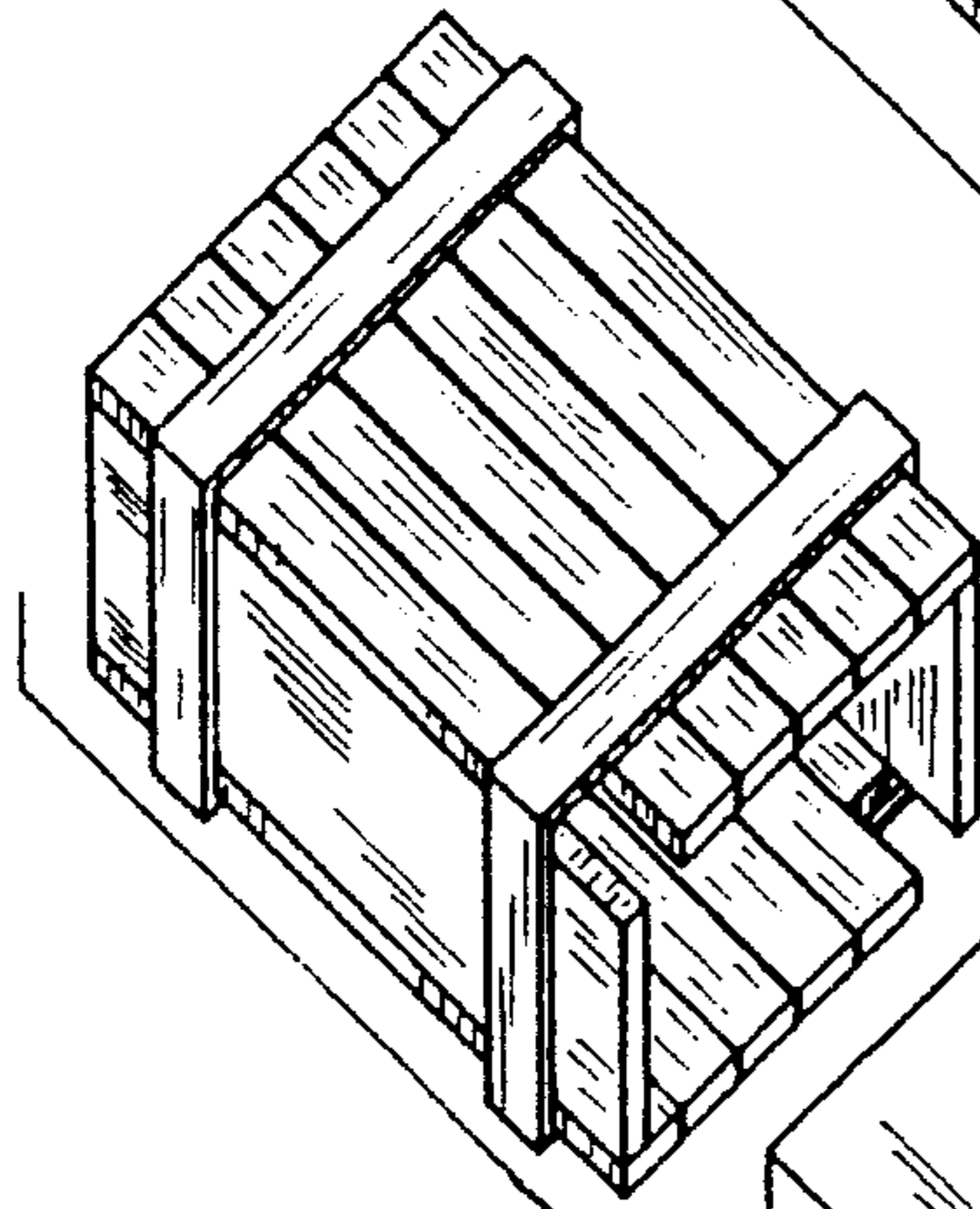


FIG. 3

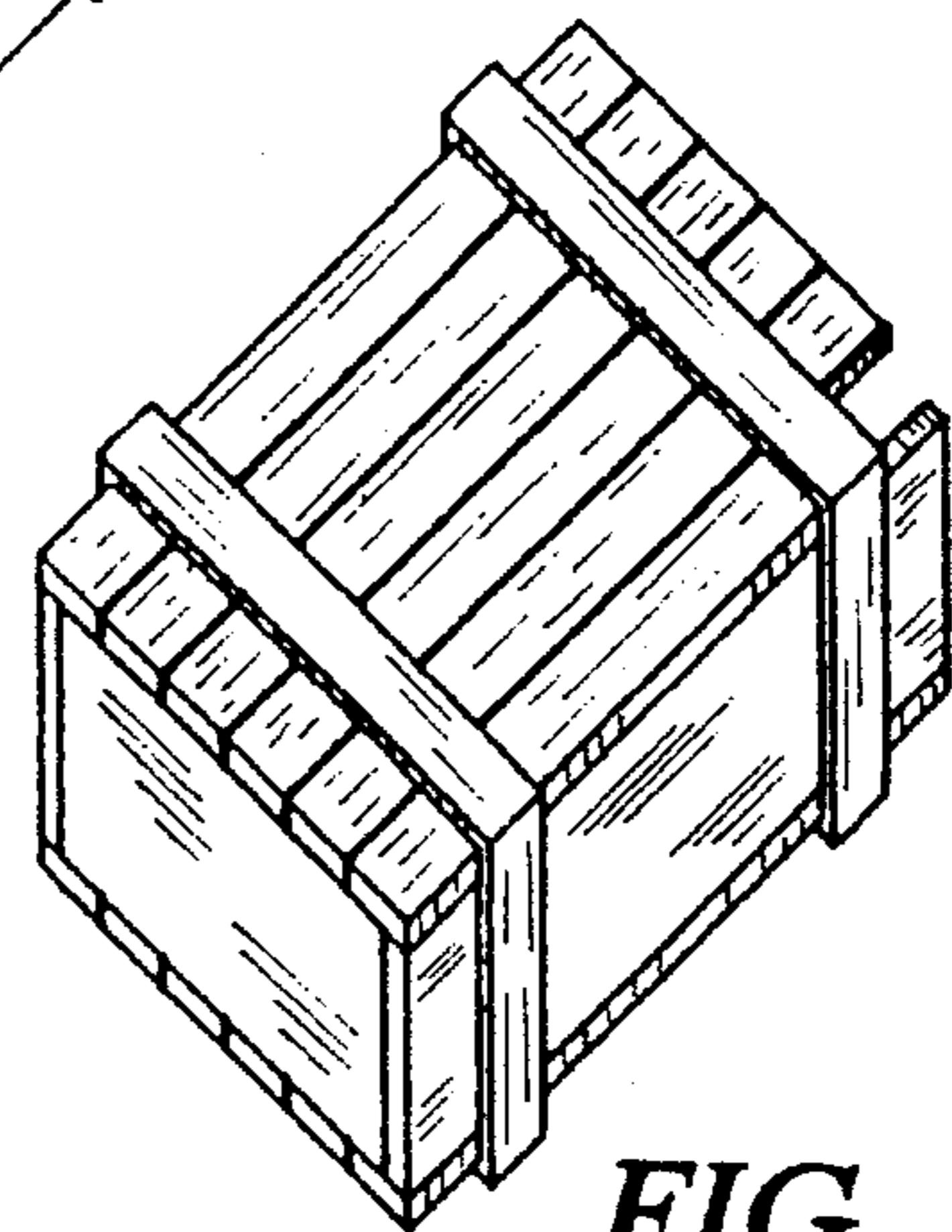
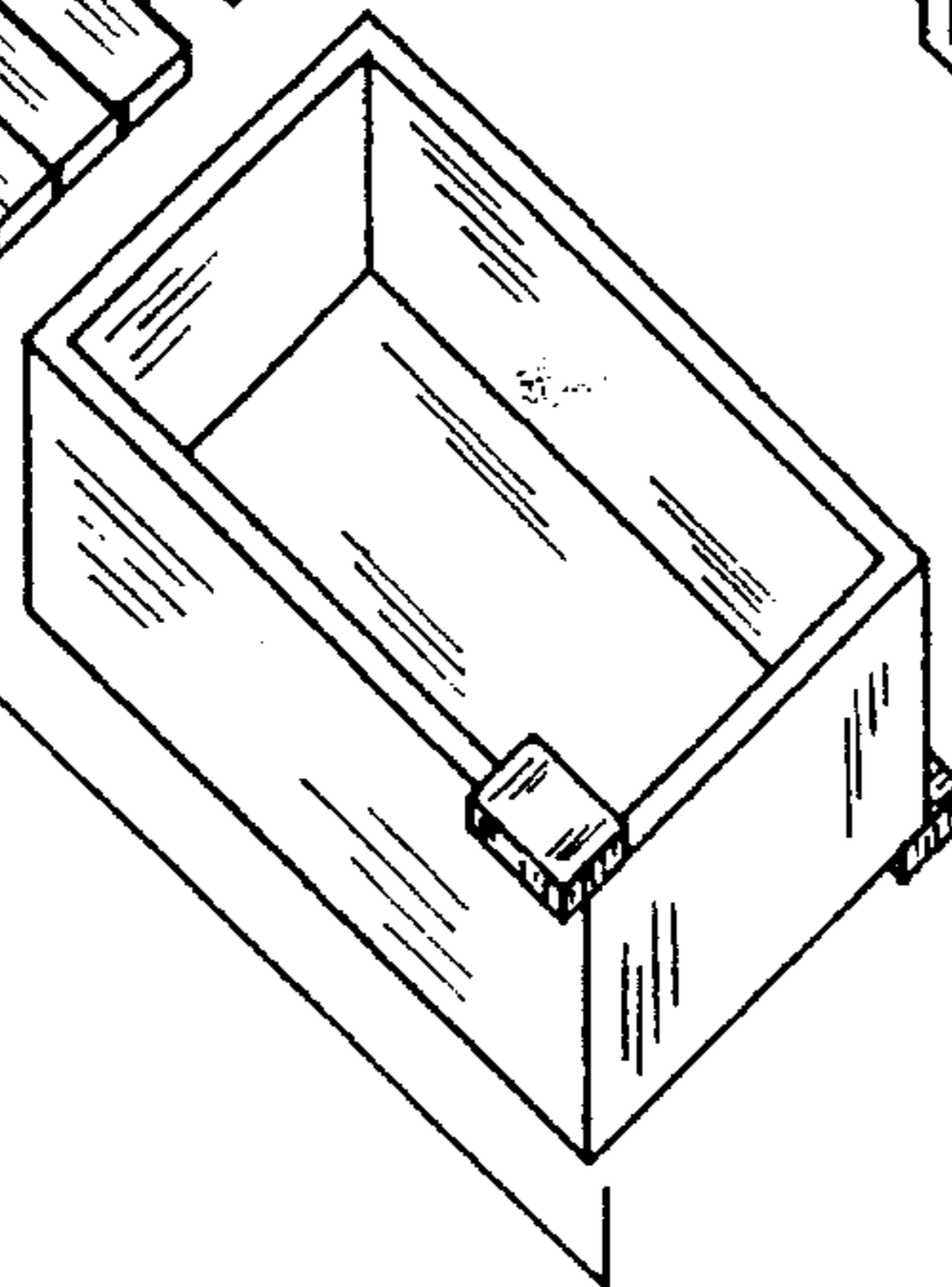


FIG. 5