



US00D371170S

United States Patent [19] Melandow

[11] Patent Number: **Des. 371,170**

[45] Date of Patent: ****Jun. 25, 1996**

[54] **MUSICAL MOBILE**

D. 300,437 3/1989 Capper et al. D21/63

[76] Inventor: **Cassandra E. Melandow**, 660
Bluerock Rd., Gardnerville, Nev. 89410

Primary Examiner—Dominic Simone

[**] Term: **14 Years**

[57] CLAIM

[21] Appl. No.: **39,515**

The ornamental design for a musical mobile, as shown and described.

[22] Filed: **May 30, 1995**

DESCRIPTION

[52] U.S. Cl. **D21/63**

FIG. 1 is a front elevational view of the musical mobile showing my new design;

[58] Field of Search D21/62, 63, 64;
446/213, 215, 217, 227-229; D17/24

FIG. 2 is a rear elevational view thereof;

FIG. 3 is a left side elevational view thereof;

FIG. 4 is a right side elevational view thereof;

FIG. 5 is a top plan view thereof; and,

FIG. 6 is a bottom plan view thereof.

[56] References Cited

U.S. PATENT DOCUMENTS

D. 278,446 4/1985 Kiyawski et al. D21/63
D. 282,383 1/1986 Nakao et al. D21/63

1 Claim, 4 Drawing Sheets

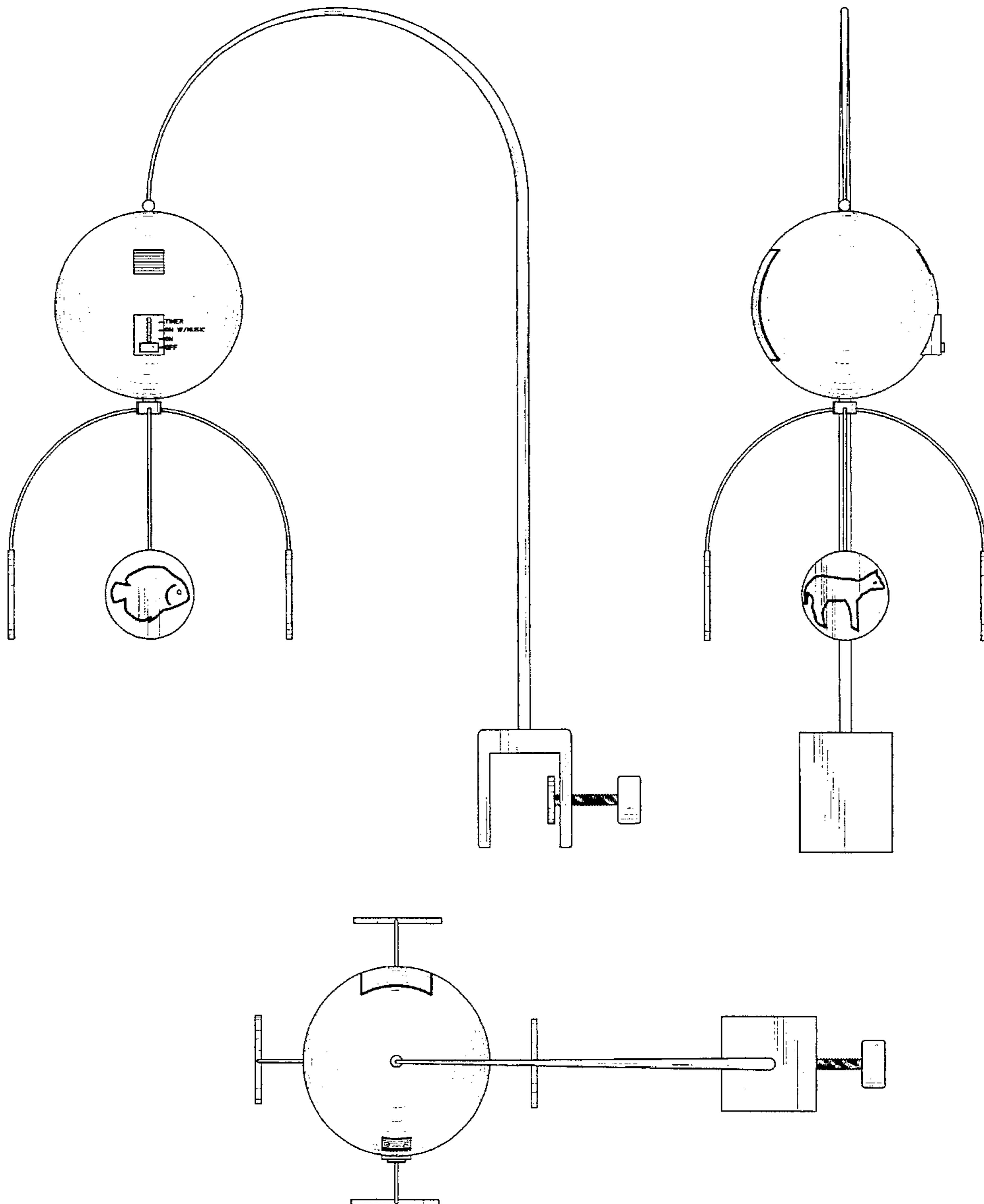


FIG. 1

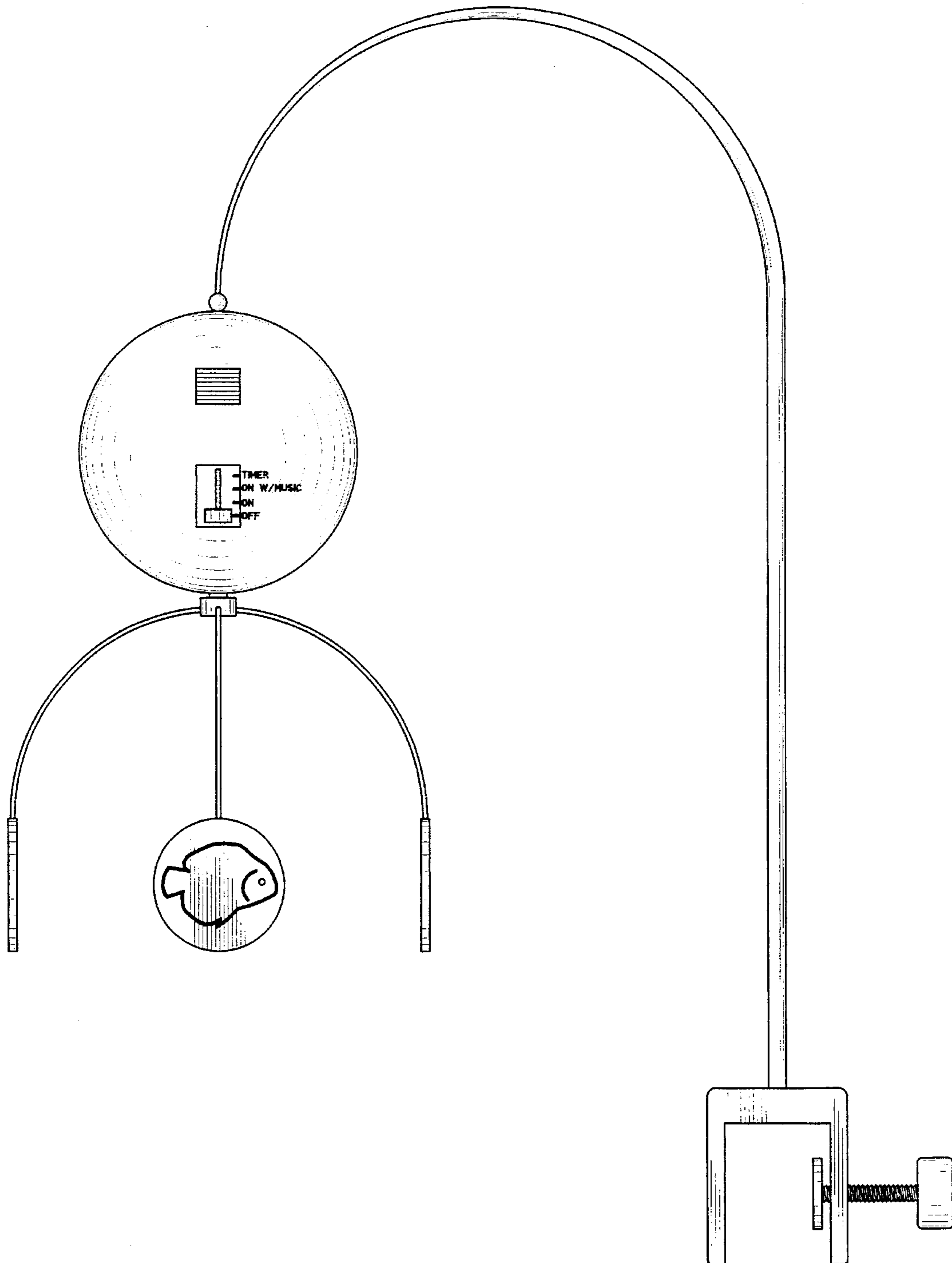


FIG. 2

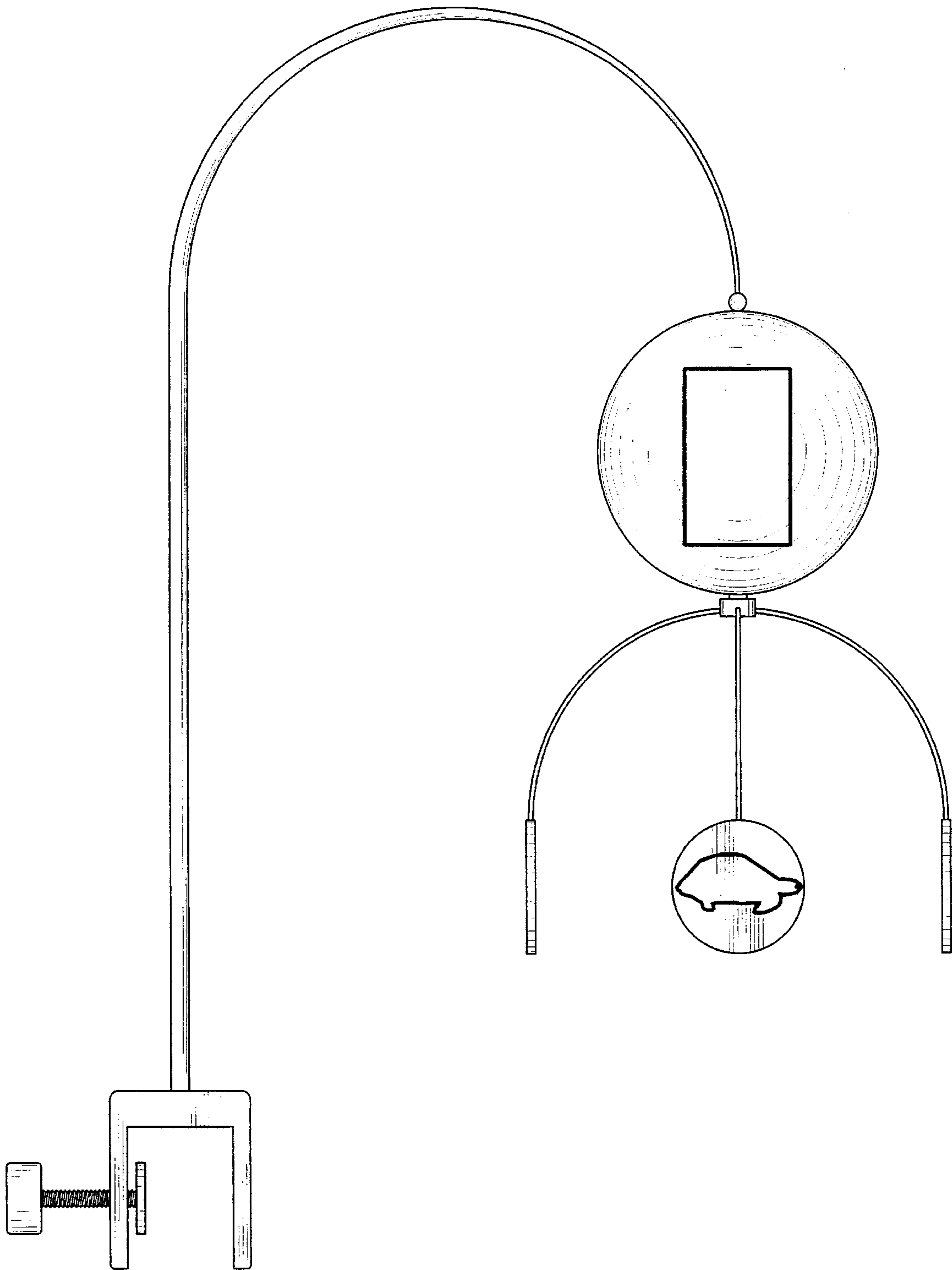


FIG. 3

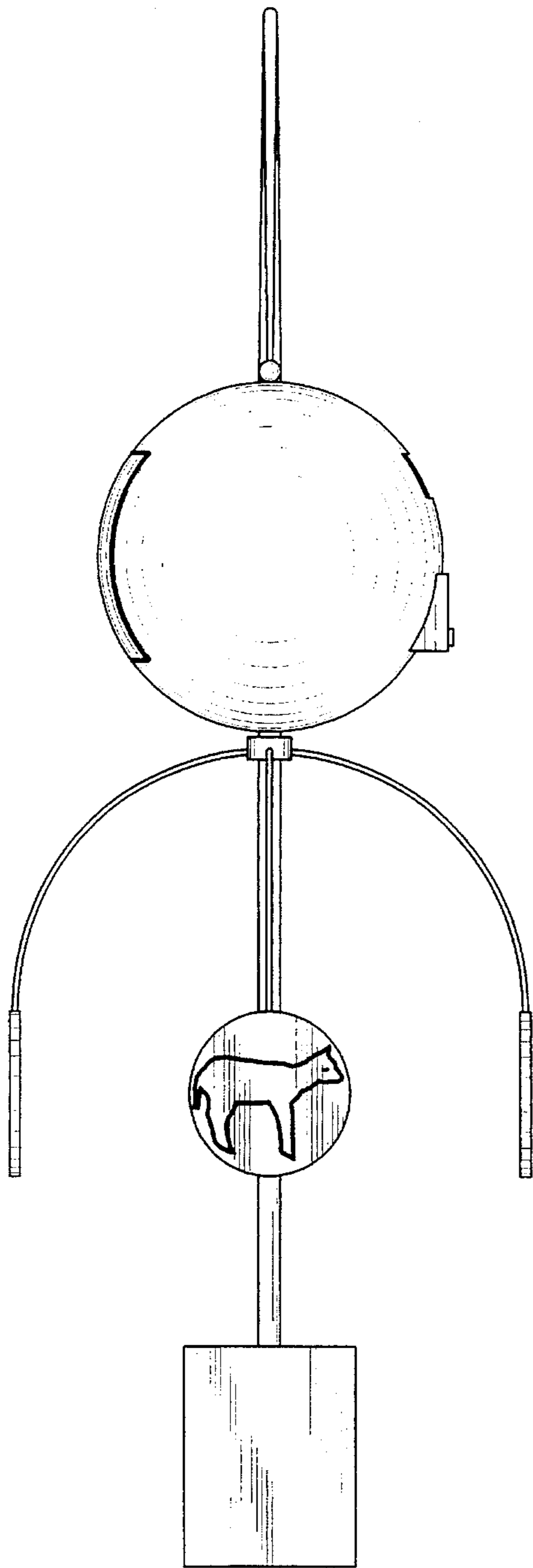


FIG. 4

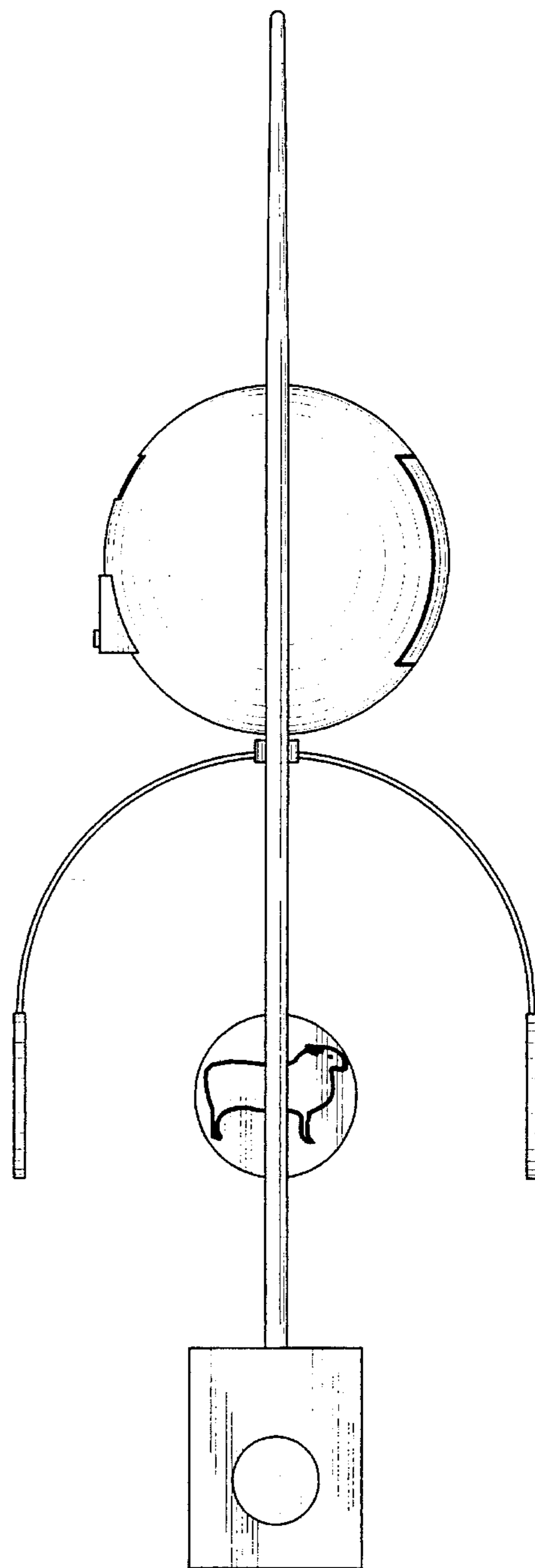


FIG. 5

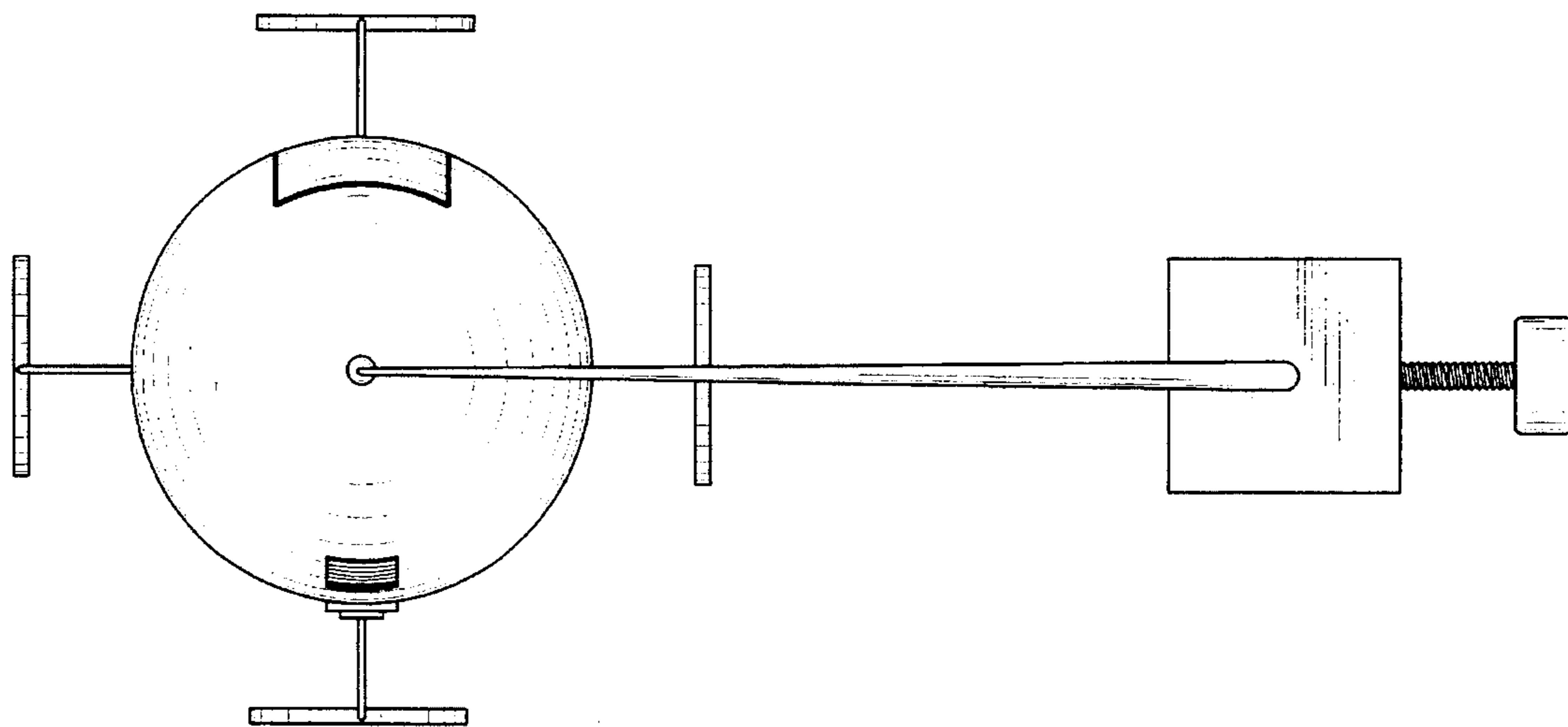


FIG. 6

