



US00D371169S

United States Patent [19]
Patterson

[11] **Patent Number: Des. 371,169**

[45] **Date of Patent: **Jun. 25, 1996**

[54] BUBBLE TUBE	430,095	6/1890	Thain	446/19
	2,205,028	6/1940	Bloxom	446/19
[75] Inventor: Keith D. Patterson , Providence, R.I.	2,305,382	12/1942	Hagopian	446/19
	2,393,039	1/1946	Gilchrist, Jr. .	
[73] Assignee: Little Kids, Inc. , East Providence, R.I.	3,775,899	12/1973	Wolf .	
	3,952,447	4/1976	Hackell .	
[**] Term: 14 Years	4,248,436	2/1981	Corrigan .	

[21] Appl. No.: **38,508**

[22] Filed: **May 5, 1995**

[52] U.S. Cl. **D21/61**

[58] Field of Search D21/59, 61; D17/11;
446/15, 17, 19

Primary Examiner—Dominic Simone
Attorney, Agent, or Firm—Salter & Michaelson

[57] **CLAIM**

The ornamental design for a bubble tube, as shown and described.

[56] **References Cited**

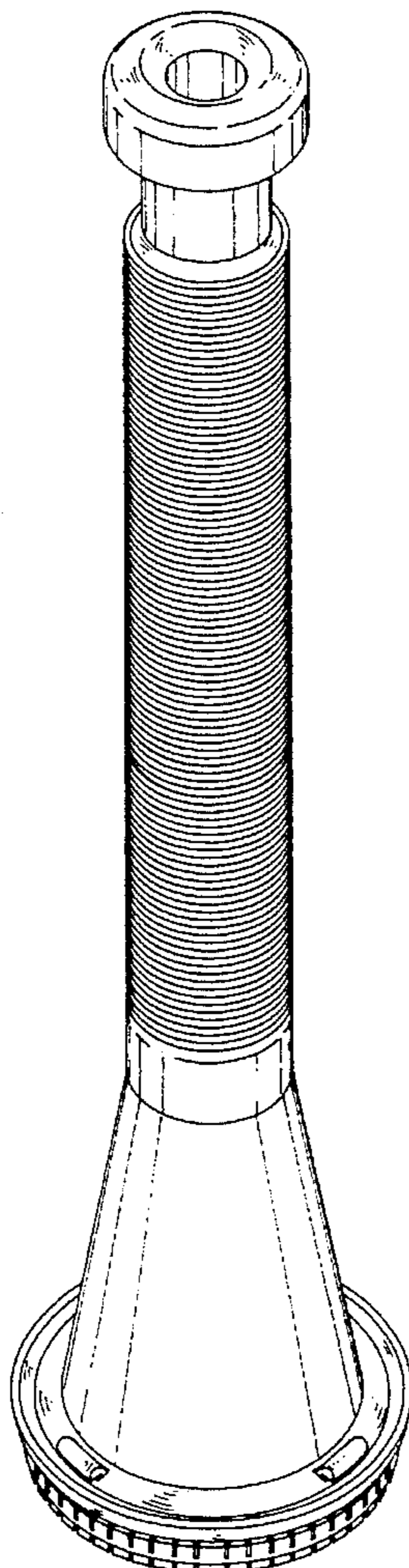
U.S. PATENT DOCUMENTS

158,435	1/1875	Pease .	
D. 168,166	11/1952	Margolis	D21/61
D. 198,857	8/1964	Rabin .	
216,176	6/1879	Greenwalt .	
D. 221,785	9/1971	Ishag .	
D. 271,221	11/1983	Fogarty et al. .	
D. 277,879	3/1985	Brown	D21/61
D. 292,641	11/1987	Jermander .	

DESCRIPTION

FIG. 1 is a perspective view of a bubble tube showing my new design;
FIG. 2 is a front view thereof;
FIG. 3 is a rear view thereof, the left and right views being identical to the front and rear views;
FIG. 4 is a top view thereof; and,
FIG. 5 is a bottom view thereof.

1 Claim, 2 Drawing Sheets



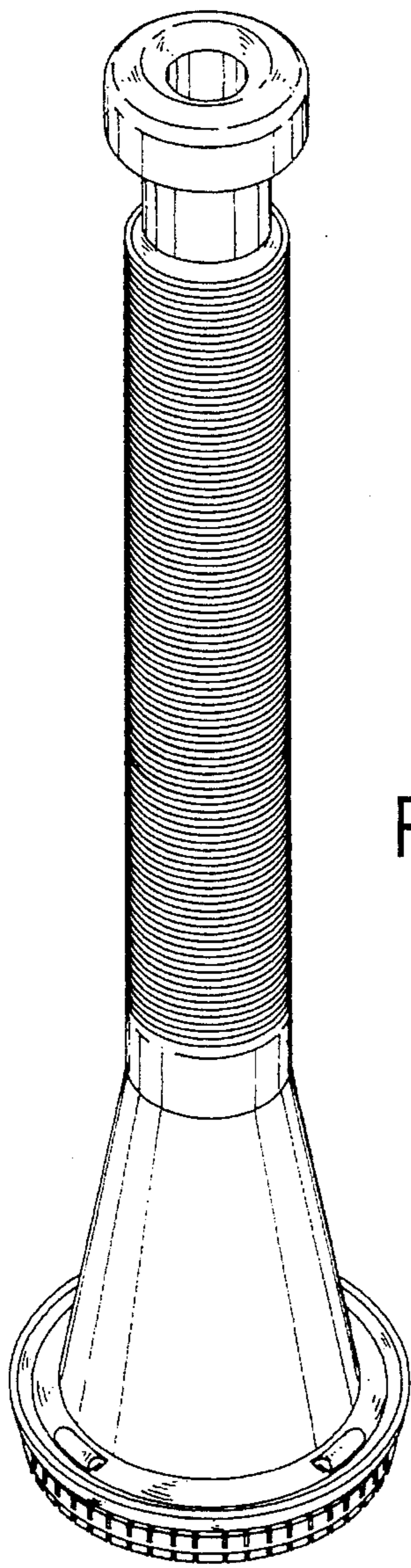


FIG. 1

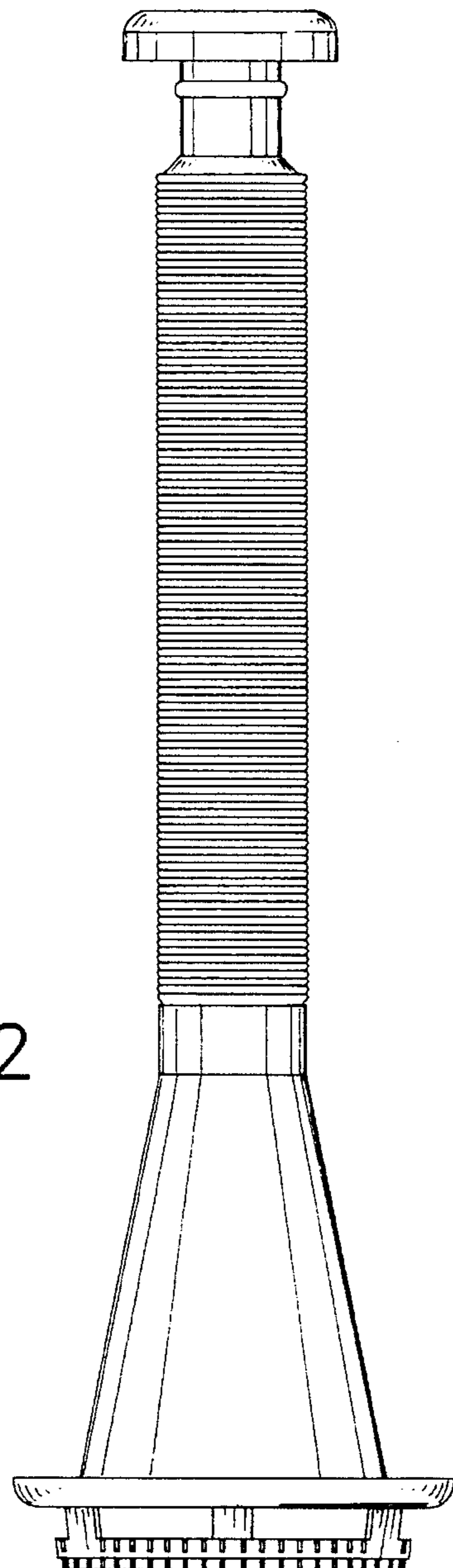


FIG. 2

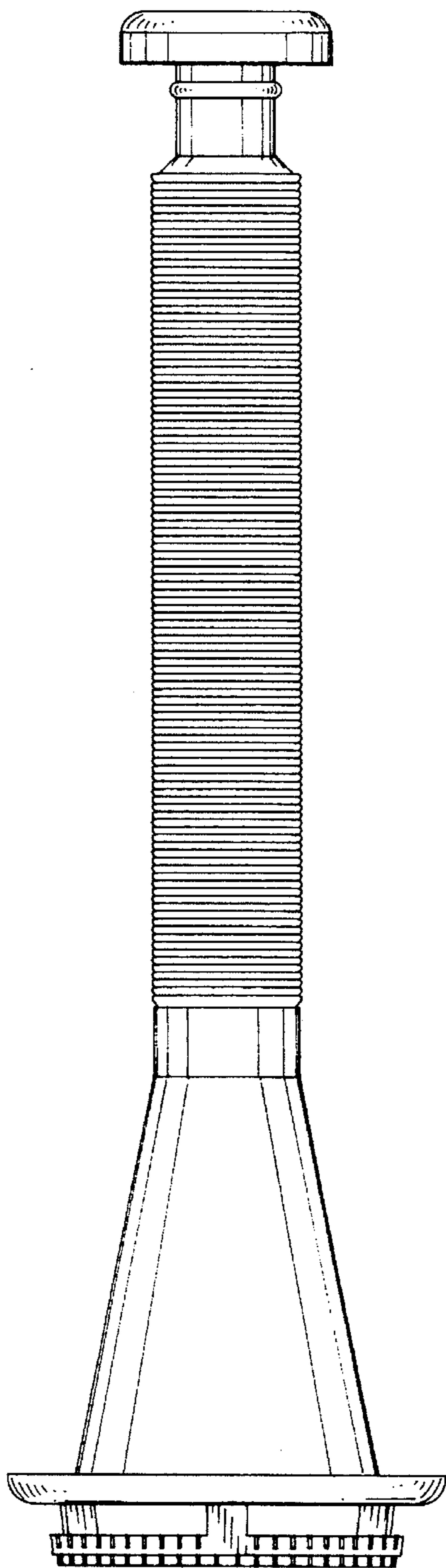


FIG. 3

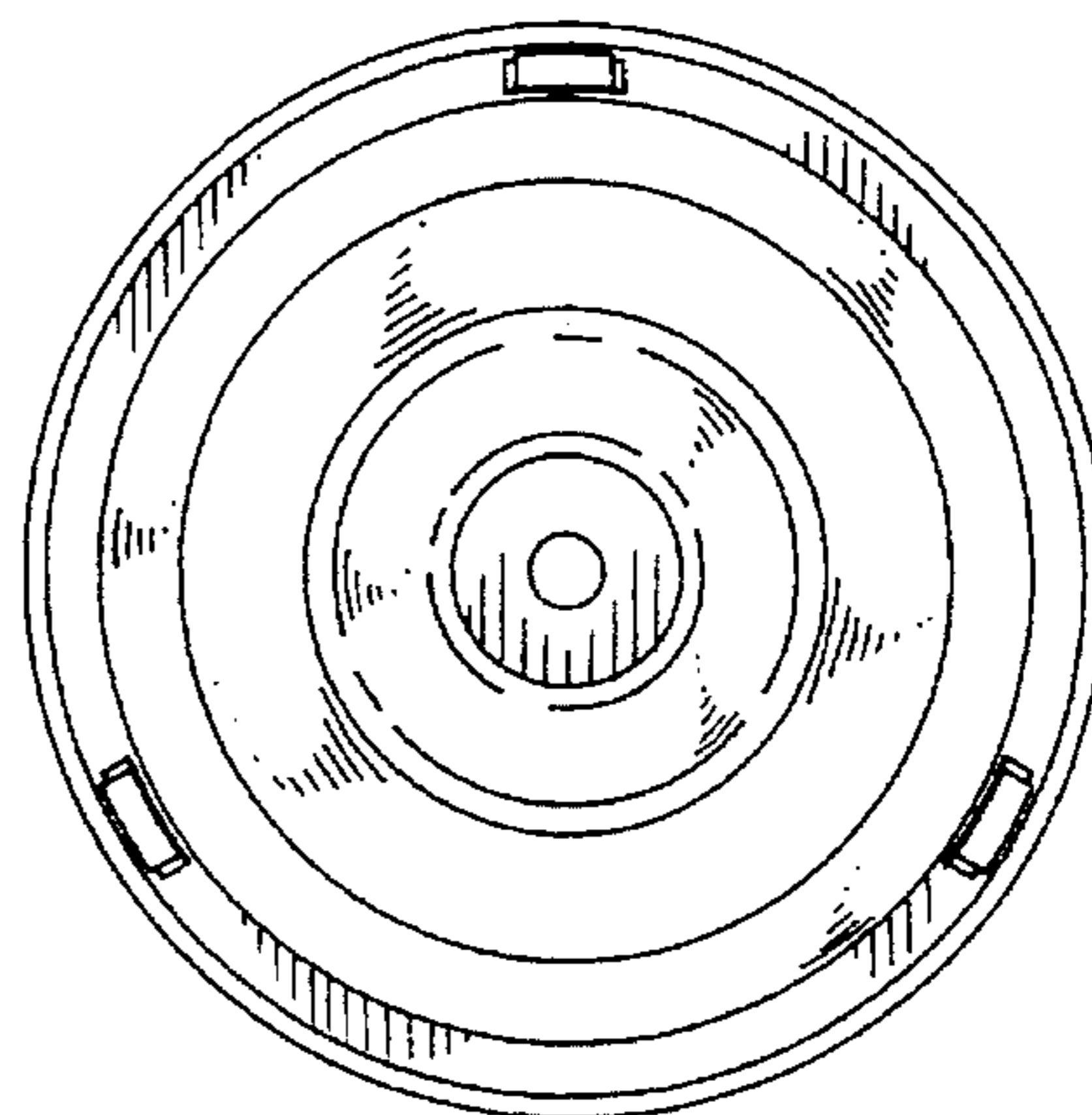


FIG. 4

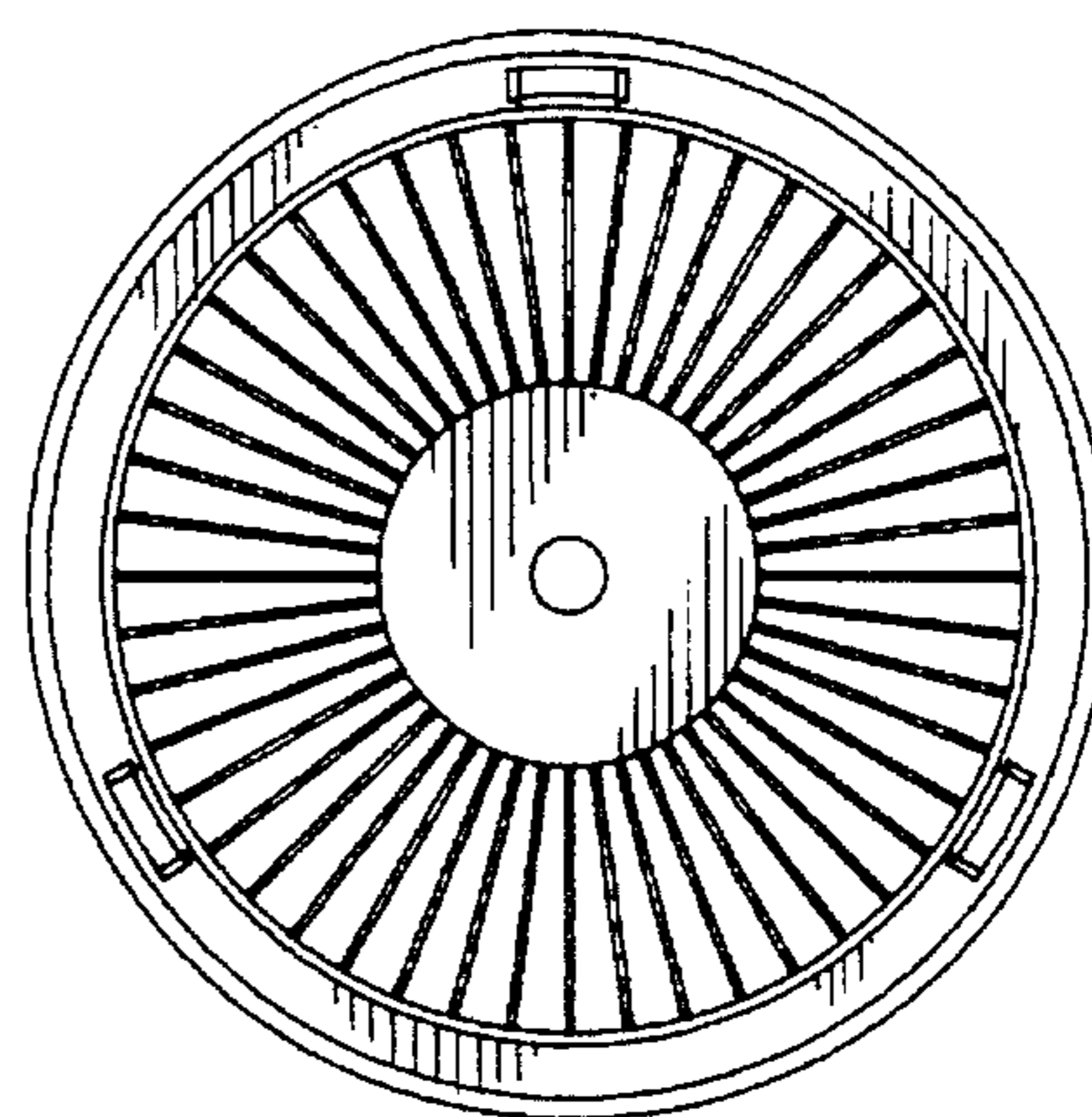


FIG. 5