



US00D371162S

United States Patent [19]

[11] Patent Number: Des. 371,162

Poudel

[45] Date of Patent: **Jun. 25, 1996

[54] SET OF CAPSULES AND CASE THEREFOR FOR TEACHING THE PERIODIC TABLE OF ELEMENTS

[76] Inventor: Bharat R. S. Poudel, Nagatinskaya 2-2, 115487 Moscow, Russian Federation

[**] Term: 14 Years

[21] Appl. No.: 8,688

[22] Filed: May 21, 1993

[52] U.S. Cl. D19/64

[58] Field of Search D19/59, 62, 64; 402/75; 434/430, 429, 310, 324, 309, 324, 282, 224; D20/10, 39; 40/391, 380, 383; 206/45.29, 455

[56] References Cited

U.S. PATENT DOCUMENTS

D. 134,475	12/1942	Emanuel	D19/59
D. 229,563	12/1973	Sirkin	D19/59
D. 328,498	8/1992	Runquist et al.	D19/62
763,926	6/1904	Powers	434/430 X
1,591,639	7/1926	McDonald	434/172 X
3,654,712	4/1972	Bagdasar	434/172 X

Primary Examiner—A. Hugo Word
Assistant Examiner—Pamela Burgess
Attorney, Agent, or Firm—Ladas & Parry

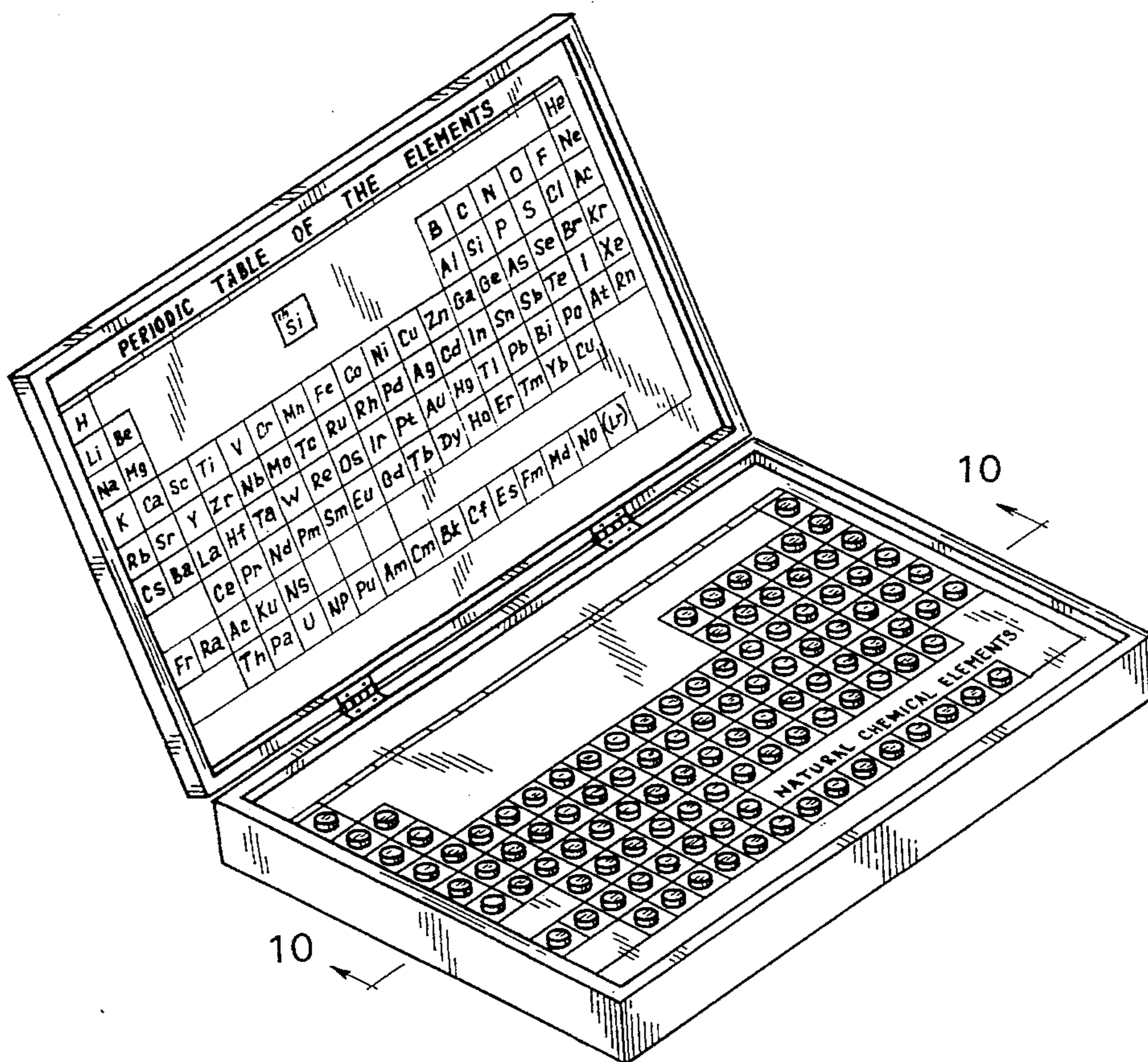
[57] CLAIM

The ornamental design for a set of capsules and case therefor for teaching the periodic table of elements, as shown and described.

DESCRIPTION

FIG. 1 is a front perspective view of a set of capsules and case therefor for teaching the periodic table of elements showing my new design with the case closed; FIG. 2 is a front perspective view thereof with the case opened; FIG. 3 is a front elevational view thereof with the case closed; FIG. 4 is a bottom plan view thereof with the case closed; FIG. 5 is a top plan view thereof with the case closed; FIG. 6 is a rear elevational view thereof with the case closed; FIG. 7 is a left side elevational view thereof with the case closed, the right side elevational view thereof being a mirror image and, therefore, not being shown; FIG. 8 is a front perspective view of an individual capsule thereof; FIG. 9 is a front perspective view thereof with the case opened and with all the capsules removed therefrom; FIG. 10 is a sectional view taken along line 10—10 in FIG. 2 showing a portion of the case with the capsules therein; and, FIG. 11 is a top plan view showing the case in opened condition.

1 Claim, 11 Drawing Sheets



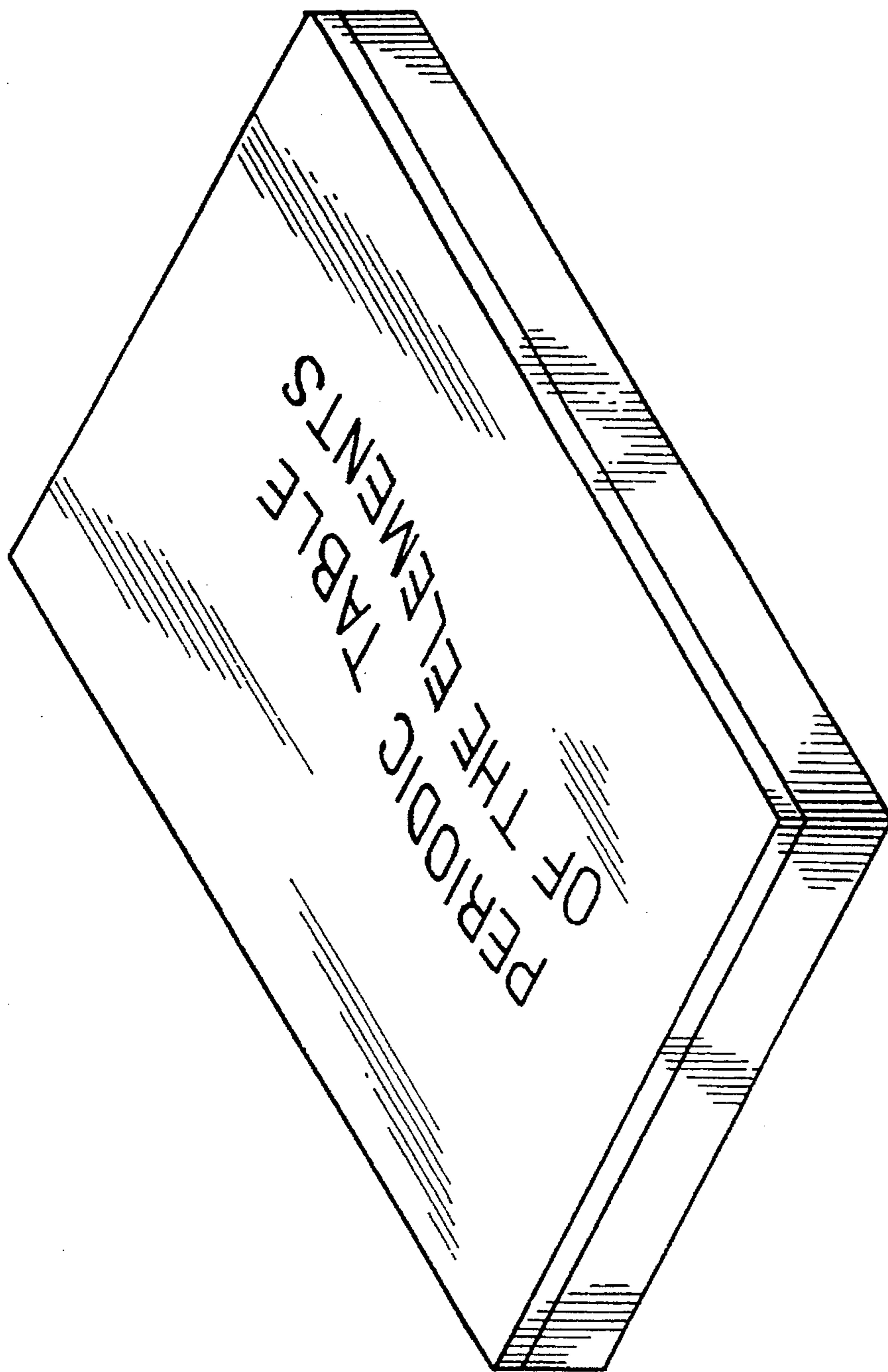


FIG. 1

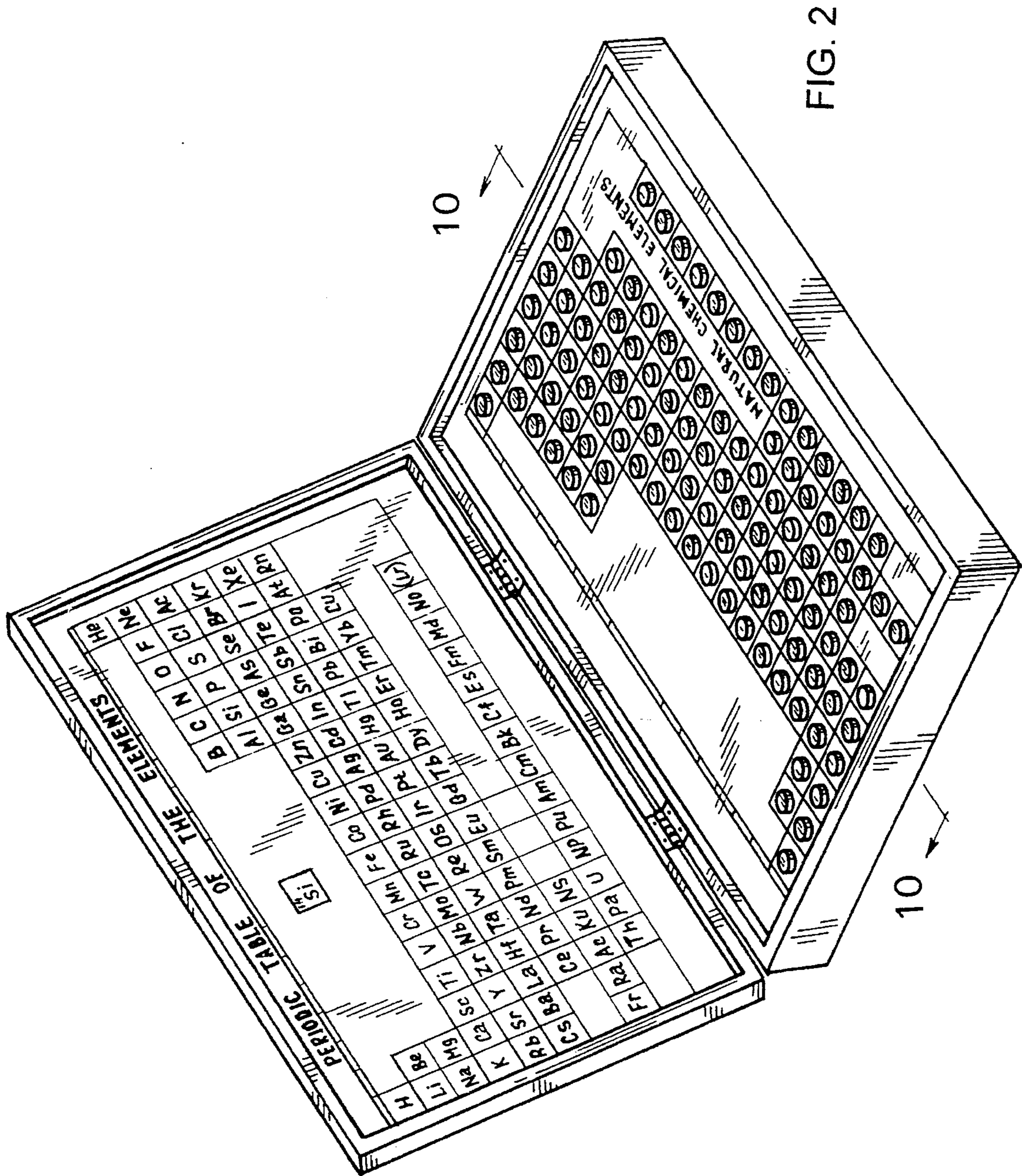


FIG. 2

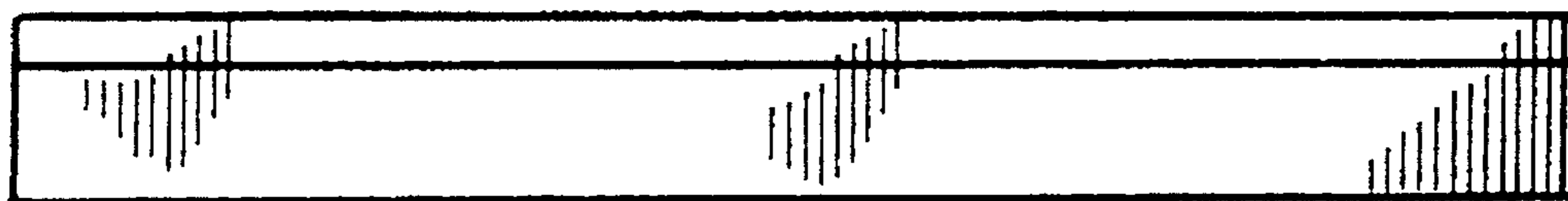


FIG. 3



FIG. 4

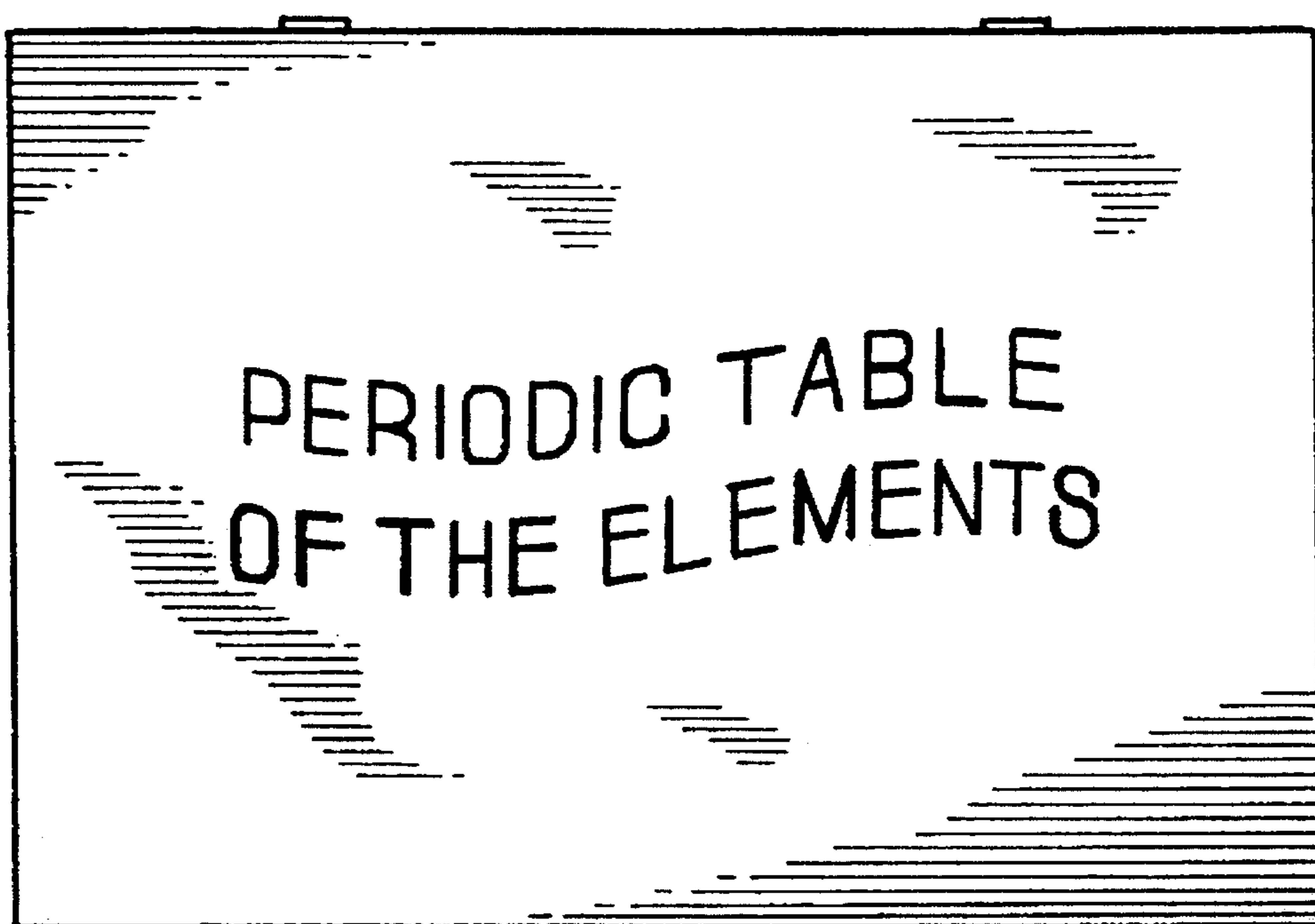


FIG. 5



FIG. 6

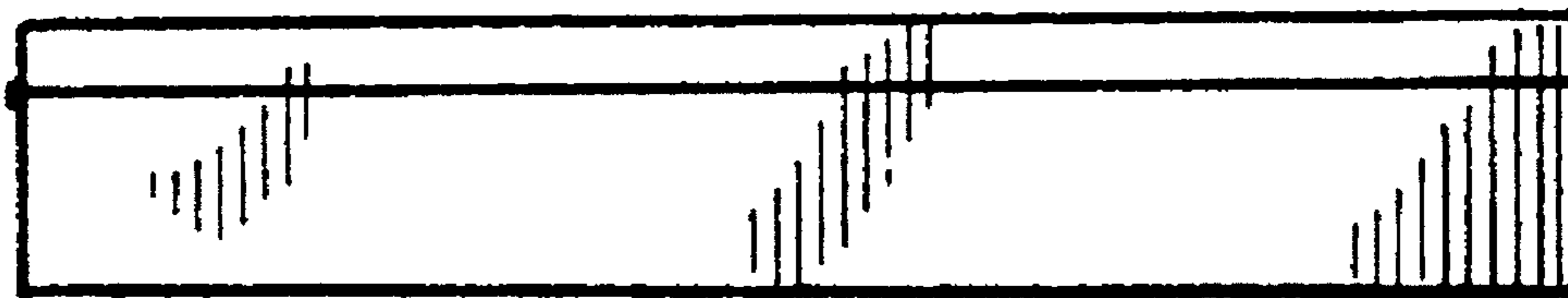


FIG. 7

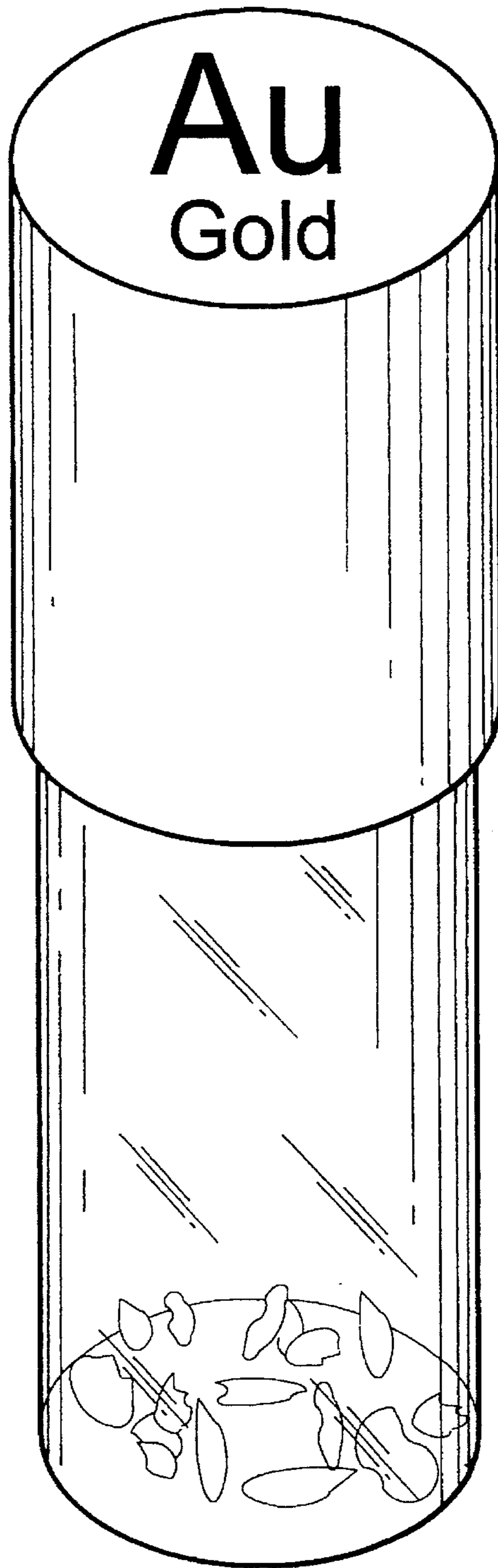
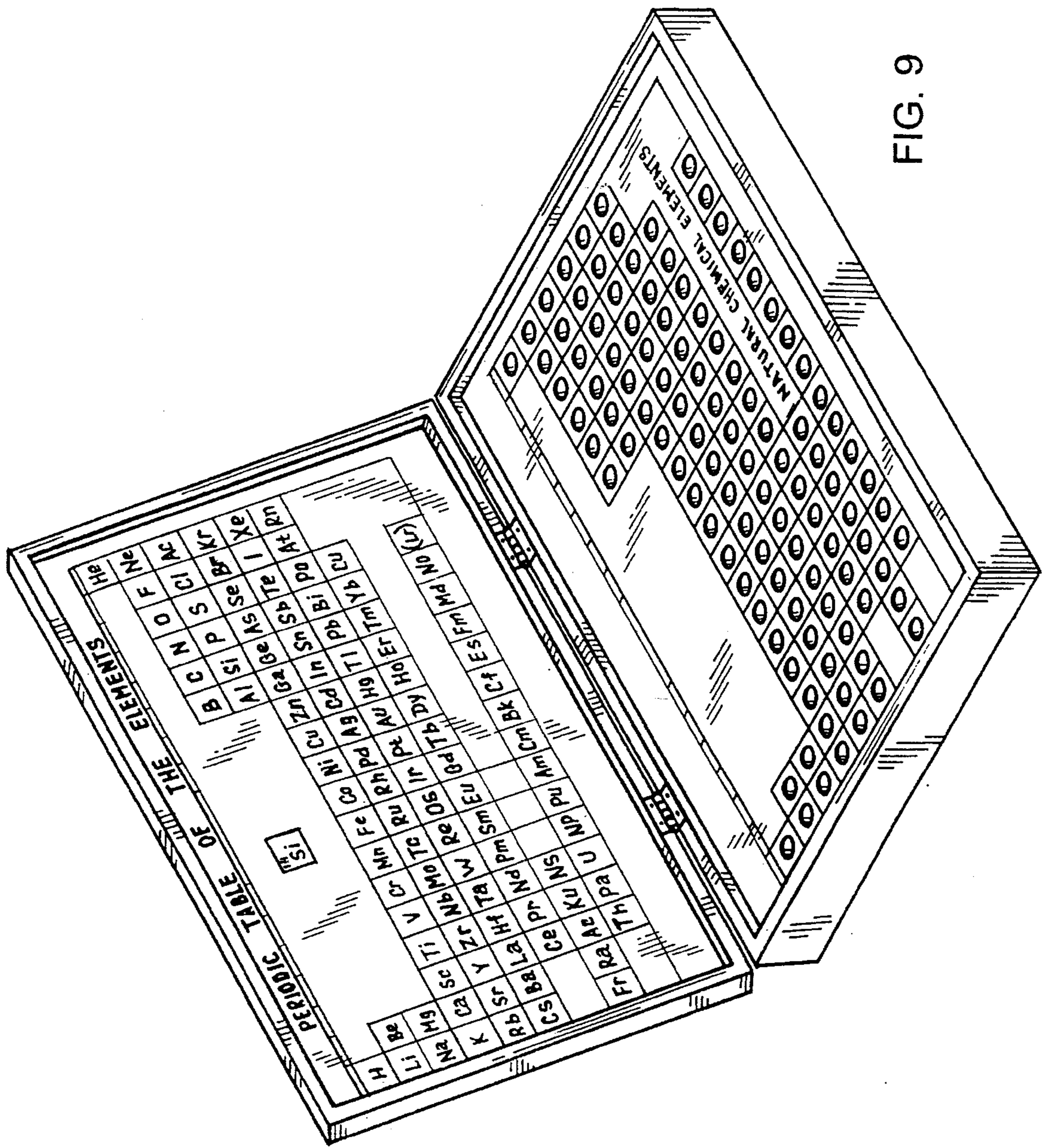


FIG. 8



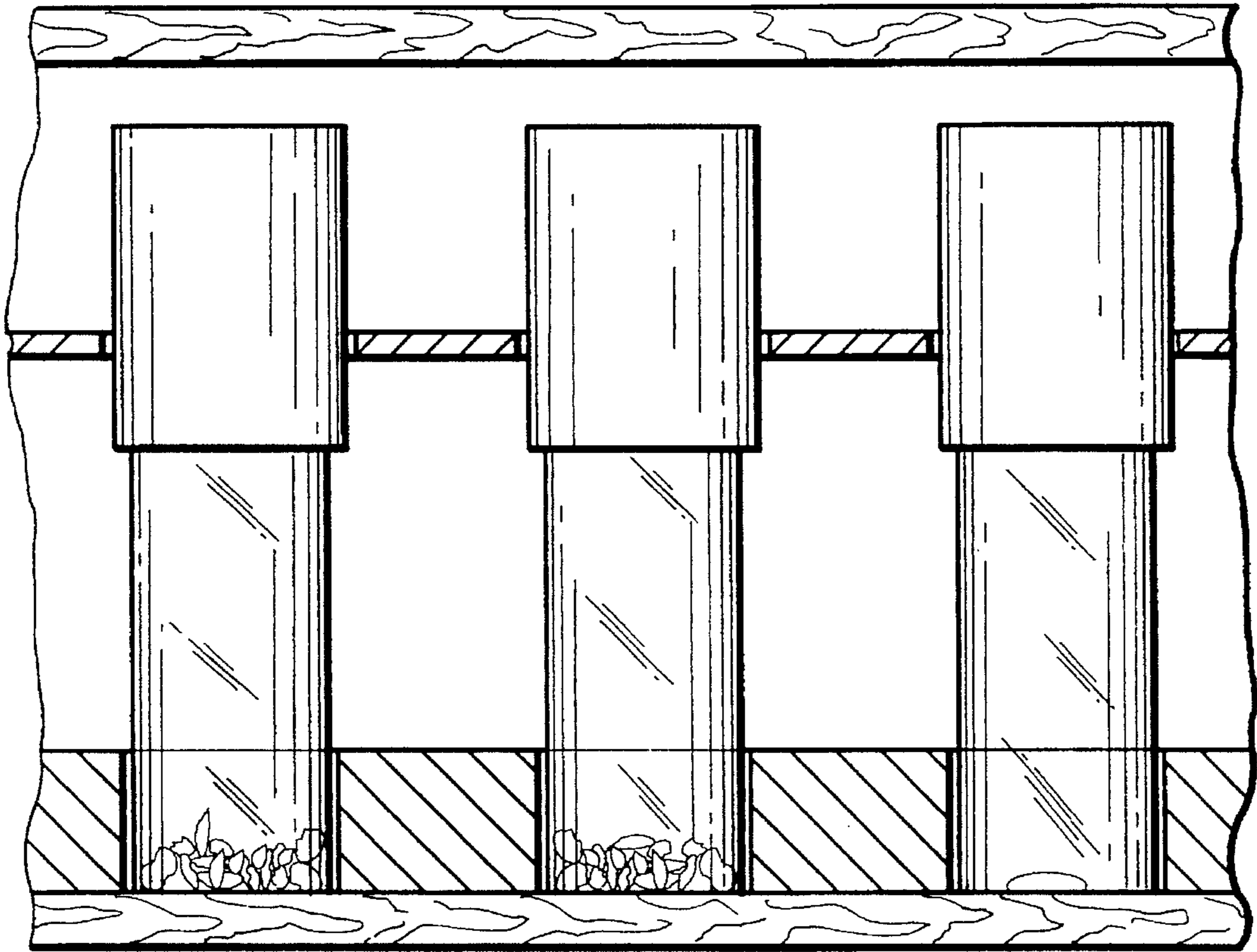


FIG.10

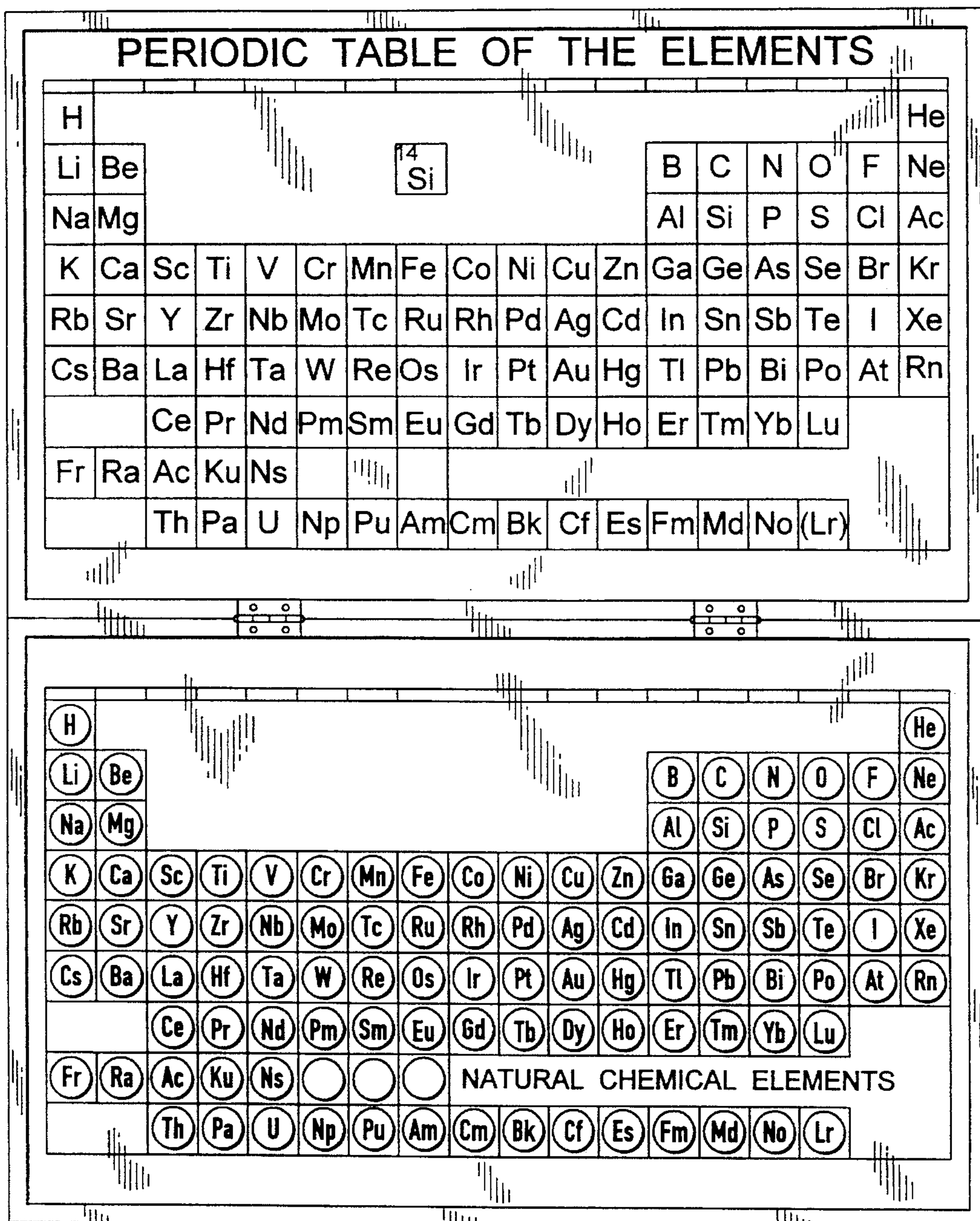


FIG.11