



US00D371161S

United States Patent [19]

[11] Patent Number: **Des. 371,161**

Duval et al.

[45] Date of Patent: ****Jun. 25, 1996**

[54] COMBINED DOCUMENT CASE AND BINDER INSERTS THEREFOR

[76] Inventors: **Daniel Duval; Liliane Gregoire**, both of 1, rue Duhesme, 75018 Paris, France

[**] Term: **14 Years**

[21] Appl. No.: **8,318**

[22] Filed: **May 14, 1993**

[52] U.S. Cl. **D19/27; D3/303**

[58] Field of Search D19/26, 27, 32, D19/33; D3/56, 303; 281/29, 31, 15.1, 45; 402/79, 75, 73; 150/135

[56] References Cited

U.S. PATENT DOCUMENTS

D. 302,830	8/1989	Popat et al.	D19/26
D. 353,836	12/1994	Carvelli et al.	D19/27
1,023,466	4/1912	Gareis	281/31
1,440,936	1/1923	Shepard	281/31
3,658,365	4/1972	Greubel	281/31
4,629,349	12/1986	Pitts	281/31 X
5,215,398	6/1993	White et al.	402/73
5,360,234	11/1994	Miller et al.	281/31

Primary Examiner—A. Hugo Word
Assistant Examiner—Pamela Burgess
Attorney, Agent, or Firm—Oliff & Berridge

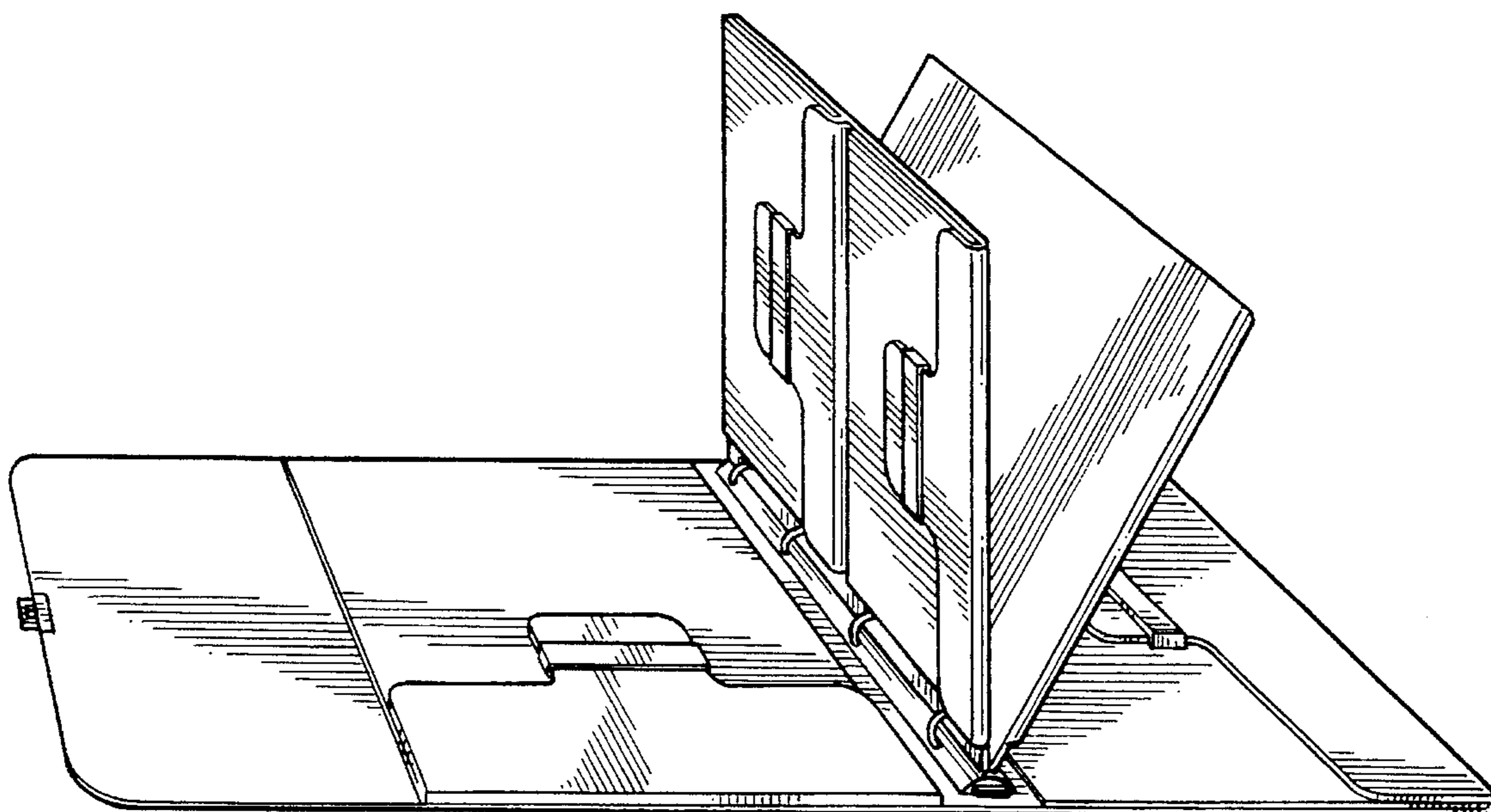
[57] CLAIM

The ornamental design for combined document case and binder inserts therefor, as shown and described.

DESCRIPTION

FIG. 1 is a front view of a combined document case and binder inserts therefor showing our new design;
 FIG. 2 is a front view thereof, in a partially opened position, with the front of the first insert on the right;
 FIG. 3 is a side view thereof, in a fully closed position, the undisclosed side being a mirror image;
 FIG. 4 is a bottom plan view thereof;
 FIG. 5 is a front view thereof in fully opened position;
 FIG. 6 is a rear view thereof;
 FIG. 7 is a front view thereof, in a partially opened position, with the front of the second insert on the left;
 FIG. 8 is a front view thereof, in a partially opened position, showing the rear of first insert on the left and rear of the second insert on the right;
 FIG. 9 is a cross-sectional view thereof, taken along line 9—9 of FIG. 5;
 FIG. 10 is a cross-sectional view thereof, taken along line 10—10 of FIG. 5;
 FIG. 11 is a cross-sectional view thereof, taken along line 11—11 of FIG. 5; and,
 FIG. 12 is a front perspective view in a partially opened position.

1 Claim, 9 Drawing Sheets



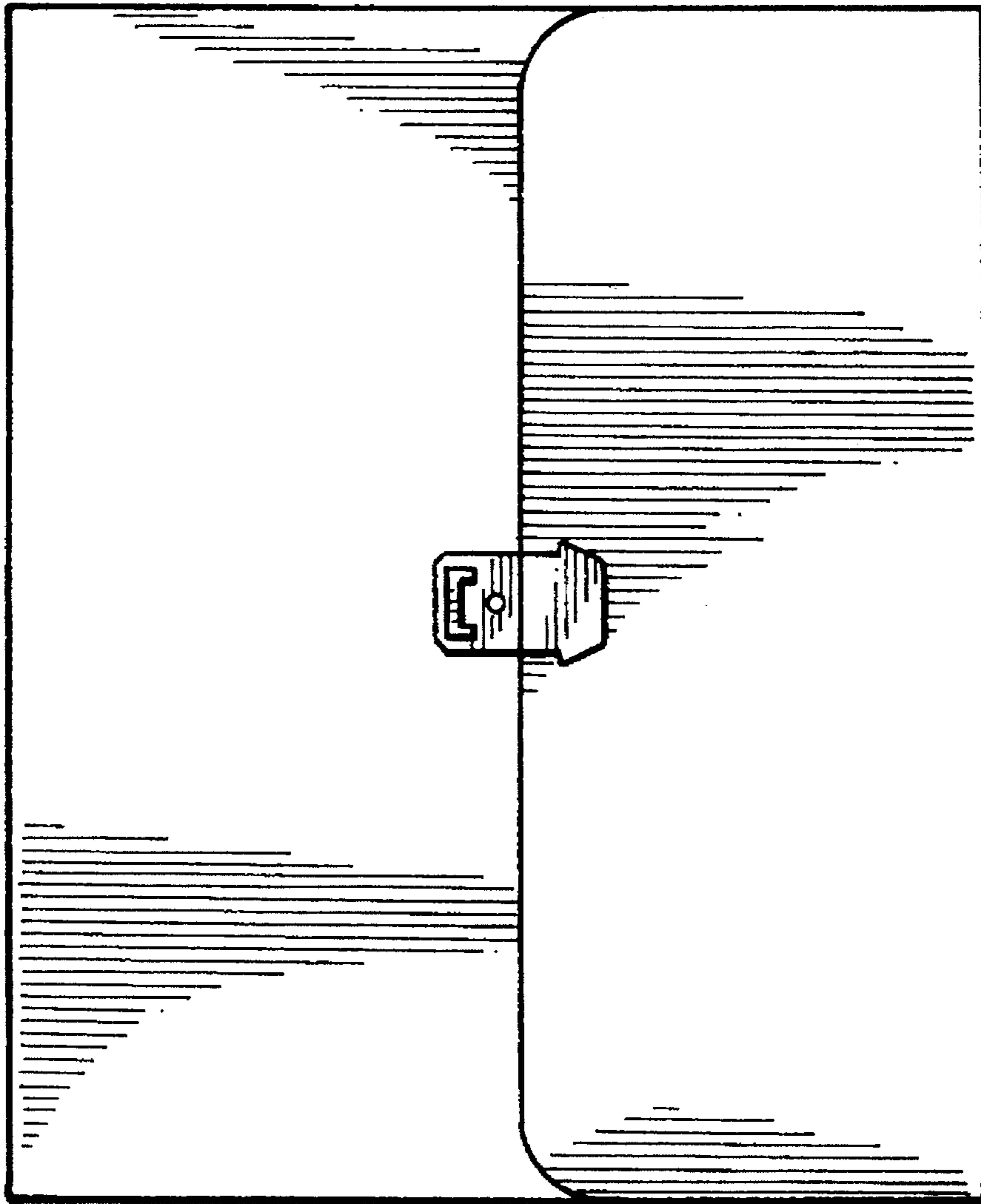


FIG. 1

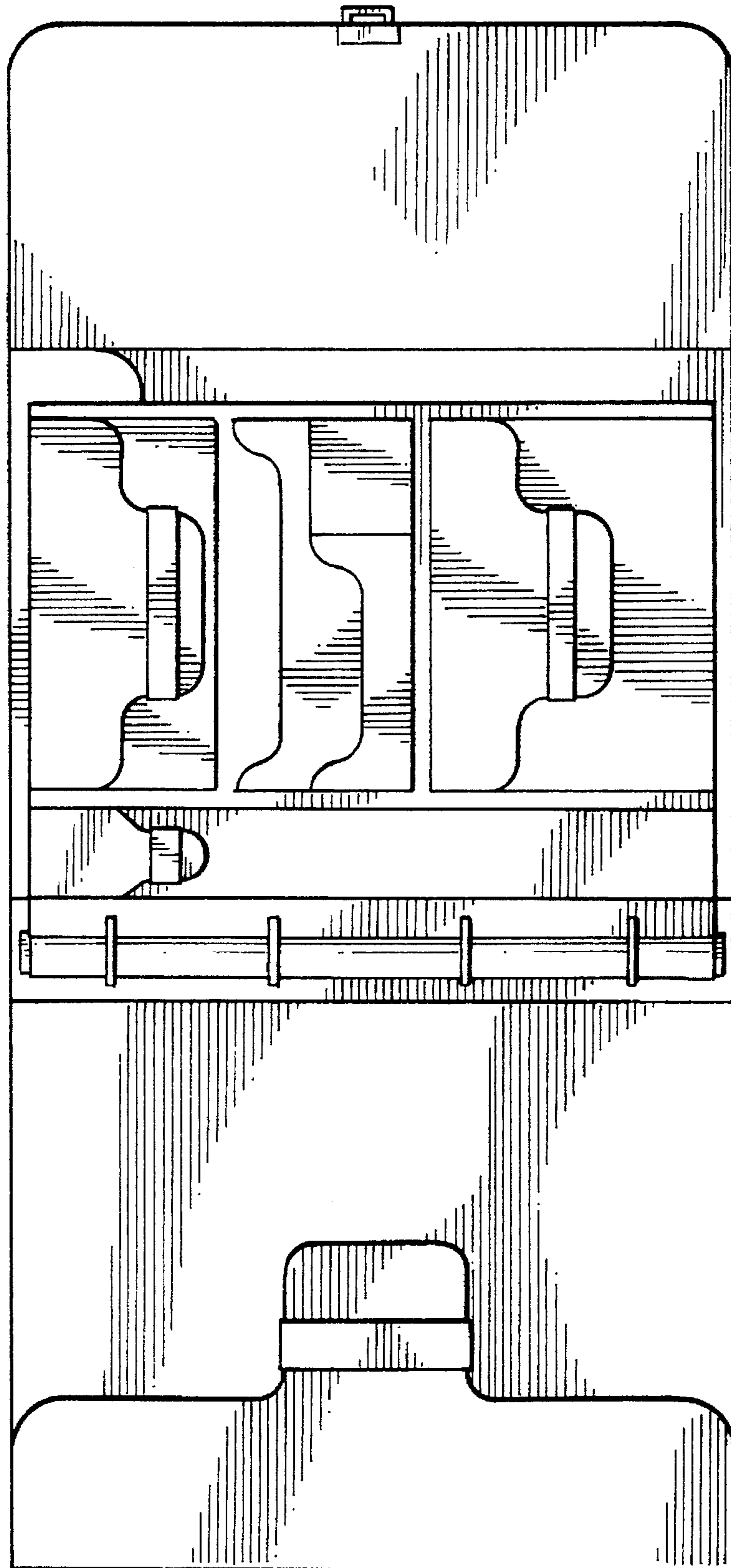


FIG. 2

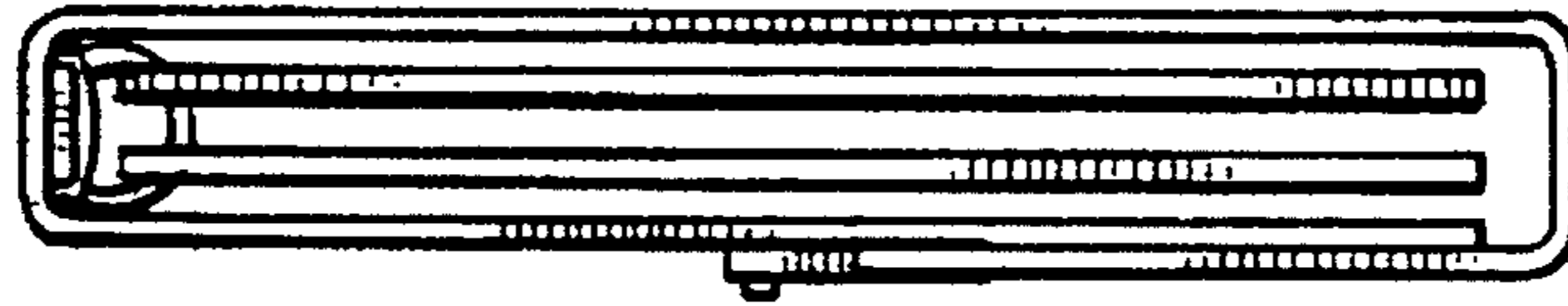


FIG. 3

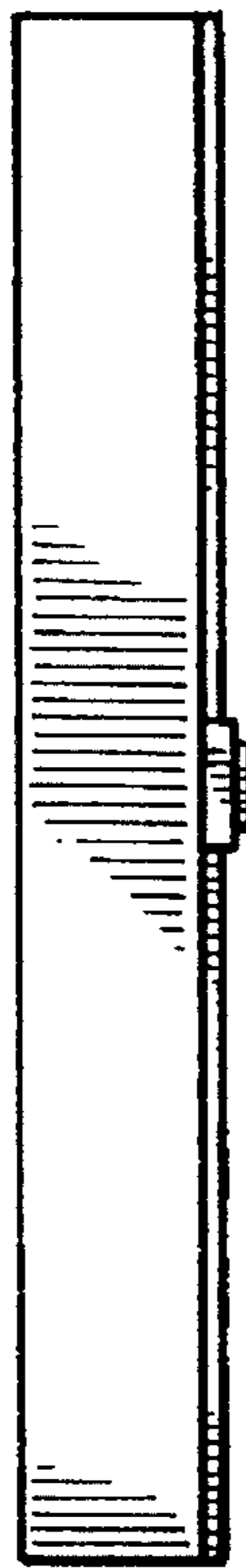


FIG. 4

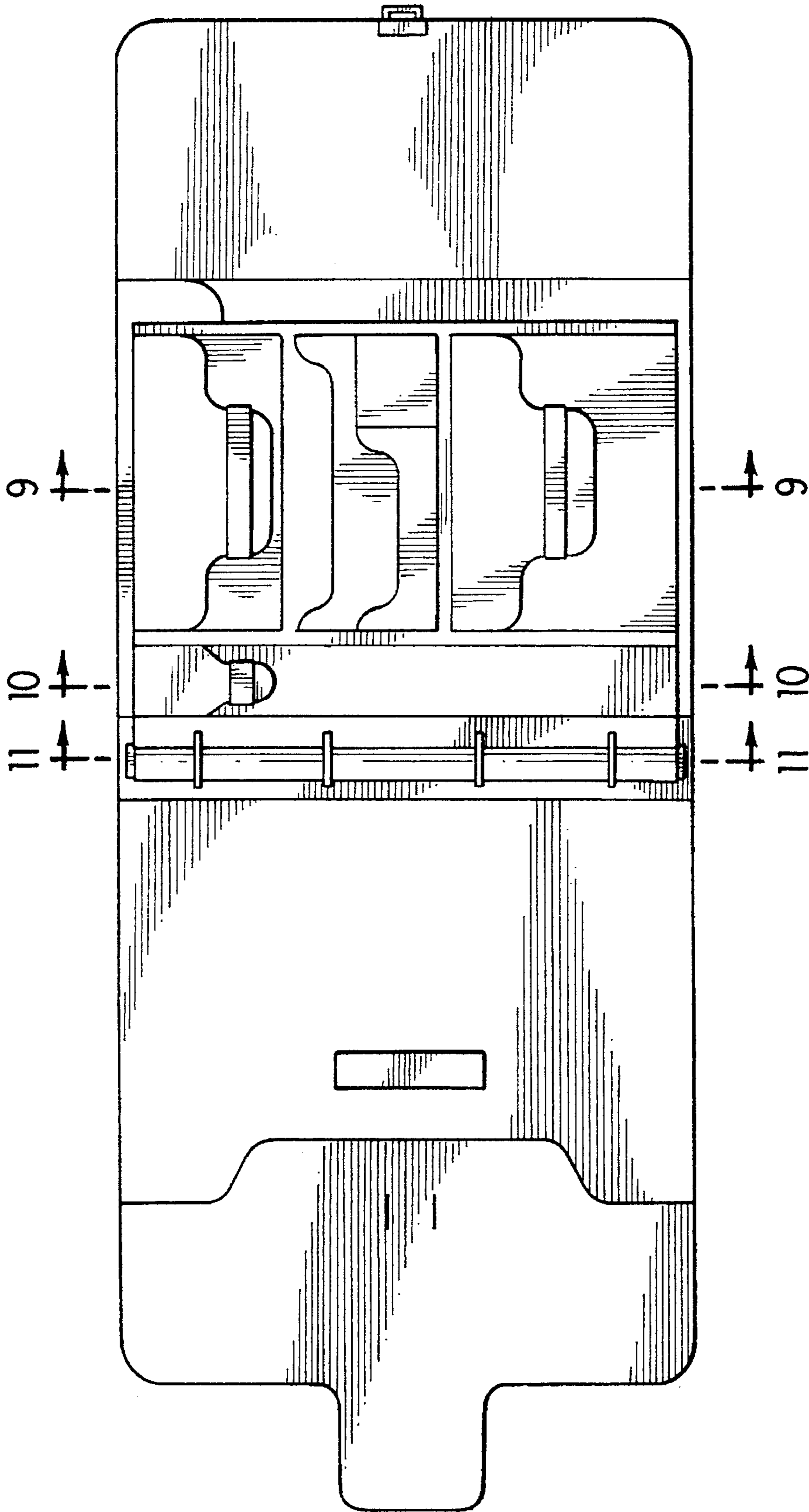


FIG. 5

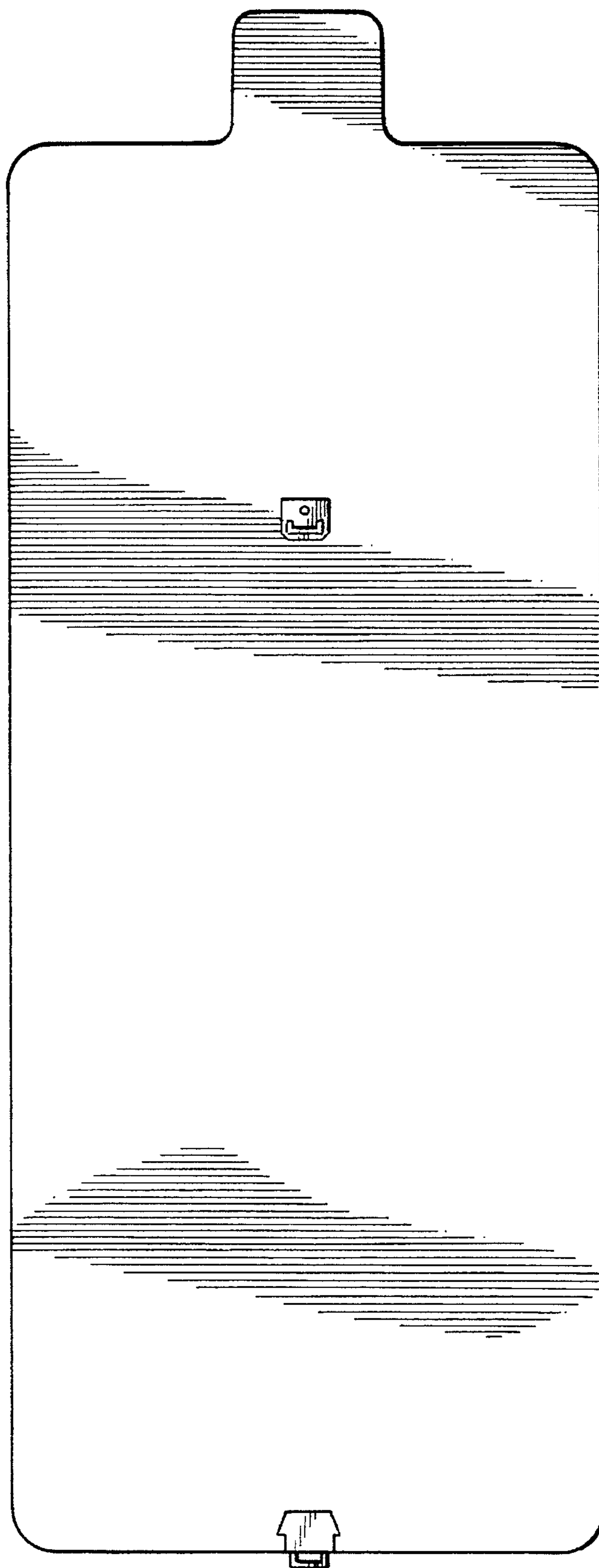


FIG. 6

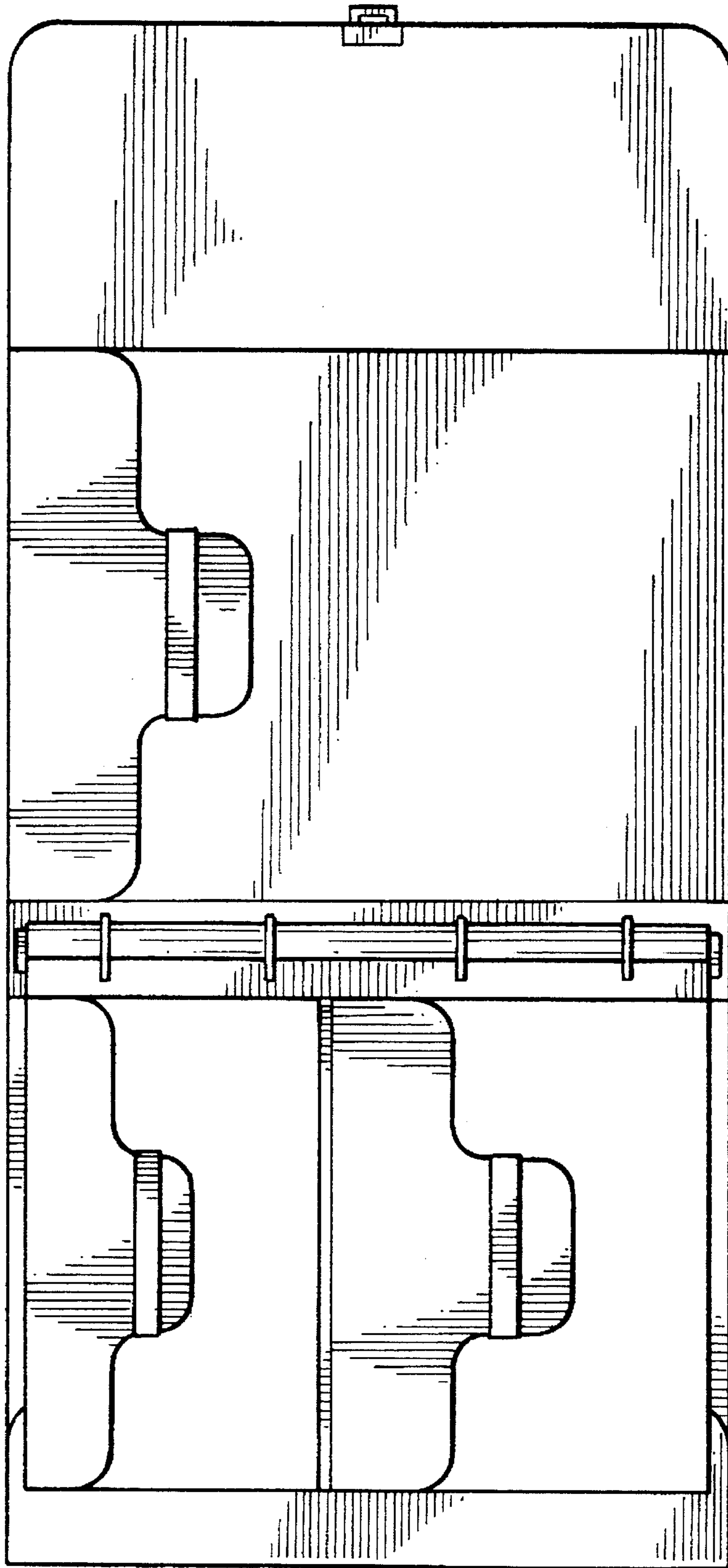


FIG. 7

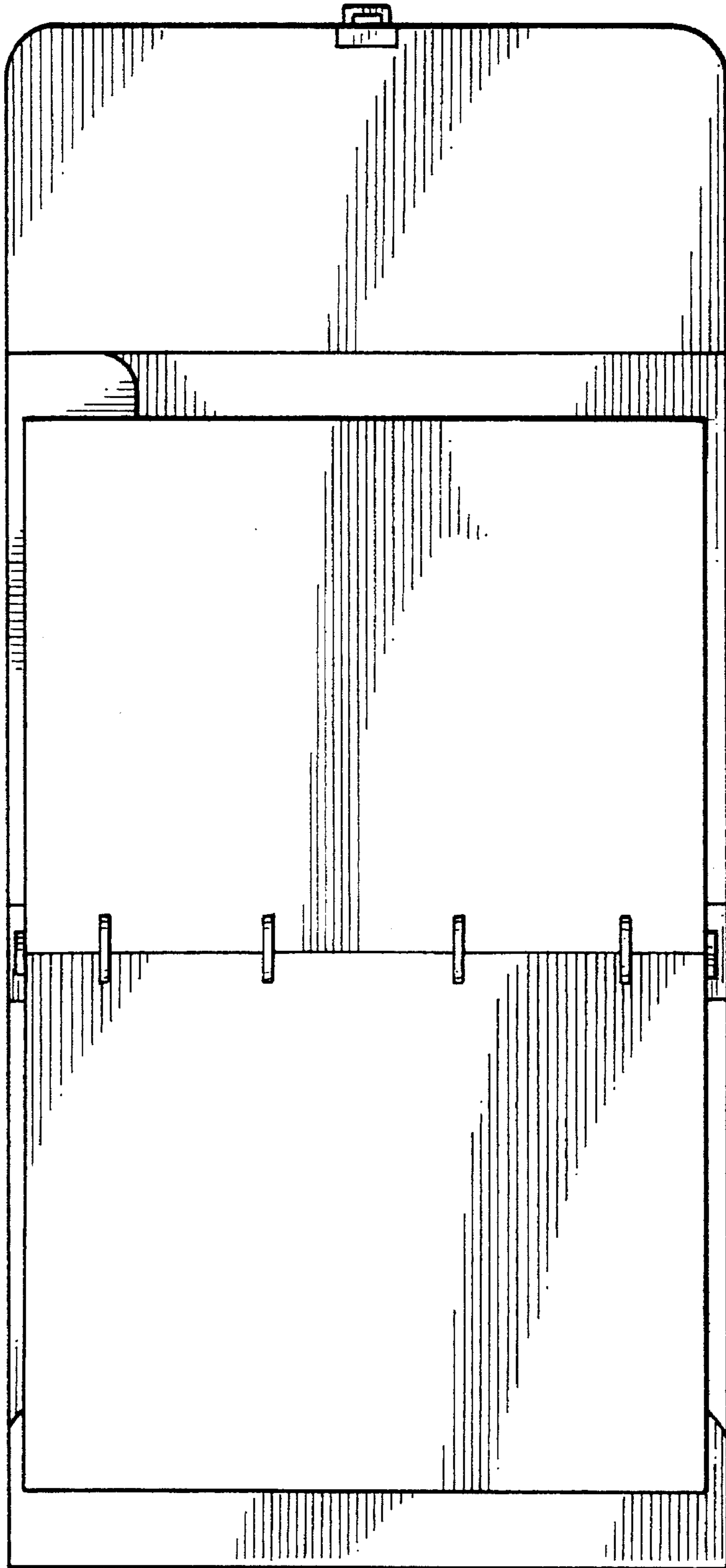


FIG. 8

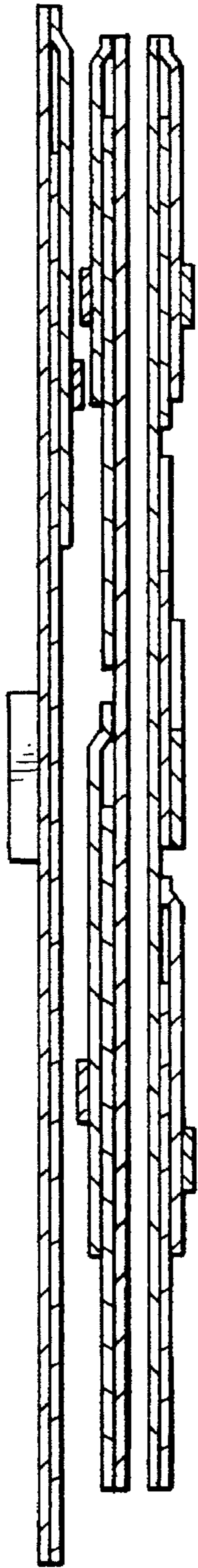


FIG. 9

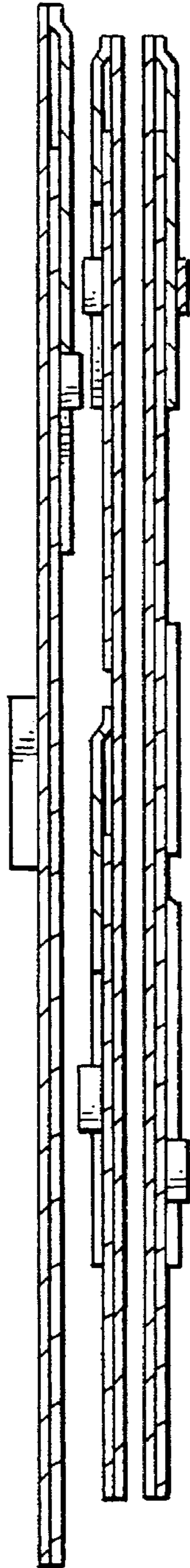


FIG. 10

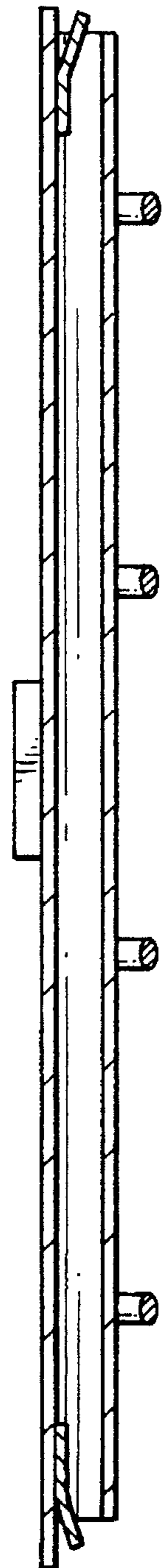


FIG. 11

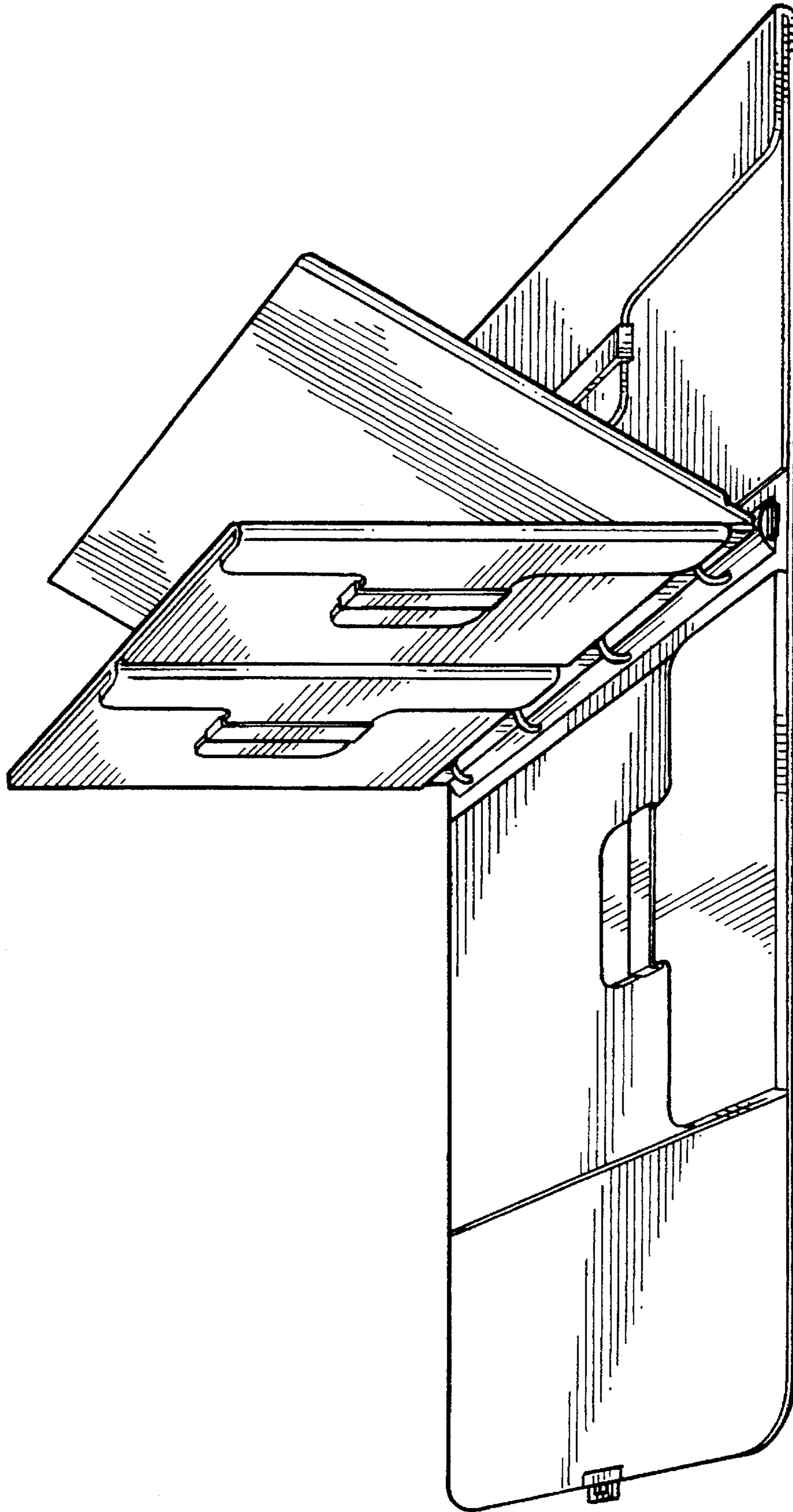


FIG. 12