



US00D371158S

United States Patent [19]

Yoshida

[11] Patent Number: **Des. 371,158**

[45] Date of Patent: ****Jun. 25, 1996**

[54] **PRINTER**

D. 364,420 11/1995 Kawashima D18/54
5,387,043 2/1995 Fujioka et al. 400/691

[75] Inventor: **Kenzo Yoshida**, Nara-ken, Japan

FOREIGN PATENT DOCUMENTS

[73] Assignee: **Sharp Kabushiki Kaisha**, Osaka, Japan

65798 4/1990 Canada .

[**] Term: **14 Years**

OTHER PUBLICATIONS

[21] Appl. No.: **34,575**

Micro Center Catalog; p. 17; IBM ExecJet II 4076 InkJet Printer advertisement.

[22] Filed: **Feb. 8, 1995**

Lumina Ofc. Products brochure; Lumina Series 2000 fax, scan, copier.

[30] Foreign Application Priority Data

Aug. 12, 1994 [JP] Japan 6-24546

Canon Bubble Jet Printer BJ-10e brochure; Printer w/Automatic Paper Feeder.

[52] U.S. Cl. **D18/50**

Ablette 10 printer Copier brochure.

[58] Field of Search D18/50, 54, 55;
400/690-694, 690.1-690.4, 613, 613.1-613.4

Primary Examiner—Cathy Anne MacCormac
Attorney, Agent, or Firm—Nixon & Vanderhye

[56] References Cited

[57] CLAIM

U.S. PATENT DOCUMENTS

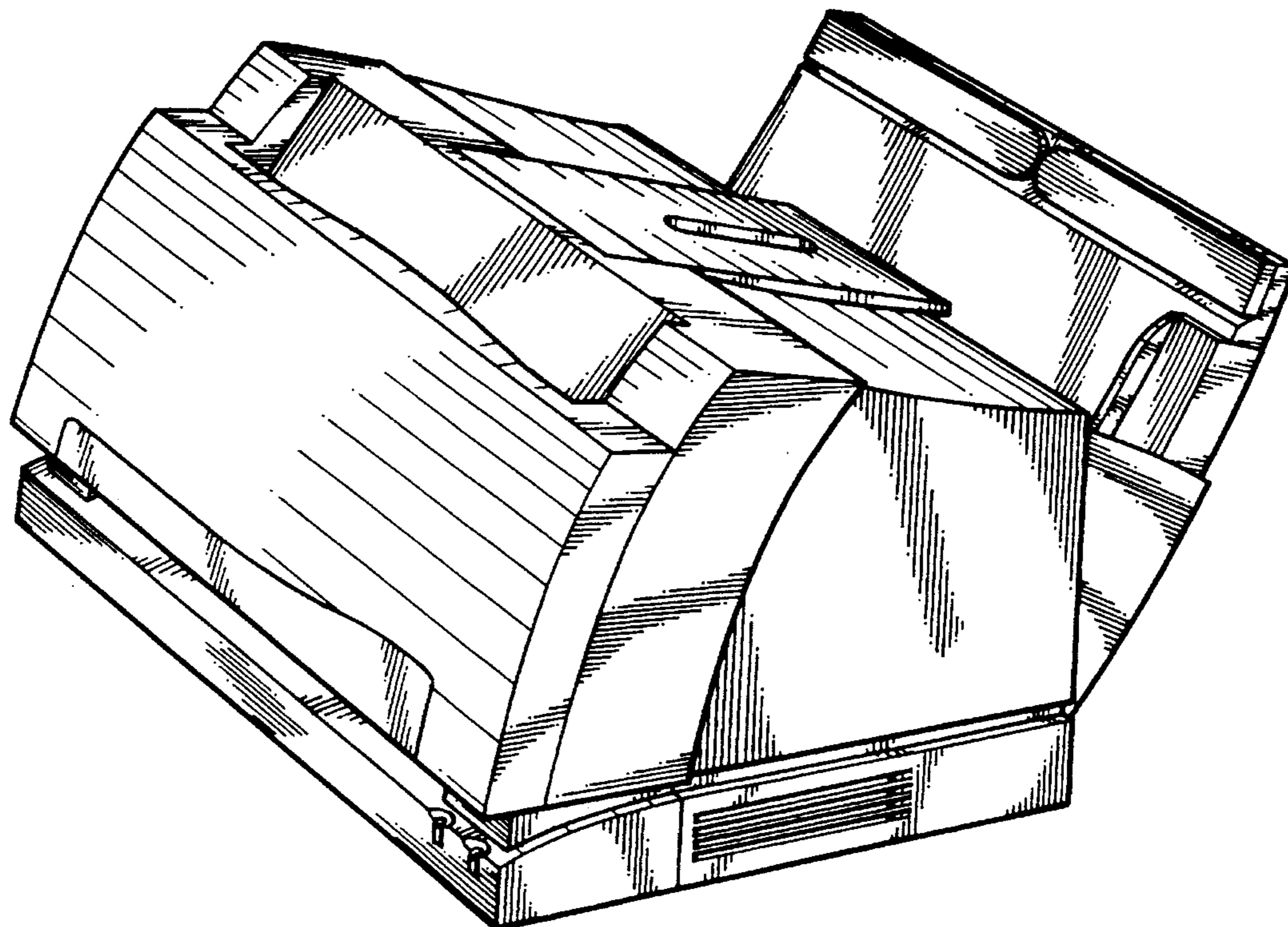
The ornamental design for a printer, as shown and described.

D. 301,485	6/1989	Kato et al.	D18/55
D. 323,850	2/1992	Matsuo et al.	D18/54
D. 331,256	11/1992	Fukuda	D18/46
D. 337,609	7/1993	Fukuda	D18/55
D. 340,065	10/1993	Fukuda	D18/50
D. 343,192	1/1994	Hirose	D18/55
D. 343,637	1/1994	Umino et al.	D18/55
D. 344,754	3/1994	Parsey	D18/55
D. 345,758	4/1994	Fukuda	D18/49
D. 349,922	8/1994	Tashiro	D18/54
D. 350,364	9/1994	Kawashima et al.	D18/50
D. 350,979	9/1994	Hirose	D18/55
D. 351,615	10/1994	James, III et al.	D18/55
D. 356,818	3/1995	Sekine et al.	D18/55

DESCRIPTION

FIG. 1 is a top, front and right side perspective view of a printer according to my design;
FIG. 2 is a front elevational view thereof;
FIG. 3 is a rear elevational view thereof;
FIG. 4 is a top plan view thereof;
FIG. 5 is a bottom plan view thereof;
FIG. 6 is a right side elevational view thereof; and,
FIG. 7 is a left side elevational view thereof.

1 Claim, 5 Drawing Sheets



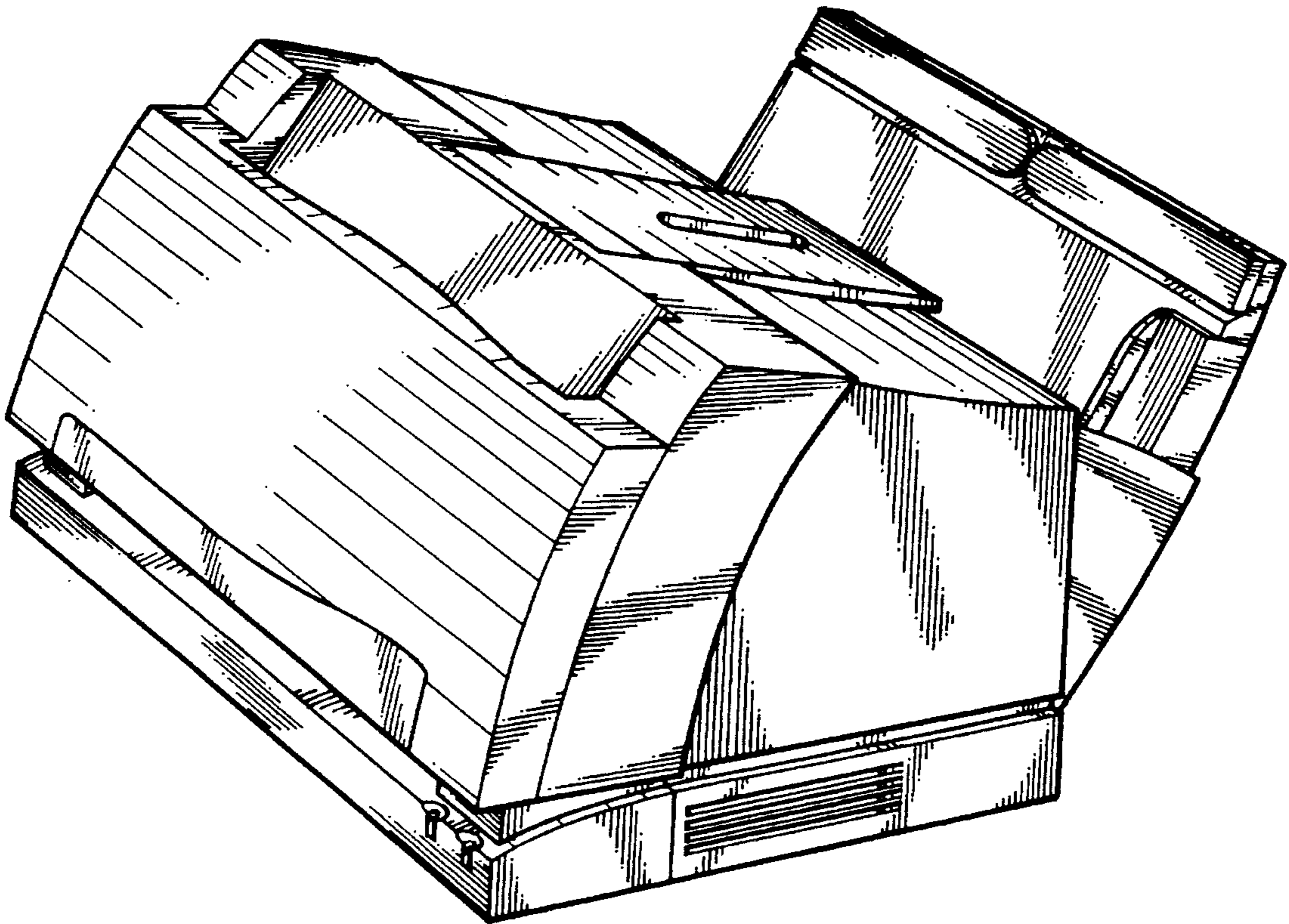


FIG. 1

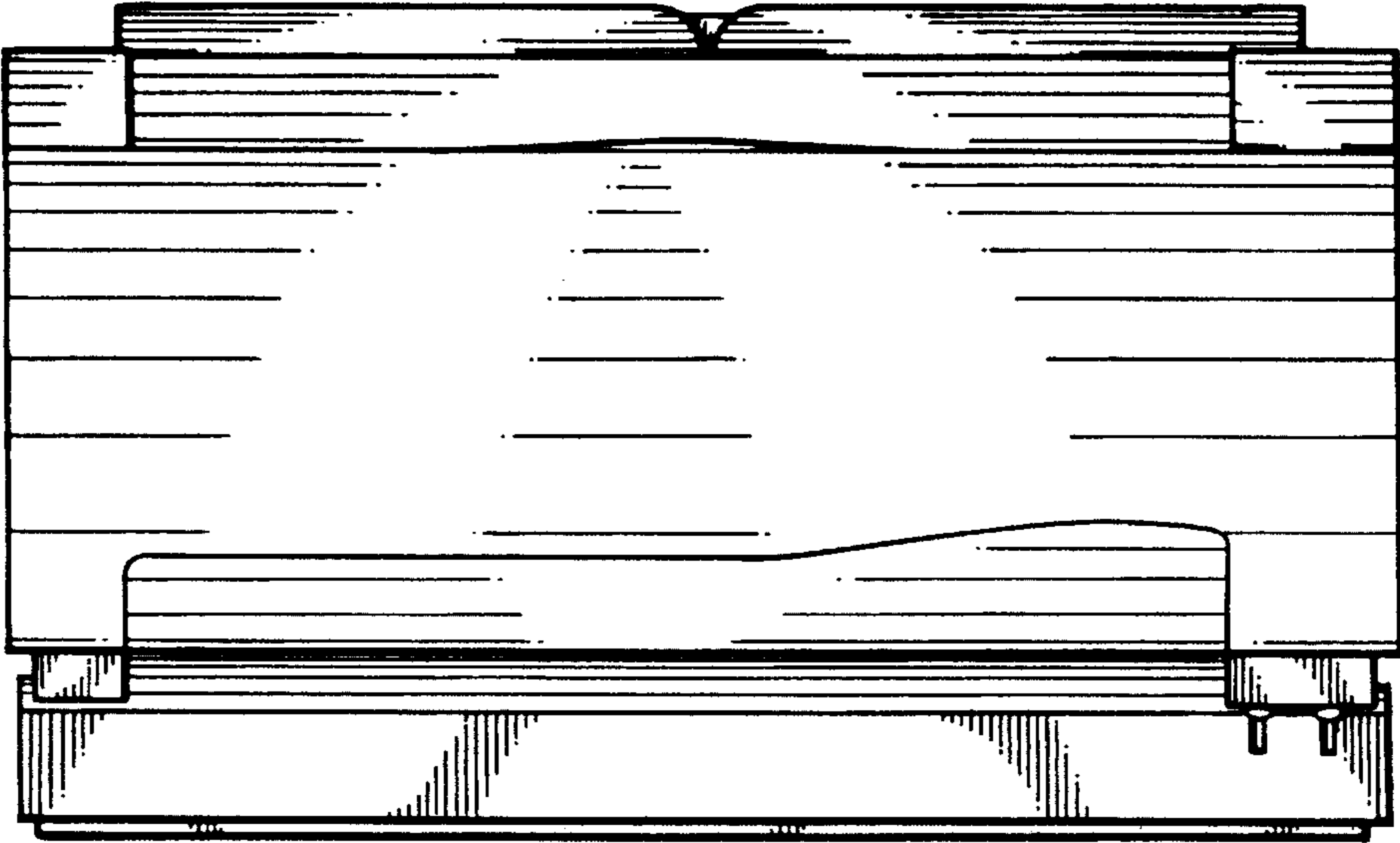


FIG. 2

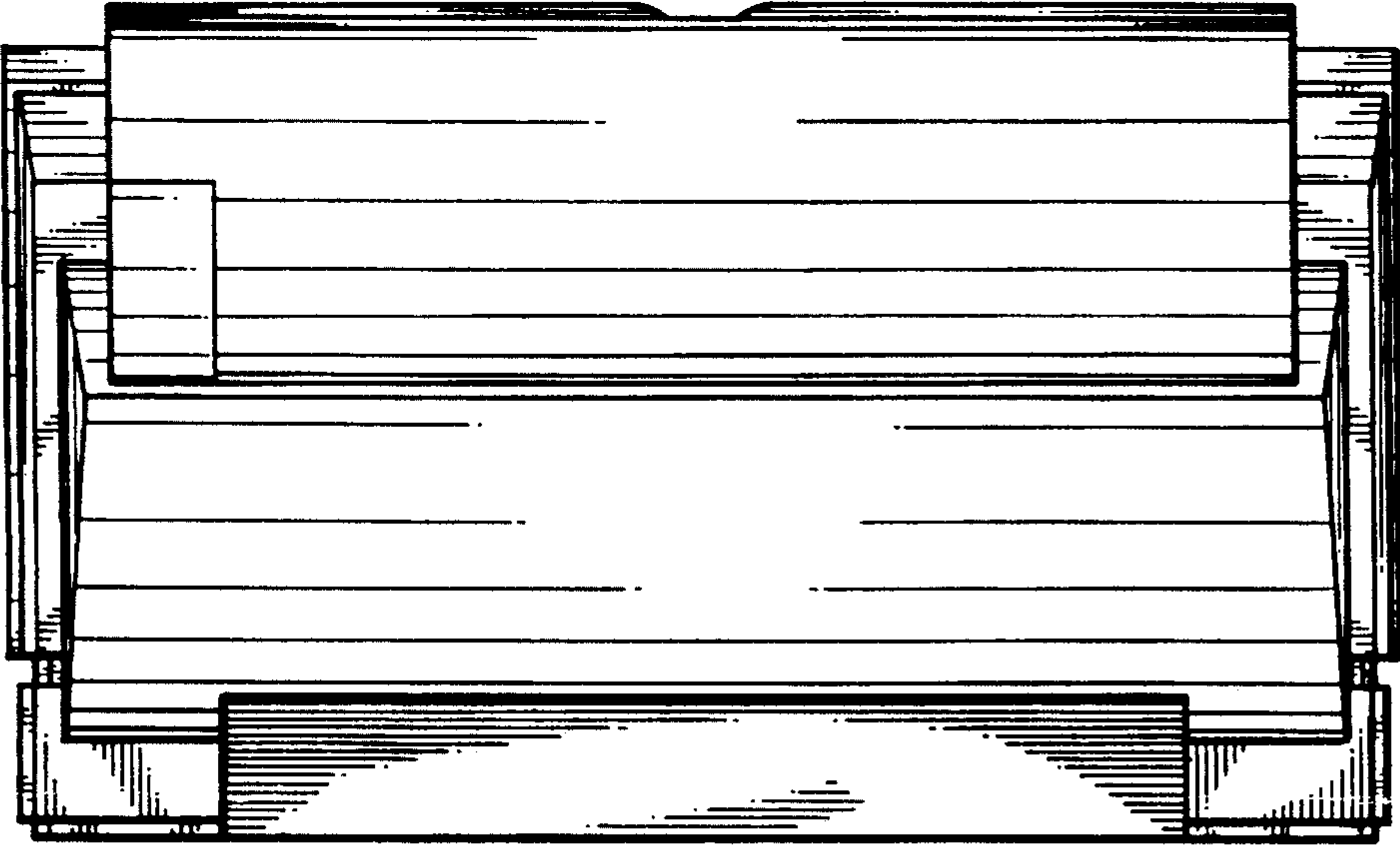


FIG. 3

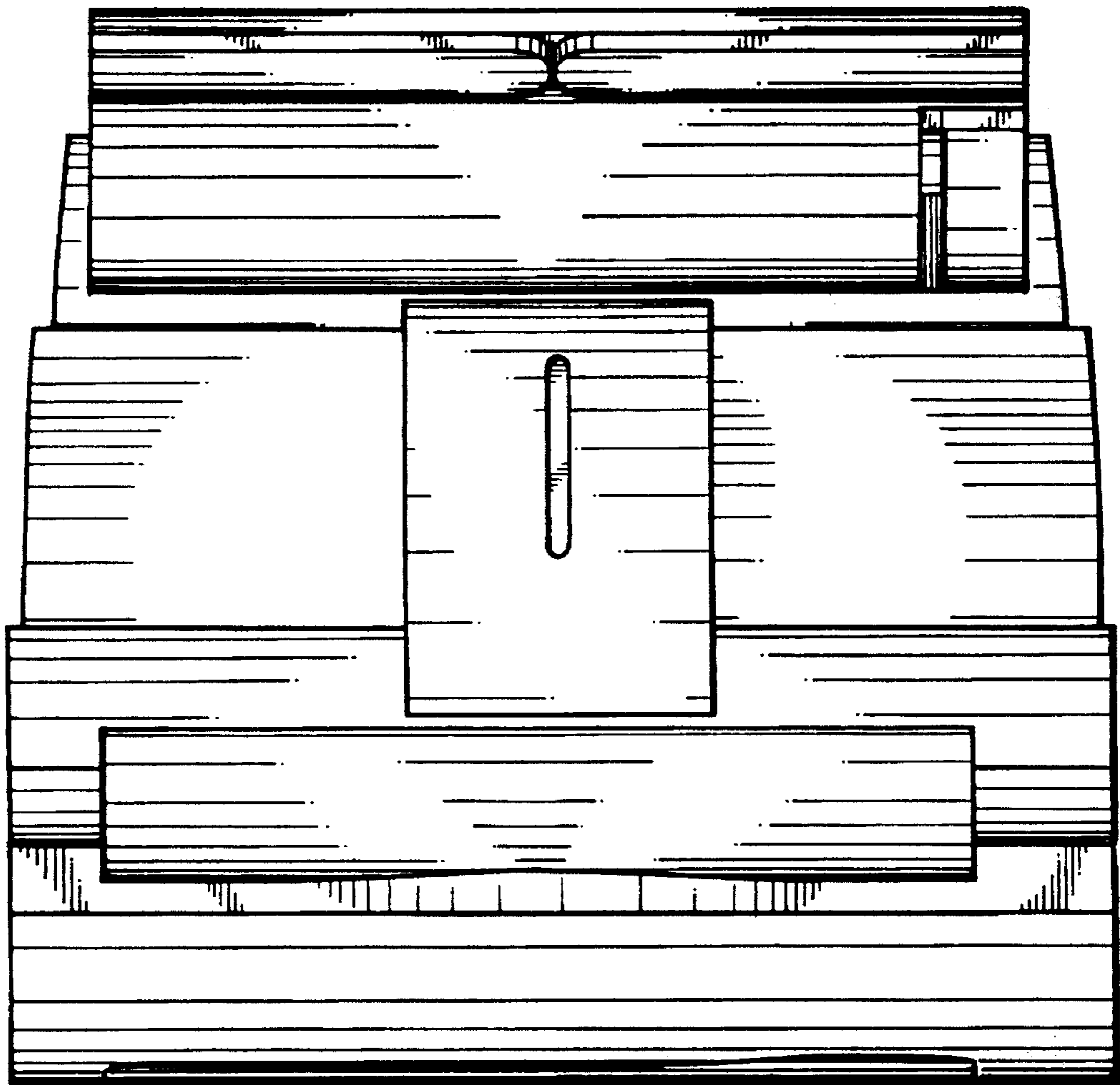


FIG. 4

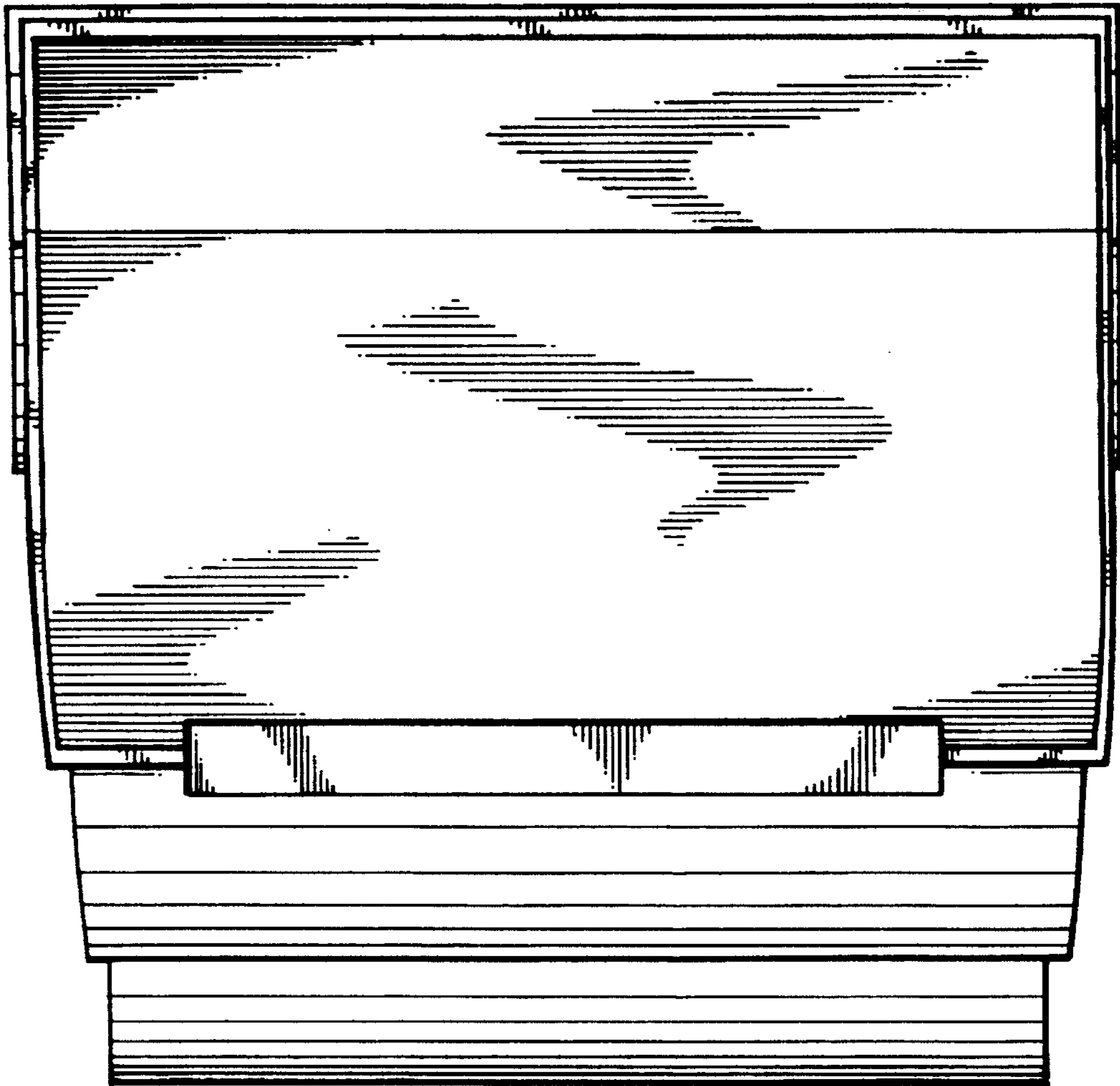


FIG. 5

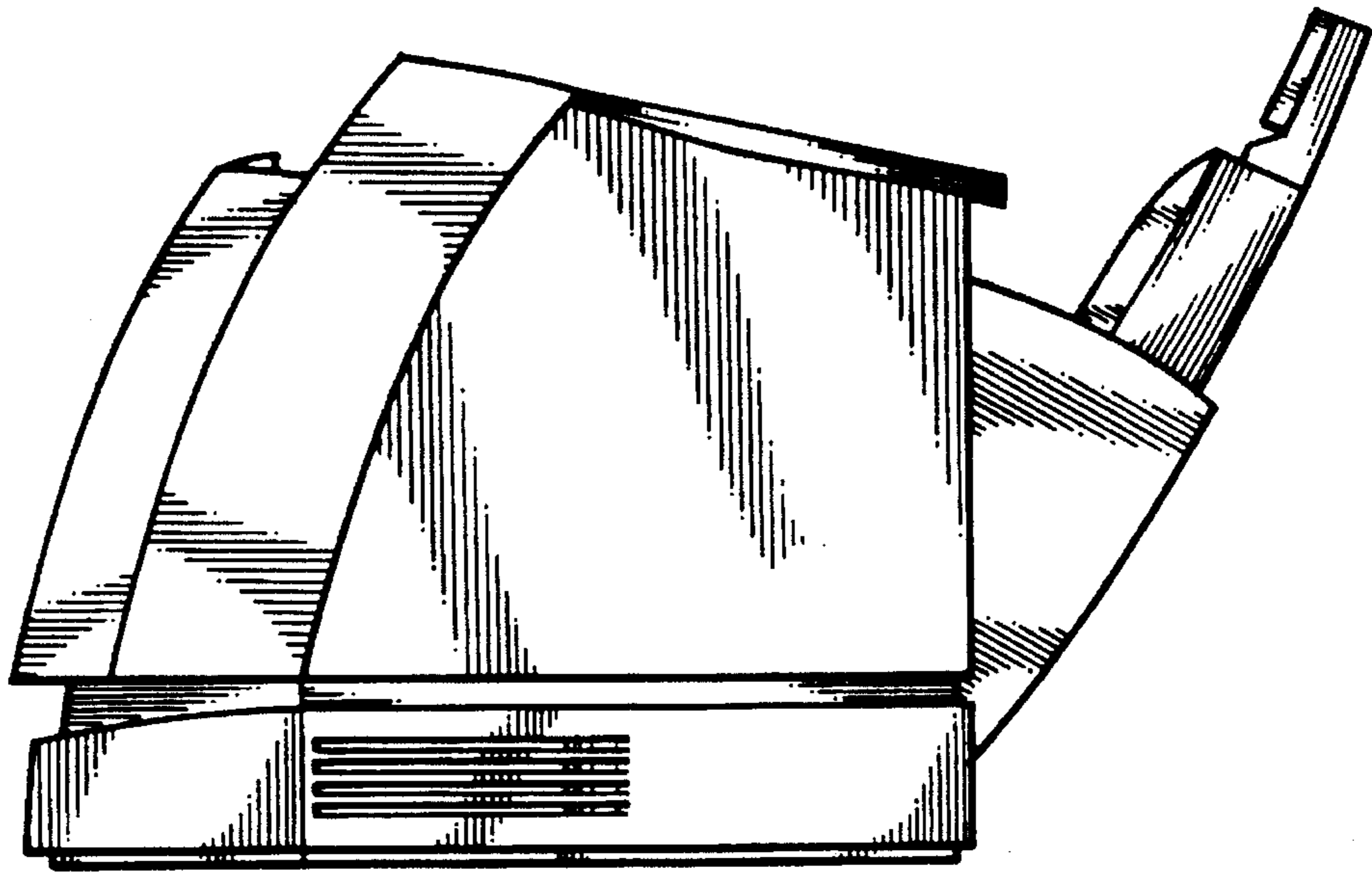


FIG. 6

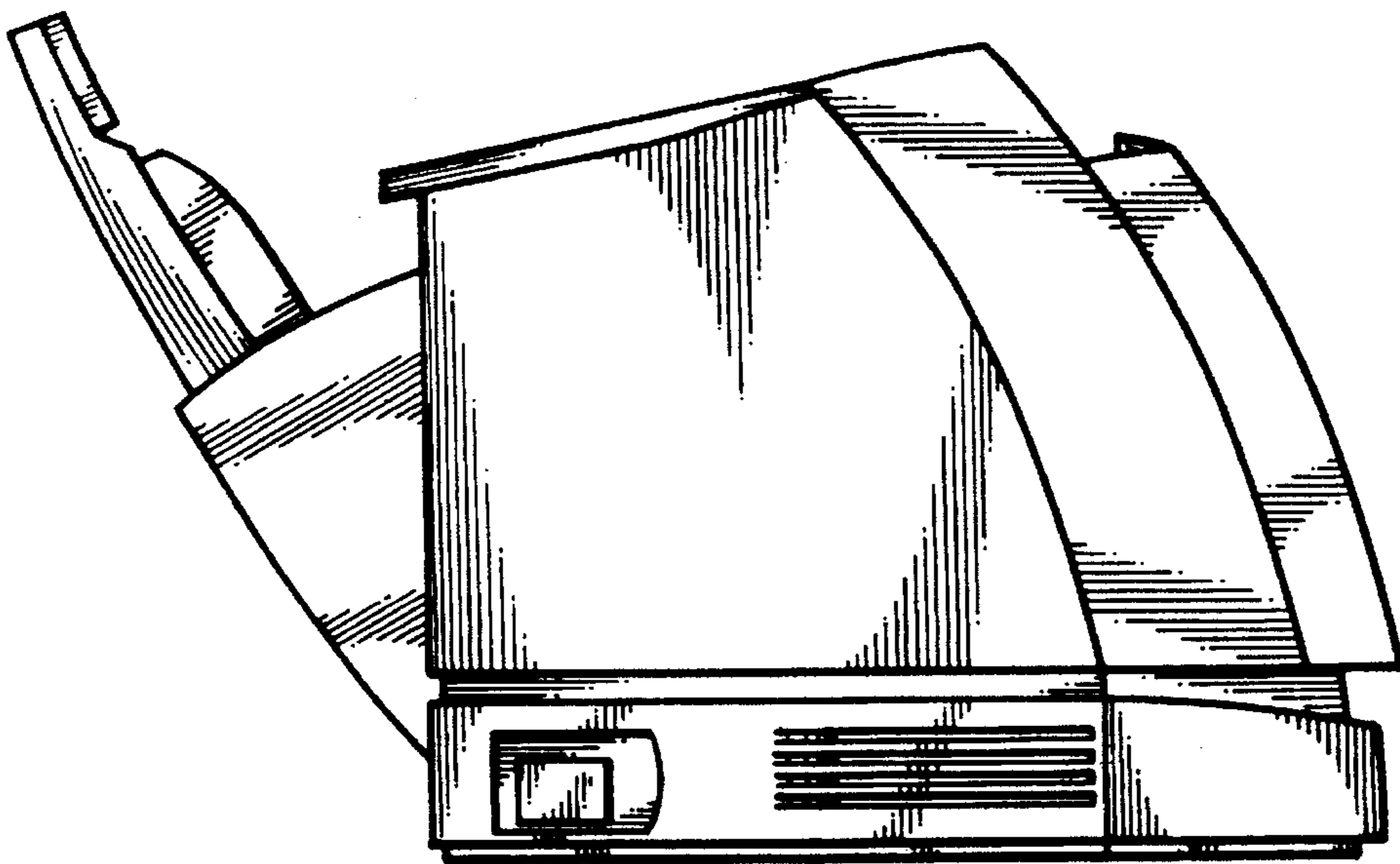


FIG. 7