



US00D371157S

United States Patent [19] Chambers

[11] Patent Number: **Des. 371,157**

[45] Date of Patent: ****Jun. 25, 1996**

[54] **SOLID INK STICK COLOR PRINTER**

[75] Inventor: **Richard G. Chambers**, Portland, Oreg.

[73] Assignee: **Tektronix, Inc.**, Wilsonville, Oreg.

[**] Term: **14 Years**

[21] Appl. No.: **32,968**

[22] Filed: **Jan. 3, 1995**

[52] U.S. Cl. **D18/50**

[58] Field of Search D18/50, 54-55;
400/690-694, 690.1-690.4, 613, 613.1-613.4

[56] **References Cited**

U.S. PATENT DOCUMENTS

D. 323,524	1/1992	Boyer et al.	D18/50
D. 346,820	5/1994	Etou et al.	D18/55
D. 350,981	9/1994	Matsuda	D18/55

OTHER PUBLICATIONS

Fujitsu Computer Product of American, Inc. brochure; Scan Partner Plus.
Tektronix brochure; Phaser™ 200e and Phaser 200i Thermal-wax Printers.

Tektronix Phaser™ 200 Color Printer brochure; Feb. 1993.
NewGen™ Systems Corporation™ brochure; NewGen B Series Laser Printer.

Primary Examiner—Cathy Anne MacCormac
Attorney, Agent, or Firm—Ralph D'Alessandro

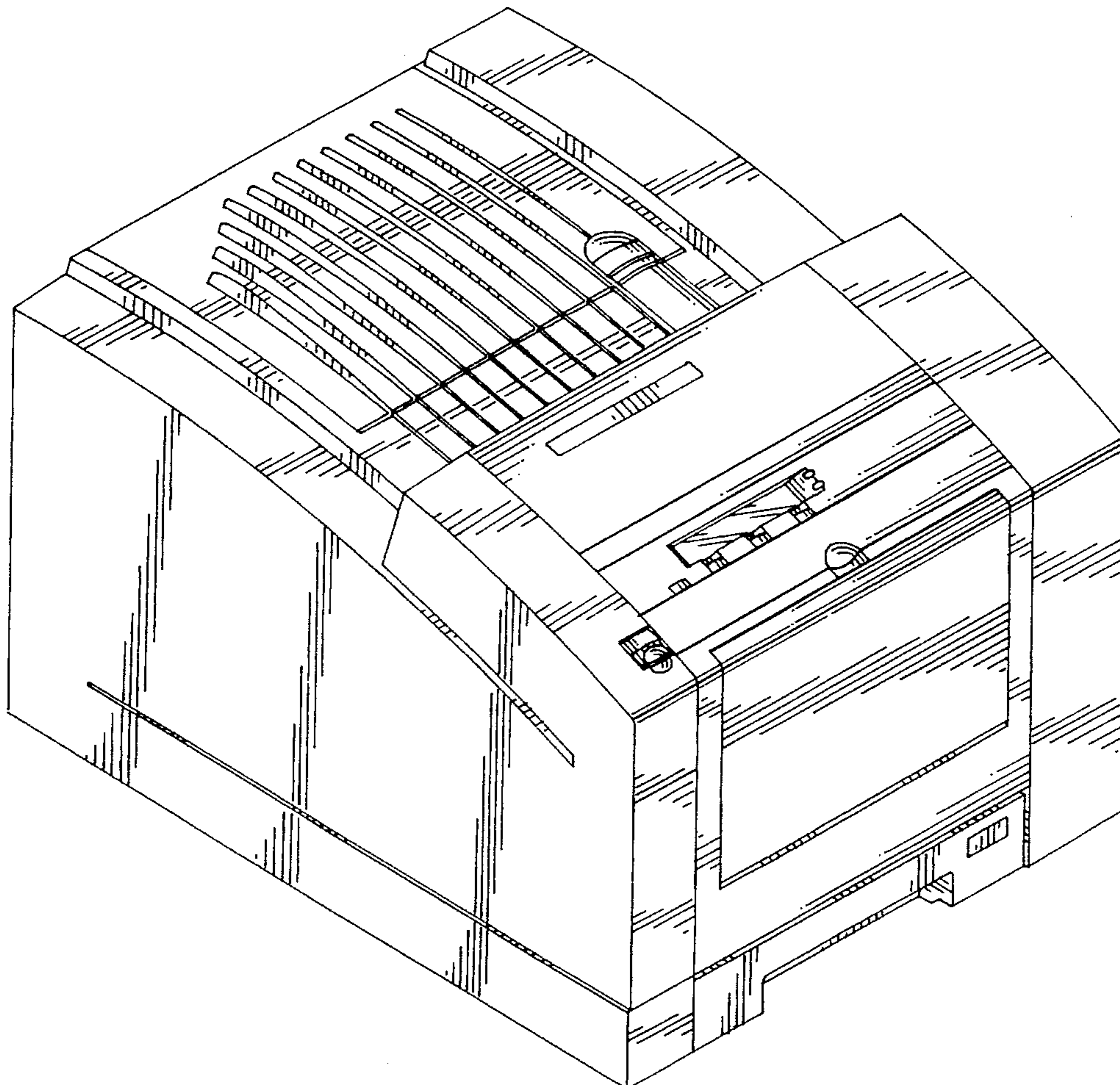
[57] **CLAIM**

The ornamental design for solid ink stick color printer, as shown and described.

DESCRIPTION

FIG. 1 is a front perspective view of a solid ink stick color printer showing my new design;
FIG. 2 is a left side elevational view thereof;
FIG. 3 is a right side elevational view thereof;
FIG. 4 is a front elevational view thereof;
FIG. 5 is a rear elevational view thereof;
FIG. 6 is a top plan view thereof; and,
FIG. 7 is a bottom plan view thereof.

1 Claim, 7 Drawing Sheets



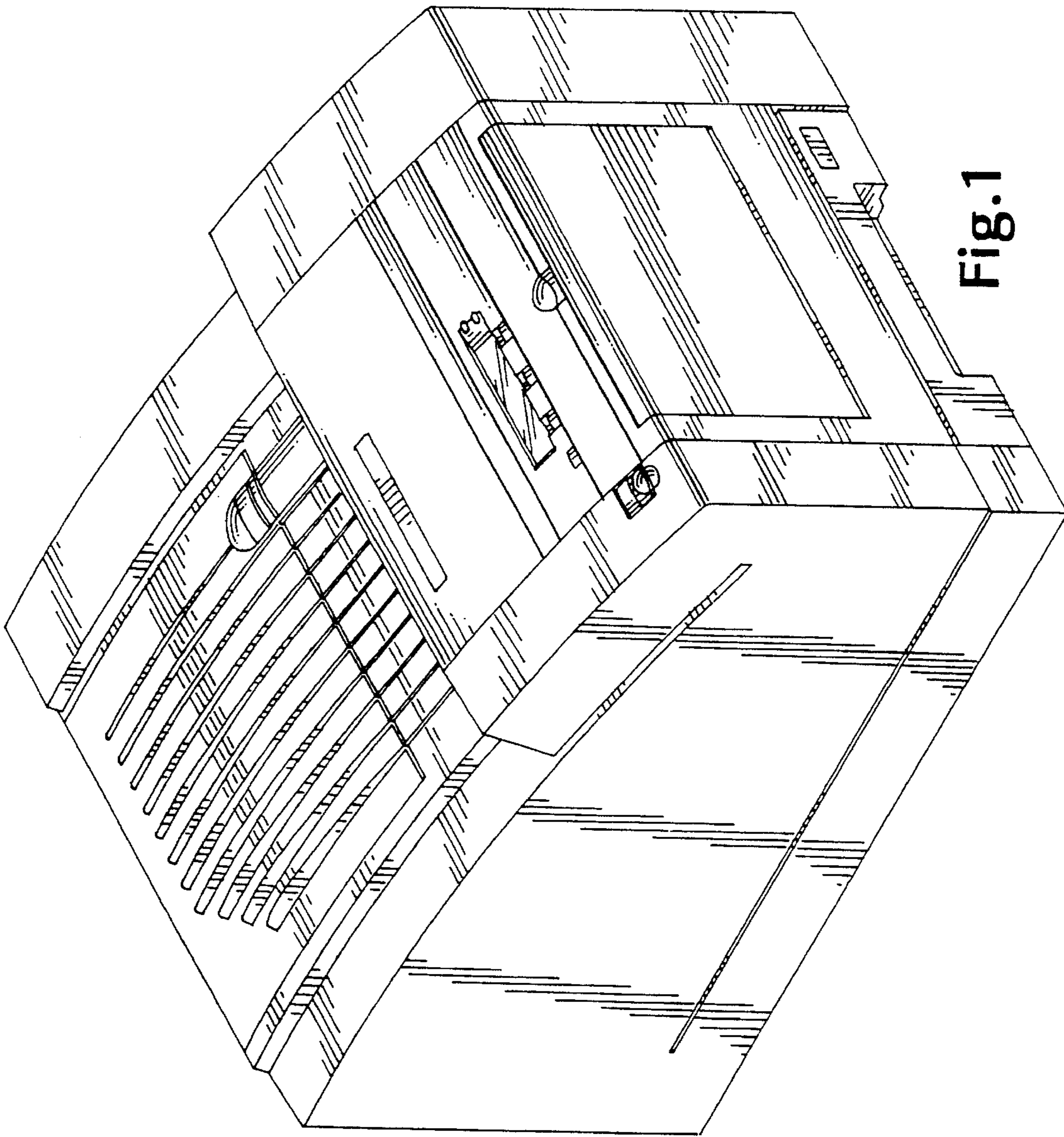


Fig. 1

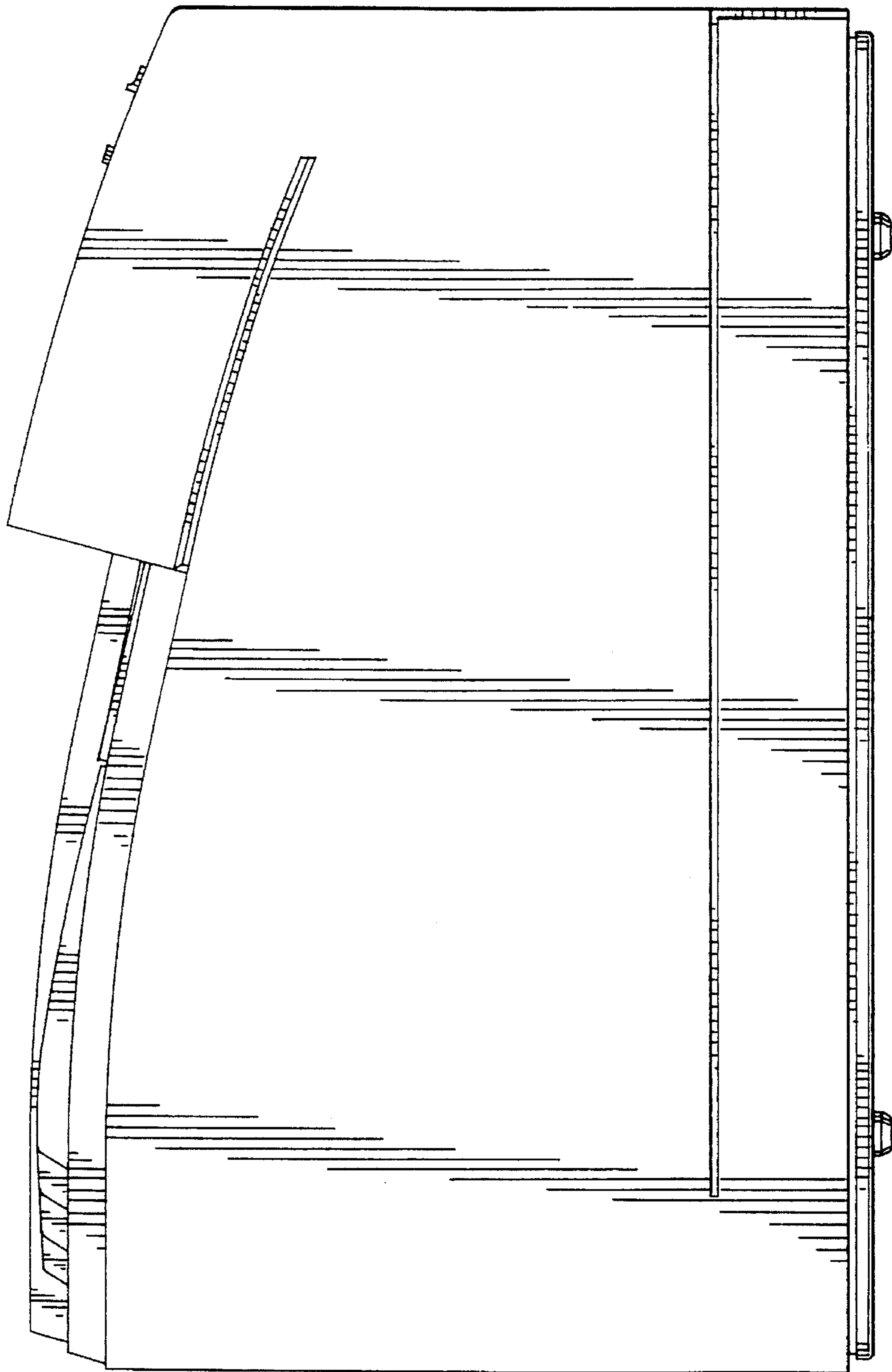


Fig.2

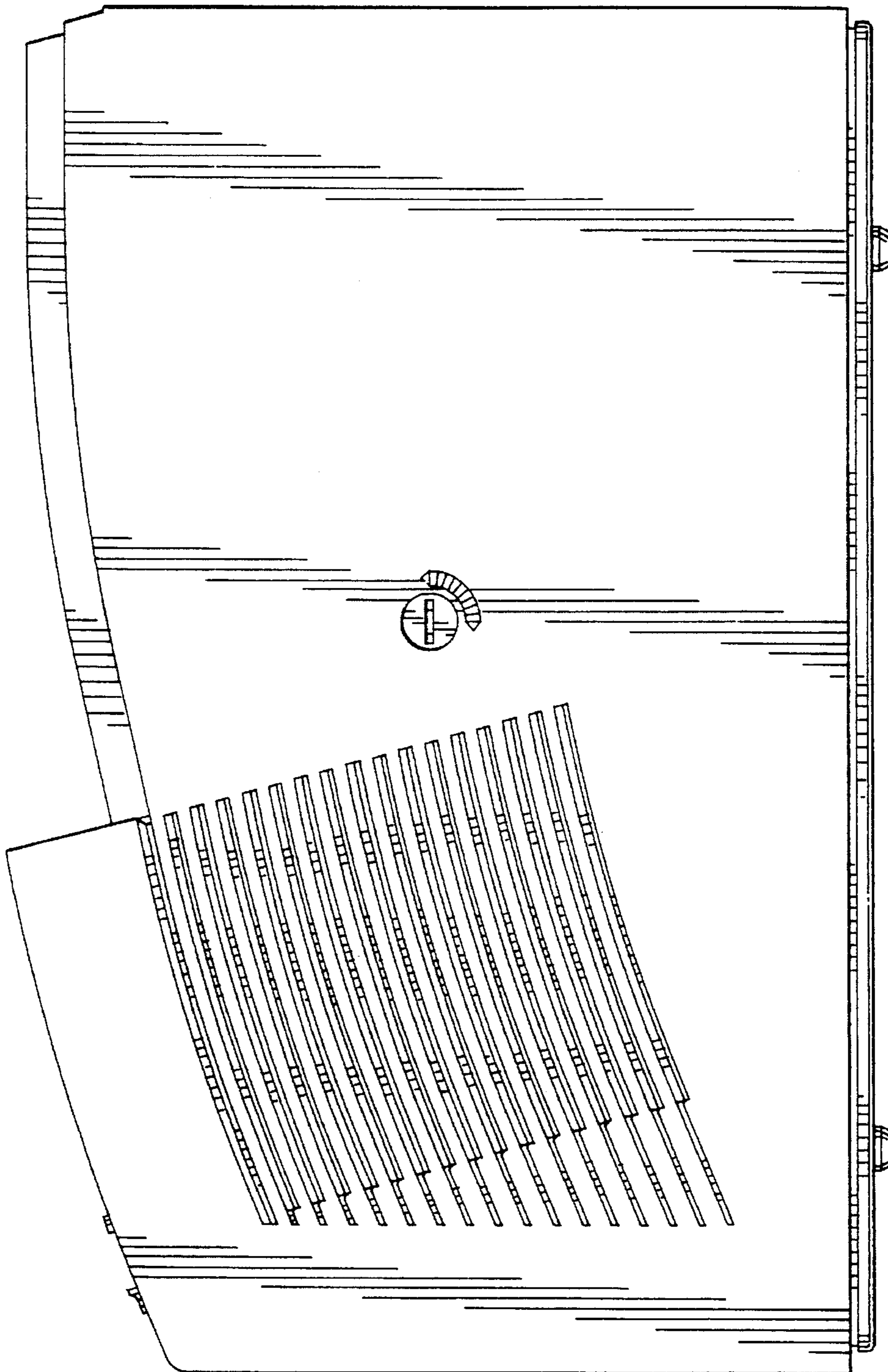


Fig.3

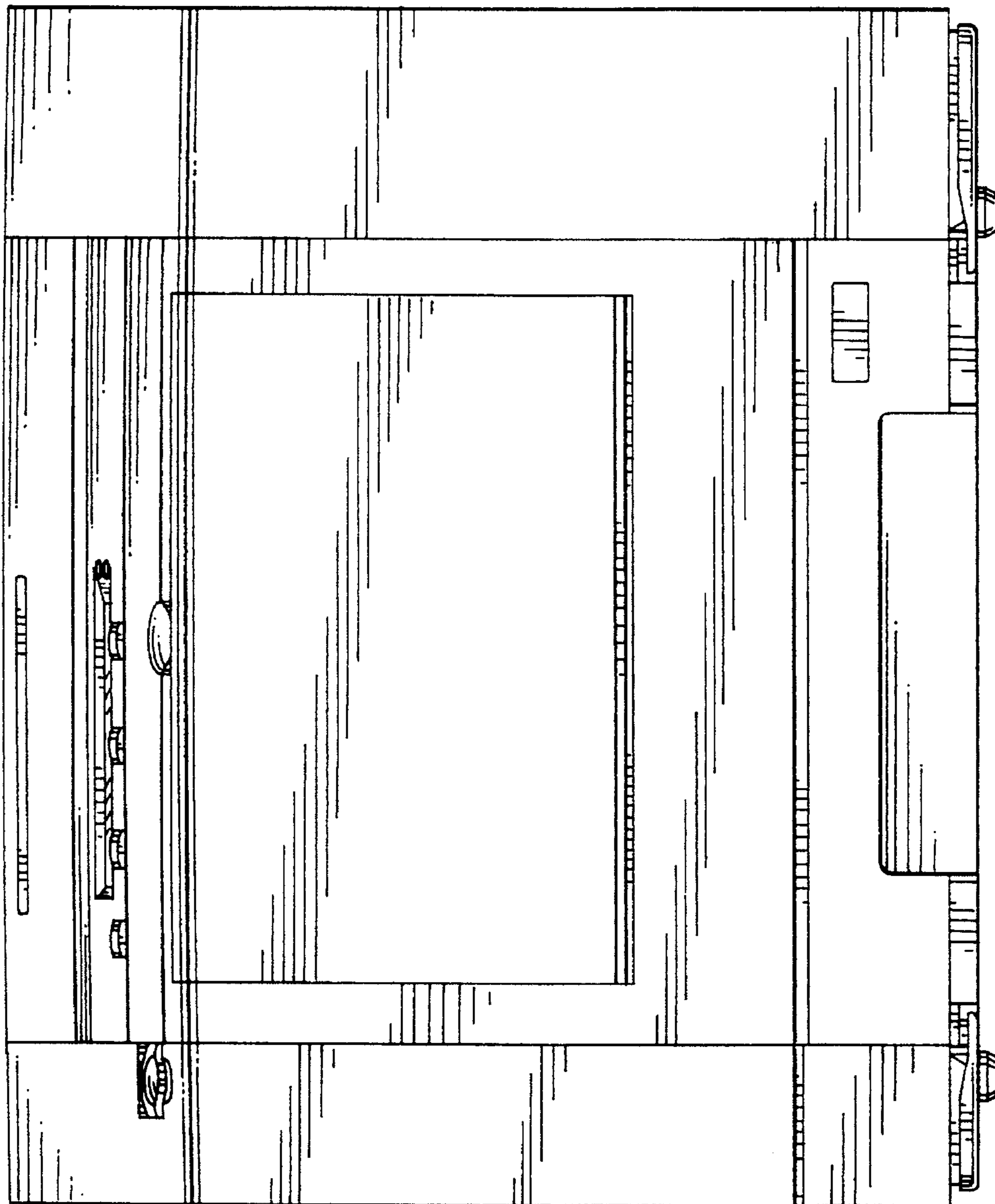


Fig.4

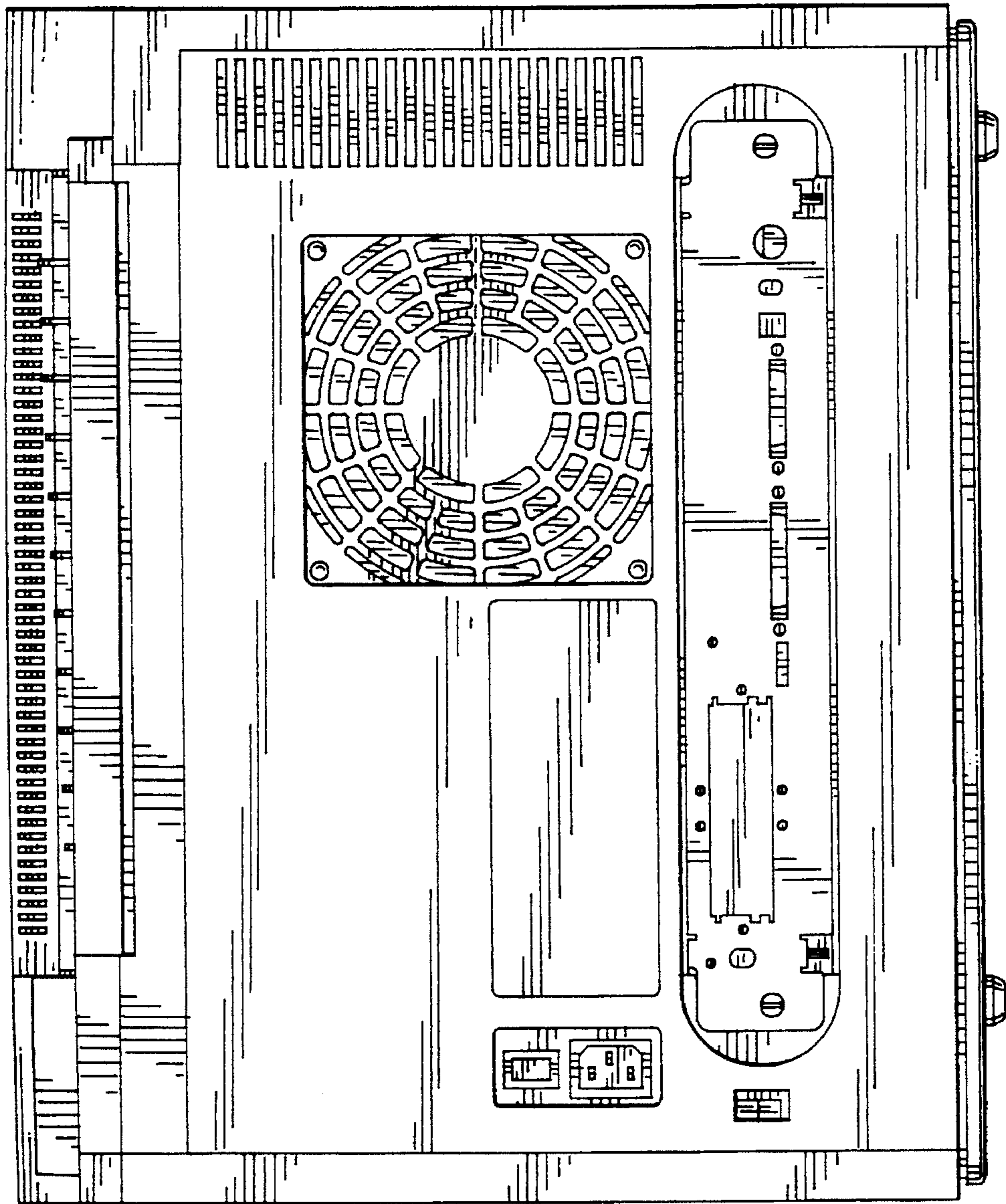


Fig. 5

Fig. 6

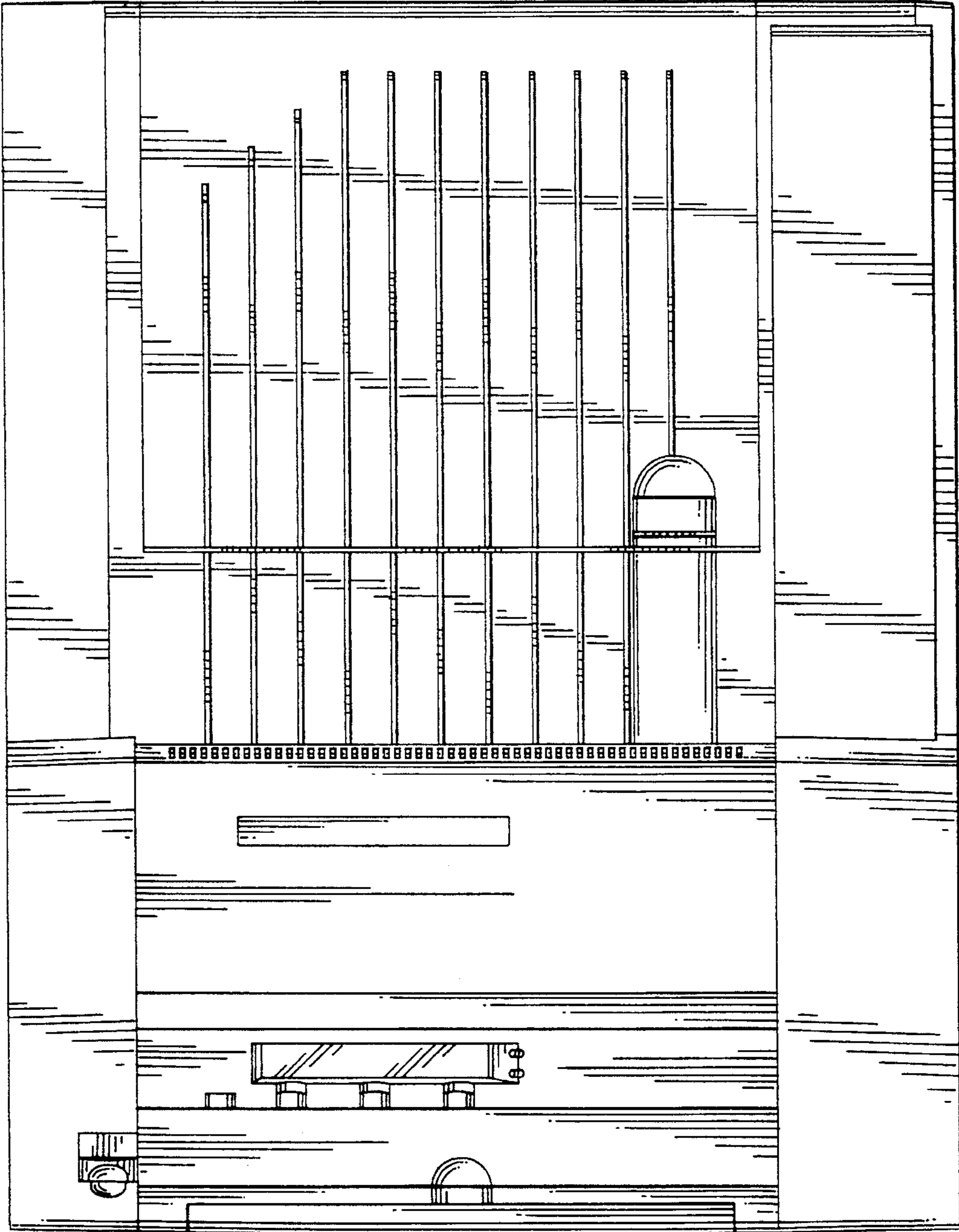


Fig. 7

