



US00D371149S

United States Patent [19]

[11] Patent Number: **Des. 371,149**

Usui et al.

[45] Date of Patent: ****Jun. 25, 1996**

[54] **TRIPOD FOR A CAMERA**

[75] Inventors: **Hisaichi Usui**, Tama; **Hisashi Tomioka**, Asaka, both of Japan

[73] Assignee: **Hakuba Photo Industry Co. Ltd.**, Tokyo, Japan

[**] Term: **14 Years**

[21] Appl. No.: **29,940**

[22] Filed: **Oct. 19, 1994**

[52] U.S. Cl. **D16/244**

[58] Field of Search D16/237, 242, D16/244, 245; 248/168-171, 188.6; 354/81, 293

[56] **References Cited**

U.S. PATENT DOCUMENTS

| | | | |
|------------|---------|--------------------|---------|
| D. 191,380 | 9/1961 | Kraus | D16/244 |
| D. 276,622 | 12/1984 | Mooney et al. | D16/244 |
| D. 290,963 | 7/1987 | Groschupp | D16/244 |
| 3,963,207 | 6/1976 | Guasti | 248/168 |
| 4,997,152 | 3/1991 | Wagman et al. | 248/168 |

FOREIGN PATENT DOCUMENTS

| | | | |
|--------|--------|--------------|---------|
| 612692 | 8/1926 | France | 248/168 |
|--------|--------|--------------|---------|

Primary Examiner—Prabhakar G. Deshmukh

Assistant Examiner—Adir Aronovich

Attorney, Agent, or Firm—Lackebach Siegel Marzullo Aronson and Greenspan

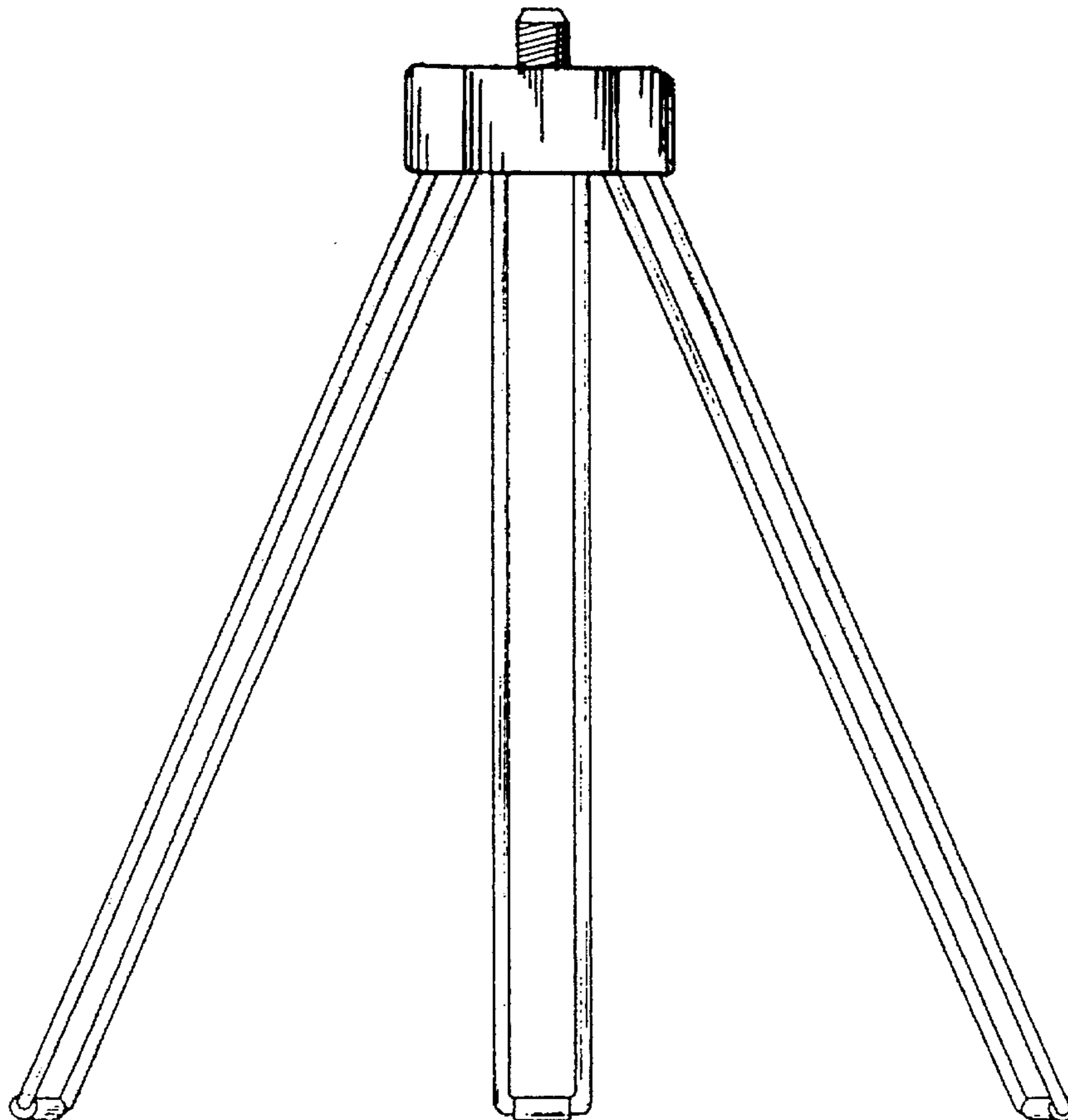
[57] **CLAIM**

The ornamental design for a tripod for a camera, as shown and described.

DESCRIPTION

FIG. 1 is a front elevational view of a tripod for a camera in the full opened position showing my new design;
 FIG. 2 is a right hand side elevational view thereof in full opened position;
 FIG. 3 is a top plan view thereof in the full opened position;
 FIG. 4 is a bottom plan view thereof in the full opened position;
 FIG. 5 is a rear elevational view thereof in the full opened position;
 FIG. 6 is a perspective view thereof in the full opened position; and,
 FIG. 7 is a perspective view thereof in the closed position.
 The left hand side elevational view not shown herein is a mirror image of the right hand side elevational view shown in FIG. 2.

1 Claim, 4 Drawing Sheets



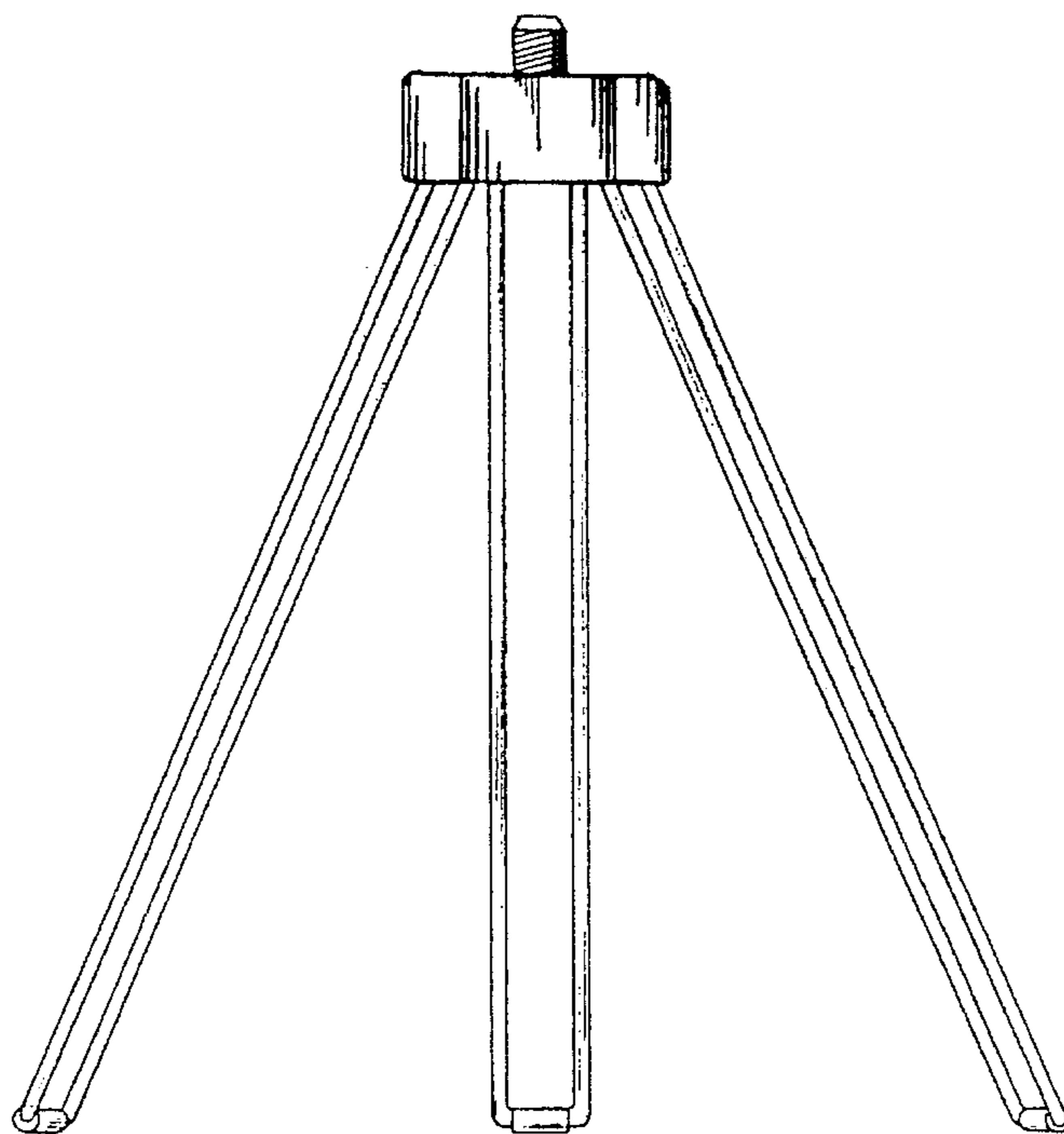


FIG. 1

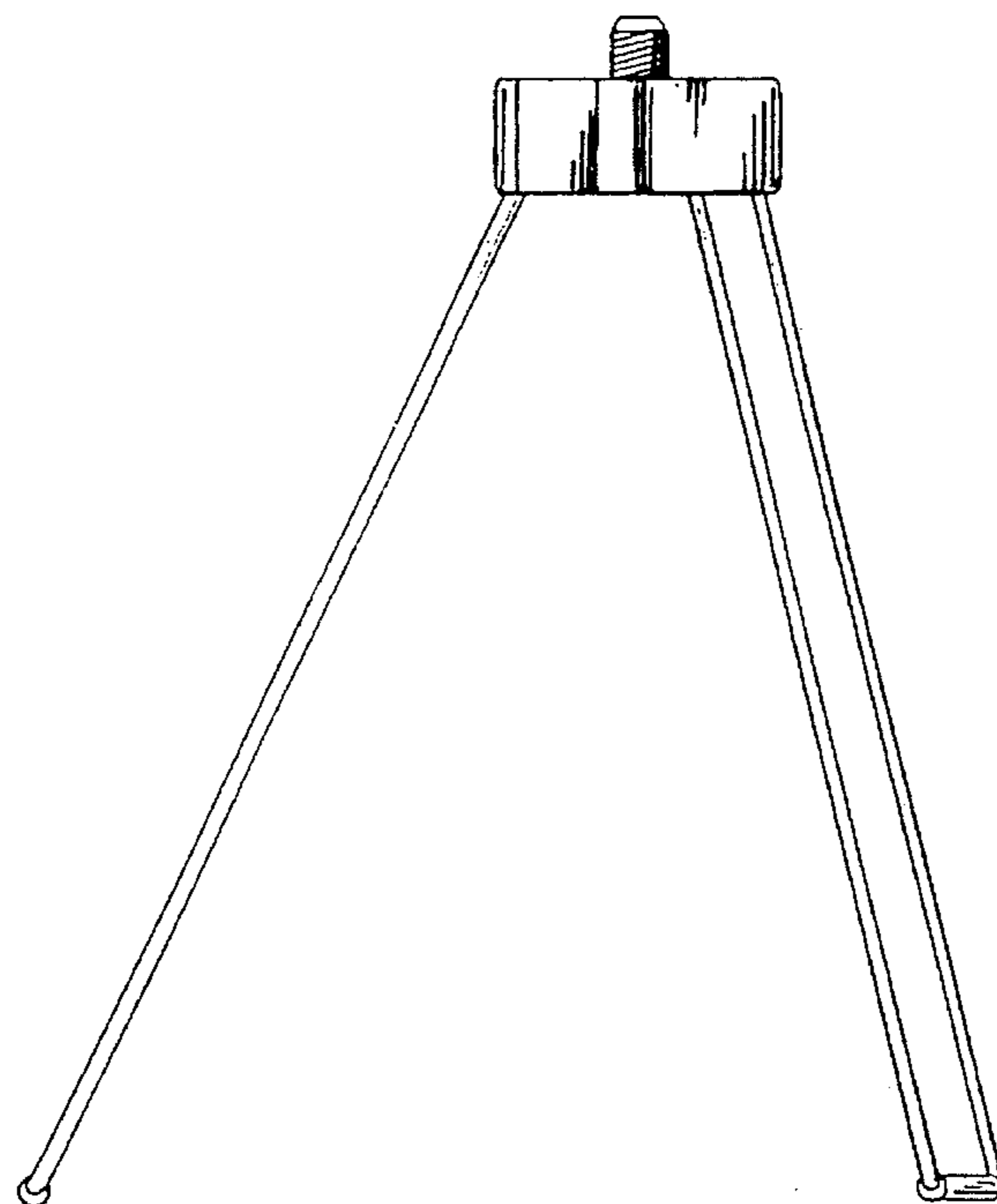


FIG. 2

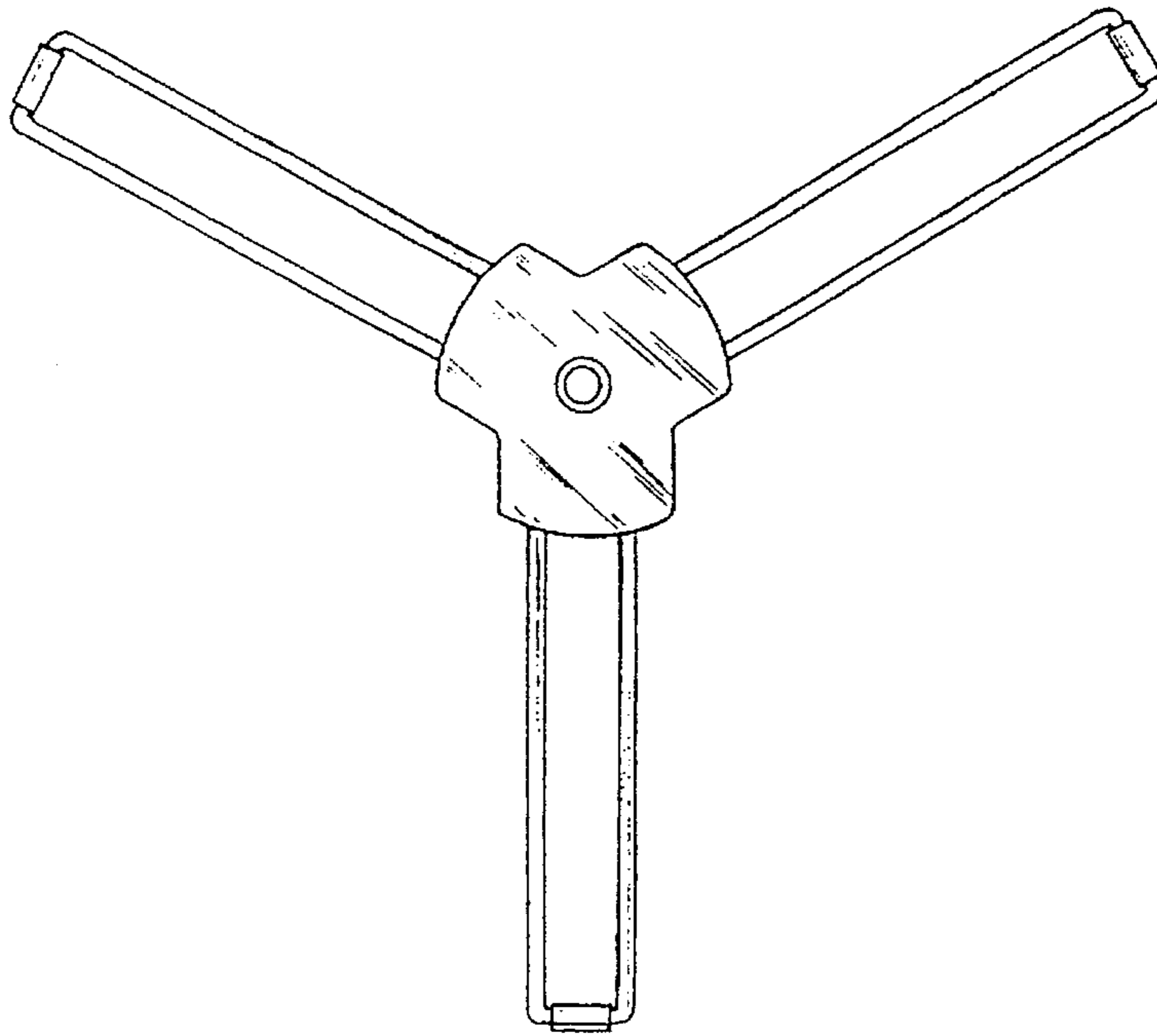


FIG. 3

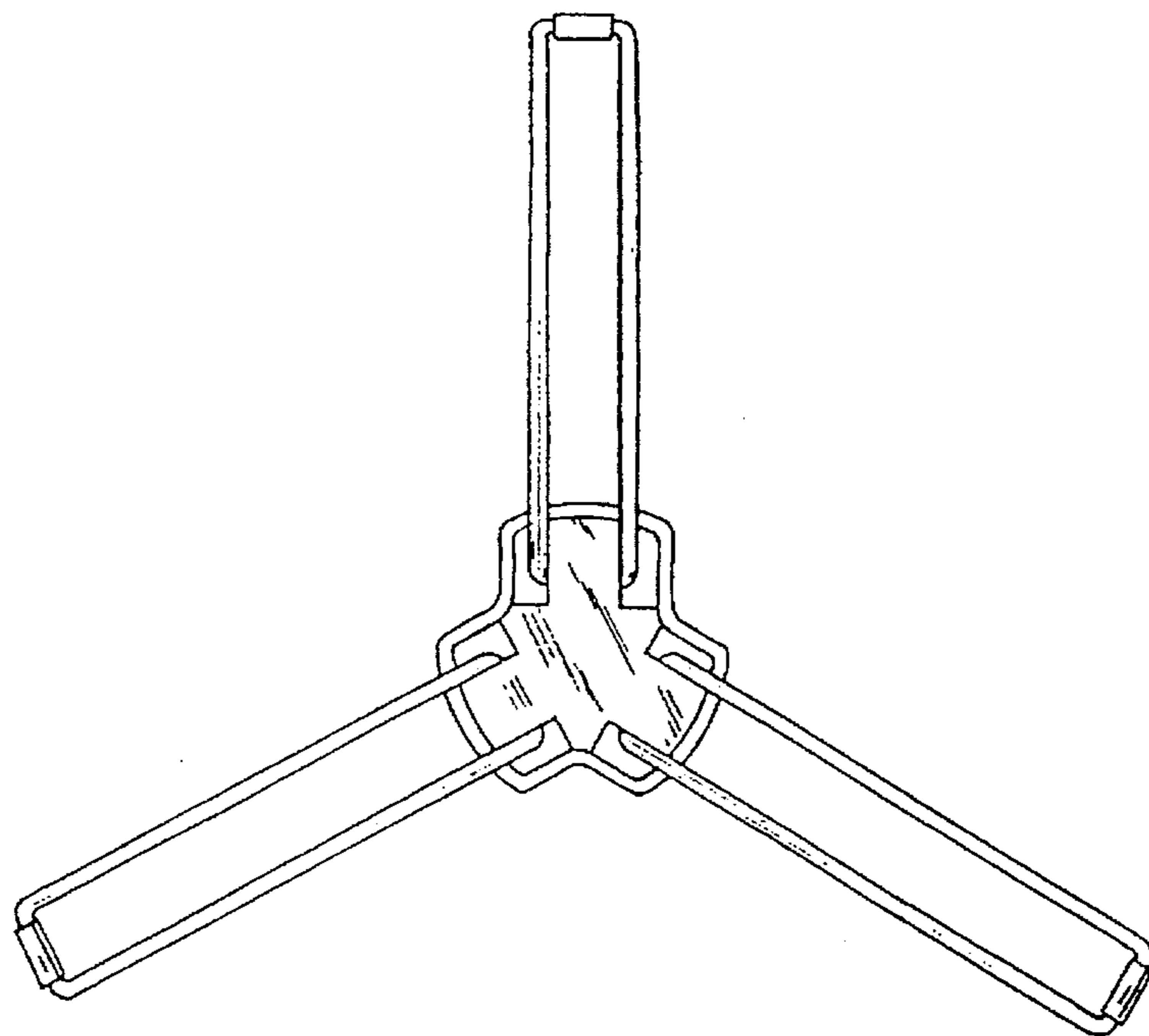


FIG. 4

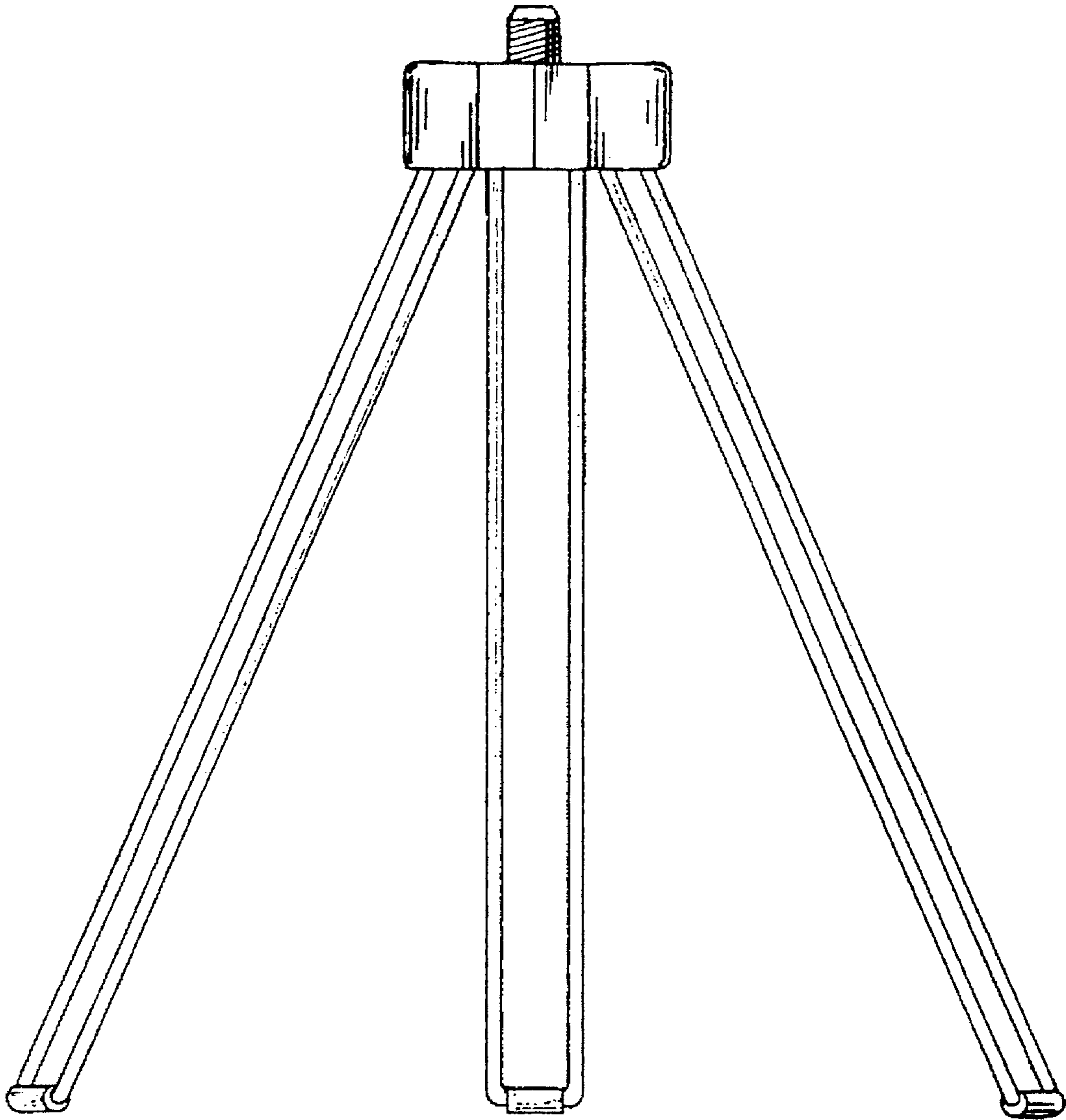


FIG. 5

FIG. 6

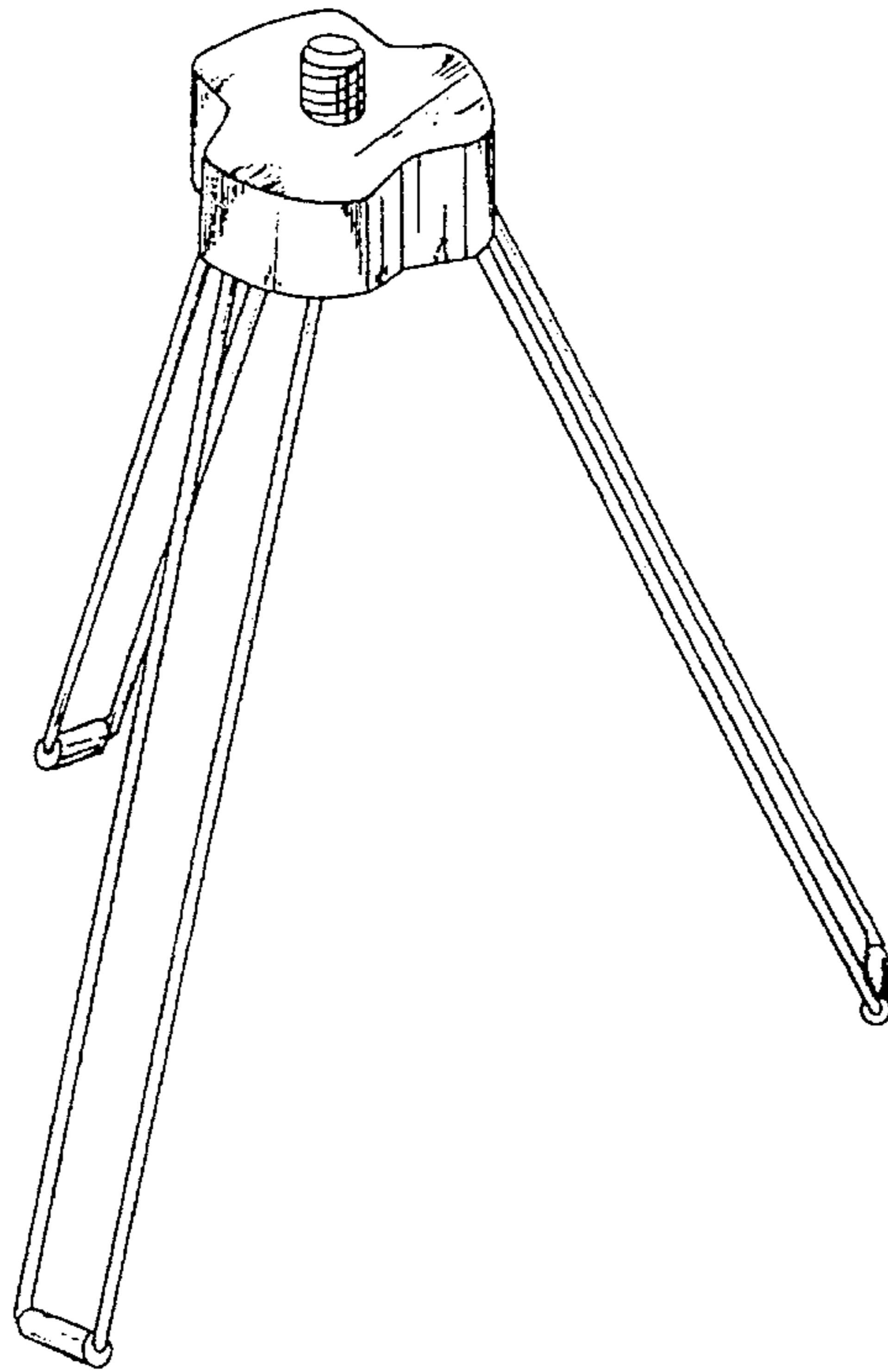


FIG. 7

