



US00D371148S

**United States Patent** [19]  
**Kobayashi**

[11] **Patent Number: Des. 371,148**  
[45] **Date of Patent: \*\*Jun. 25, 1996**

[54] **PROJECTOR**

[75] Inventor: **Makoto Kobayashi**, Suwa, Japan

[73] Assignee: **Seiko Epson**, Tokyo, Japan

[\*\*] Term: **14 Years**

[21] Appl. No.: **36,748**

[22] Filed: **Mar. 27, 1995**

[30] **Foreign Application Priority Data**

Oct. 13, 1994 [JP] Japan ..... 6-30798

[52] **U.S. Cl.** ..... **D16/221; D16/225; D16/230**

[58] **Field of Search** ..... **D16/200-205,**  
**D16/208, 213, 221, 225, 230, 231, 234;**  
**348/373-376; 353/115, 119, 122**

[56] **References Cited**

**U.S. PATENT DOCUMENTS**

D. 211,211	5/1968	Steinbach .....	D16/234
D. 339,817	9/1993	Fukuda et al. ....	D16/230
D. 356,103	3/1995	Saeki et al. ....	D16/221
3,269,793	8/1966	White, Jr. ....	D16/230

**OTHER PUBLICATIONS**

National Audio Visual Supply Catalog, 1994, p. 74 (InFocus LitePro LS 526-847).

Catalog of "XV-P1" projector in the name of SHARP CORPORATION, dated Aug. 1993, p. 3.

*Primary Examiner*—Ted Shooman

*Assistant Examiner*—Adir Aronovich

*Attorney, Agent, or Firm*—Oliff & Berridge

[57] **CLAIM**

The ornamental design for a projector, as shown and described.

**DESCRIPTION**

FIG. 1 is a front perspective view of a projector showing my new design;

FIG. 2 is a front view thereof;

FIG. 3 is a rear view thereof;

FIG. 4 is a top plan view thereof;

FIG. 5 is a right side view thereof;

FIG. 6 is a left side view thereof; and,

FIG. 7 is a bottom view thereof.

**1 Claim, 3 Drawing Sheets**

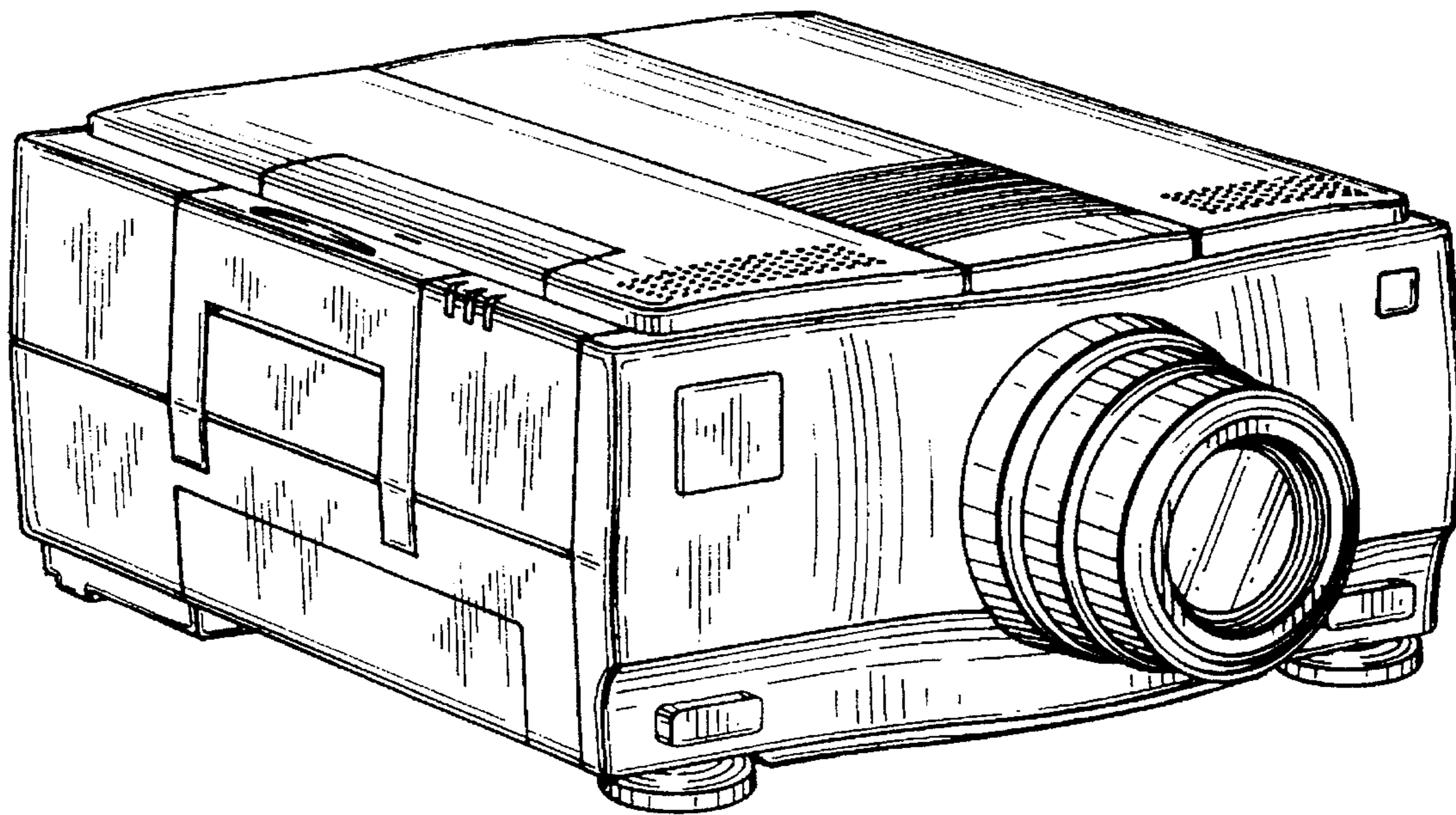


FIG. 1

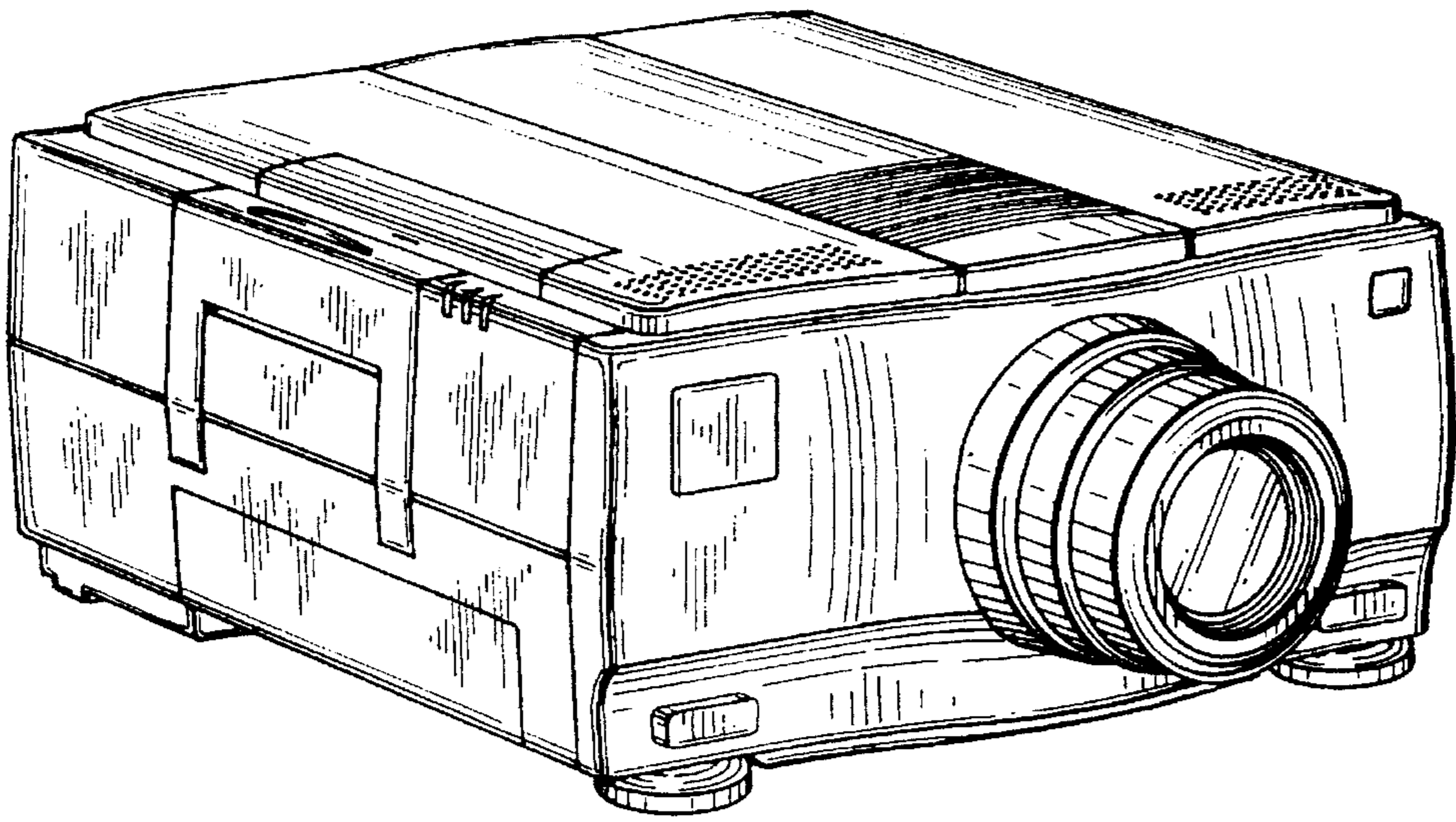


FIG. 2

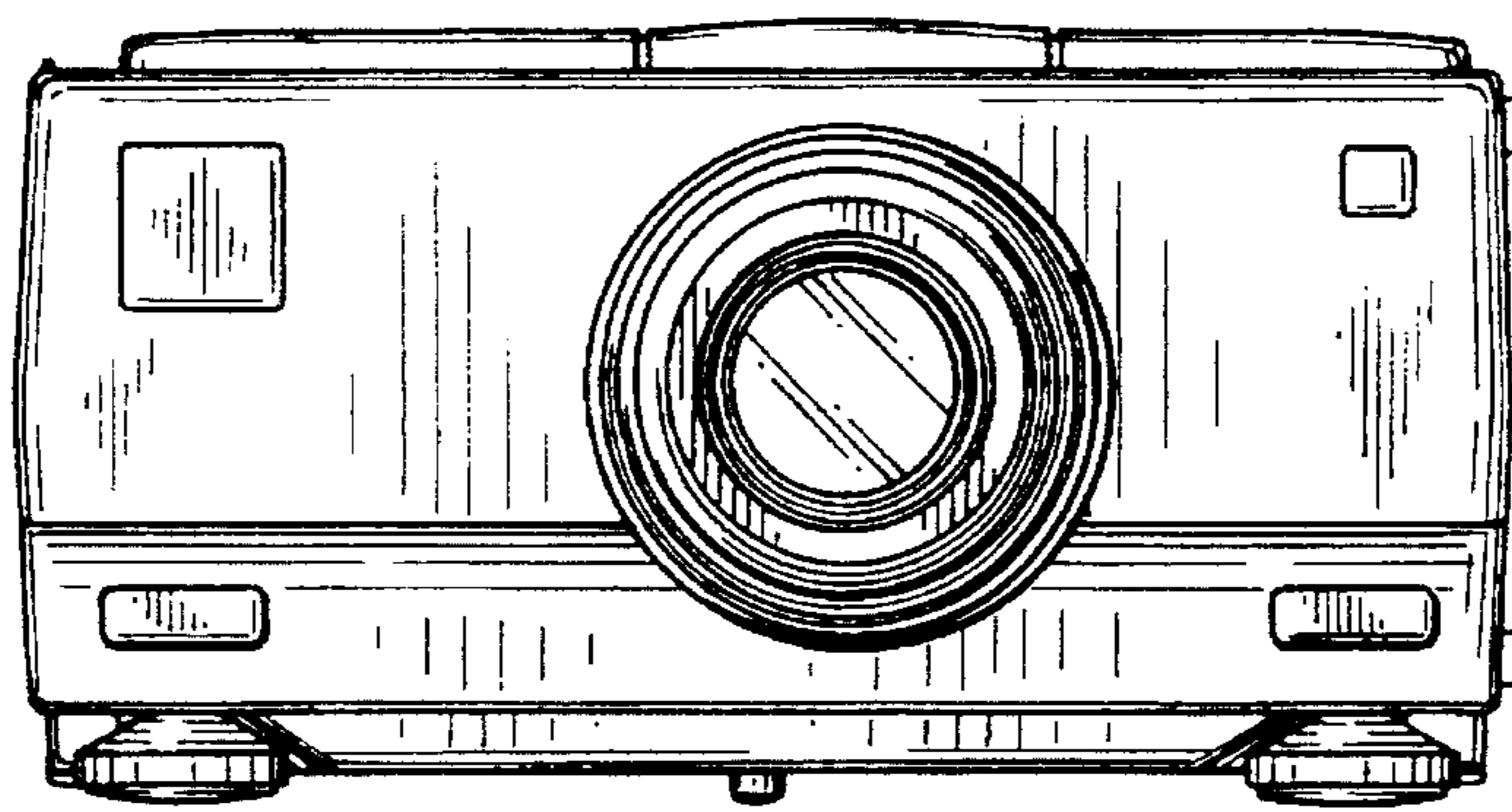


FIG. 3

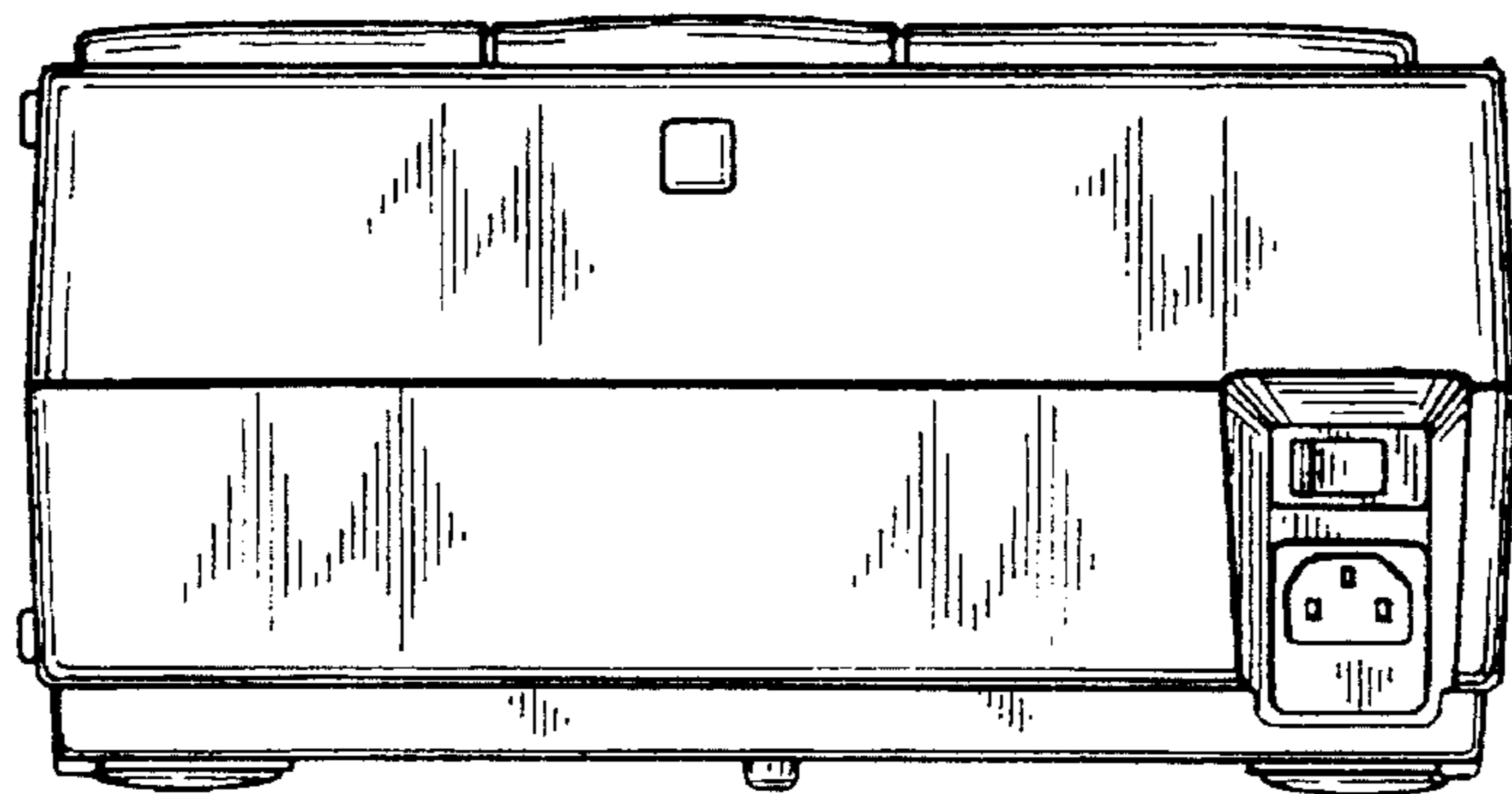


FIG. 4

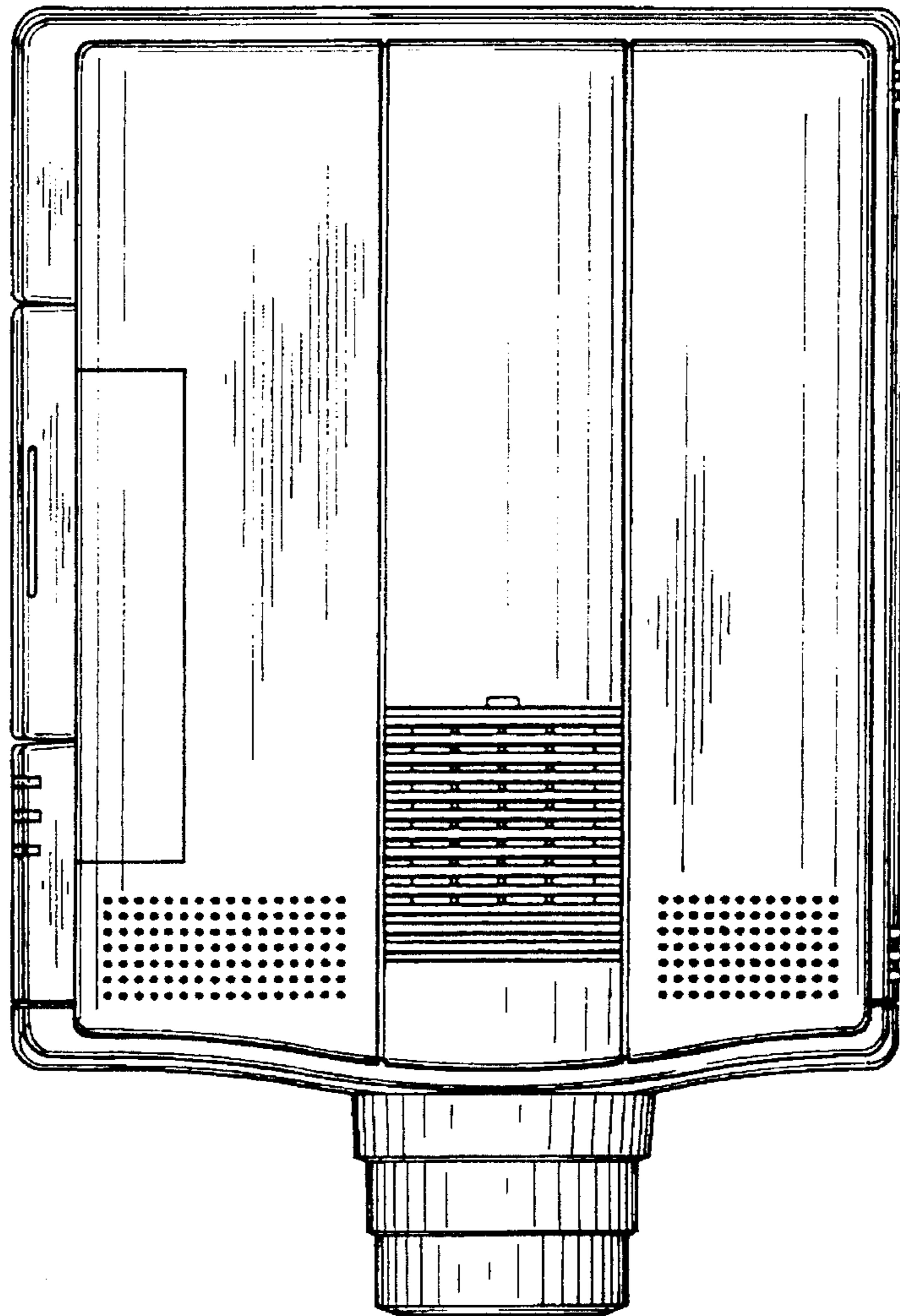


FIG. 5

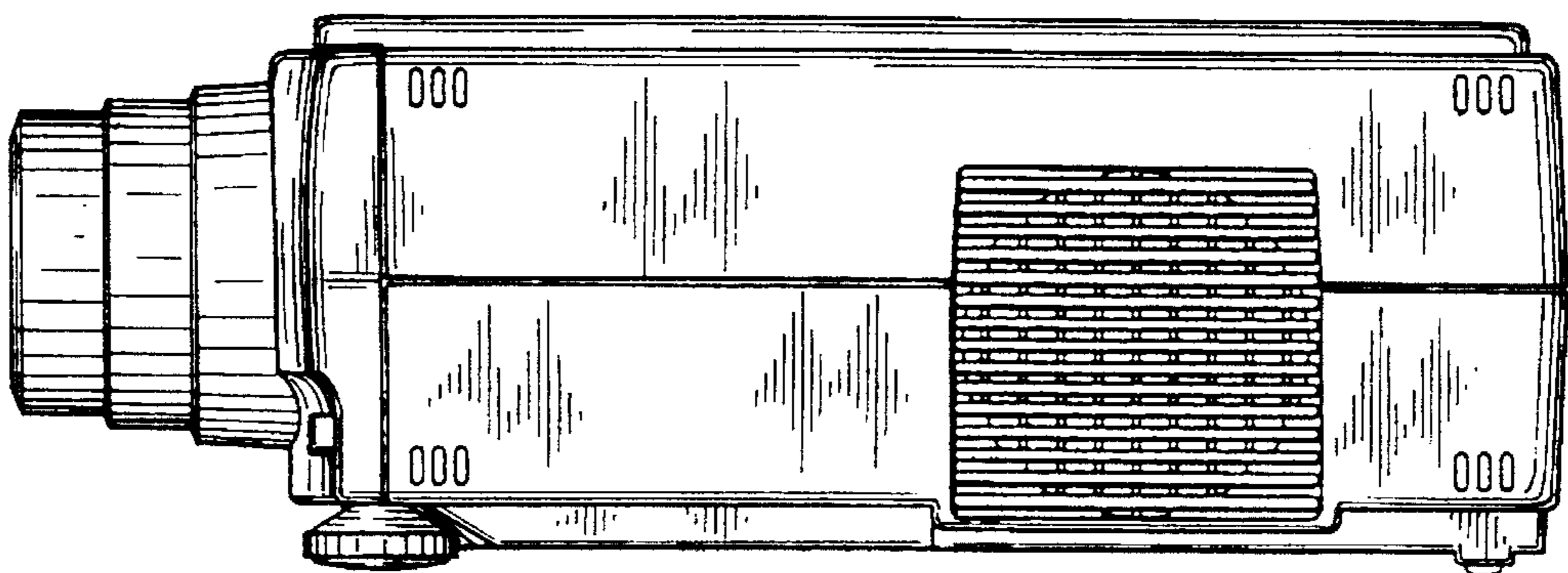


FIG. 6

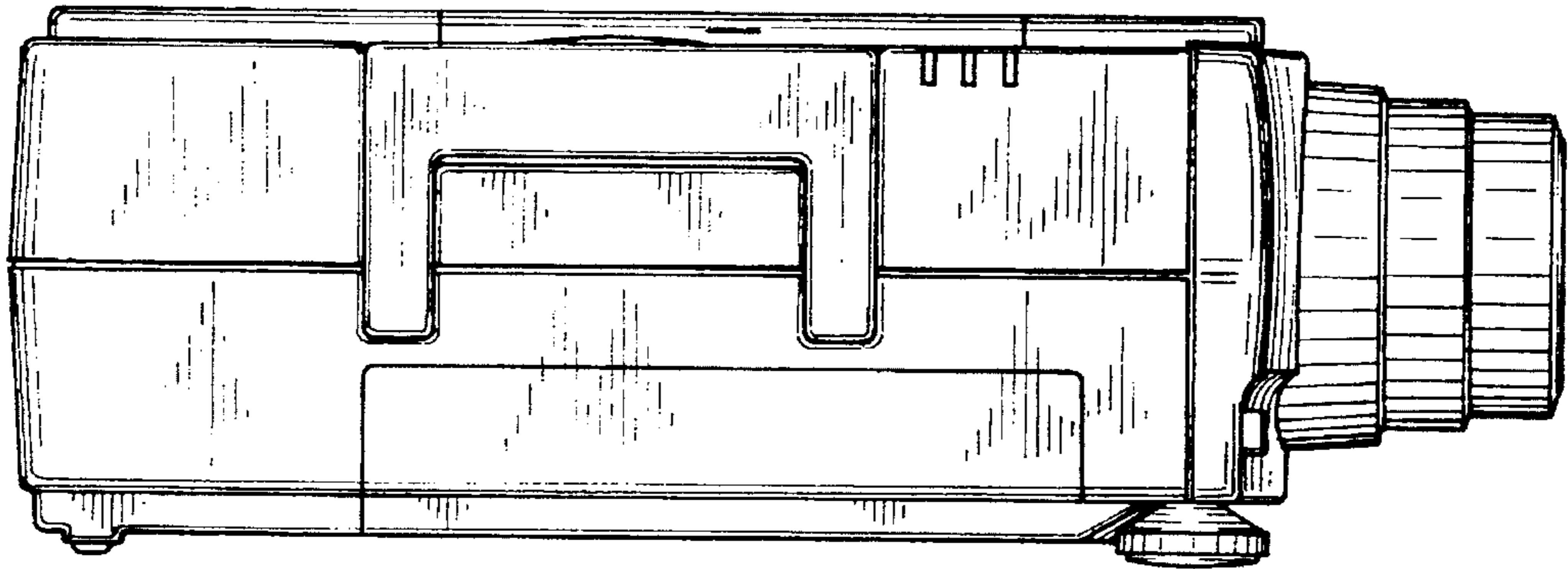


FIG. 7

