



US00D371147S

United States Patent [19]

[11] Patent Number: **Des. 371,147**

Mori

[45] Date of Patent: ***** Jun. 25, 1996**

[54] VIDEO CAMERA WITH VIDEO TAPE RECORDER

FOREIGN PATENT DOCUMENTS

4-355570 12/1992 Japan H04N 5/225

[75] Inventor: **Masakazu Mori**, Ehime, Japan

OTHER PUBLICATIONS

[73] Assignee: **Matsushita Electric Industrial Co., Ltd.**, Osaka, Japan

Ritz Camera Catalog, Aug. 1991 p. 24 (Panasonic PV-21).
Video Magazine, Nov. 1991 p. 3 (Panasonic PV-41).
Copy of catalog VICTOR's issued on Aug. 1993.

[*] Notice: The portion of the term of this patent subsequent to Feb. 13, 2010, has been disclaimed.

Primary Examiner—Terry A. Wallace
Assistant Examiner—Adir Aronovich
Attorney, Agent, or Firm—Sughrue, Mion, Zinn, Macpeak & Seas

[**] Term: **14 Years**

[57] CLAIM

[21] Appl. No.: **28,762**

The ornamental design for a video camera with video tape recorder, as shown and described.

[22] Filed: **Sep. 22, 1994**

[30] Foreign Application Priority Data

DESCRIPTION

Mar. 23, 1994 [JP] Japan 6-7725

[52] U.S. Cl. **D16/202**

[58] Field of Search D16/200-206;
348/373-376, 207; 352/34, 242, 243; 354/82,
288; 358/906

FIG. 1 is a perspective view of the top, front and right side of a video camera with video tape recorder showing my new design;

FIG. 2 is a perspective view of the rear, top and left side thereof;

FIG. 3 is a right side elevational view thereof;

FIG. 4 is a top plan view thereof;

FIG. 5 is a left side elevational view thereof;

FIG. 6 is a front elevational view thereof;

FIG. 7 is a rear elevational view thereof;

FIG. 8 is a bottom plan view thereof; and,

FIG. 9 is a perspective view similar to FIG. 2 with the view finder pivoted to a travel position.

[56] References Cited

U.S. PATENT DOCUMENTS

D. 342,538	12/1993	Mori et al.	D16/202
D. 343,403	1/1994	Takano et al.	D16/202
D. 349,908	8/1994	Miyahara	D16/202
D. 349,909	8/1994	Mori et al.	D16/202
D. 349,910	8/1994	Takano et al.	D16/202
5,132,800	7/1992	Wada	348/375

1 Claim, 4 Drawing Sheets

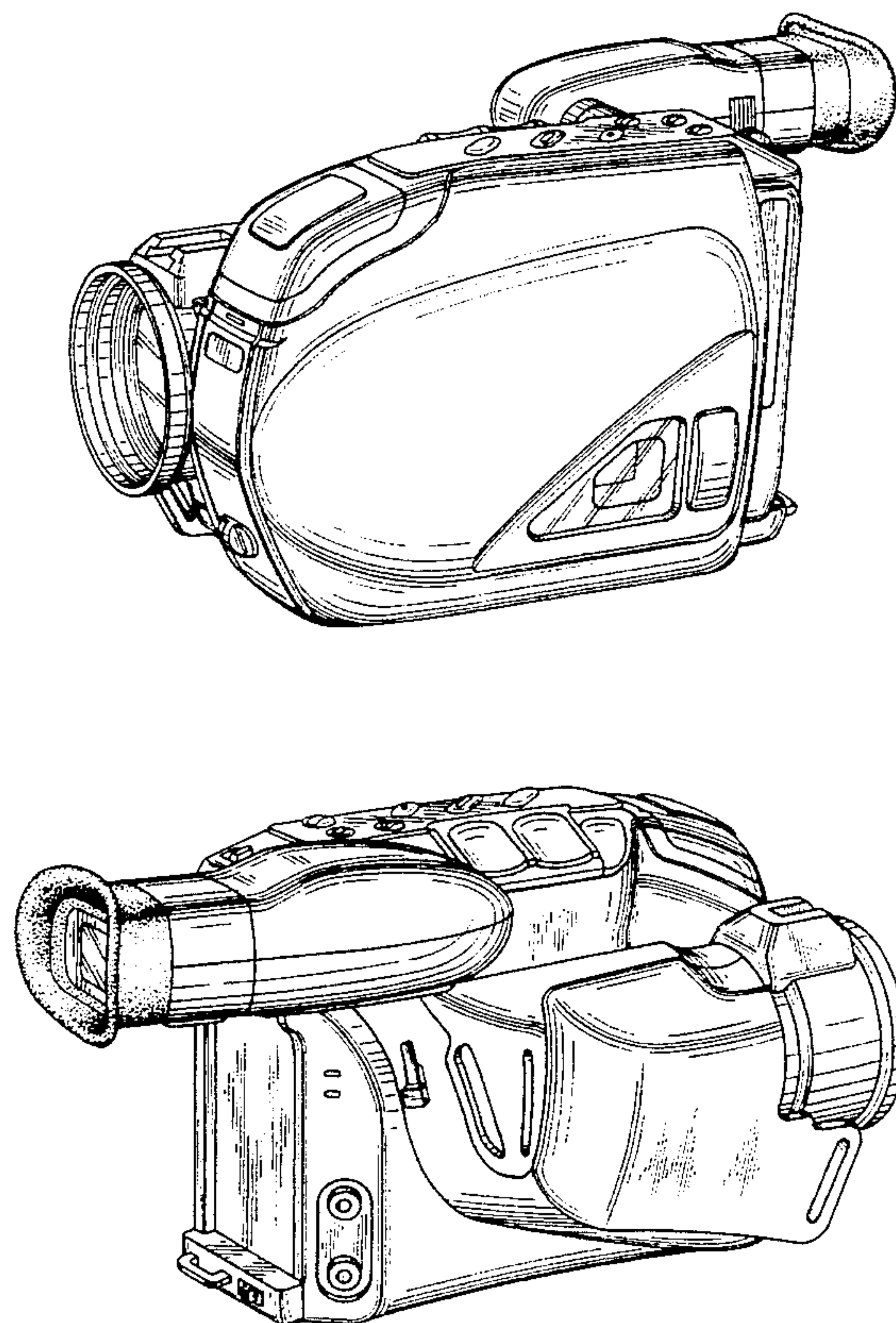


FIG. 1

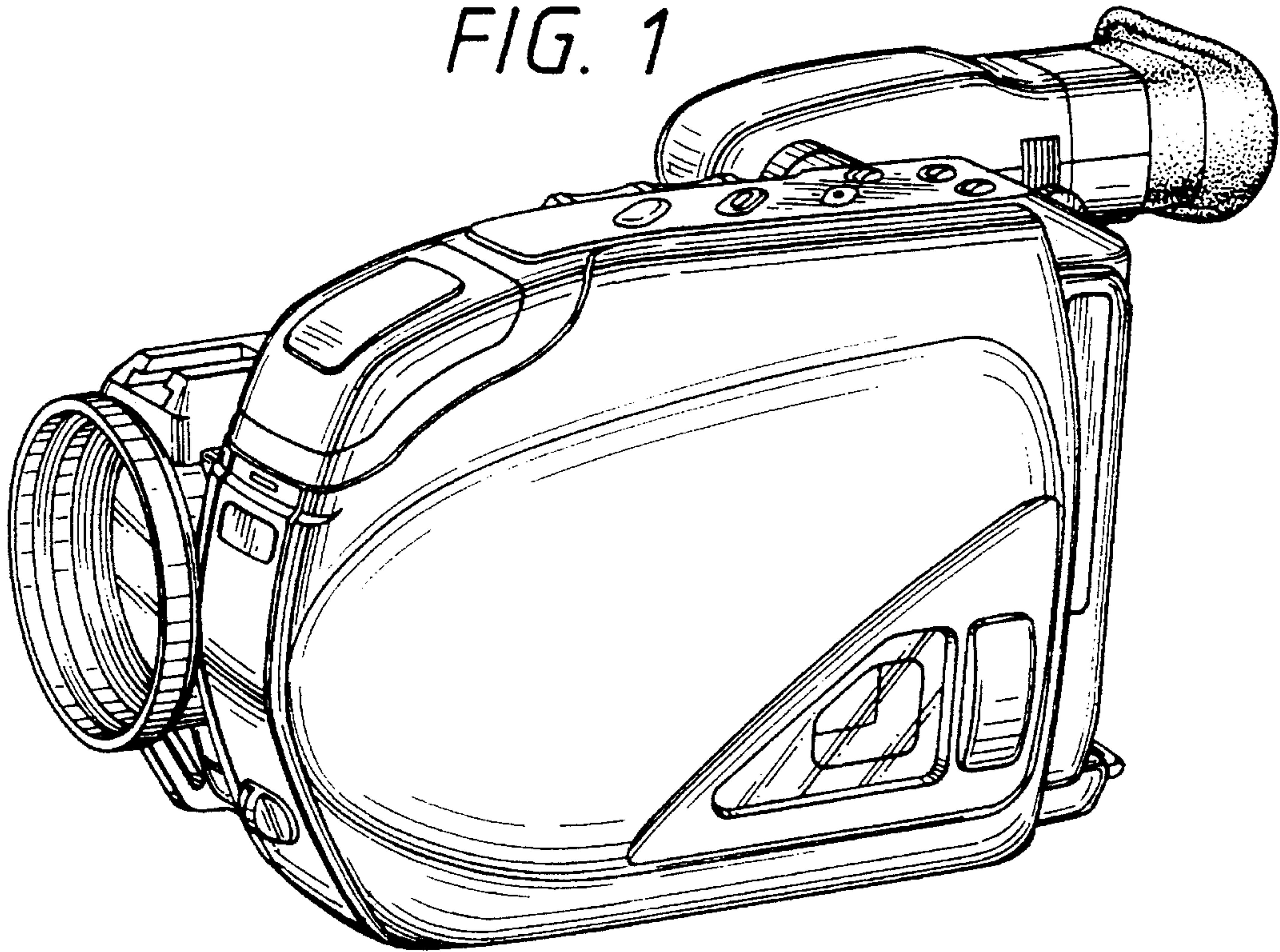


FIG. 2

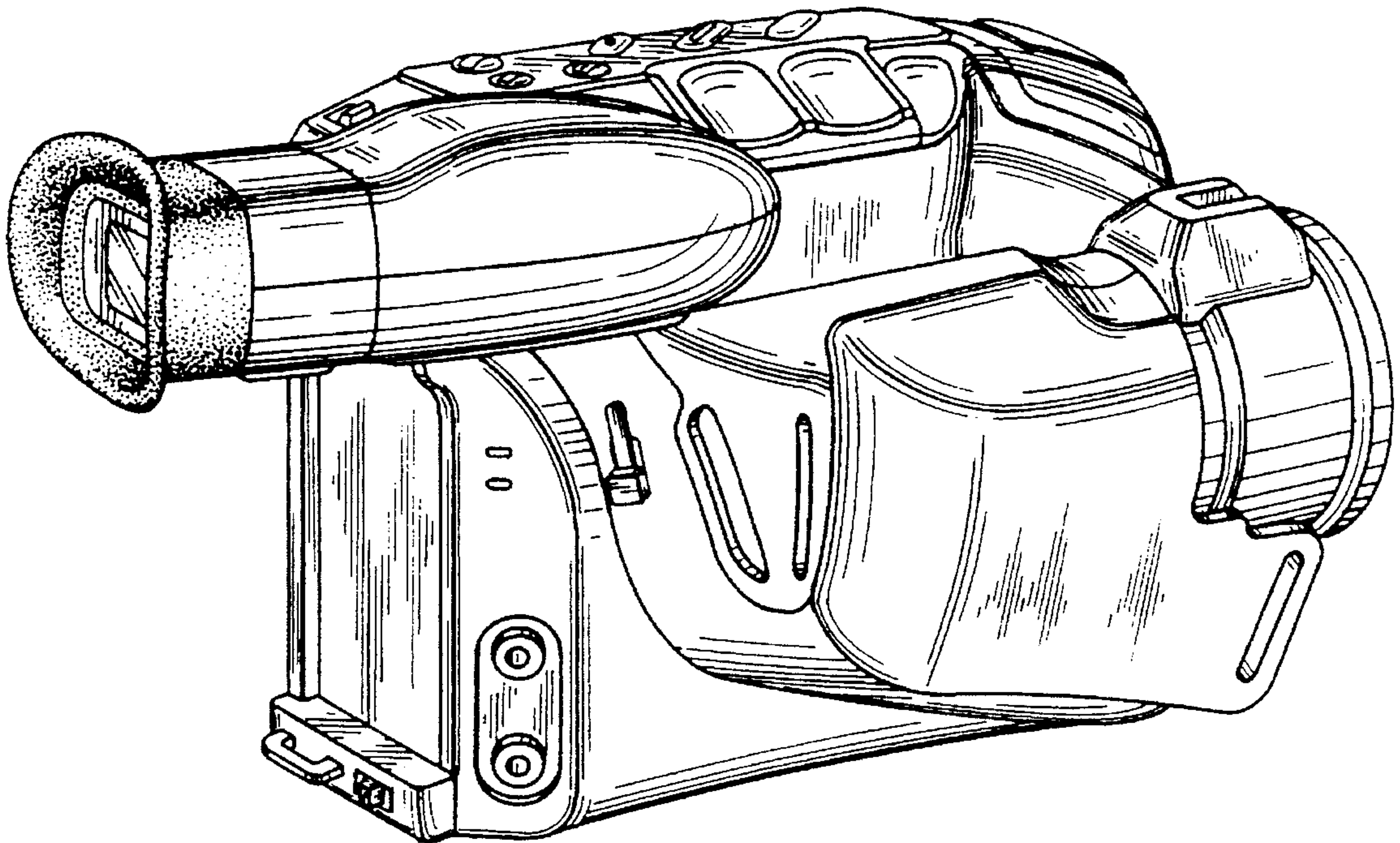


FIG. 3

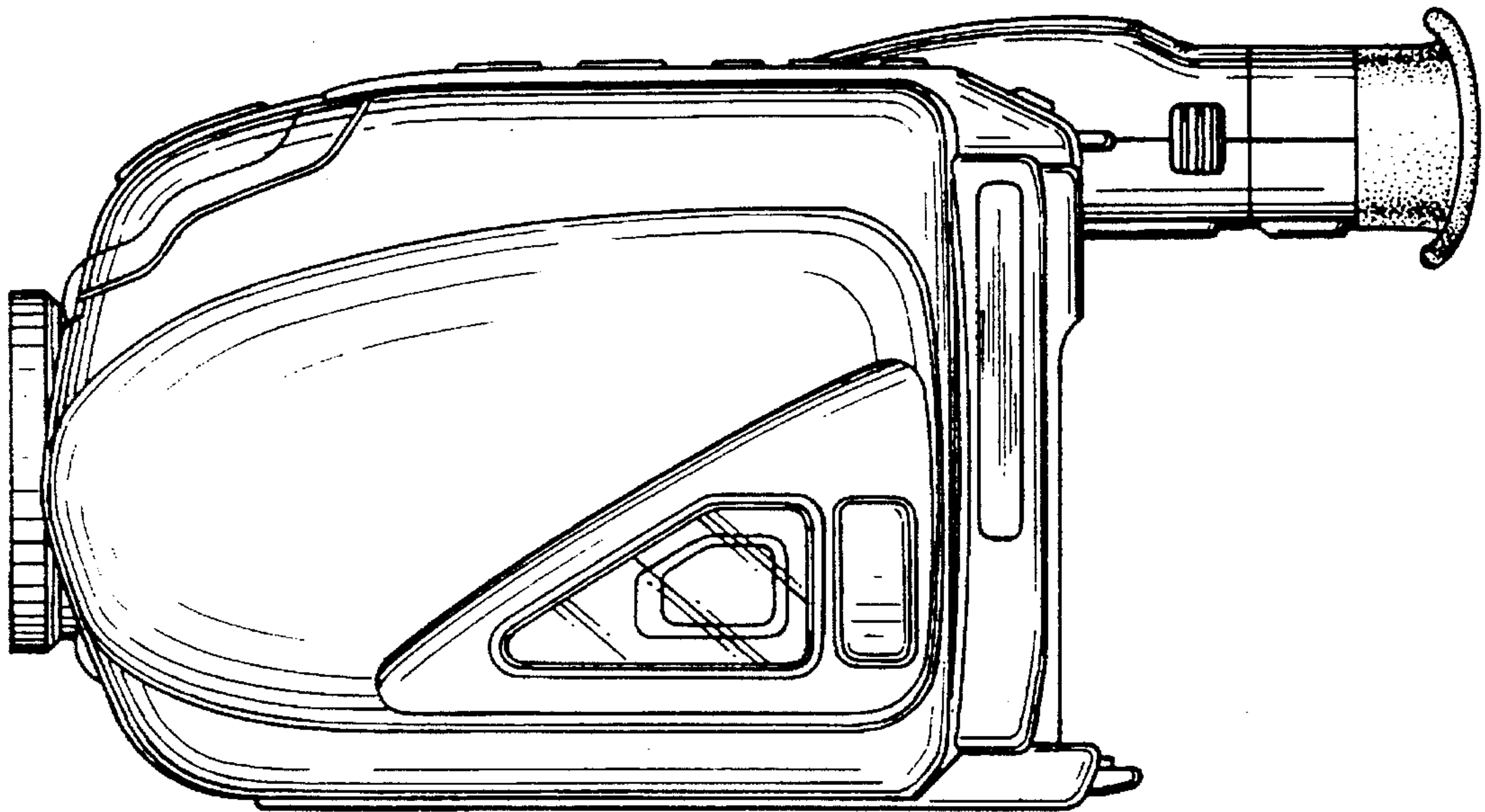


FIG. 4

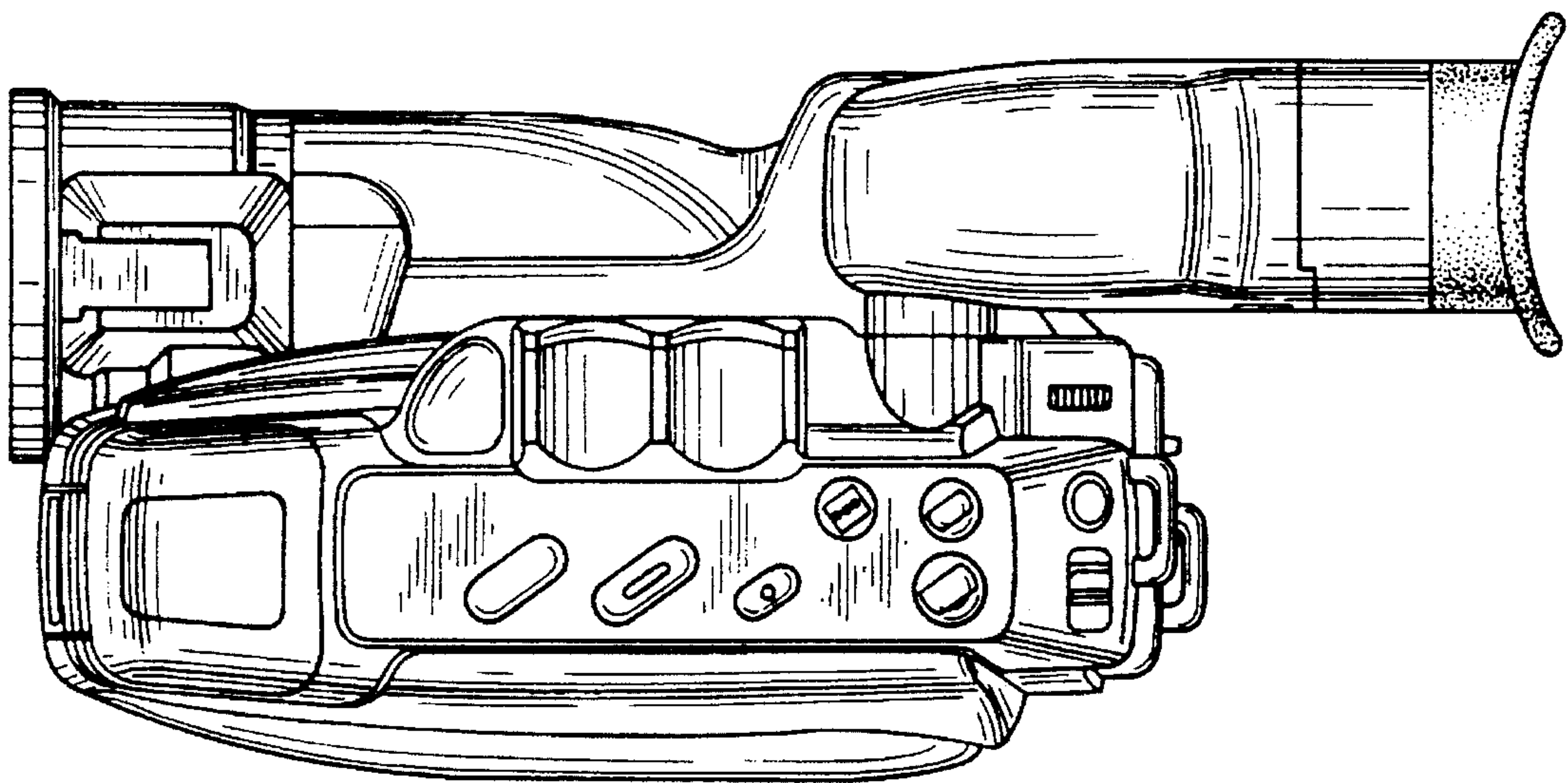


FIG. 5

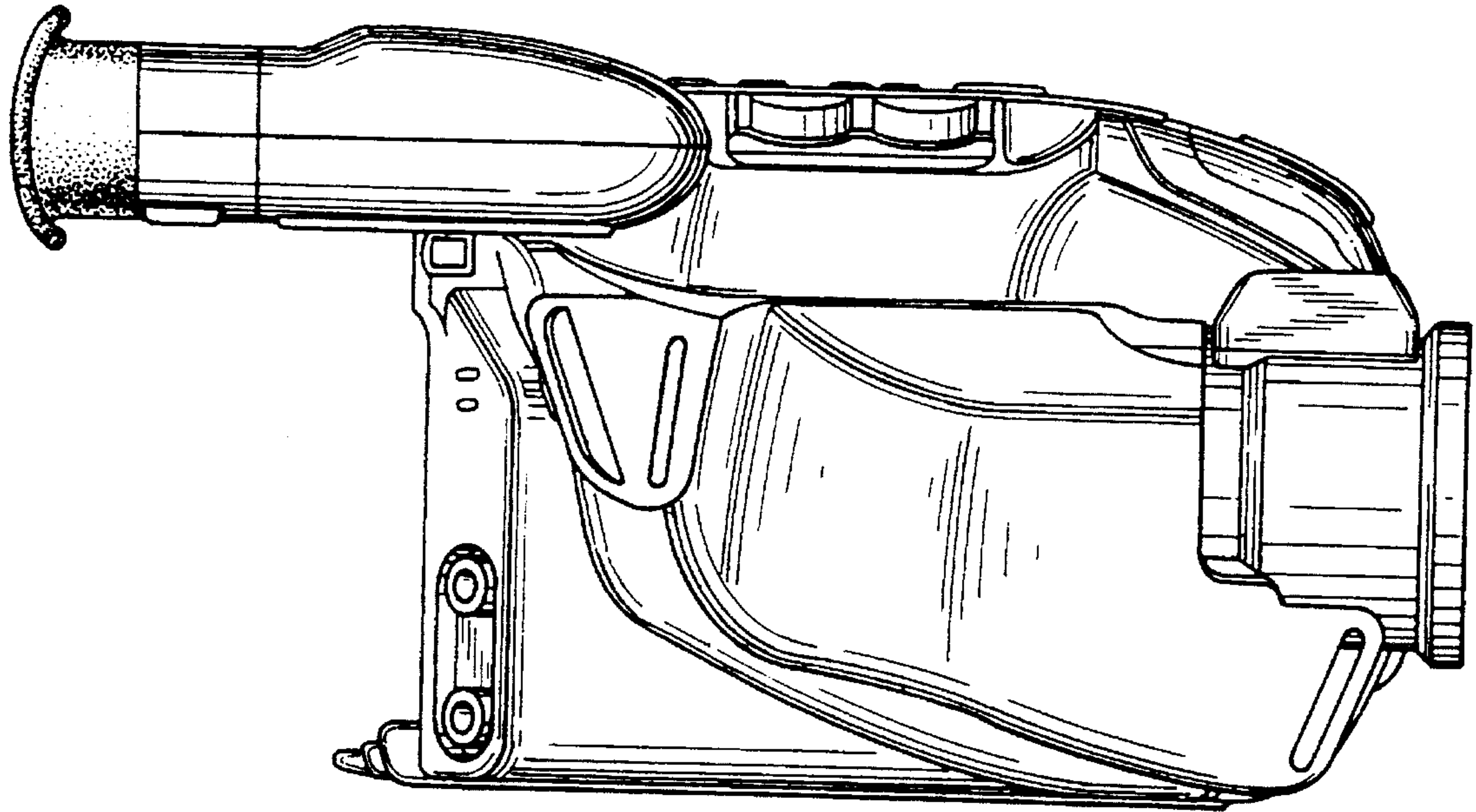


FIG. 6

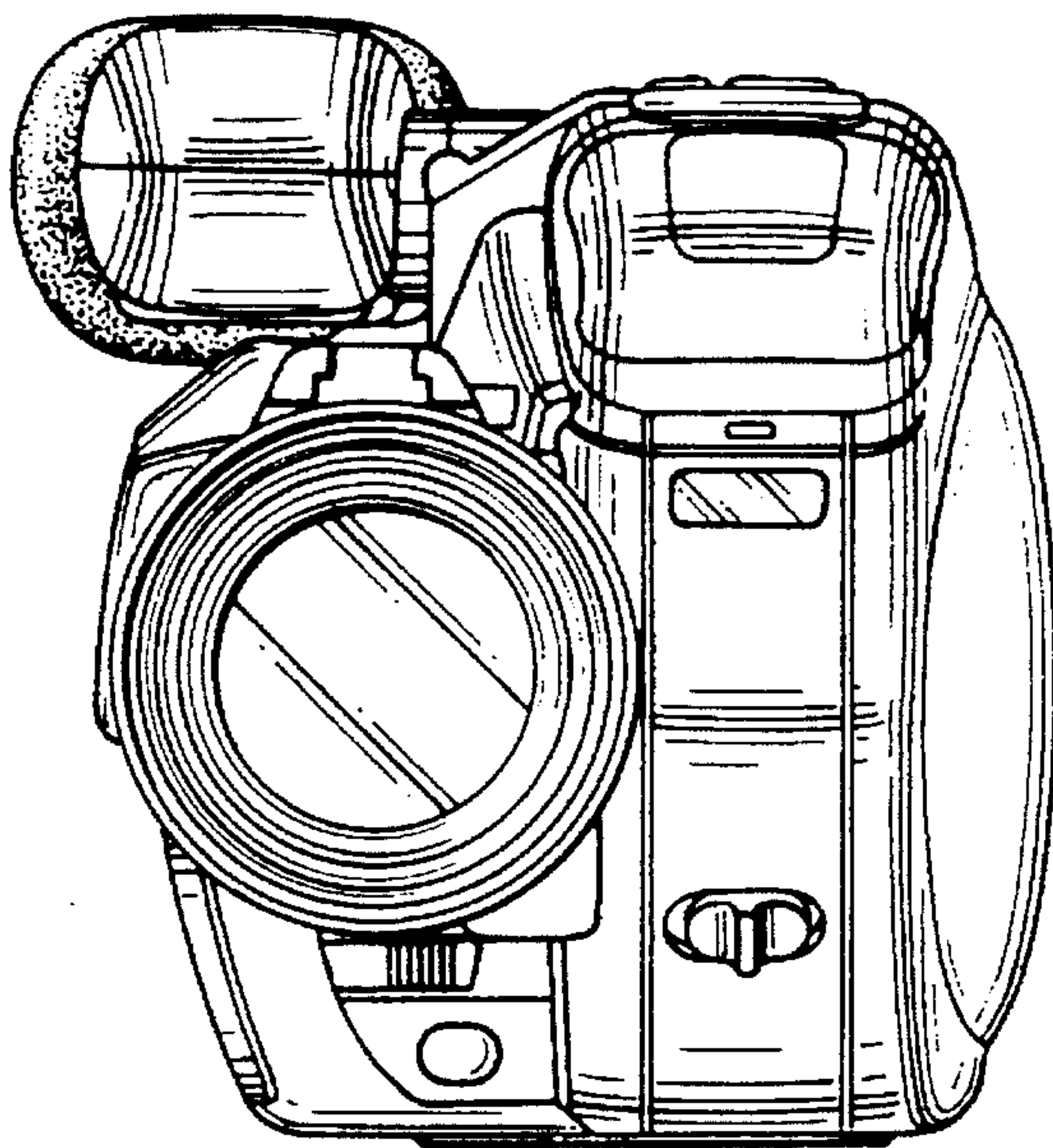


FIG. 7

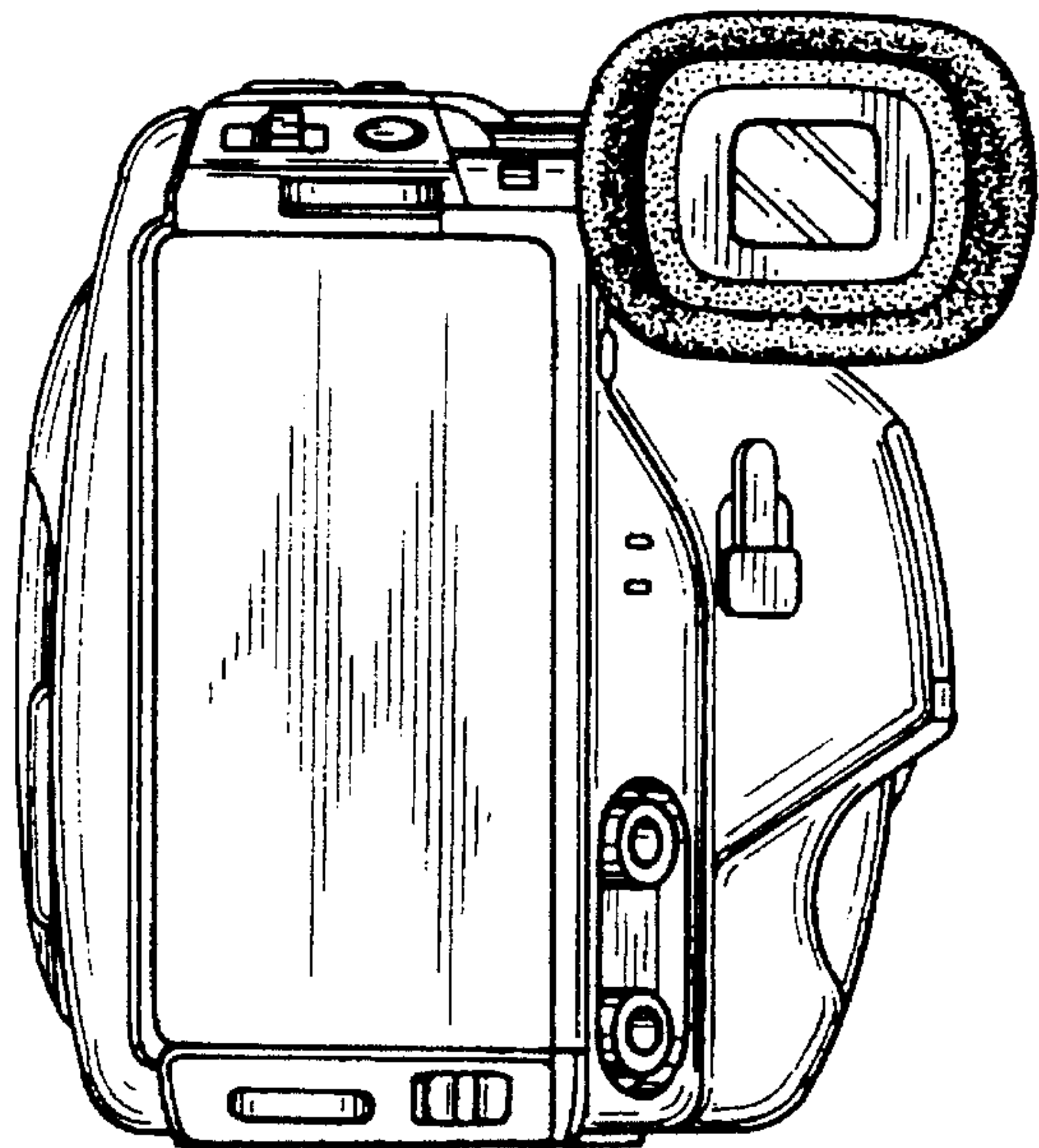


FIG. 8

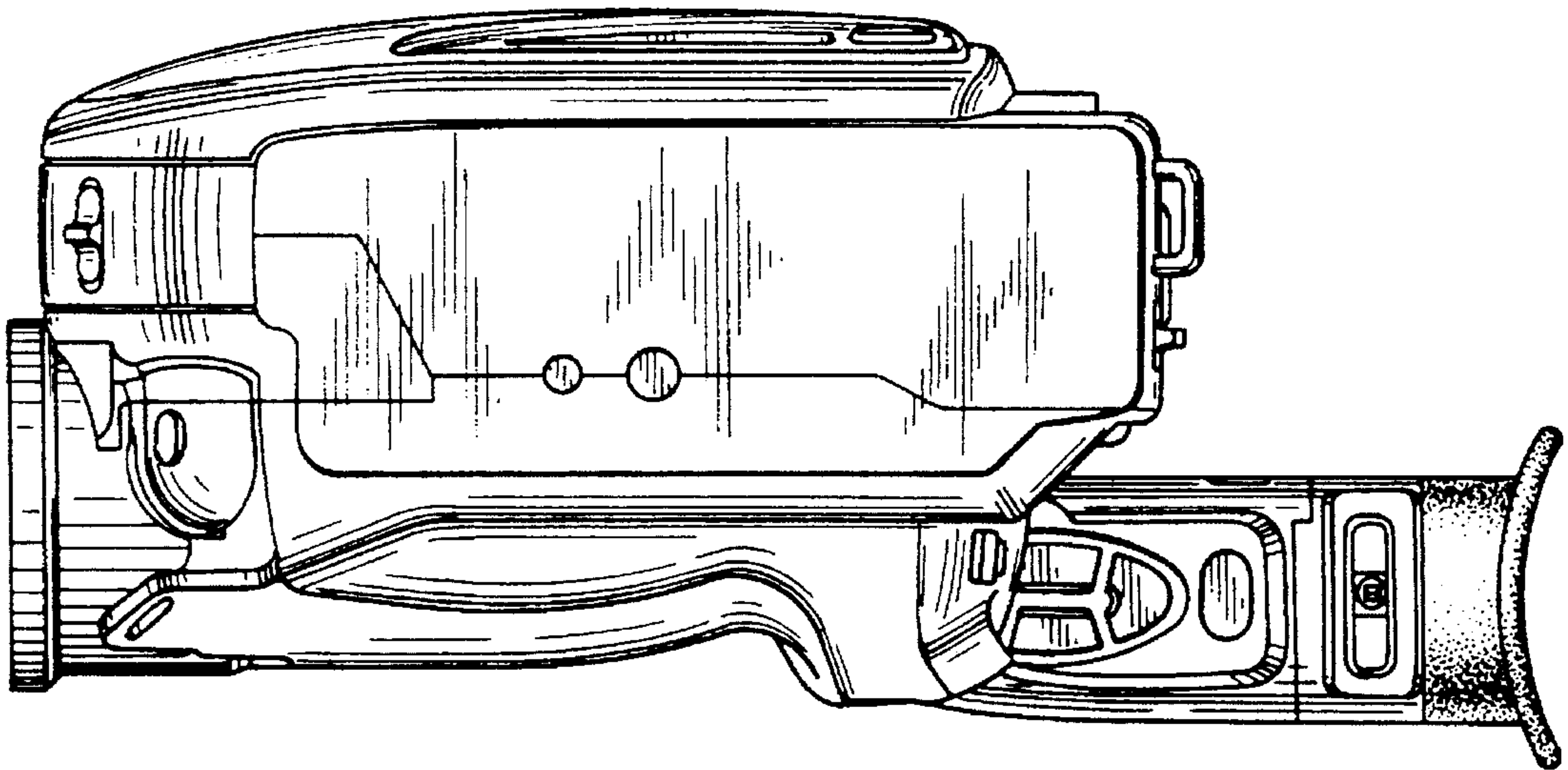


FIG. 9

