



US00D371145S

United States Patent [19] Thacker

[11] Patent Number: **Des. 371,145**

[45] Date of Patent: ****Jun. 25, 1996**

[54] **DIE CUTTER**

[76] Inventor: **Roy Thacker**, 5932 Hilltop Dr.,
Watauga, Tex. 76148

[**] Term: **14 Years**

[21] Appl. No.: **36,157**

[22] Filed: **Mar. 14, 1995**

[52] U.S. Cl. **D15/127**

[58] Field of Search D15/127, 128,
D15/129; 83/285, 284, 292, 117, 129, 139,
174, 311, 347, 417, 75.5, 76.8, 177, 940,
40, 50, 55, 405, 620; 409/292, 97, 104,
289; 439/373, 355

[56] **References Cited**

U.S. PATENT DOCUMENTS

D. 198,995 8/1964 Ashford D15/129
D. 274,335 6/1984 Jenkins D15/128

D. 276,529 11/1984 Campbell, Jr. D15/127
3,867,859 2/1975 Hirons 83/284
4,086,834 5/1978 Shields 83/284 X
4,643,062 2/1987 Highfield et al. 83/285
5,123,318 6/1992 Su et al. 83/284 X

Primary Examiner—Antoine Duval Davis
Attorney, Agent, or Firm—James E. Bradley

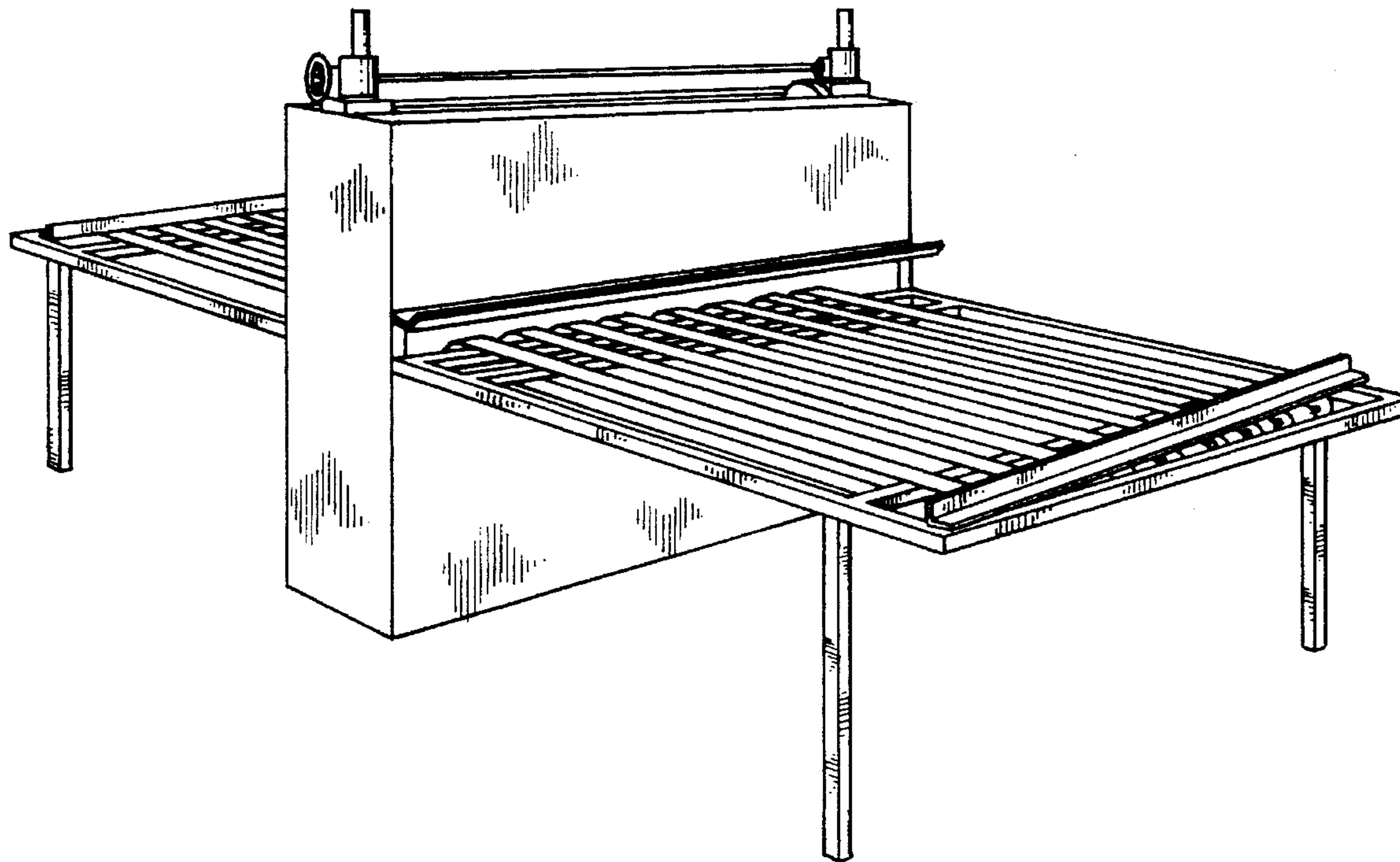
[57] **CLAIM**

The ornamental design for a die cutter, as shown.

DESCRIPTION

FIG. 1 is the front prospective view of a die cutter;
FIG. 2 is a left side view thereof;
FIG. 3 is a front view thereof;
FIG. 4 is a top plan view thereof;
FIG. 5 is a bottom plan view thereof; and,
FIG. 6 is a rear view thereof.

1 Claim, 3 Drawing Sheets



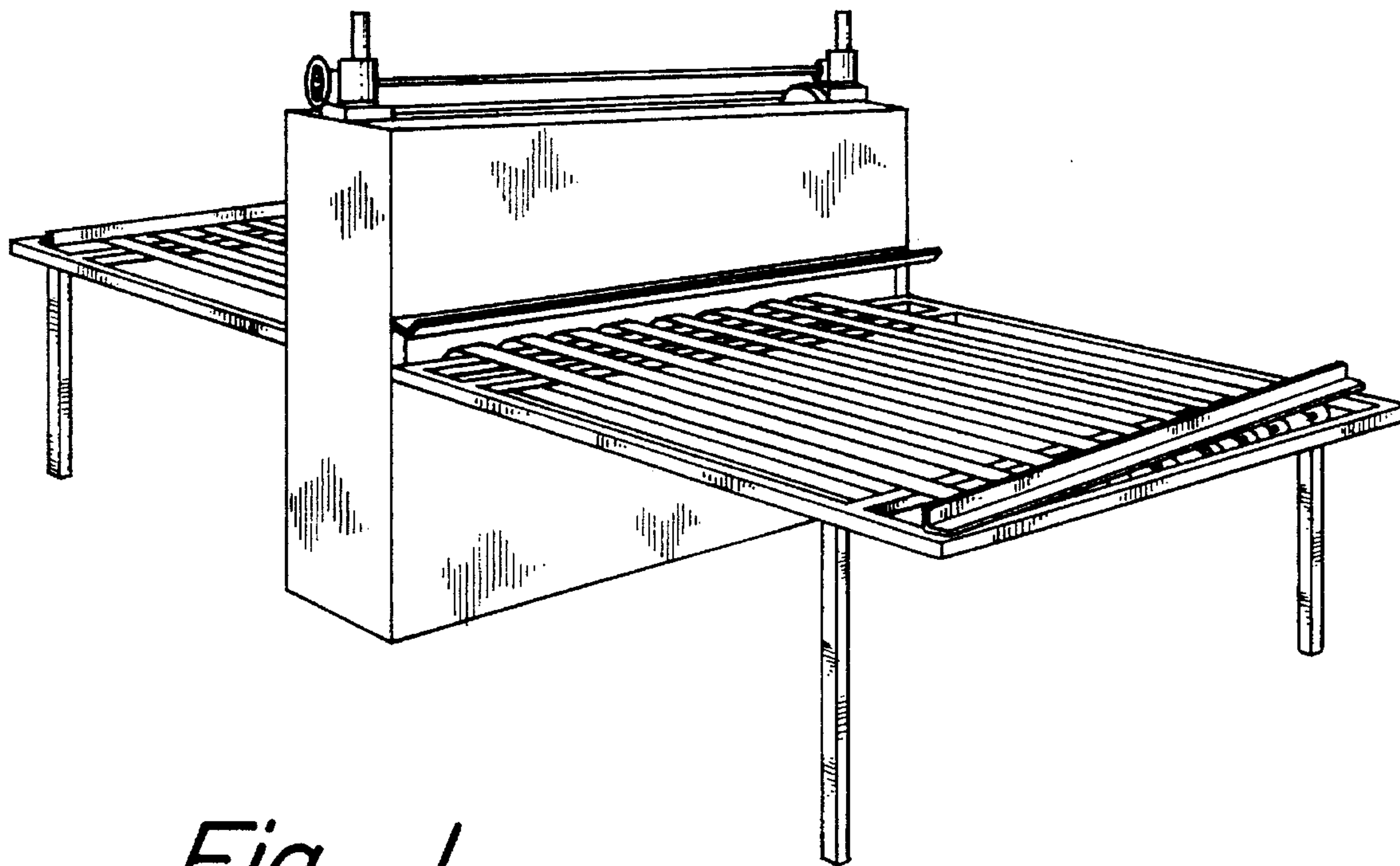


Fig. 1

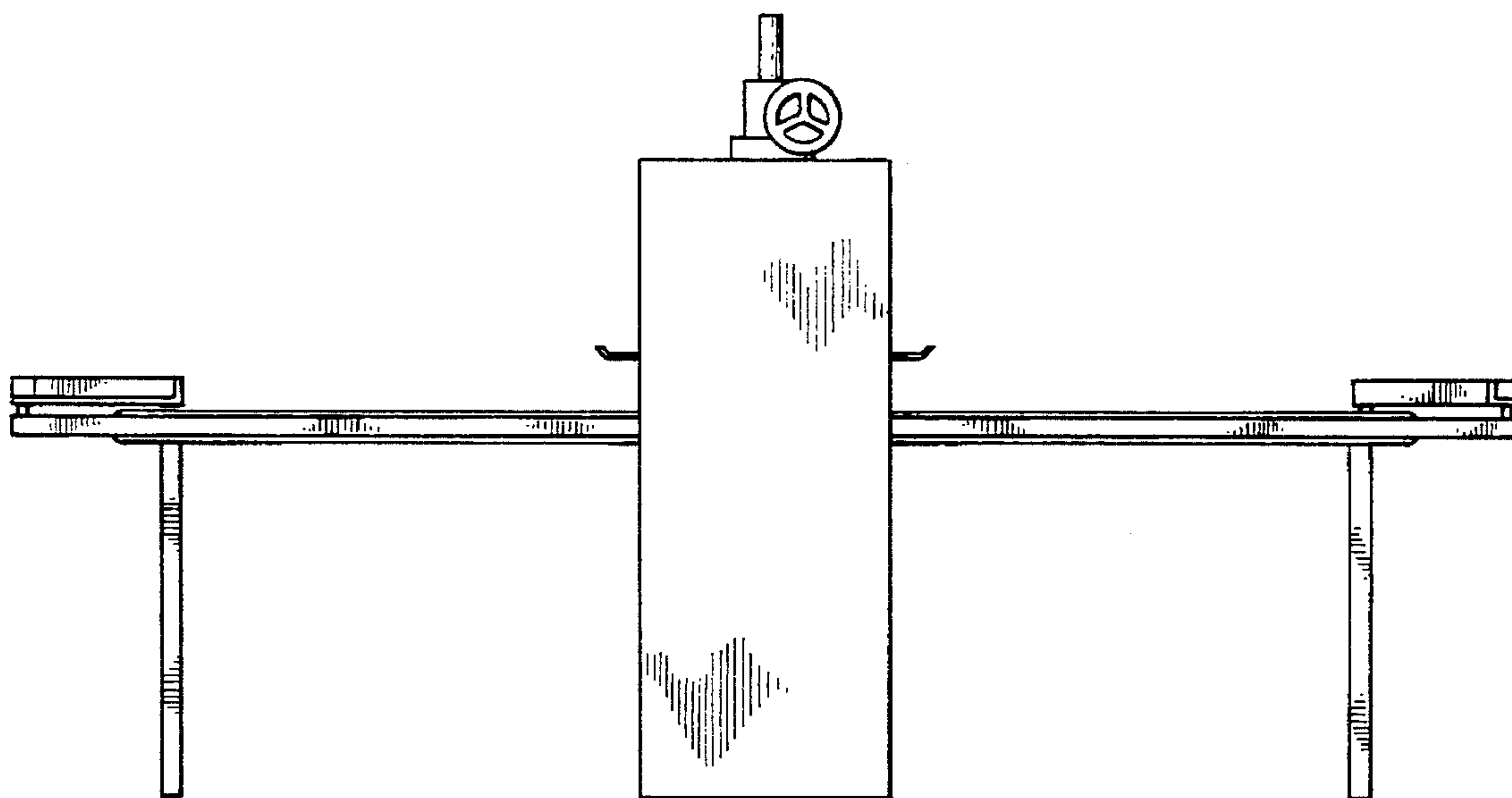


Fig. 2

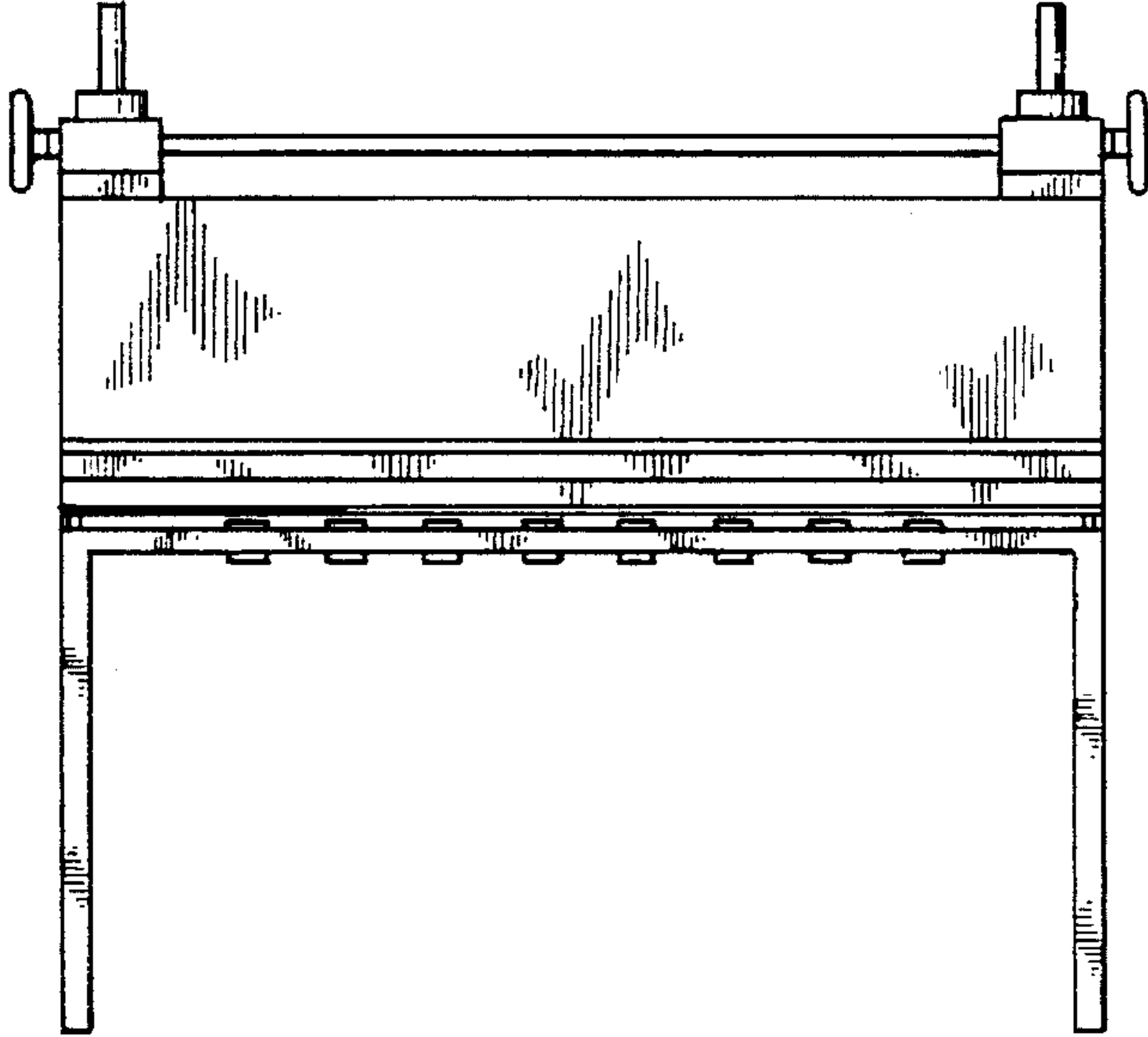


Fig. 3

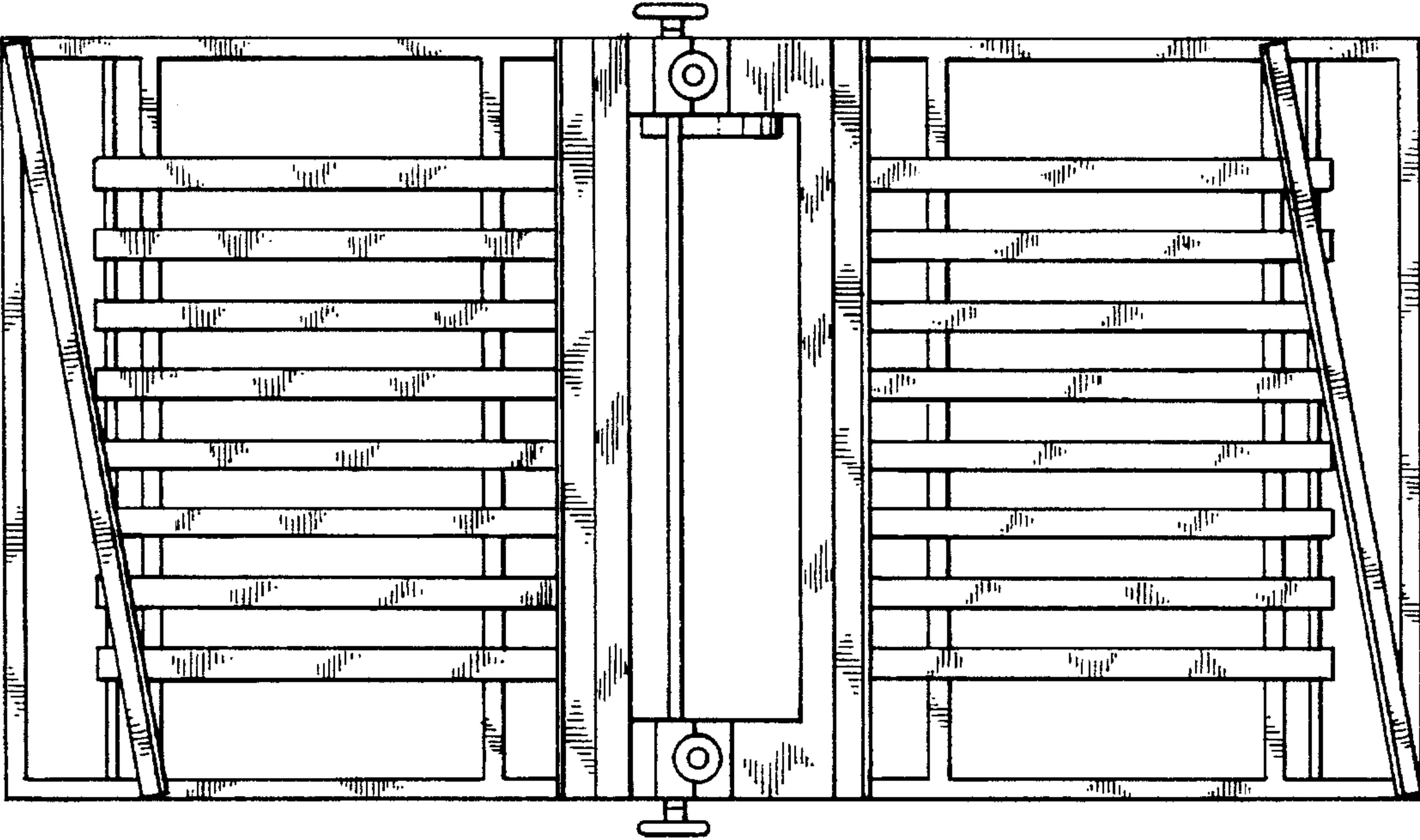


Fig. 4

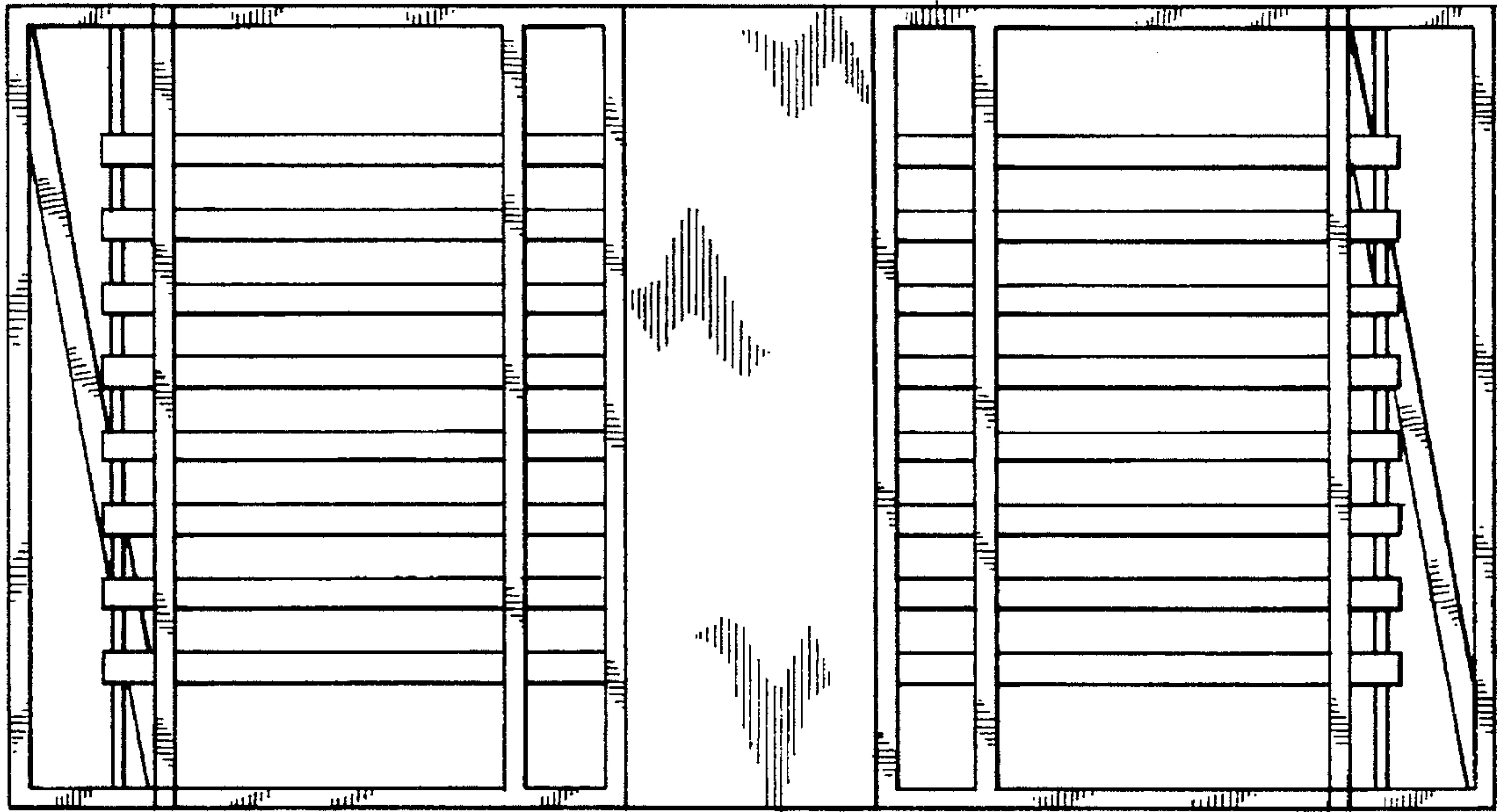


Fig. 5

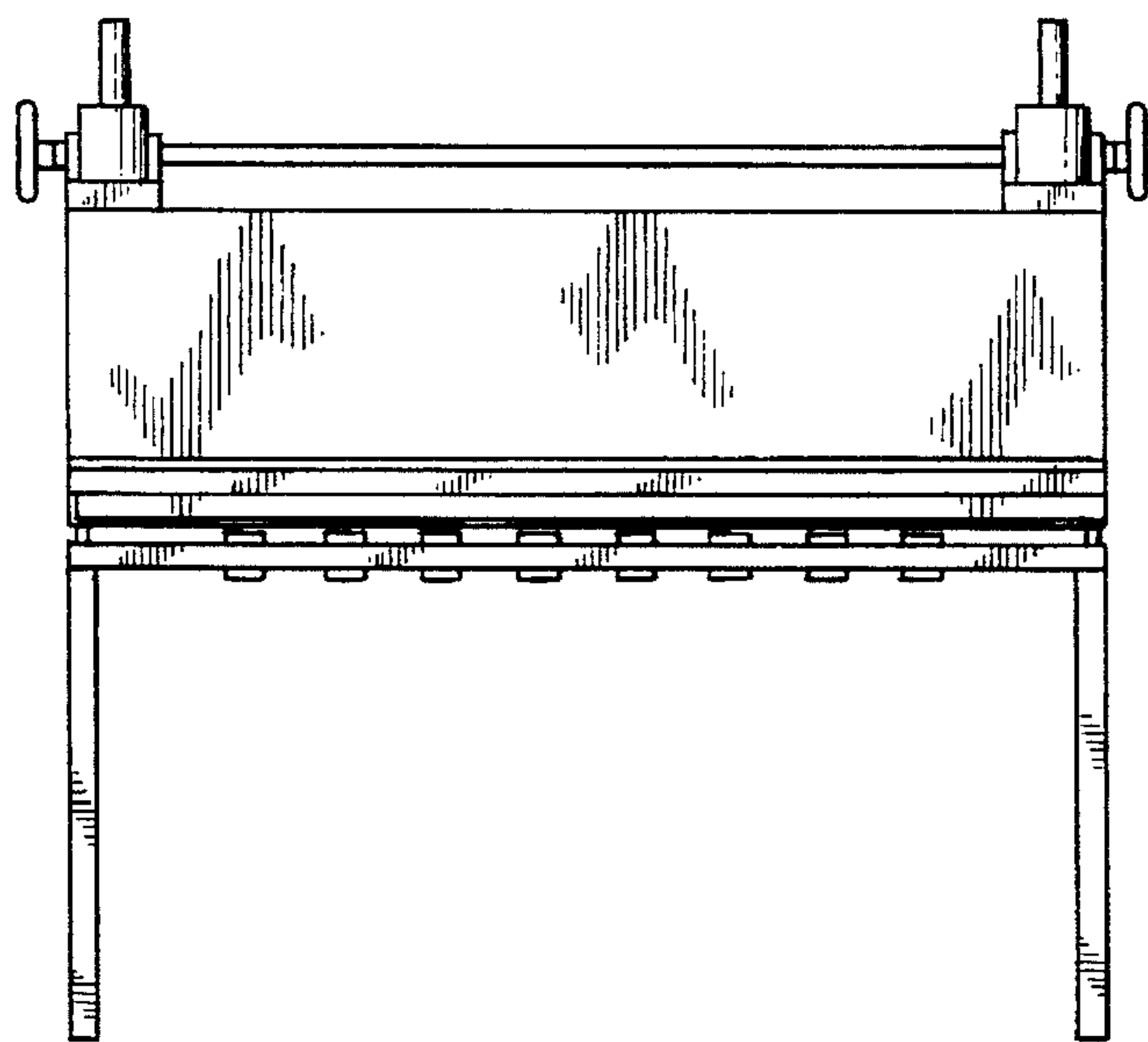


Fig. 6