



US00D371142S

# United States Patent [19]

Delaby et al.

[11] Patent Number: **Des. 371,142**

[45] Date of Patent: **\*\*Jun. 25, 1996**

[54] **DROP SPREADER**

5,288,017 2/1994 Halovitz ..... 239/687

[75] Inventors: **Aaron D. Delaby**, Carlsbad; **Paul M. Hovlovitz**, Escondido, both of Calif.

*Primary Examiner*—Ted Shooman  
*Assistant Examiner*—Richelle Shelton  
*Attorney, Agent, or Firm*—Harry Williams

[73] Assignee: **Republic Tool & Mfg. Corp.**, Carlsbad, Calif.

[57] **CLAIM**

[\*\*] Term: **14 Years**

The ornamental design for a drop spreader, as shown and described.

[21] Appl. No.: **39,942**

**DESCRIPTION**

[22] Filed: **Jun. 7, 1995**

[52] U.S. Cl. .... **D15/13**

[58] Field of Search ..... D15/13; 202/162, 202/174, 614, 624; 239/681-689

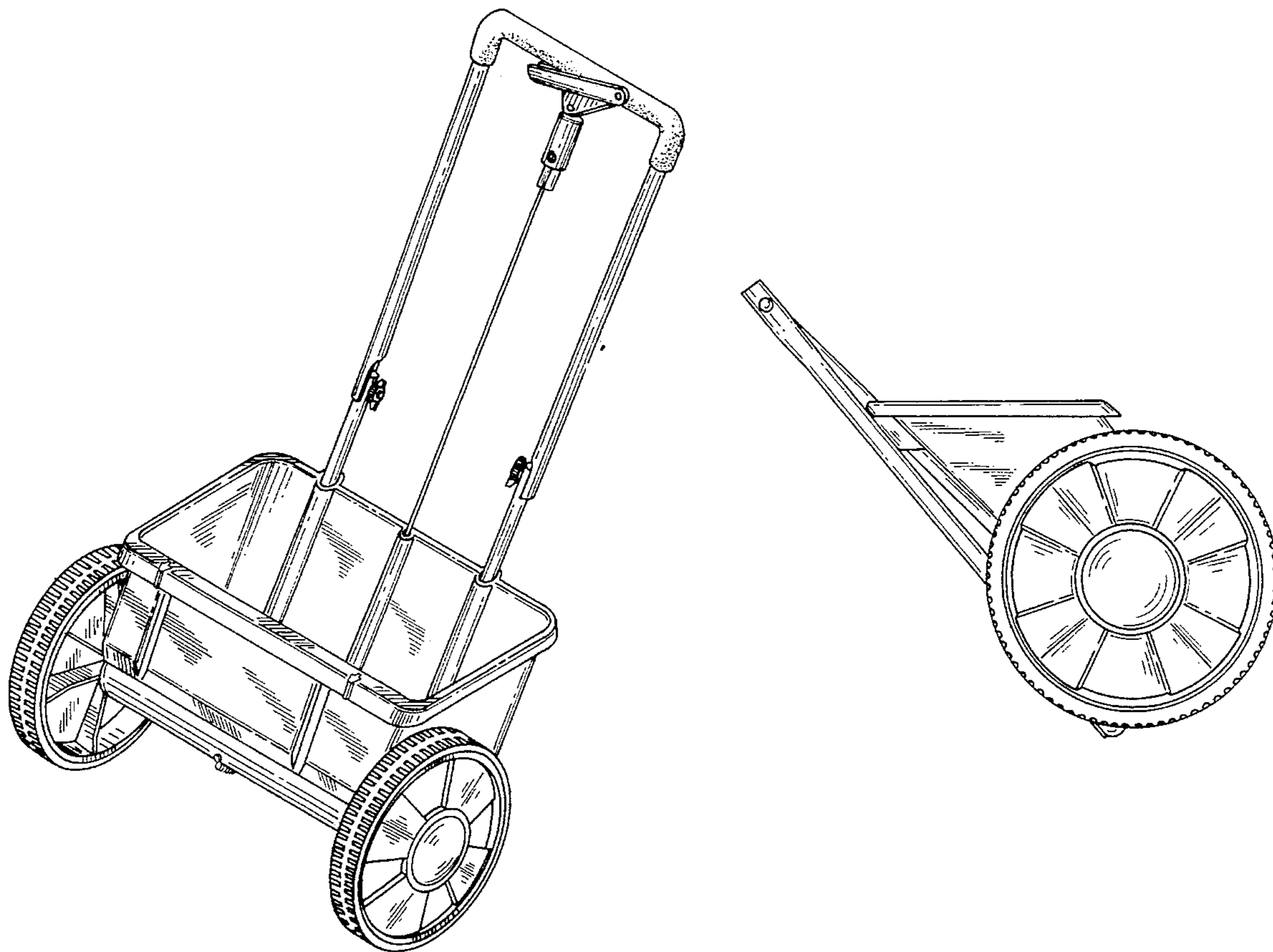
FIG. 1 is a top, front and right side perspective view of a drop spreader showing my new design;  
FIG. 2 is a top, rear and left side perspective view thereof;  
FIG. 3 is a right side elevational view;  
FIG. 4 is a front elevational view thereof;  
FIG. 5 is a top plan view thereof;  
FIG. 6 is left side elevational view thereof;  
FIG. 7 is a bottom plan view thereof; and,  
FIG. 8 is a left side elevational view thereof, in the collapsed position.

[56] **References Cited**

**U.S. PATENT DOCUMENTS**

D. 240,152	6/1976	Raffler et al. ....	D15/13
D. 338,893	8/1993	Simpson .....	D15/13
D. 338,894	8/1993	Simpson .....	D15/13
D. 359,963	7/1995	Pink et al. ....	D15/13
4,580,730	4/1986	Amerine .....	239/687

**1 Claim, 6 Drawing Sheets**



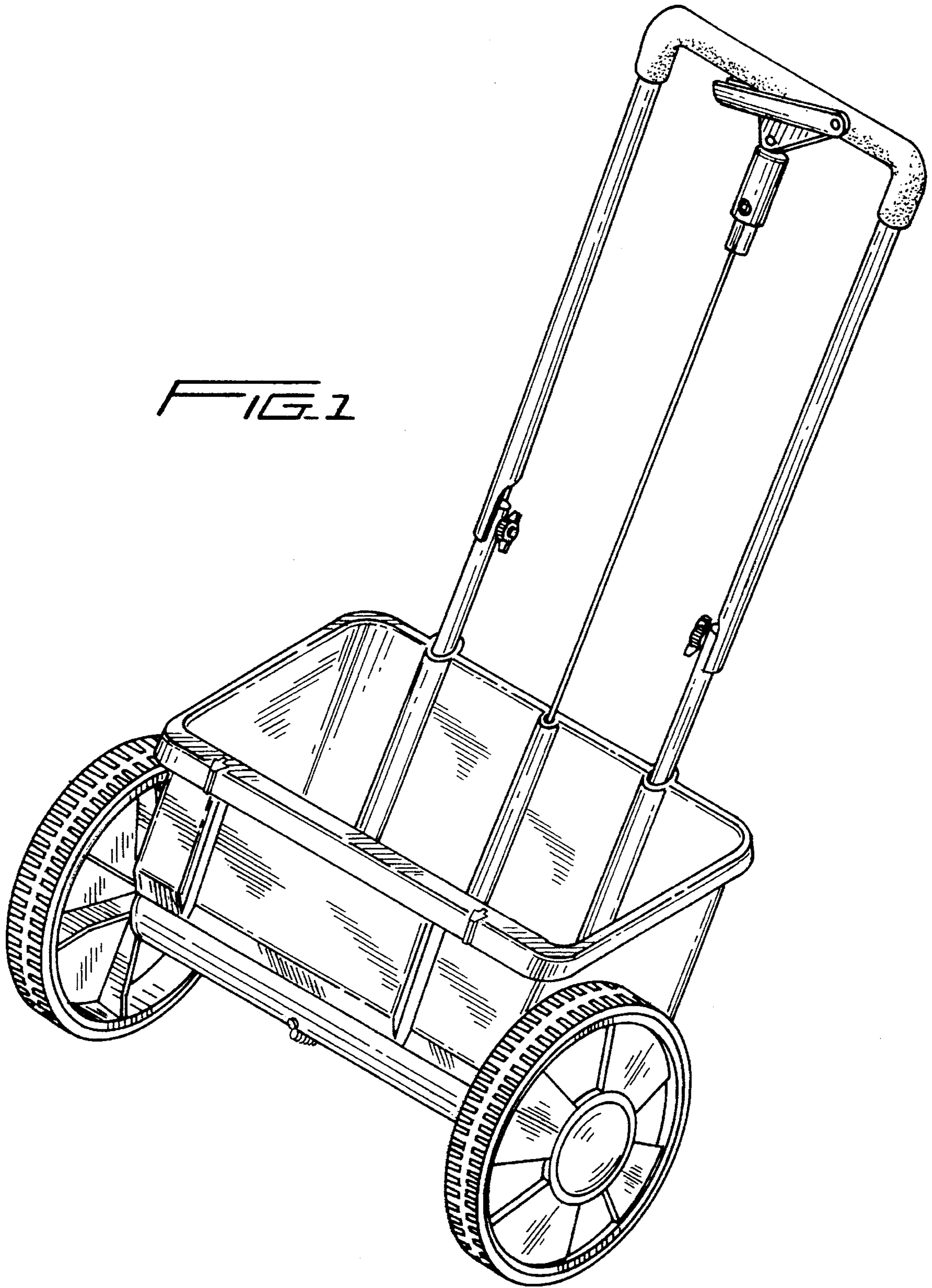


FIG. 1

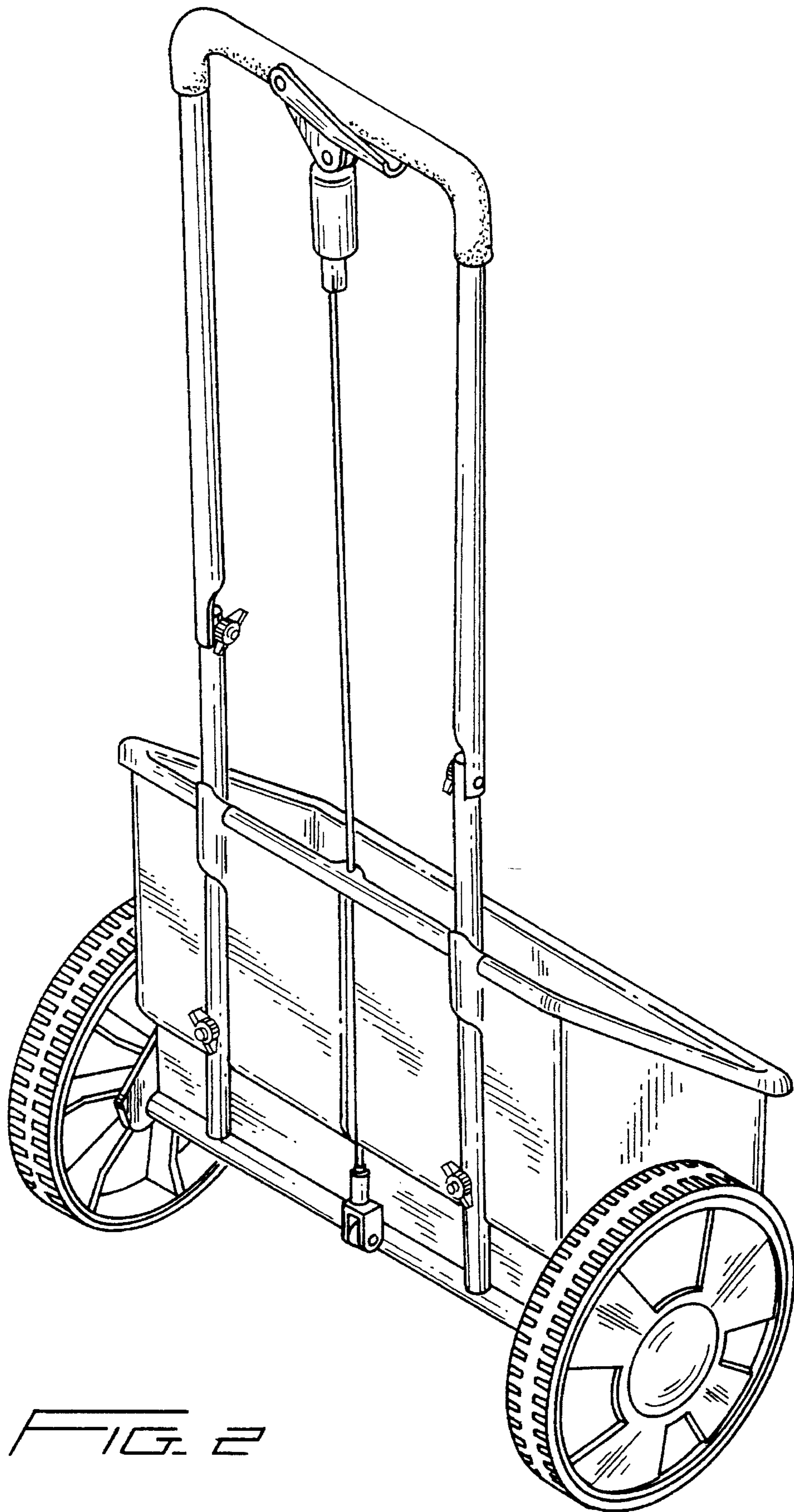


FIG. 2

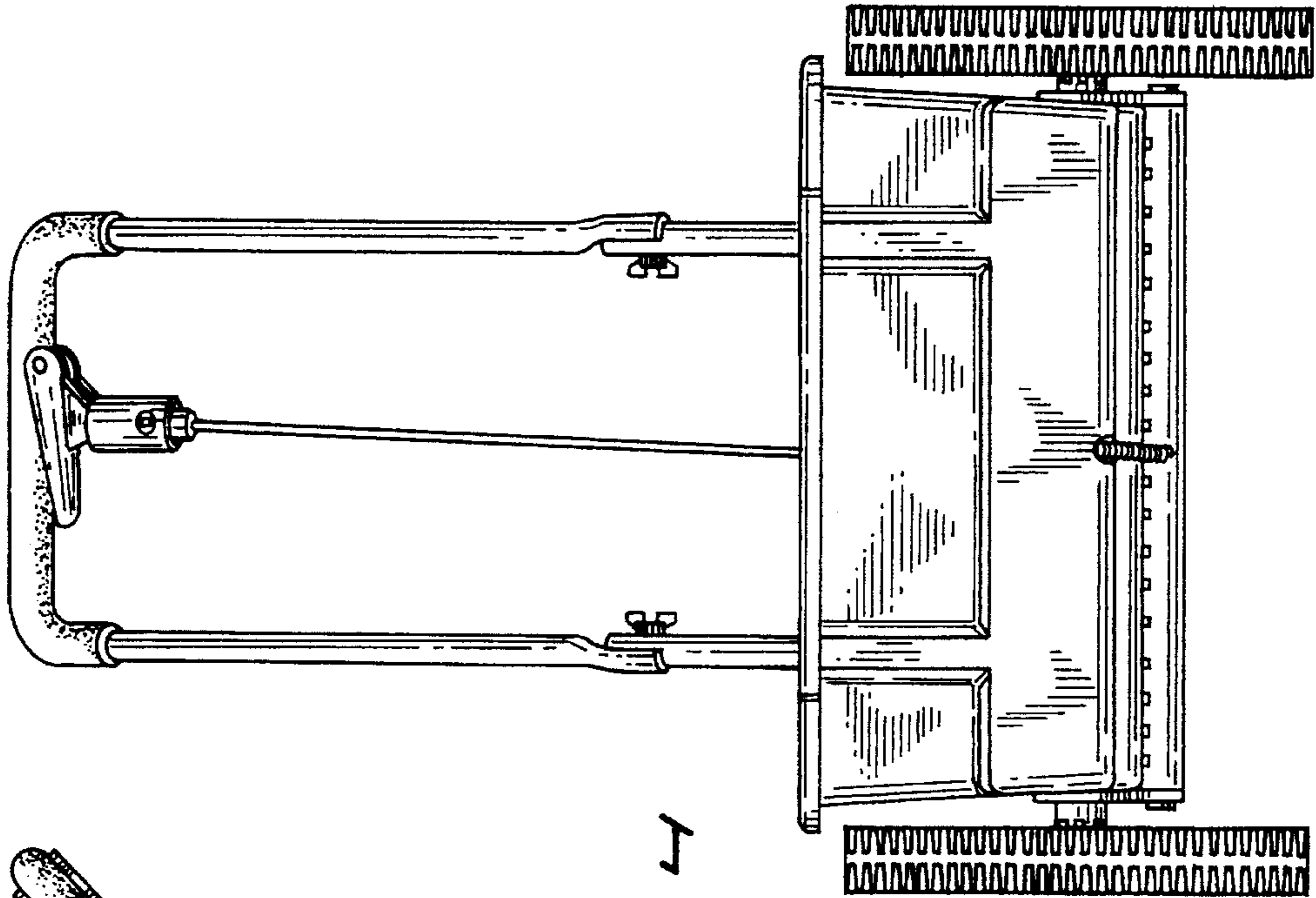


FIG. 4

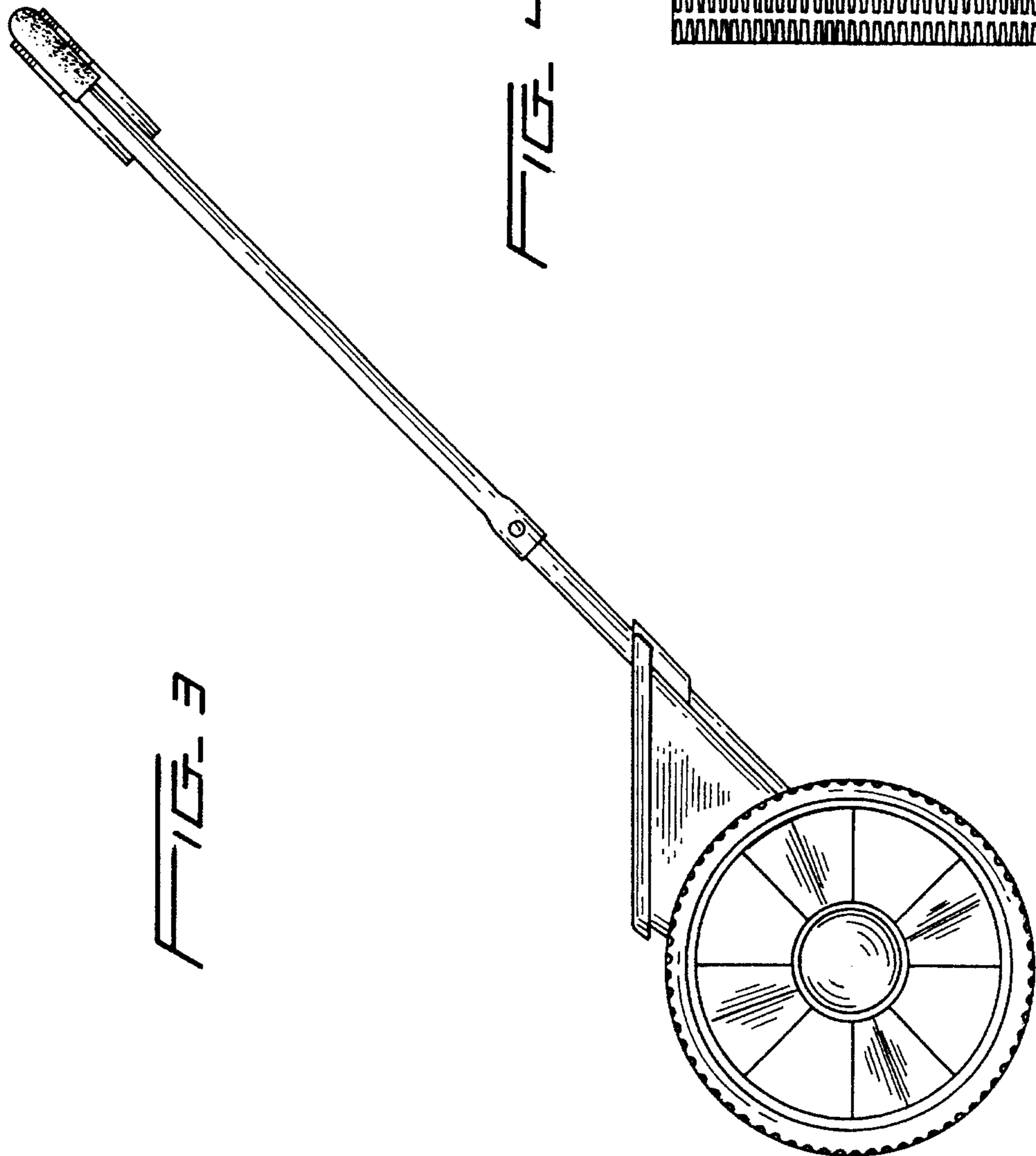


FIG. 3

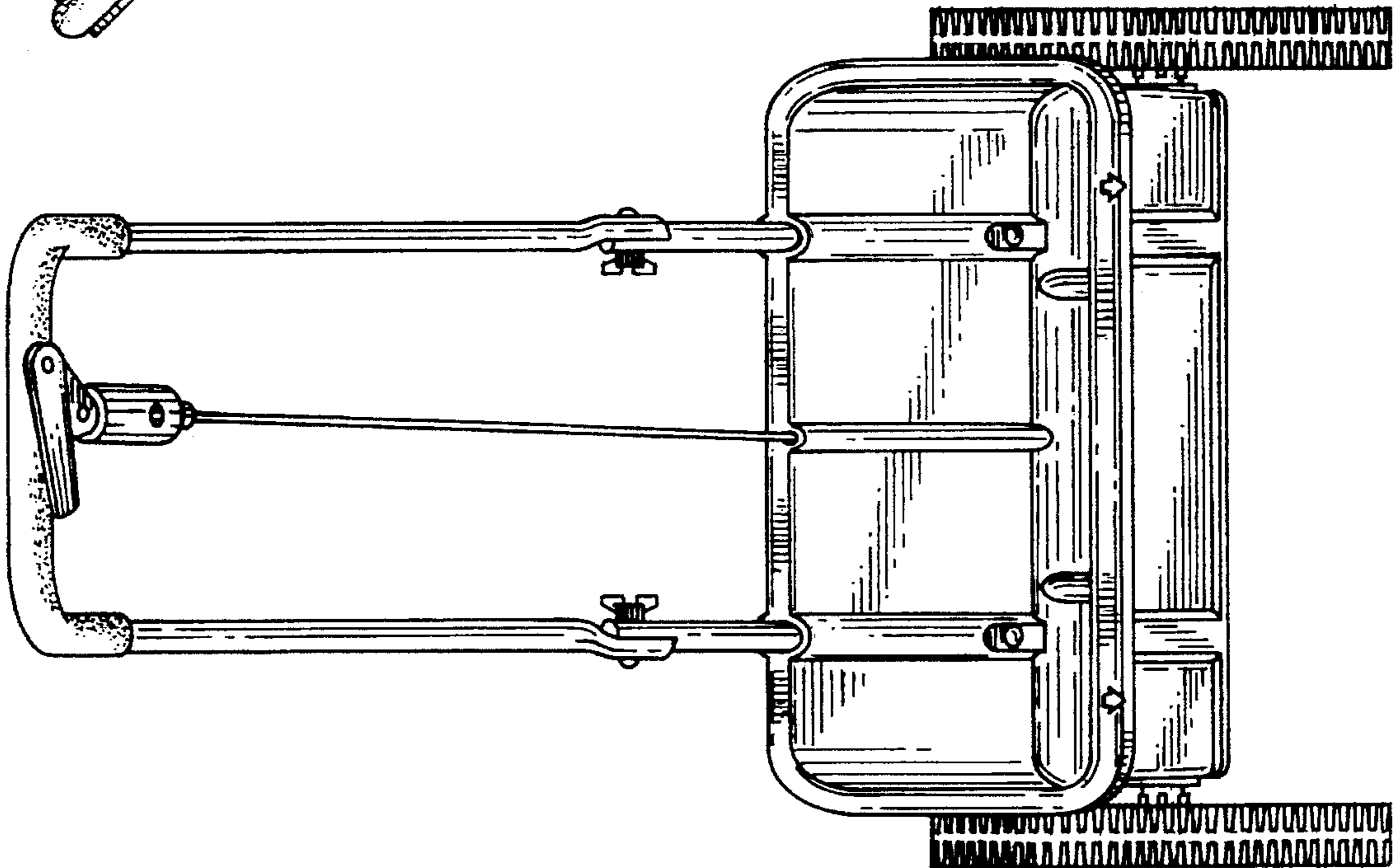
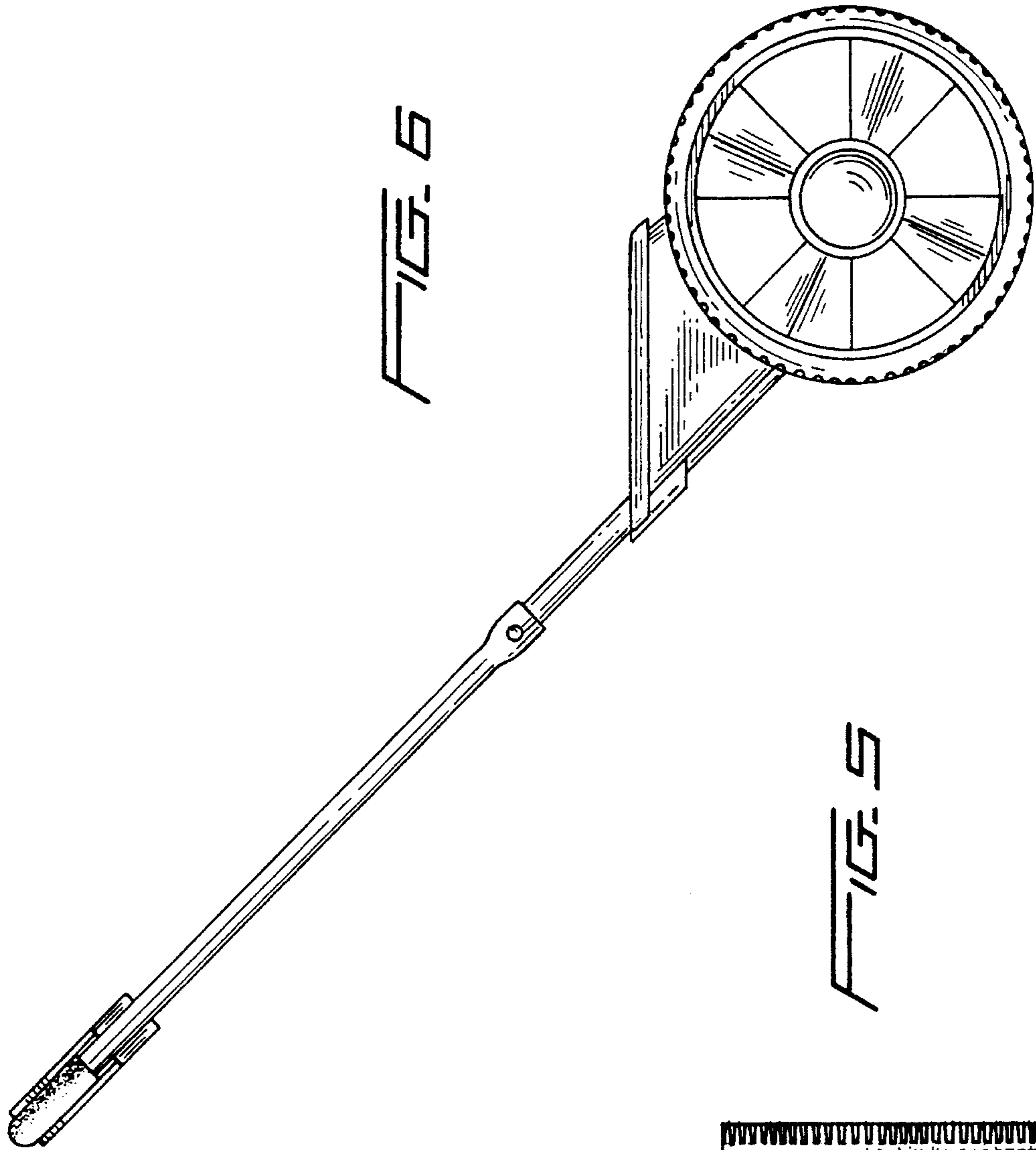


FIG. 7

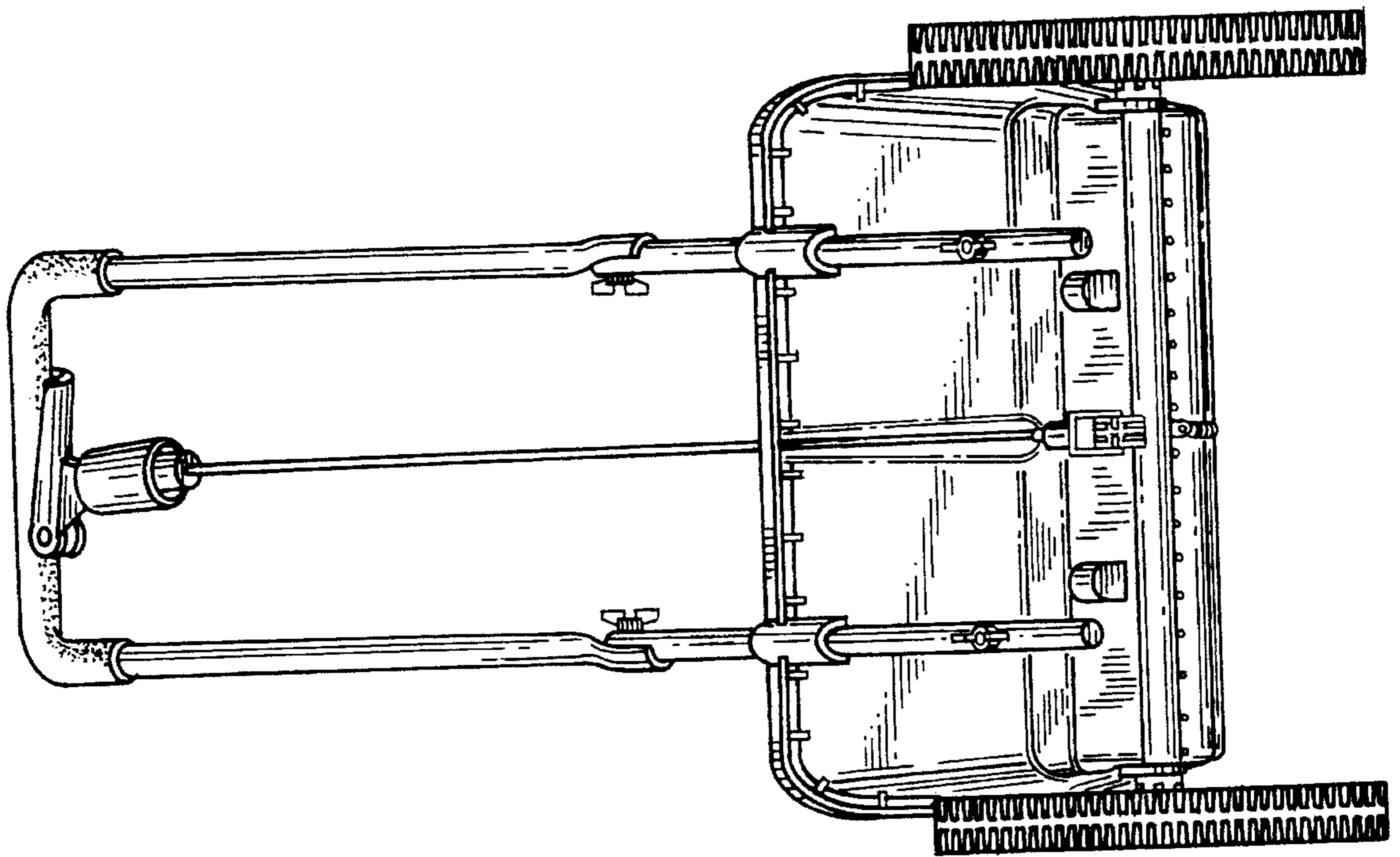


FIG. 8

