



US00D371140S

United States Patent [19]

[11] Patent Number: **Des. 371,140**

Anderson

[45] Date of Patent: ****Jun. 25, 1996**

[54] **POND FILTER**

D. 361,573	8/1995	Makino	D15/7
2,364,686	12/1944	Balisteri et al.	D15/8
4,702,830	10/1987	Makino et al.	210/220

[76] Inventor: **James L. Anderson**, 1105 Holly La., Burnsville, Minn. 55337

[**] Term: **14 Years**

Primary Examiner—Ralf Seifert
Attorney, Agent, or Firm—Nawrocki, Rooney & Sivertson

[21] Appl. No.: **39,166**

[57] **CLAIM**

[22] Filed: **May 22, 1995**

The ornamental design for a pond filter, as shown and described.

[52] U.S. Cl. **D15/7; D15/8**

[58] Field of Search D15/7; D23/231, D23/213, 207; 417/234, 258, 321, 410 B; 210/220, 242.2, 282; 261/120

DESCRIPTION

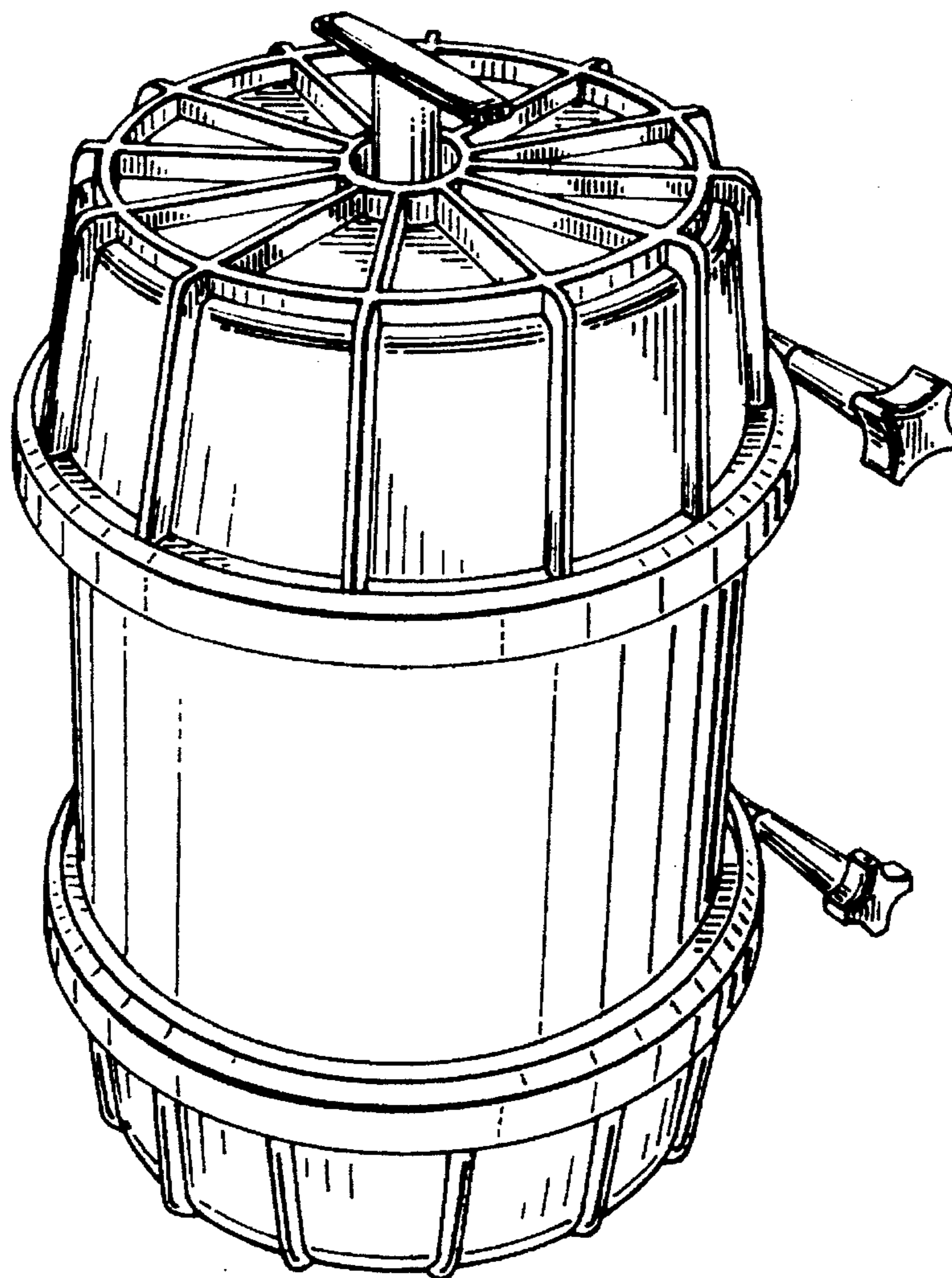
[56] **References Cited**

FIG. 1 is a perspective view of a pond filter showing my new design;
FIG. 2 is a top view thereof;
FIG. 3 is a bottom view thereof;
FIG. 4 is a front view thereof;
FIG. 5 is a right side view thereof;
FIG. 6 is a left side view thereof; and,
FIG. 7 is a back view thereof.

U.S. PATENT DOCUMENTS

D. 310,838	9/1990	Turbanisch	D15/8
D. 329,650	9/1992	Whitley, II	D15/7
D. 339,143	9/1992	Whitley, II	D15/7
D. 340,505	10/1993	Anderson	D23/209
D. 356,576	3/1995	Yazawa	D15/8
D. 360,211	7/1995	Makino	D15/8

1 Claim, 2 Drawing Sheets



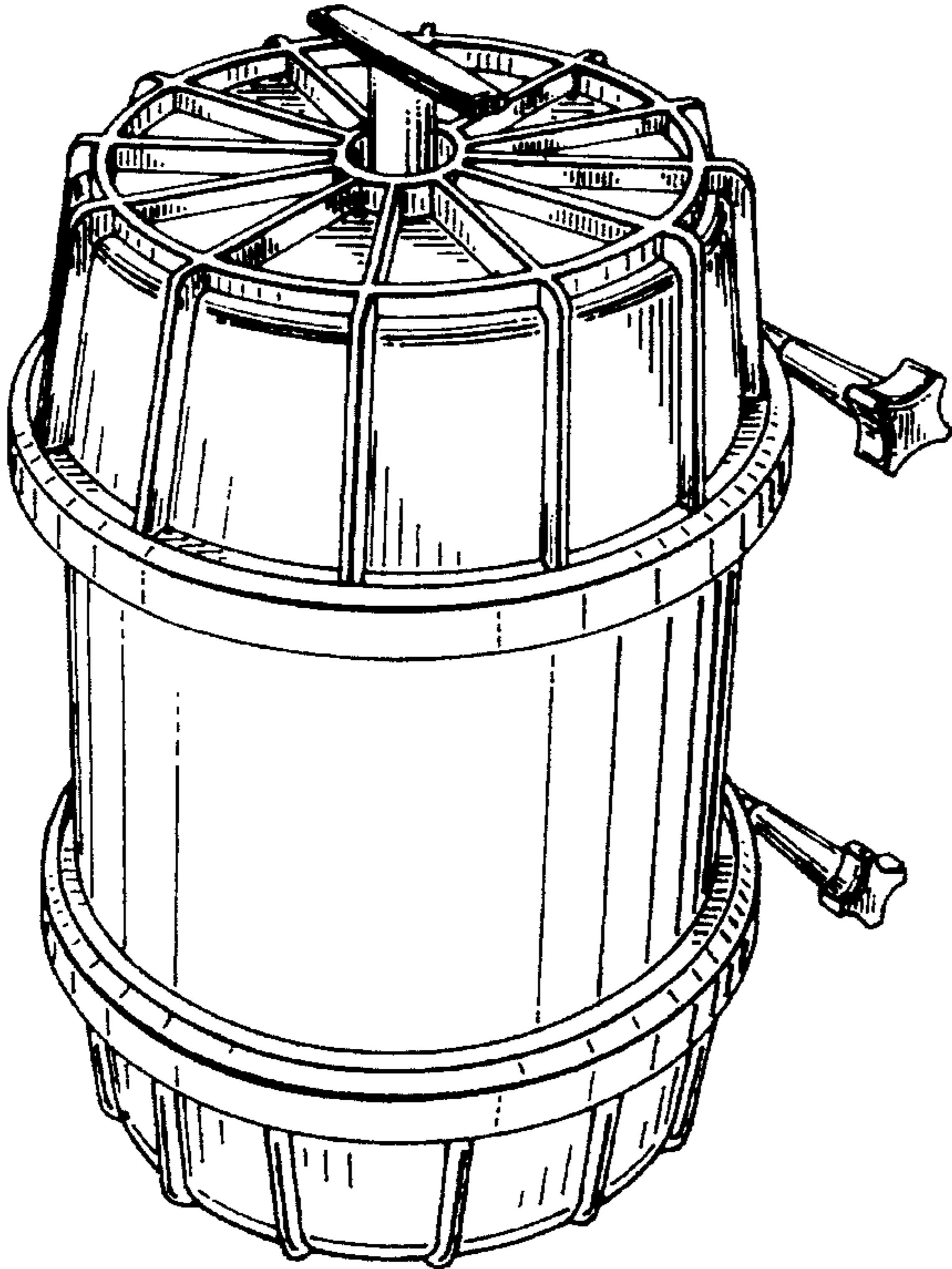


Fig 1

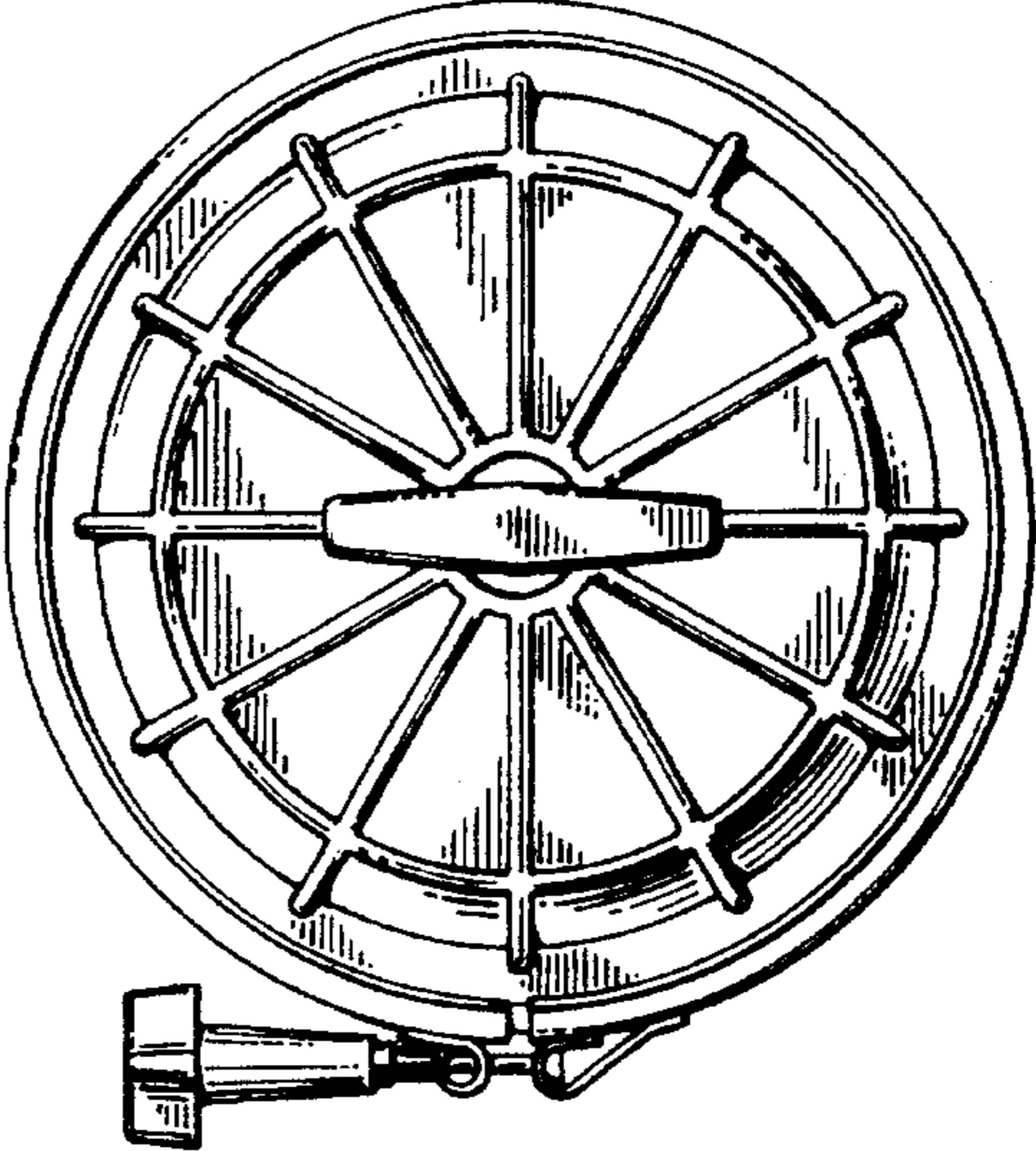


Fig 2

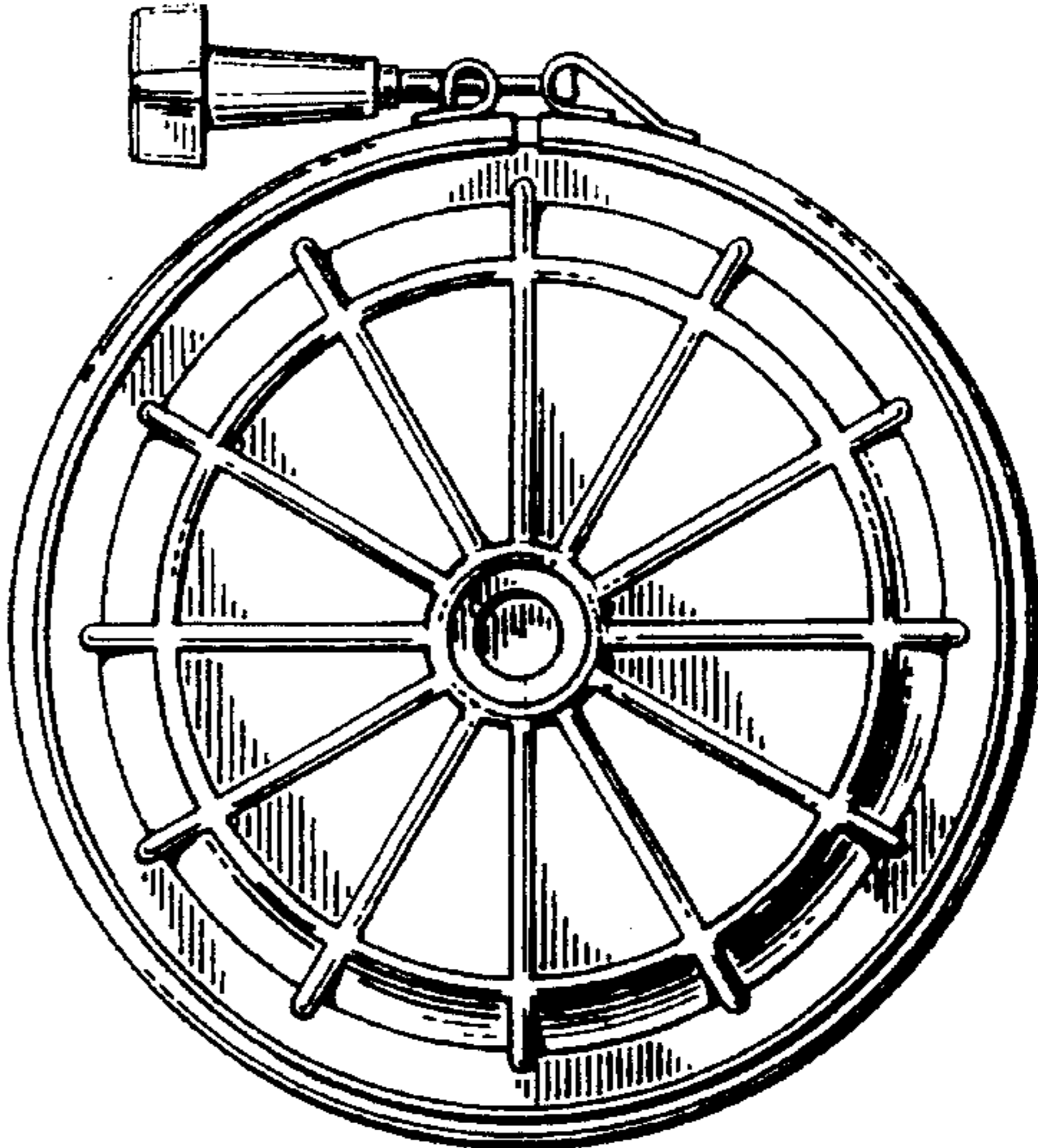


Fig 3

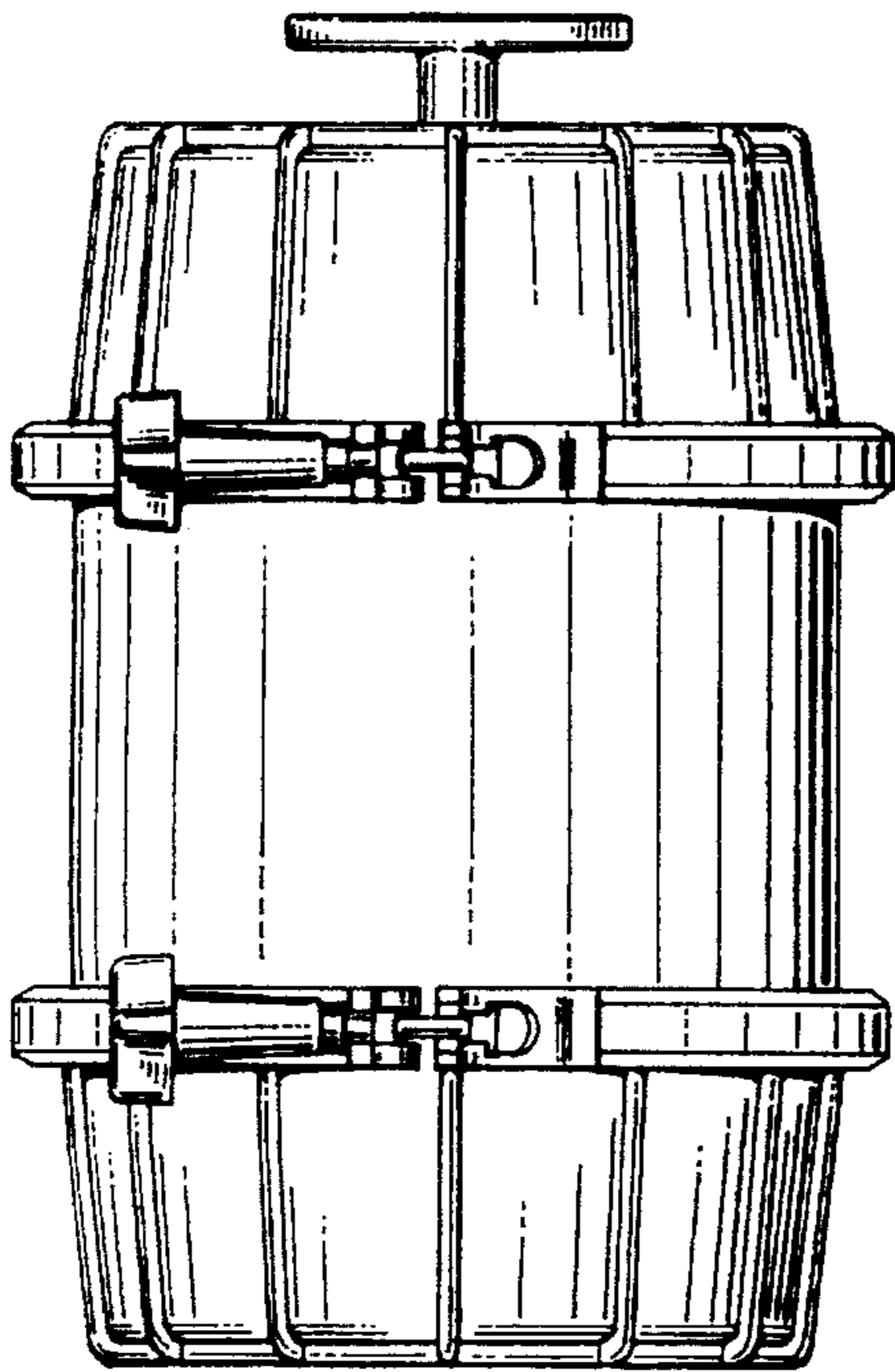


Fig 4

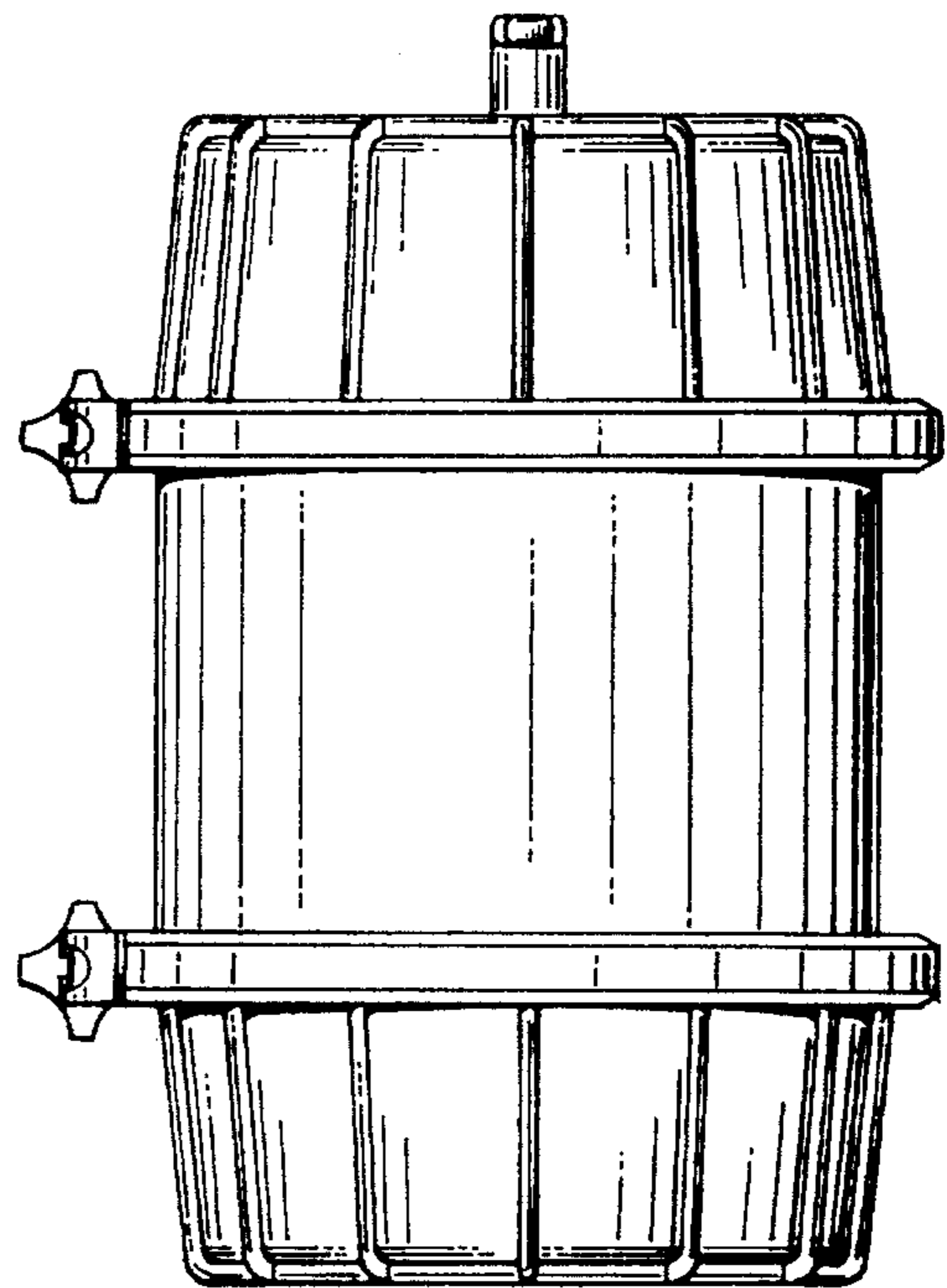


Fig 5

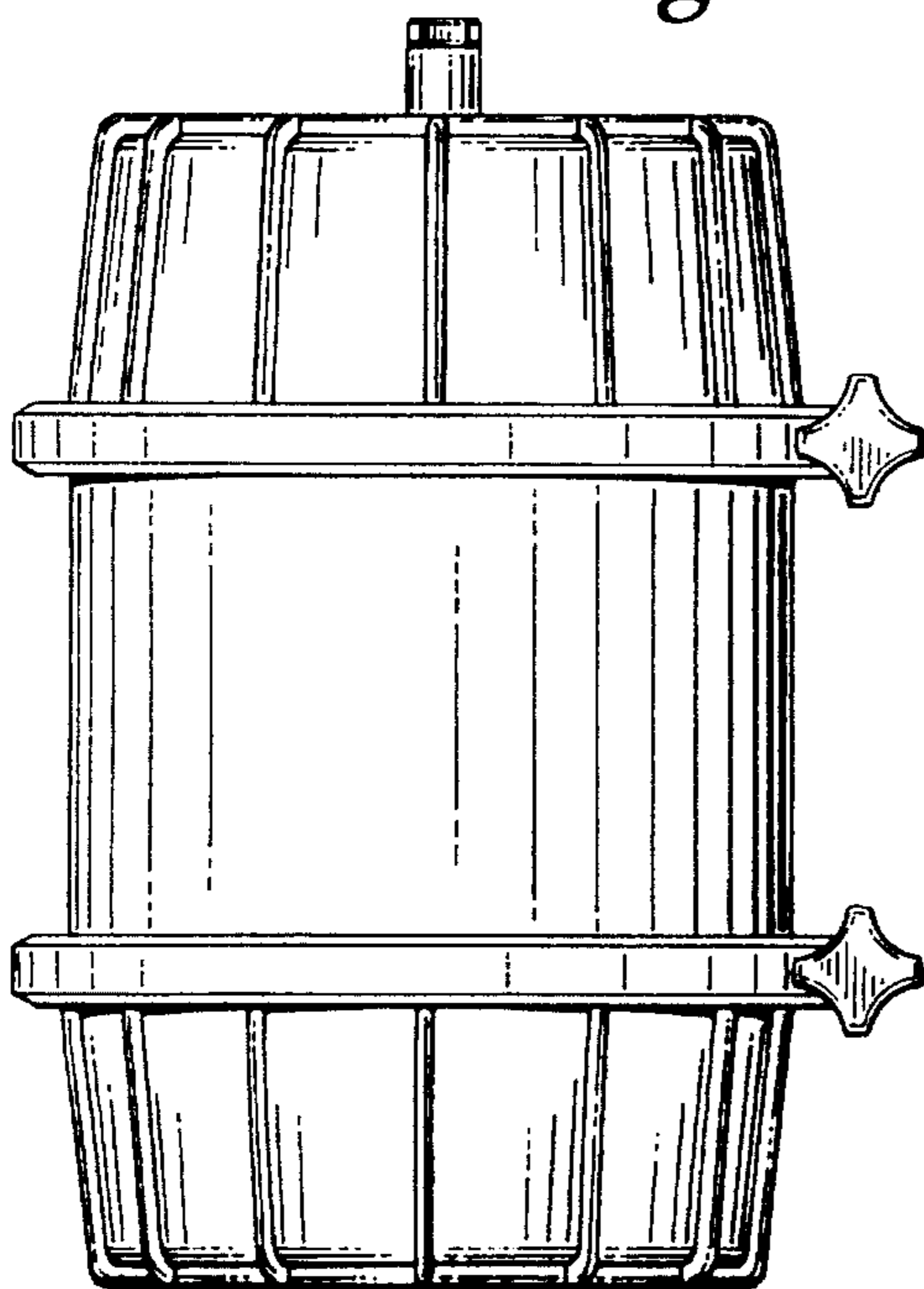


Fig 6

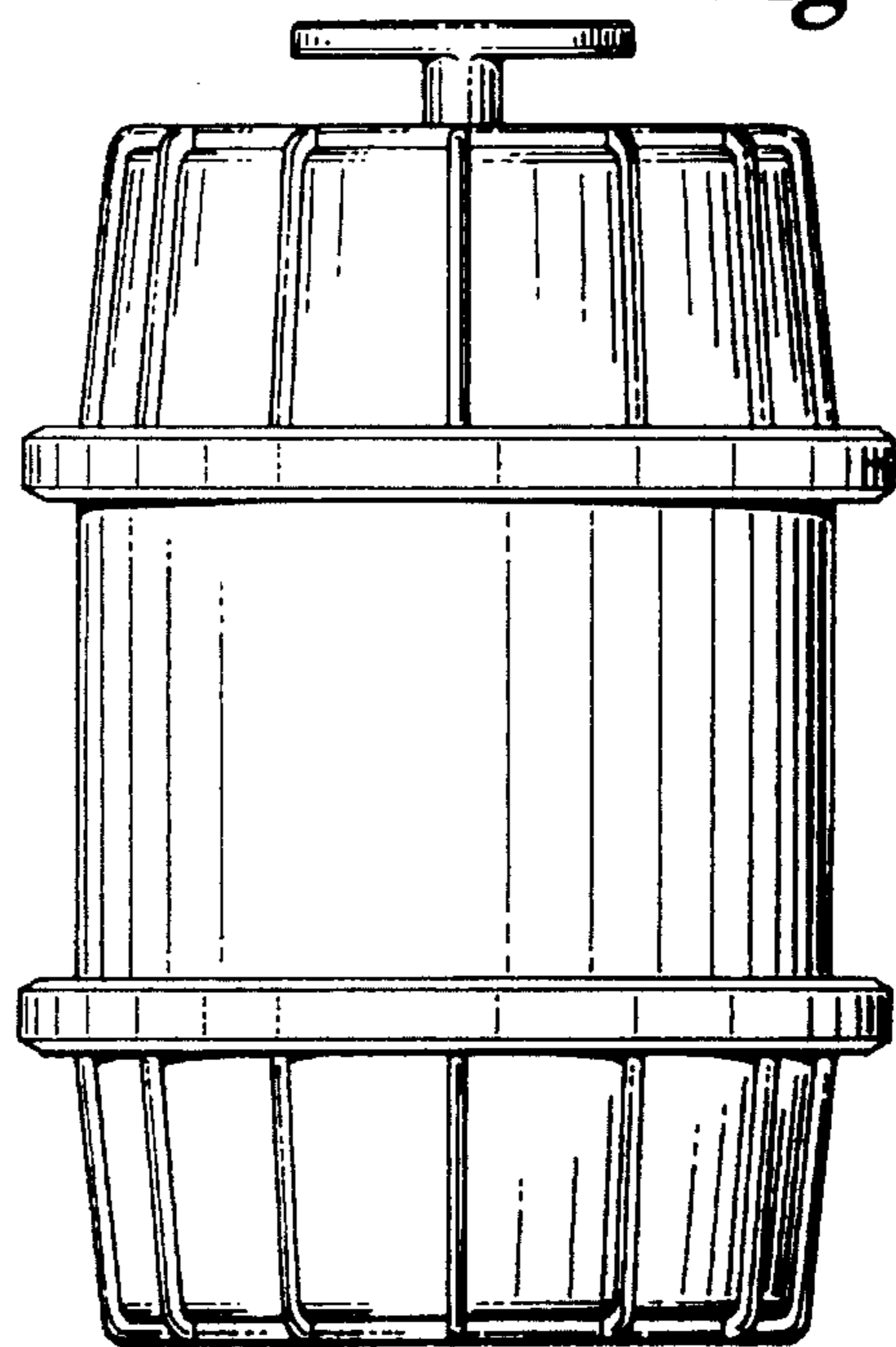


Fig 7