



US00D371139S

**United States Patent** [19]  
**Waskiewicz**

[11] **Patent Number: Des. 371,139**

[45] **Date of Patent: \*\*Jun. 25, 1996**

[54] **FLANGE BEARING HOUSING**

*Attorney, Agent, or Firm—John C. Bigler*

[75] Inventor: **Walter P. Waskiewicz**, Bristol, Conn.

[57] **CLAIM**

[73] Assignee: **The Torrington Company**, Torrington, Conn.

The ornamental design for a flange bearing housing, as shown and described.

[\*\*] Term: **14 Years**

**DESCRIPTION**

[21] Appl. No.: **40,930**

FIG. 1 is a pictorial view of the top and front of one embodiment of a flange bearing housing showing my design;

[22] Filed: **Jun. 28, 1995**

[52] U.S. Cl. .... **D15/5; 384/428**

FIG. 2 is a front view of my flange bearing housing design; FIG. 3 is a top view of the embodiment of FIG. 1 showing my flange bearing housing design;

[58] Field of Search ..... **D15/5, 143; 384/537, 384/428, 412**

FIG. 4 is a rear view of my flange bearing housing design; FIG. 5 is a bottom view of the embodiment of FIG. 1 showing my flange bearing housing design;

[56] **References Cited**

**U.S. PATENT DOCUMENTS**

203,875	5/1878	Baird .....	384/428
D. 363,500	10/1995	Ichihara .....	D15/143
3,307,886	3/1967	Flodell .....	384/428
3,873,167	3/1975	Anderson .	
3,936,099	2/1976	Braun et al. .	
4,758,101	7/1988	Roof, Sr. et al. .	
5,423,614	6/1995	Wunner et al. ....	384/428

FIG. 6 is a left side view of my flange bearing housing design;

FIG. 7 is a right side view of my flange bearing housing design;

**FOREIGN PATENT DOCUMENTS**

0006217	1/1988	Japan .....	384/428
2271827	4/1994	United Kingdom .....	384/428

FIG. 8 is a pictorial view of the top and front of another embodiment of a flange bearing housing showing my design;

FIG. 9 is a top view of the embodiment of FIG. 8 showing my flange bearing housing design; and,

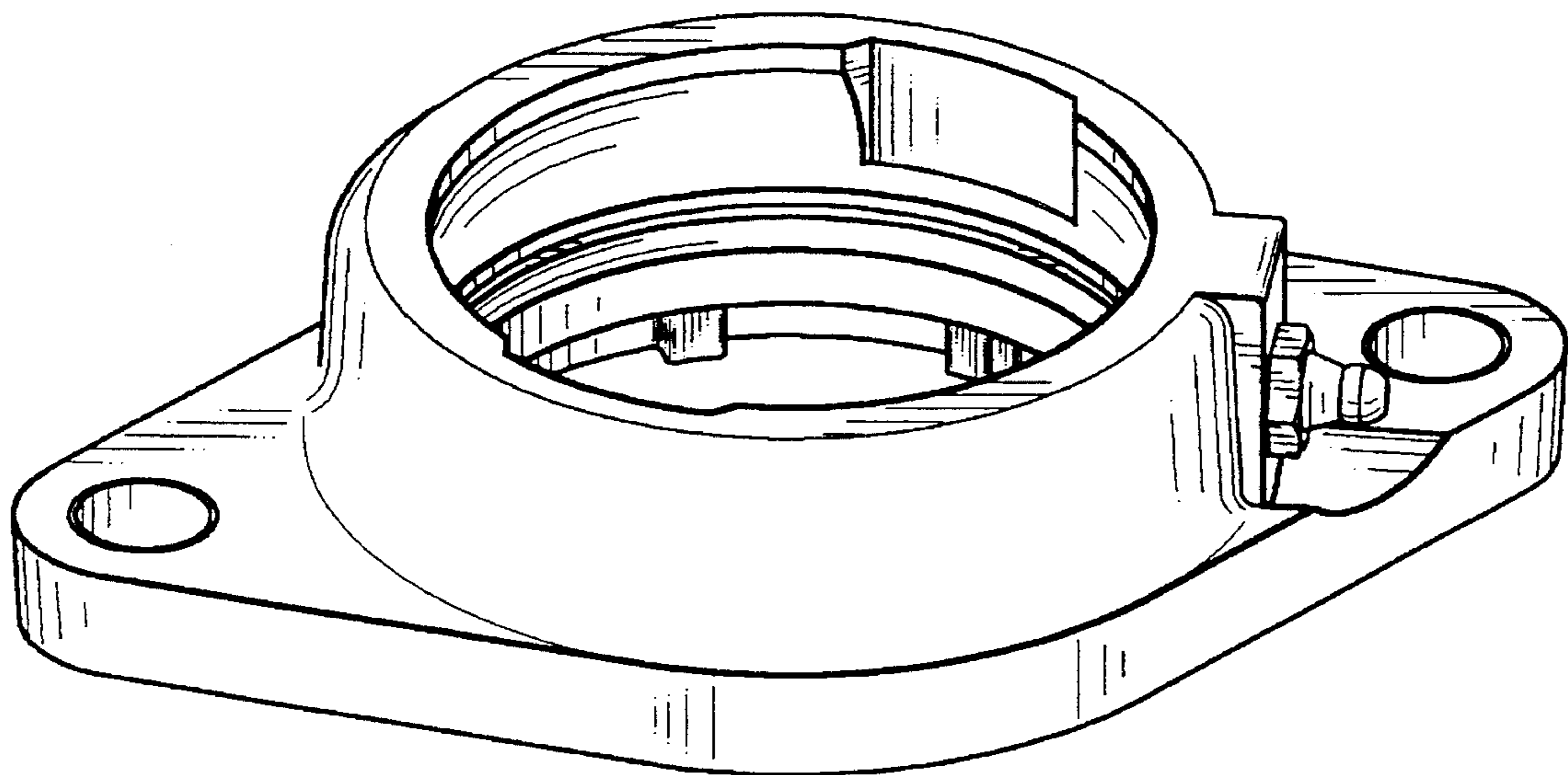
**OTHER PUBLICATIONS**

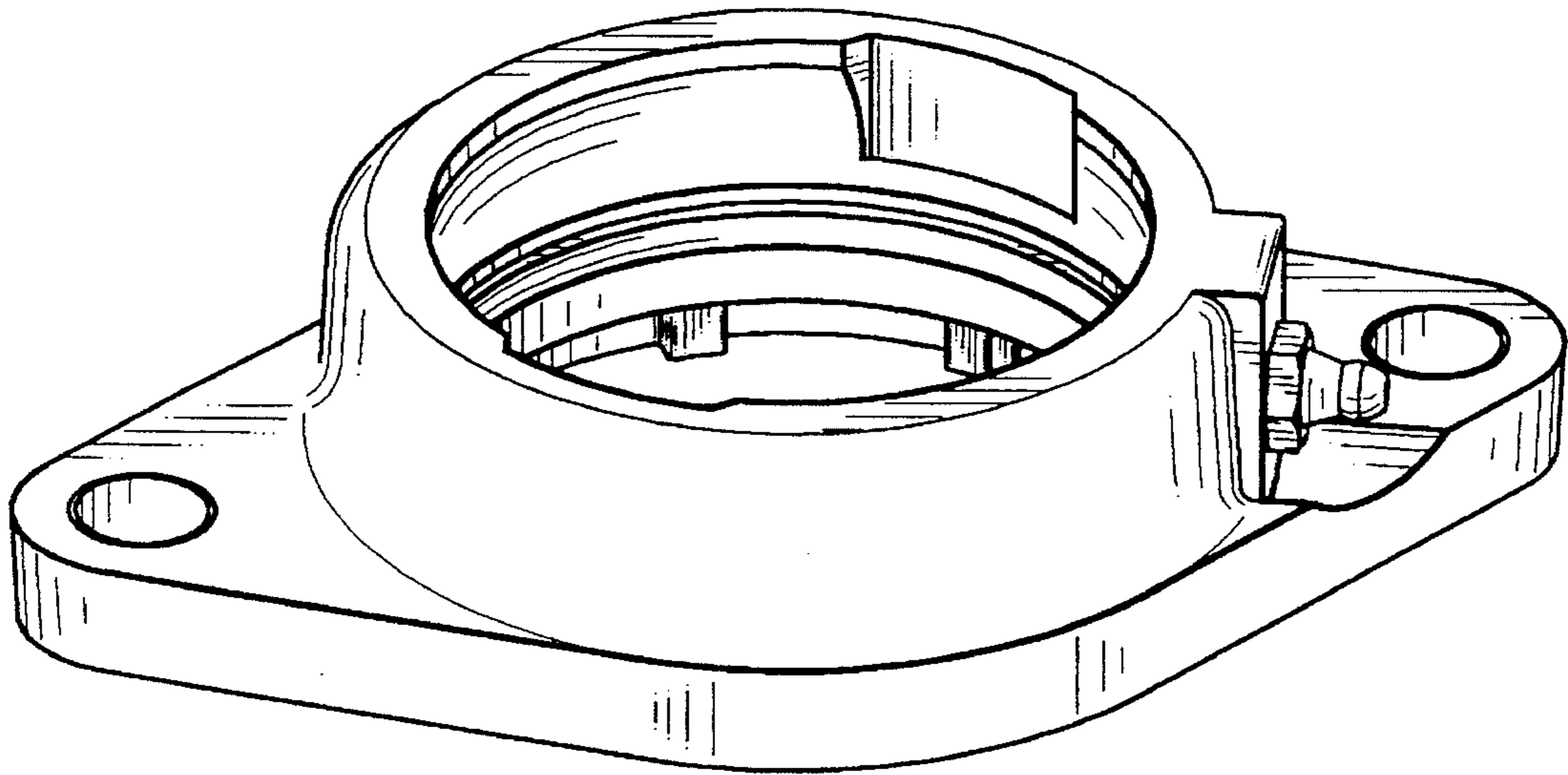
Fafnir Bearing Catalog, p. 117 at top left. ©1966.

FIG. 10 is a bottom view of the embodiment of FIG. 1 showing my flange bearing housing design.

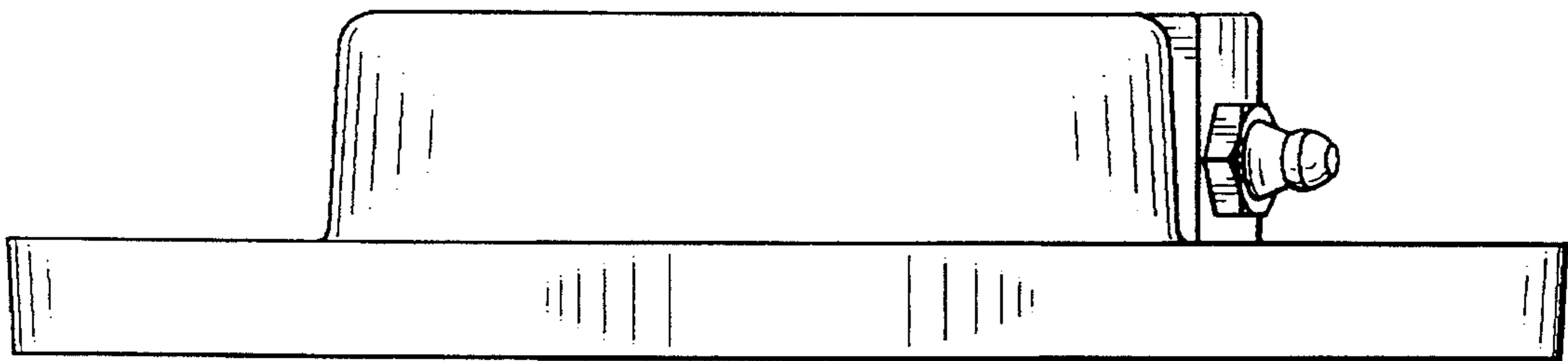
*Primary Examiner—Louis S. Zarfaz*  
*Assistant Examiner—Frank Martinez*

**1 Claim, 5 Drawing Sheets**

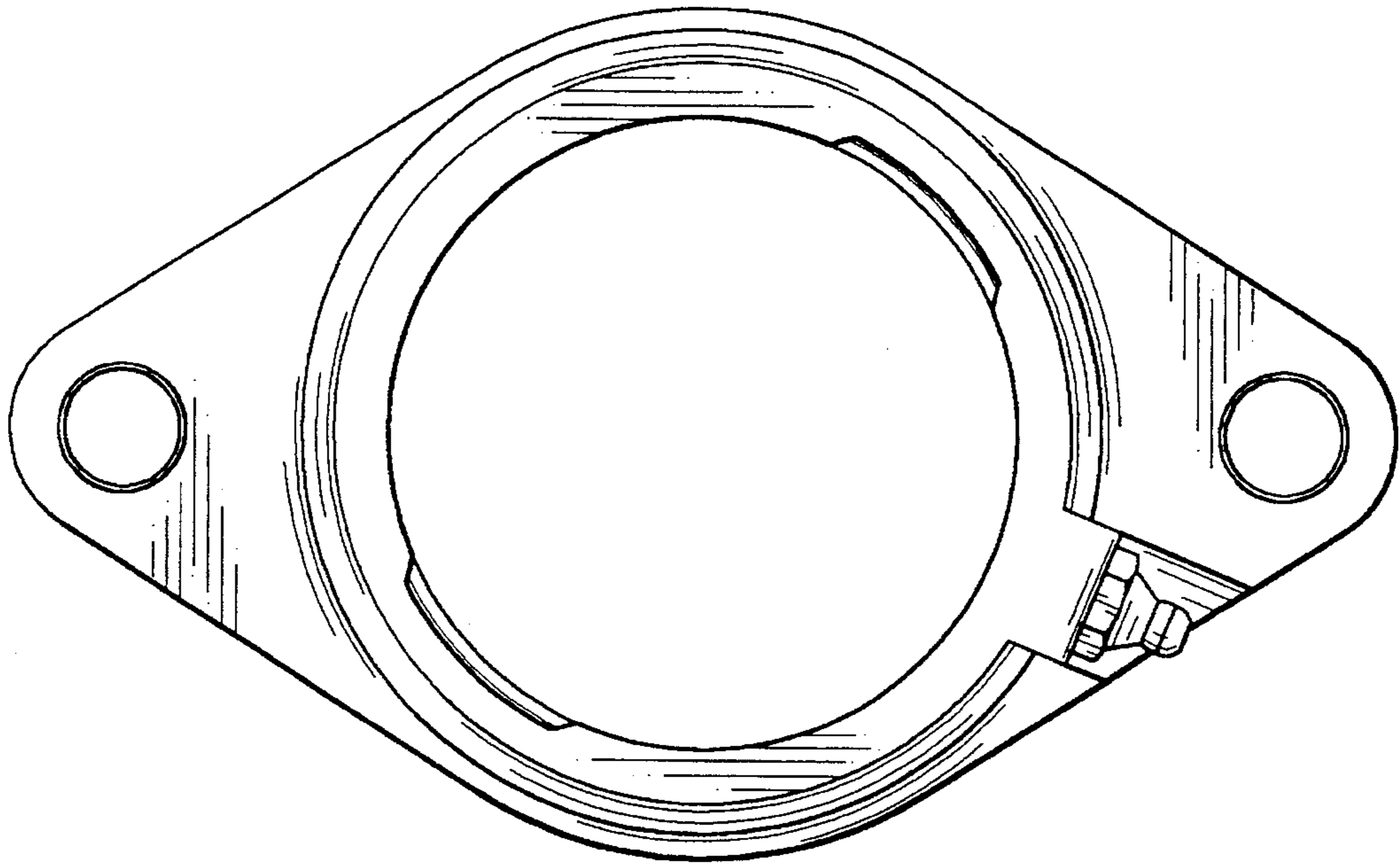




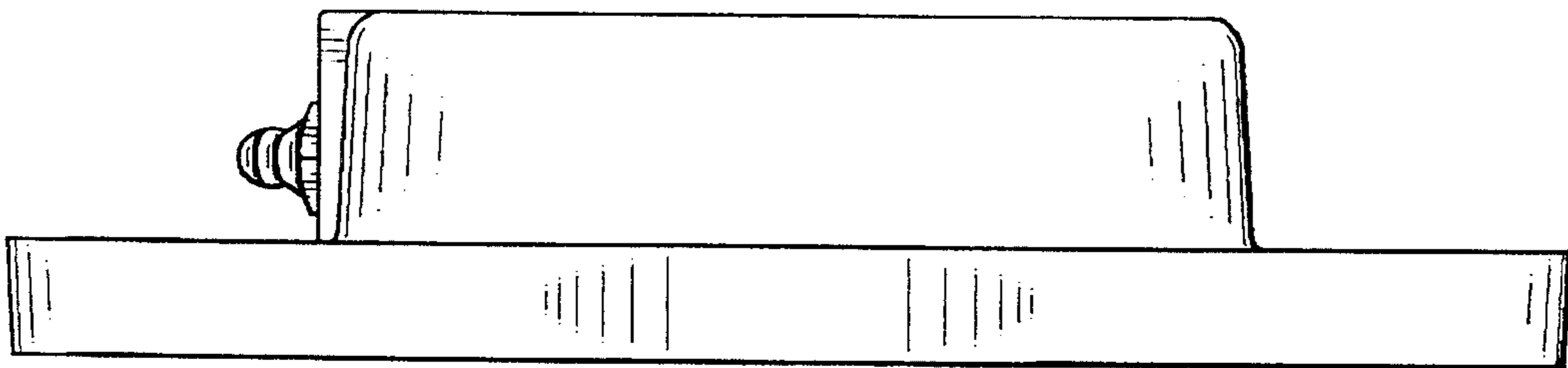
*FIG. 1*



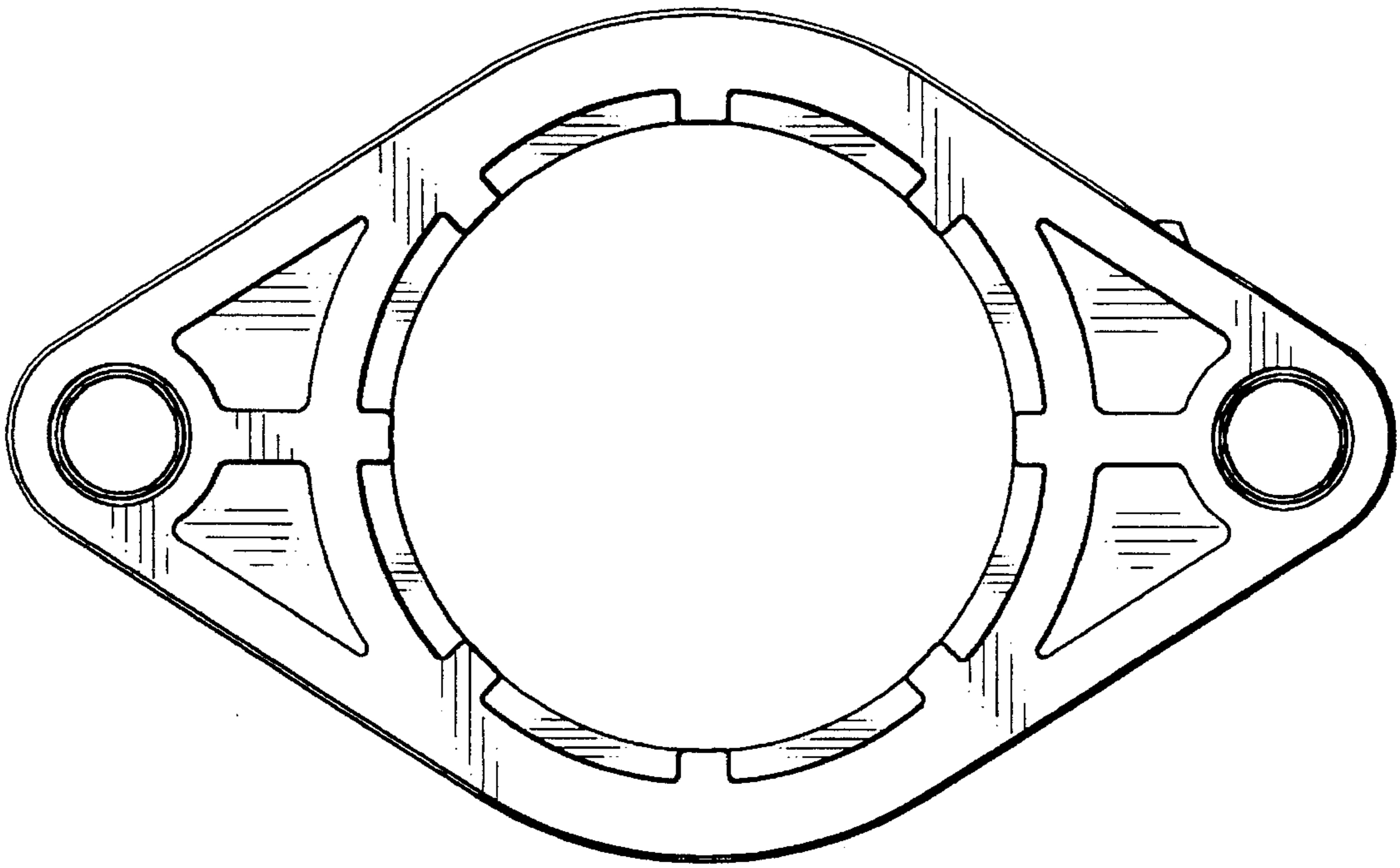
*FIG. 2*



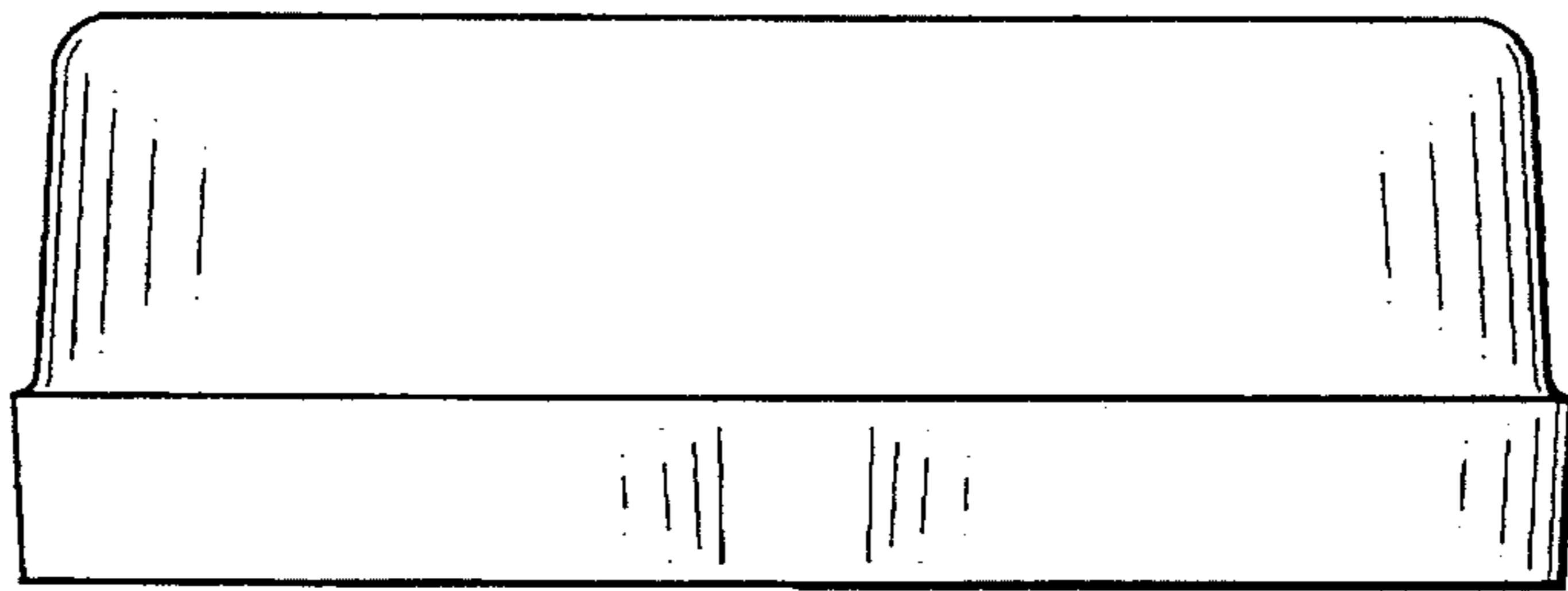
*FIG. 3*



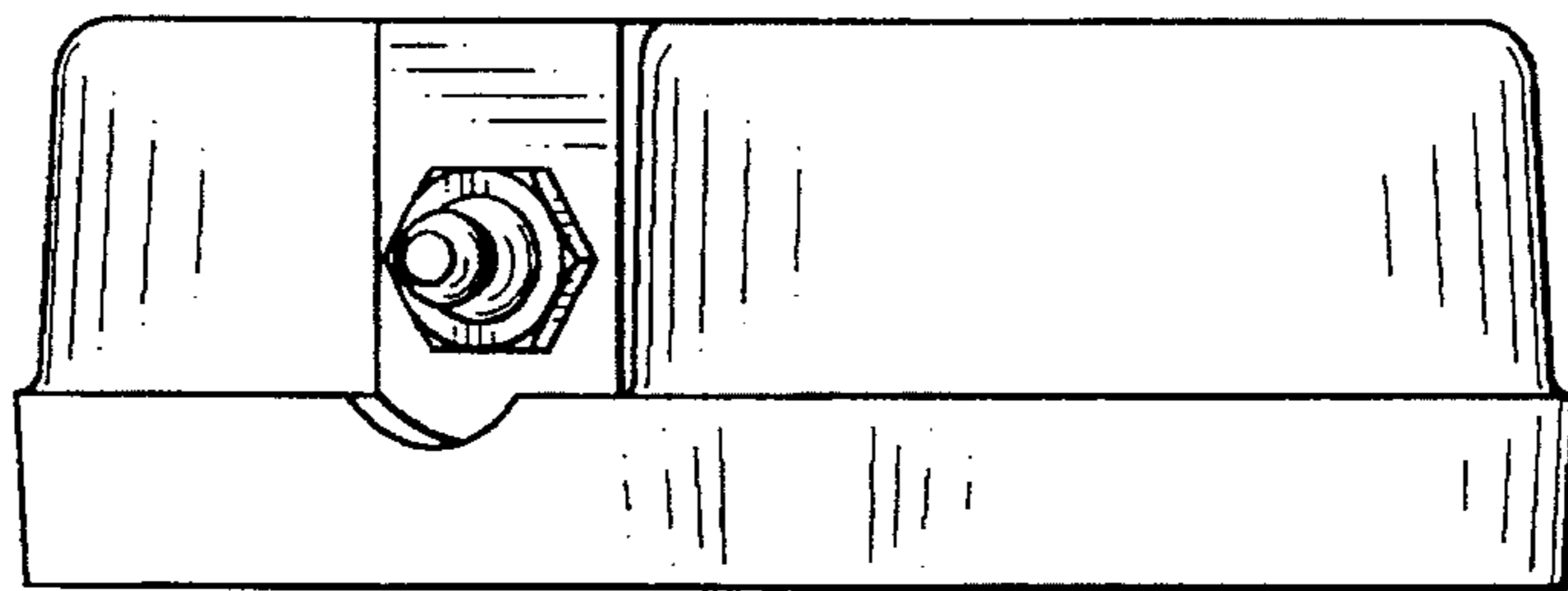
*FIG. 4*



*FIG. 5*



*FIG. 6*



*FIG. 7*

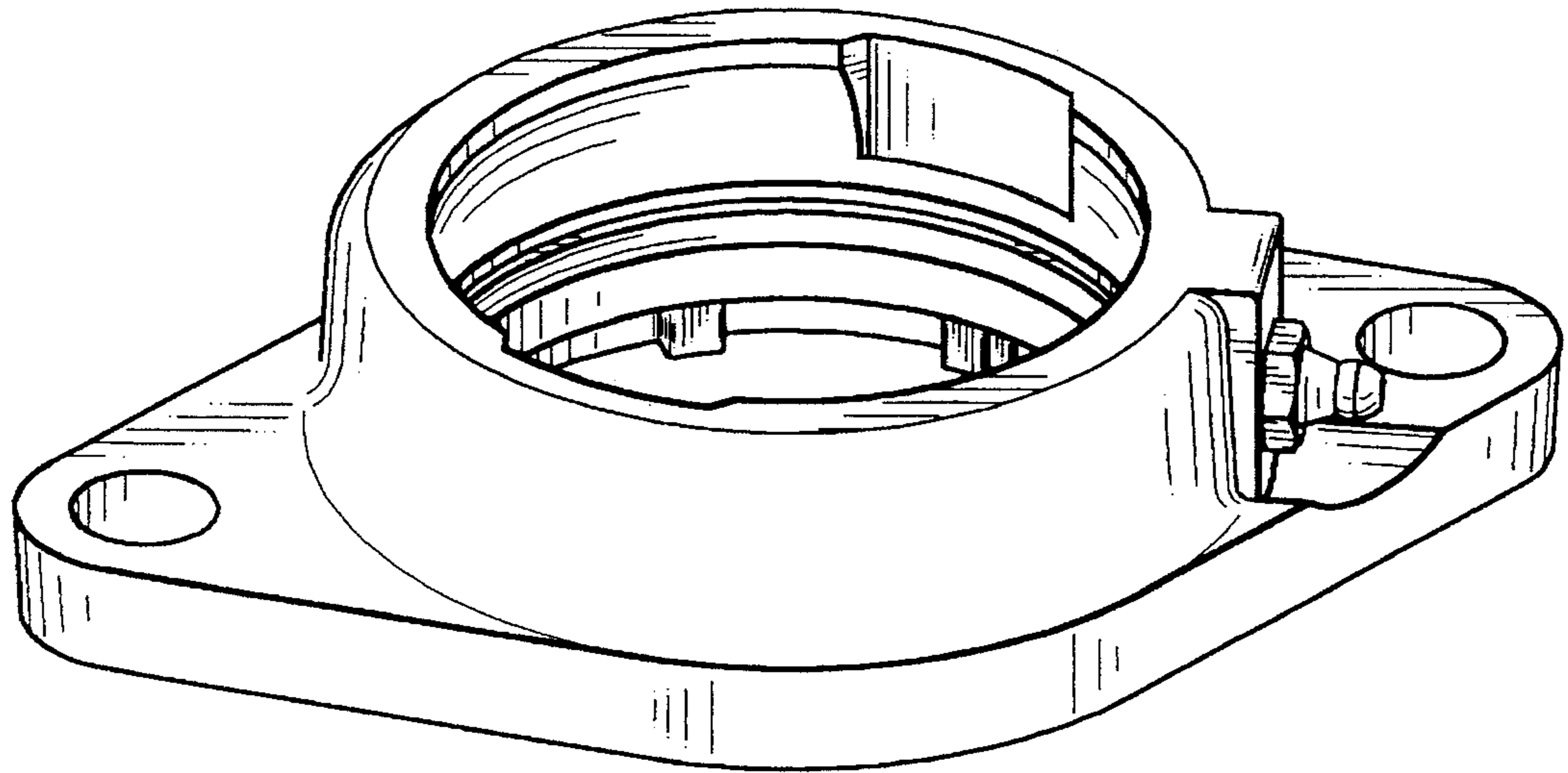


FIG. 8

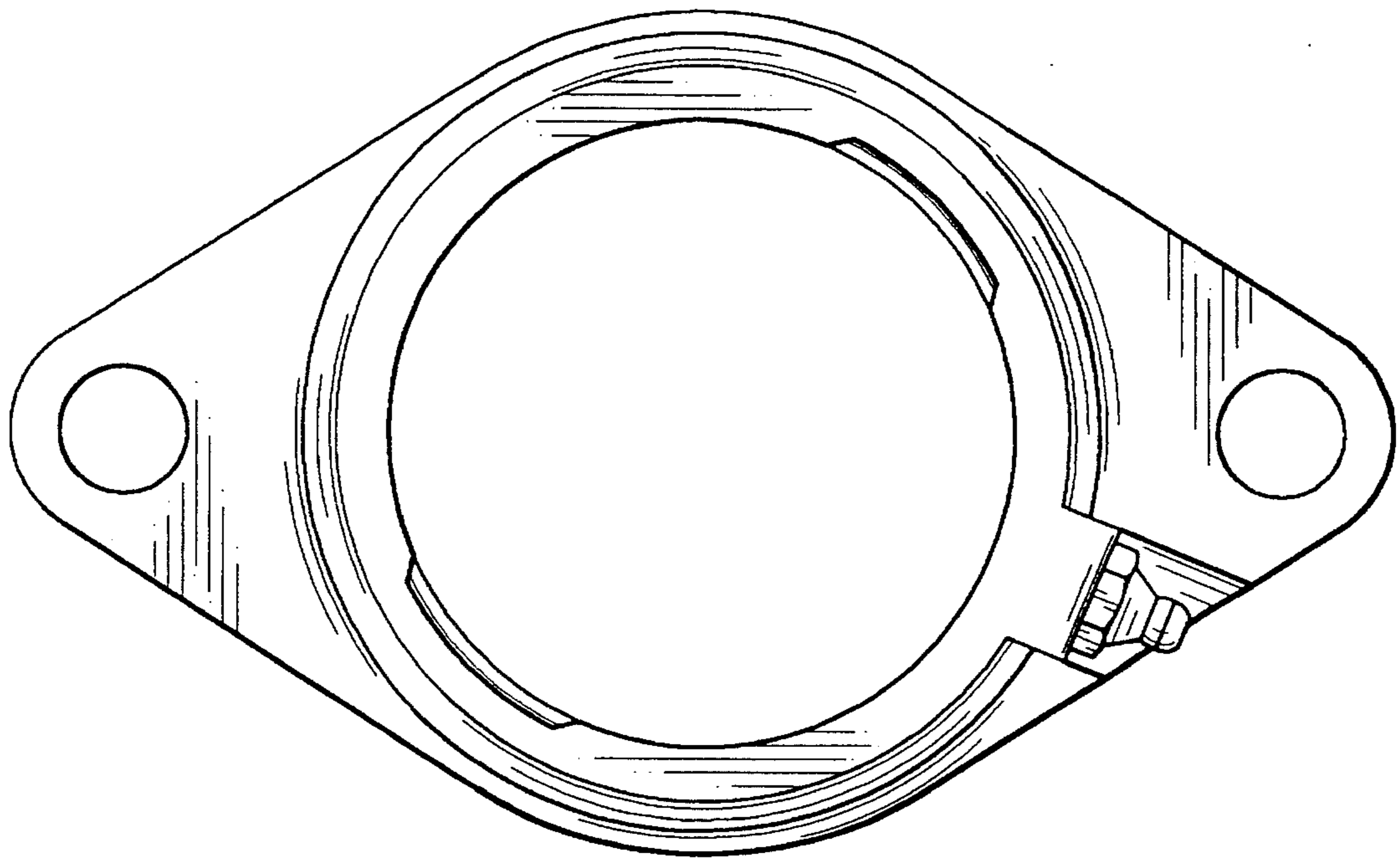
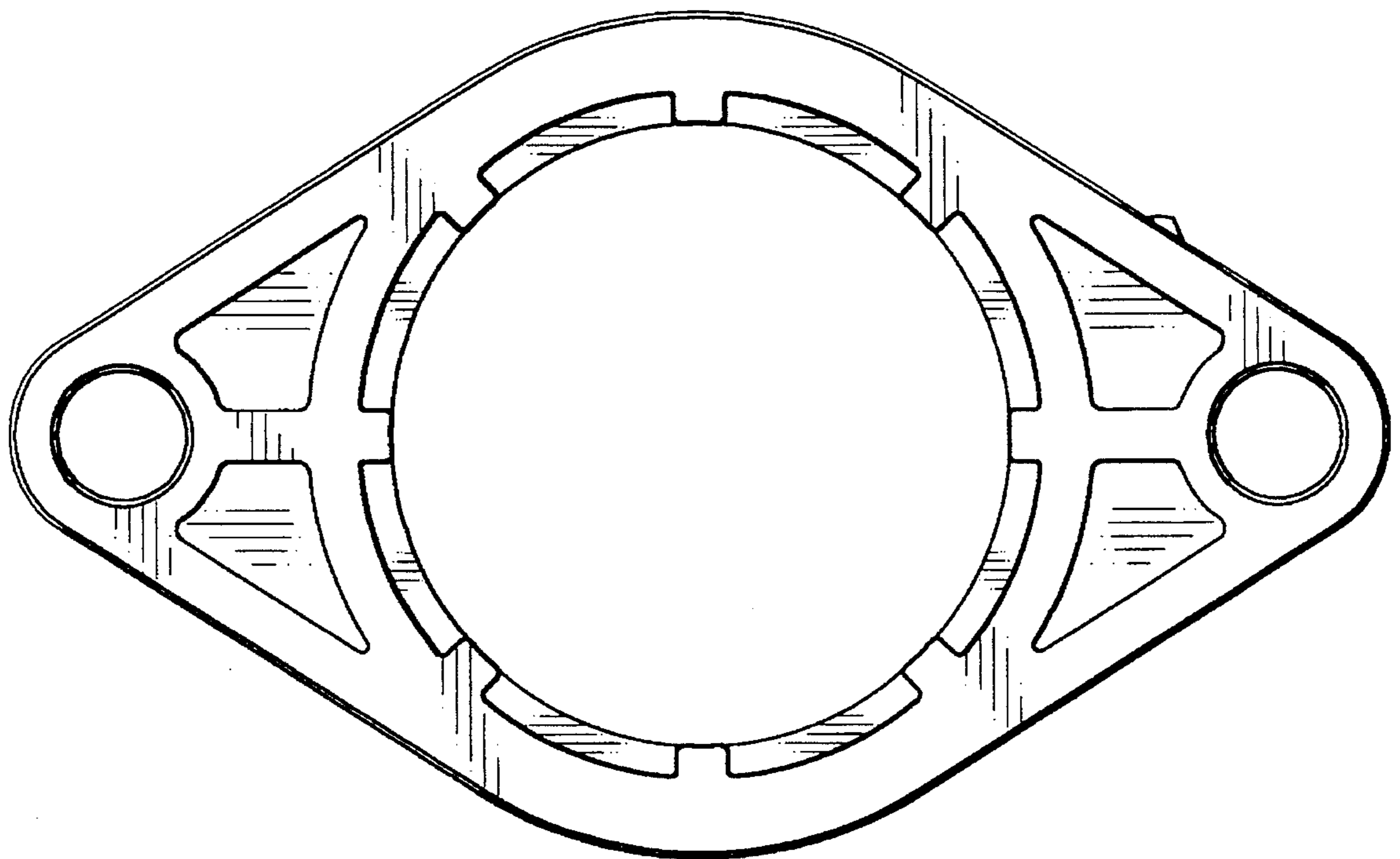


FIG. 9



*FIG. 10*