



US00D371138S

United States Patent [19]
Waskiewicz

[11] **Patent Number: Des. 371,138**

[45] **Date of Patent: **Jun. 25, 1996**

[54] **FLANGE BEARING HOUSING**

[75] Inventor: **Walter P. Waskiewicz**, Bristol, Conn.

[73] Assignee: **The Torrington Company**, Torrington, Conn.

[**] Term: **14 Years**

[21] Appl. No.: **40,929**

[22] Filed: **Jun. 28, 1995**

[52] U.S. Cl. **D15/5**; 384/428

[58] Field of Search D15/5, 143; 384/537, 384/428, 412

[56] **References Cited**

U.S. PATENT DOCUMENTS

3,873,167	3/1975	Anderson .	
3,936,099	2/1976	Braun et al. .	
4,438,991	3/1984	Lundgren	384/537
4,443,044	4/1984	Cain et al.	384/428
4,758,101	7/1988	Roof, Sr. et al. .	

OTHER PUBLICATIONS

Page from sales brochure of SKF GmbH, Schweinfurt, Fed. Reb. of Germany.

Page from sales brochure of Dodge Division, Reliance Electric Company, Cleveland, OH.

Pp. (2) from sales brochure of The Torrington Company, Torrington, Conn.

Link Belt Advertisement—Product Engineering Feb. 19, 1962 p. 8 at bottom left.

Fafnir Bearing Catalog catalog #21 ©1966 p. 116 at top left.

Primary Examiner—Louis S. Zarfes

Assistant Examiner—Frank Martinez

Attorney, Agent, or Firm—John C. Bigler

[57] **CLAIM**

The ornamental design for a flange bearing housing, as shown and described.

DESCRIPTION

FIG. 1 is a pictorial view of the top, front and right side of one embodiment of a flange bearing housing showing my design;

FIG. 2 is a front view of my flange bearing housing design; FIG. 3 is a top view of the embodiment of FIG. 1 showing my flange bearing housing design;

FIG. 4 is a rear view of my flange bearing housing design; FIG. 5 is a bottom view of the embodiment of FIG. 1 showing my flange bearing housing design;

FIG. 6 is a left side view of my flange bearing housing design;

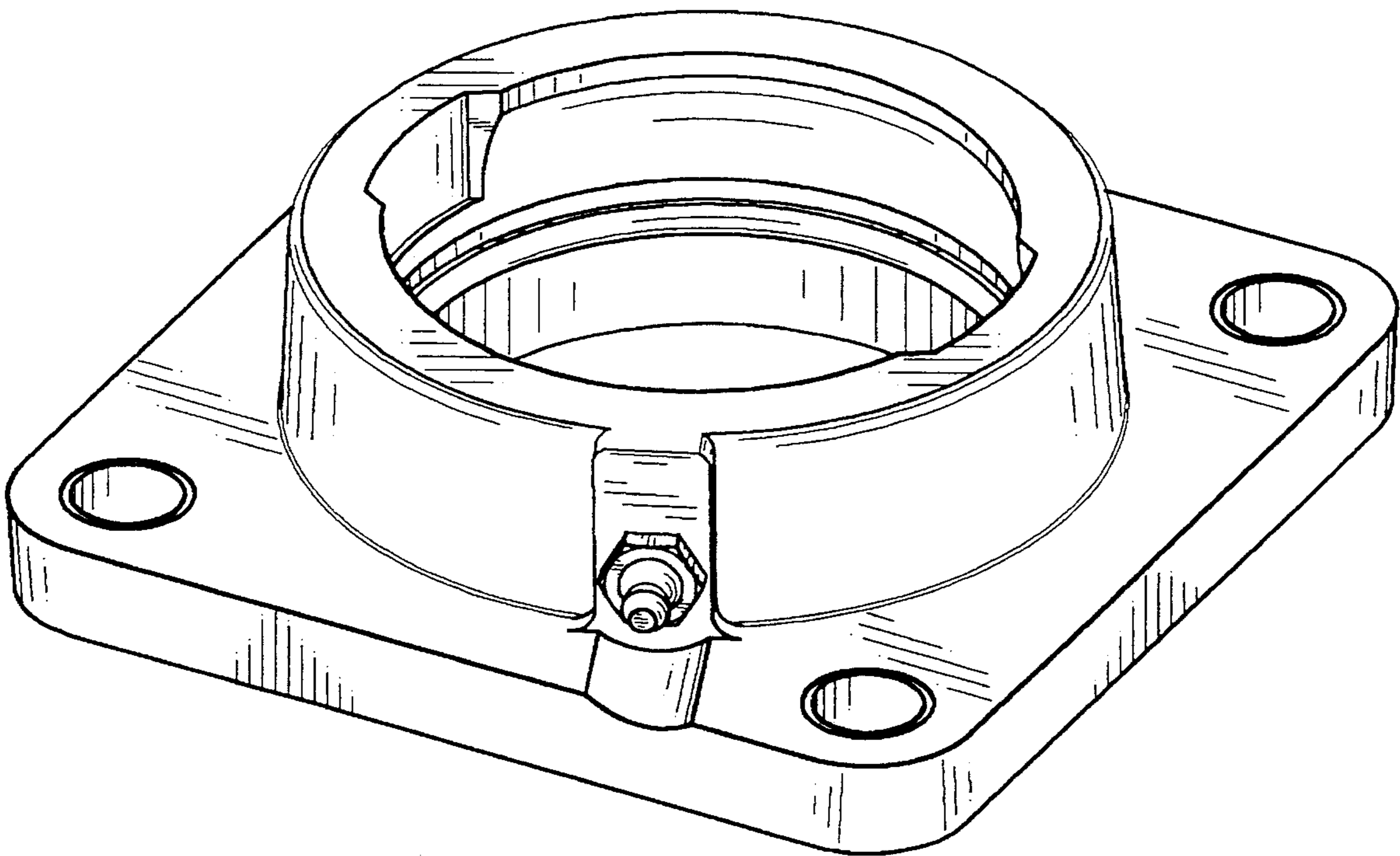
FIG. 7 is a right side view of my flange bearing housing design;

FIG. 8 is a pictorial view of the top, front and right side of another embodiment of a flange bearing housing showing my design;

FIG. 9 is a top view of the embodiment of FIG. 8 showing my flange bearing housing design; and,

FIG. 10 is a bottom view of the embodiment of FIG. 1 showing my flange bearing housing design.

1 Claim, 5 Drawing Sheets



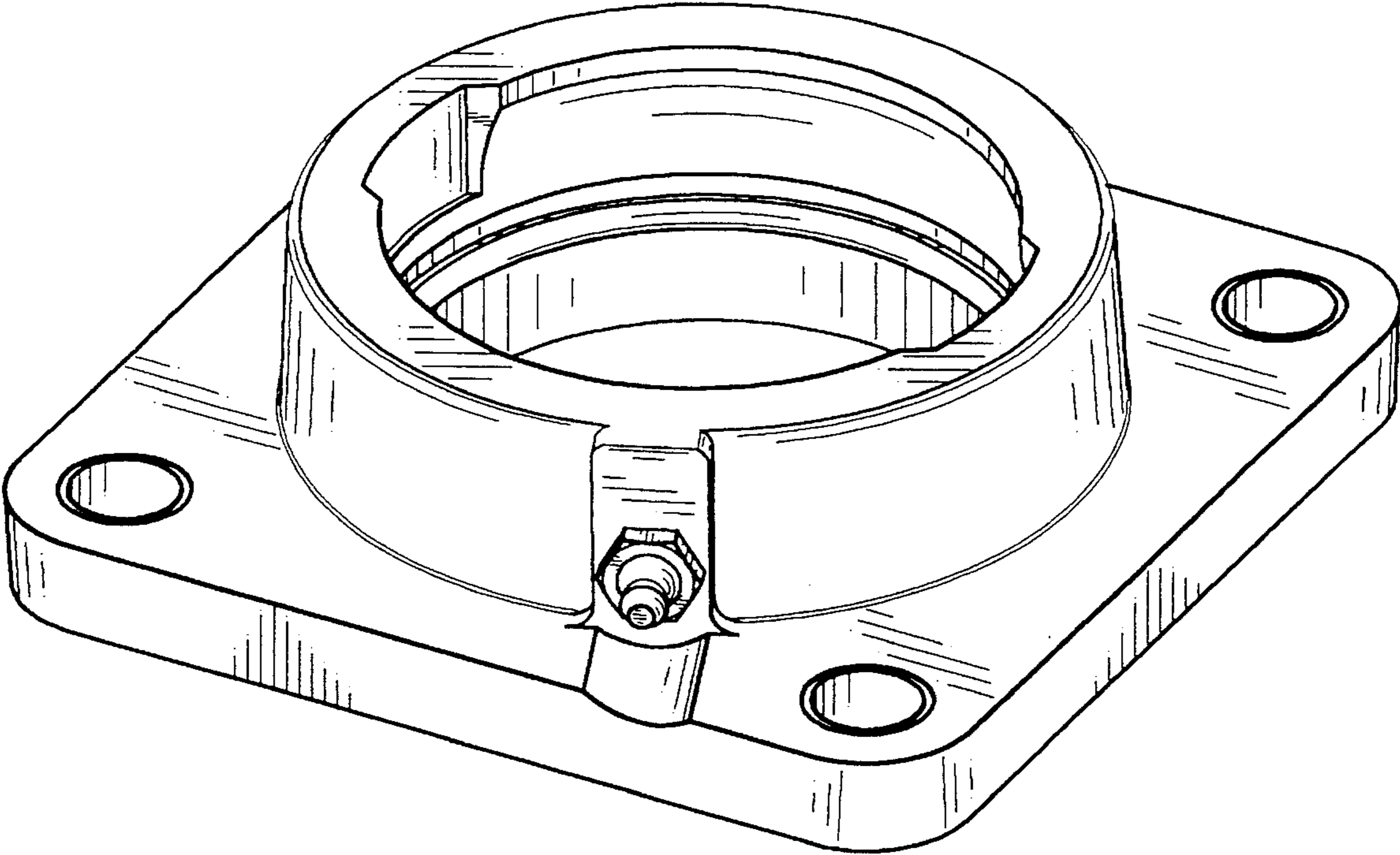


FIG. 1

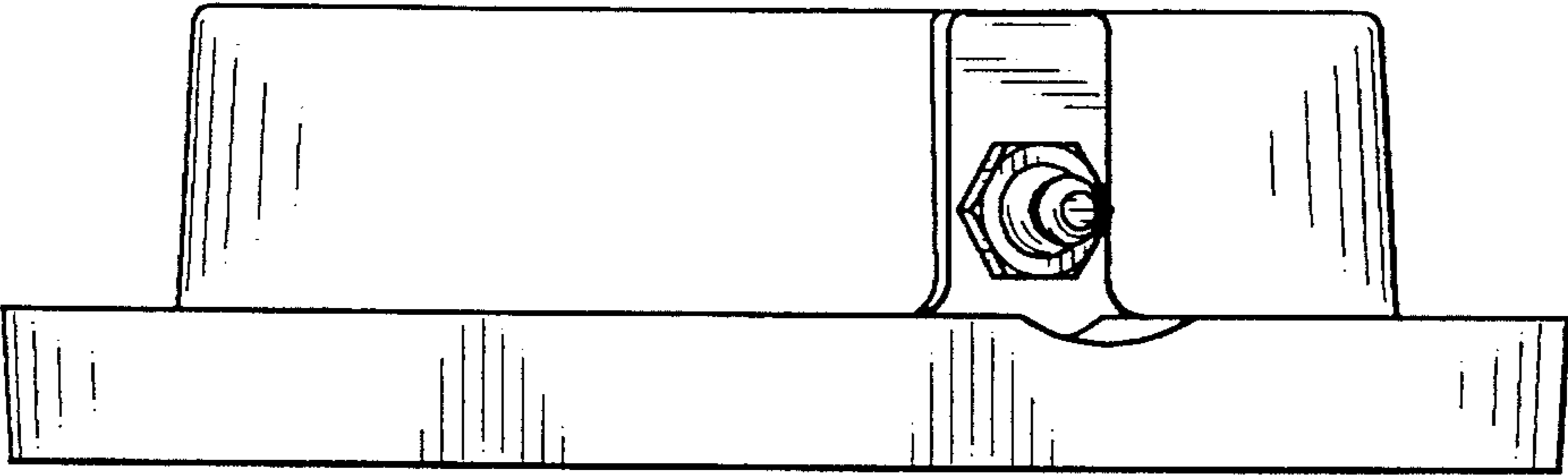


FIG. 2

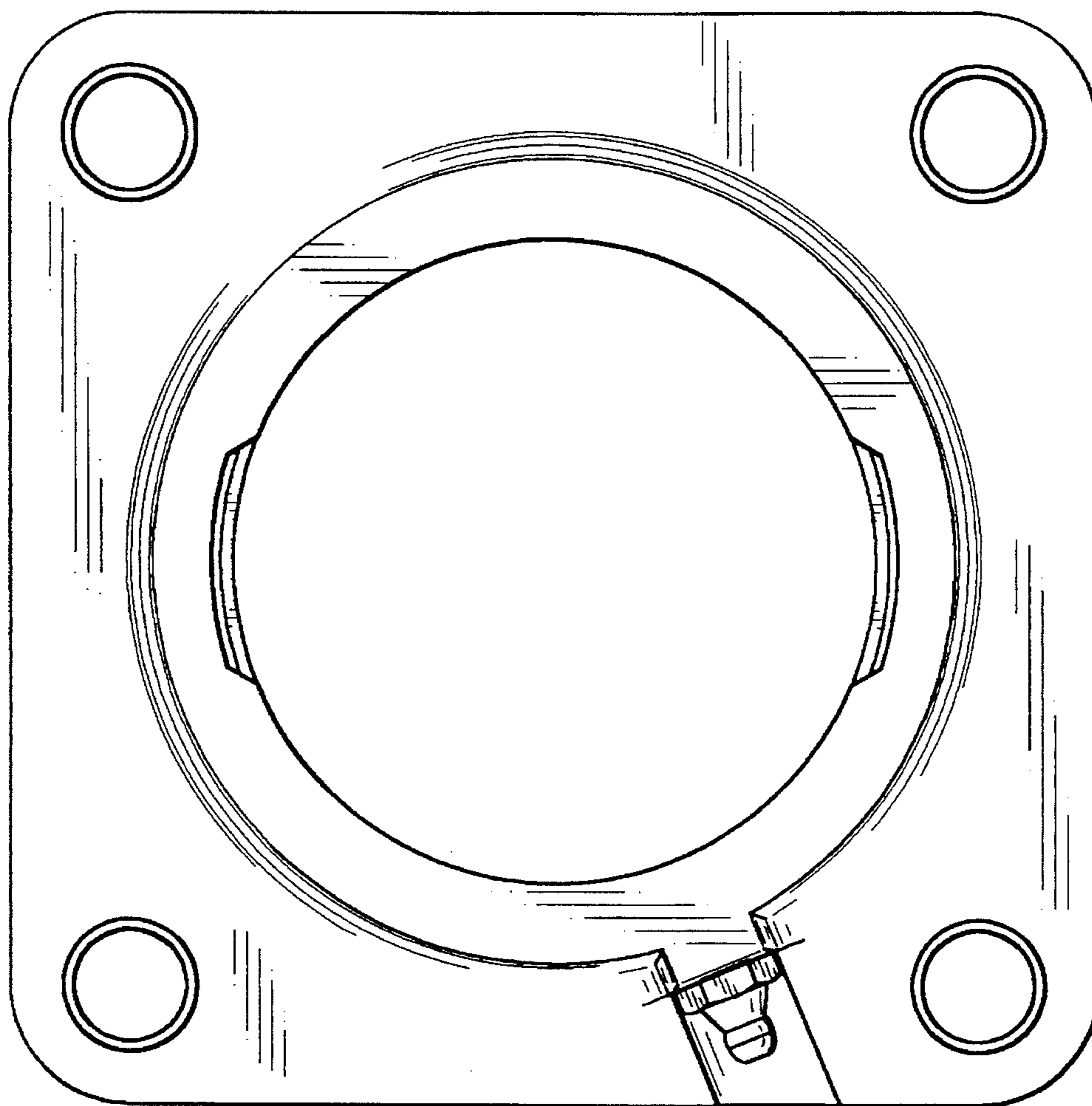


FIG. 3

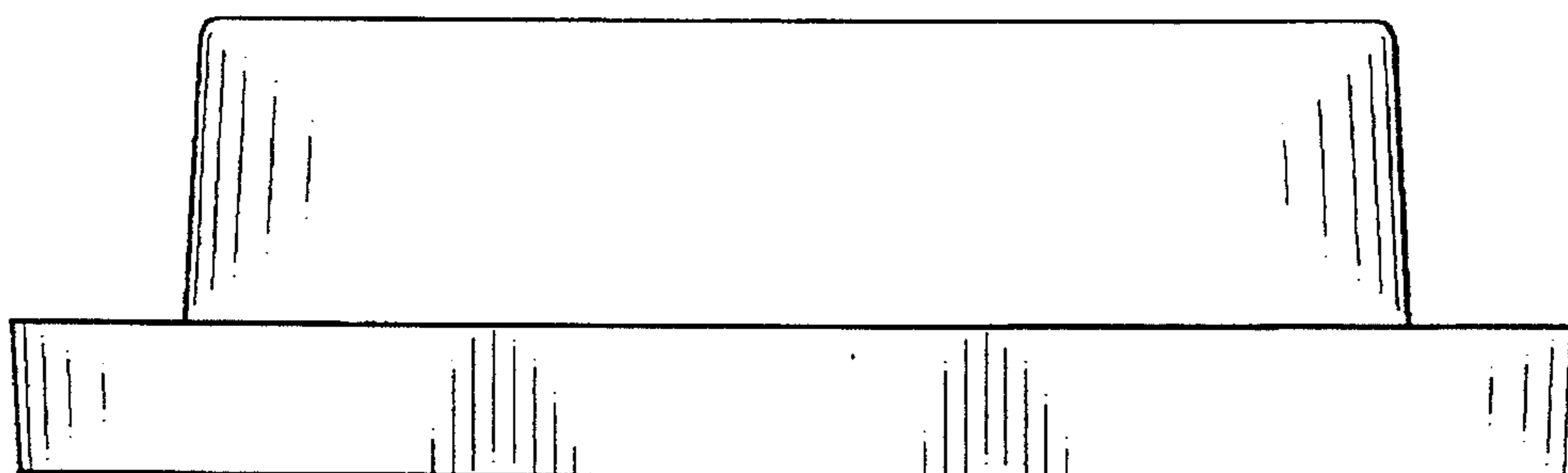


FIG. 4

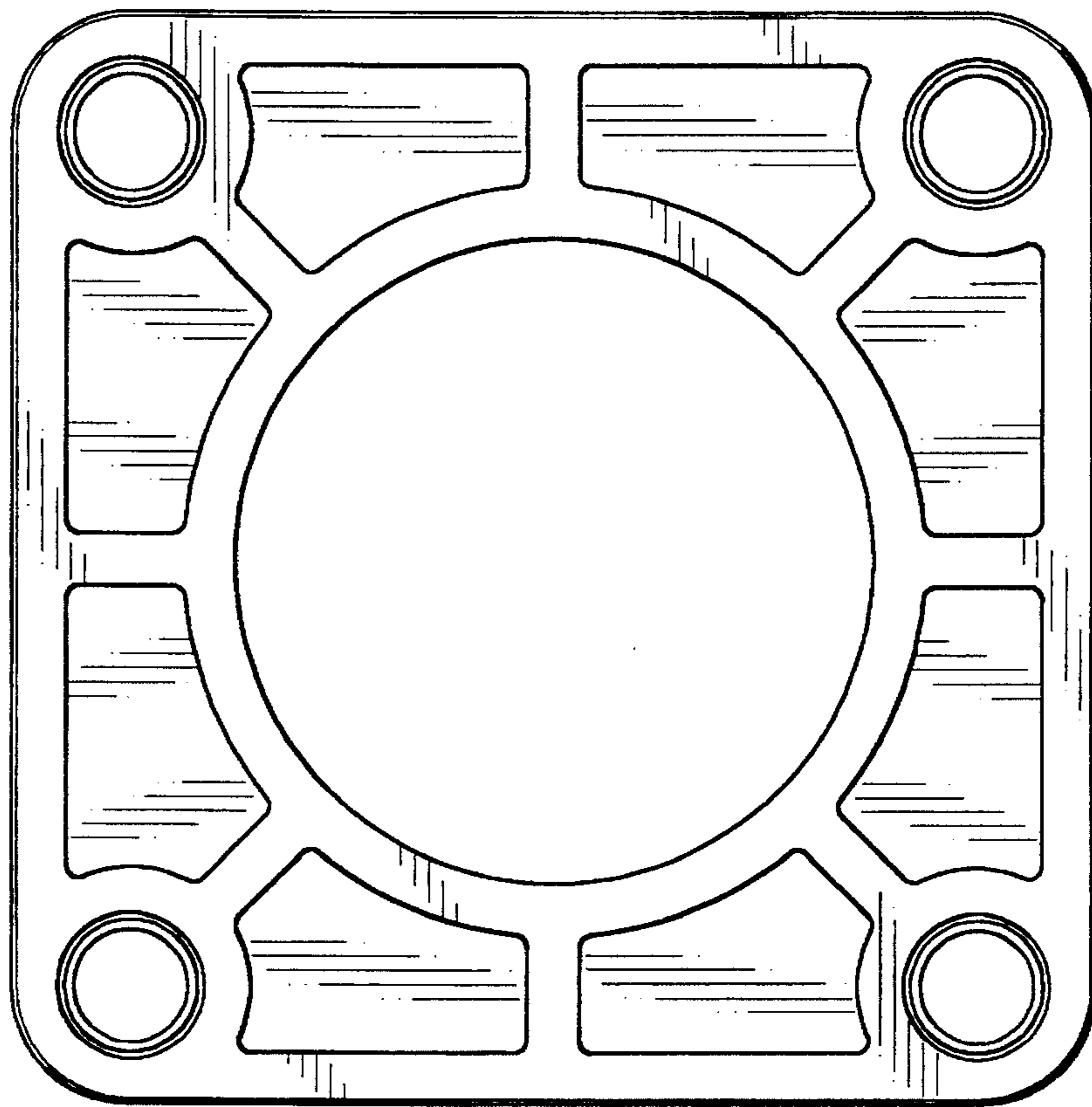


FIG. 5

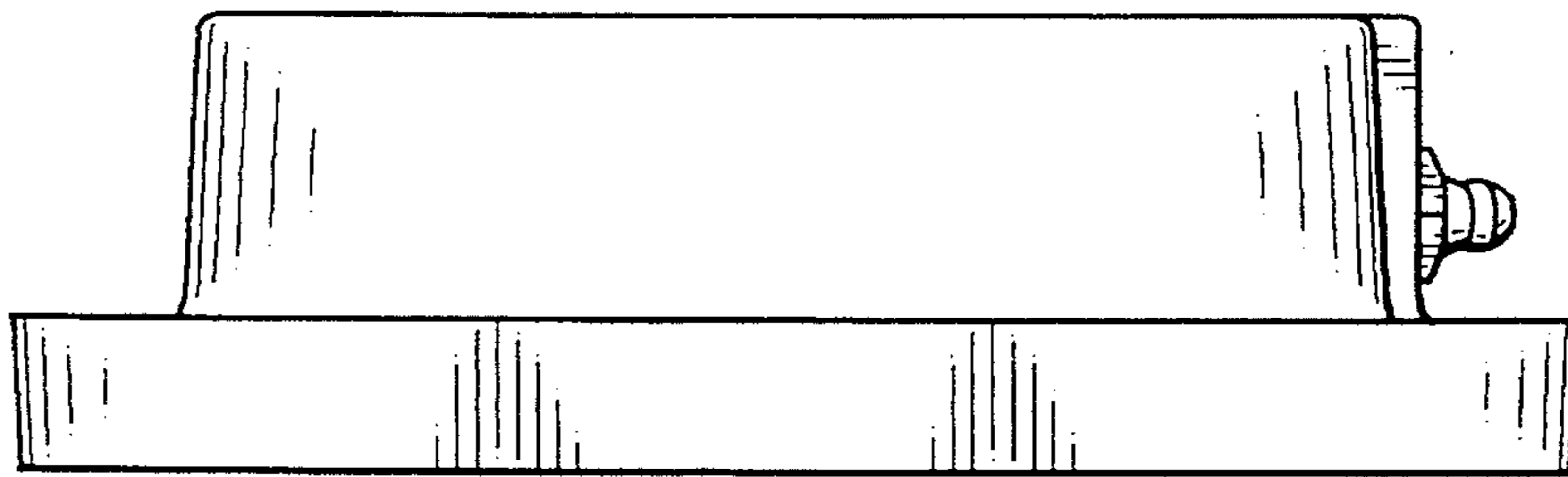


FIG. 6

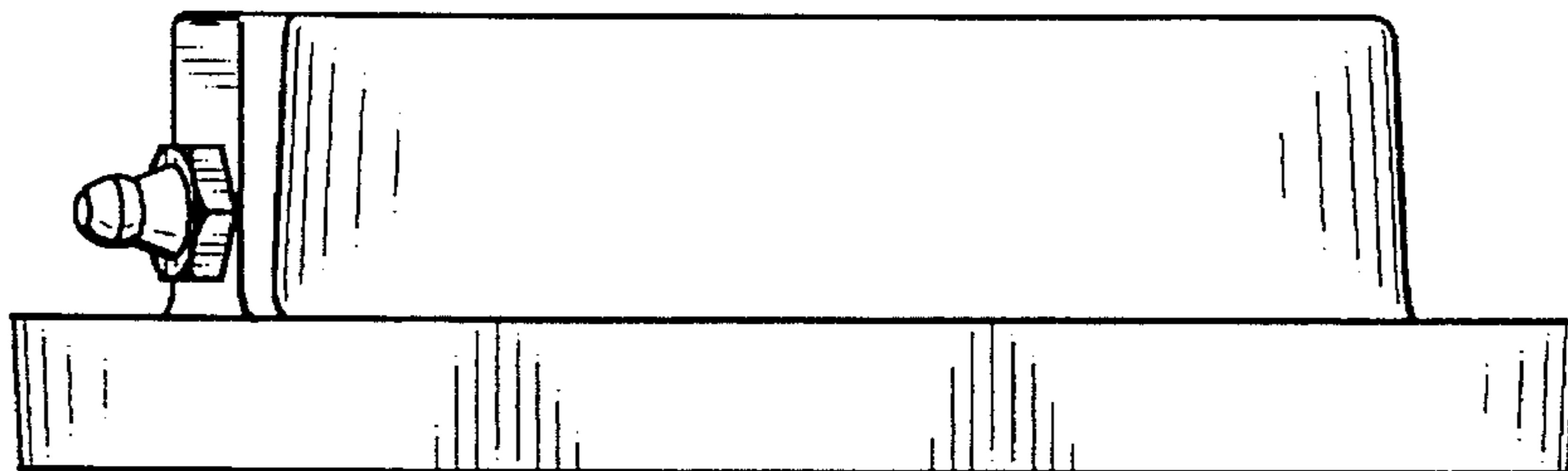


FIG. 7

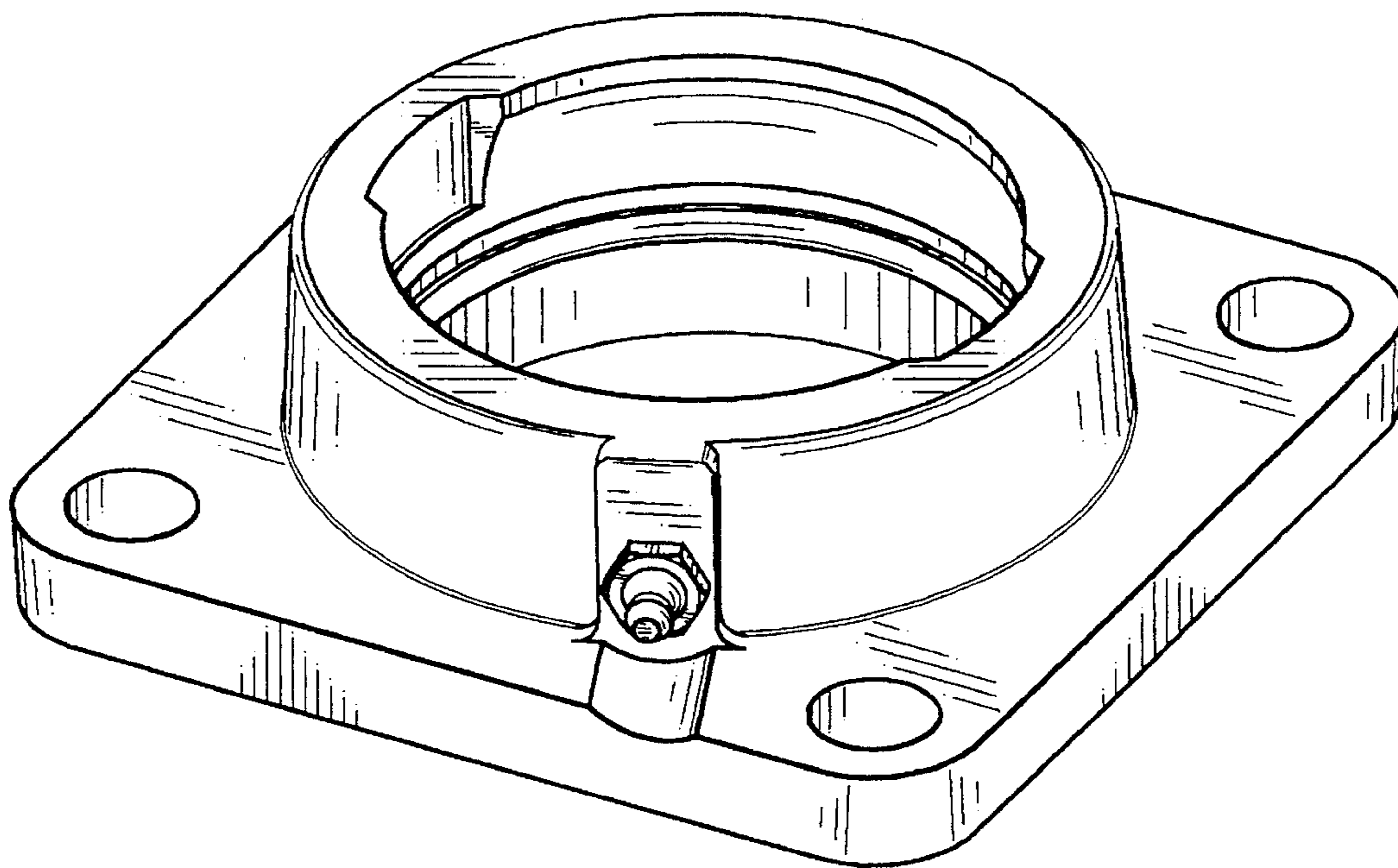


FIG. 8

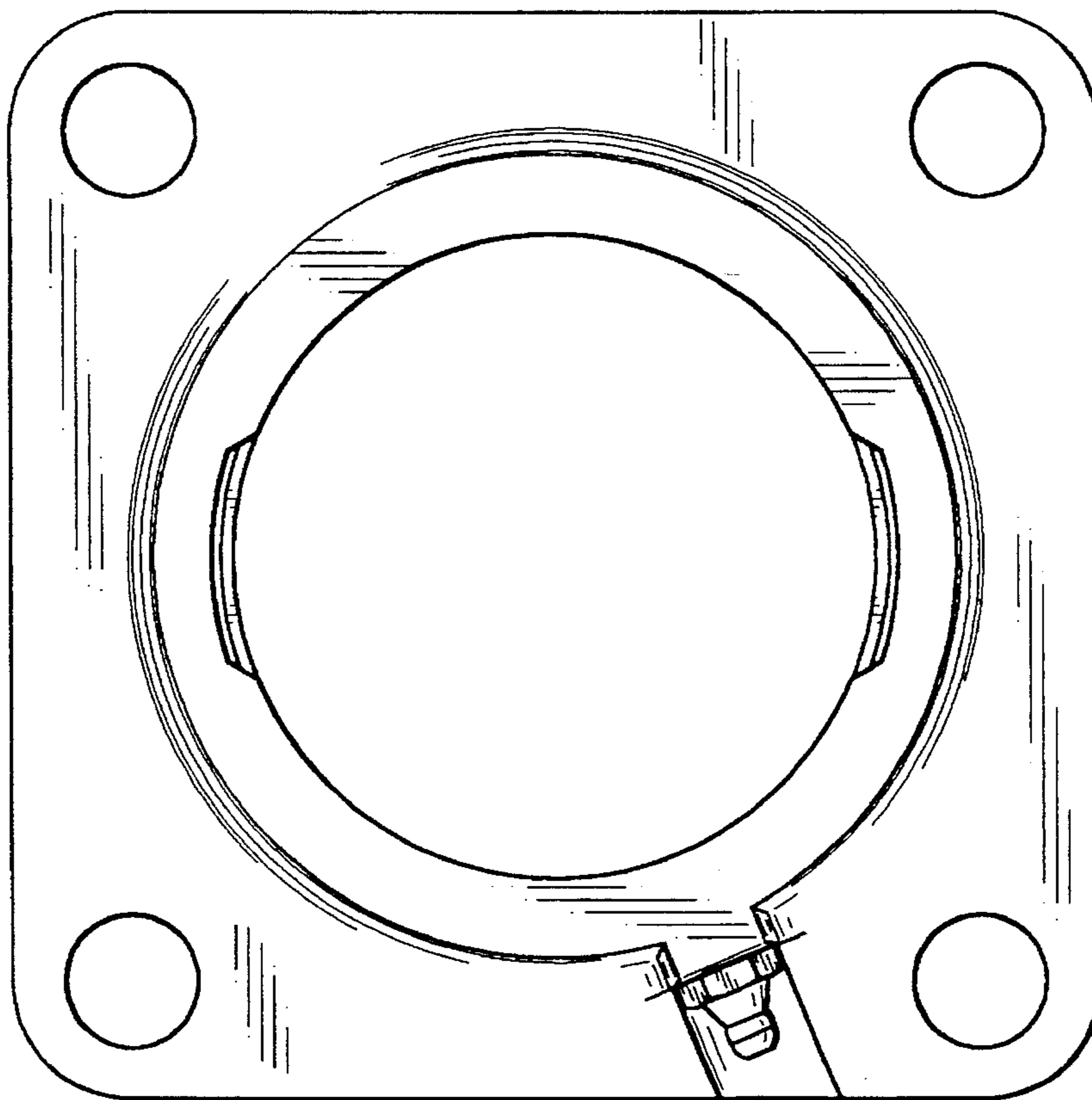


FIG. 9

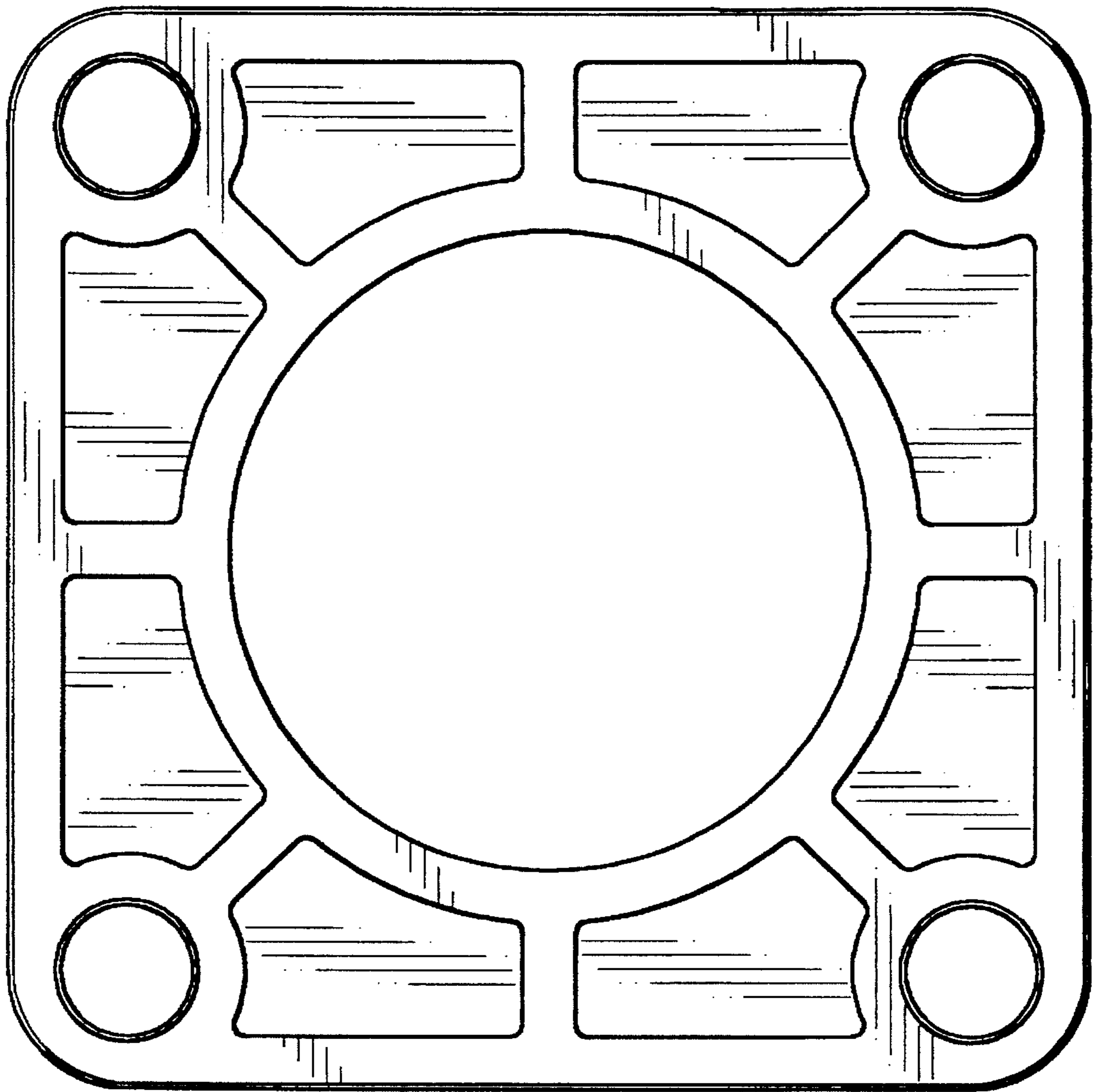


FIG. 10