



US00D371135S

United States Patent [19]

[11] Patent Number: **Des. 371,135**

Jutte

[45] Date of Patent: ****Jun. 25, 1996**

[54] **VARIABLE TELEPHONE RINGER**

[76] Inventor: **Matthew S. Jutte**, Naval Air Station
VF-45, Key West, Fla. 33040

[**] Term: **14 Years**

[21] Appl. No.: **41,368**

[22] Filed: **Jul. 12, 1995**

[52] U.S. Cl. **D14/240; D13/162; D14/243**

[58] Field of Search D14/140, 240,
D14/243, 241, 149, 142, 141; D13/162,
164; D21/13, 48; 379/374, 375, 440, 428,
419, 420, 441, 442; 174/50, 52.1, 53; 361/641,
724, 686, 814

4,727,572 2/1988 Whitney 379/374
4,833,709 5/1989 Pasinski et al. 379/374
4,856,055 8/1989 Schwartz 379/374

OTHER PUBLICATIONS

B. A. Pargh 1991 Spring/Summer Catalog p. 324, MHEBES Calling Line Identifier 20.

Primary Examiner—Jeffrey Asch
Attorney, Agent, or Firm—James A. Hudak

[57] CLAIM

The ornamental design for a variable telephone ringer, as shown and described.

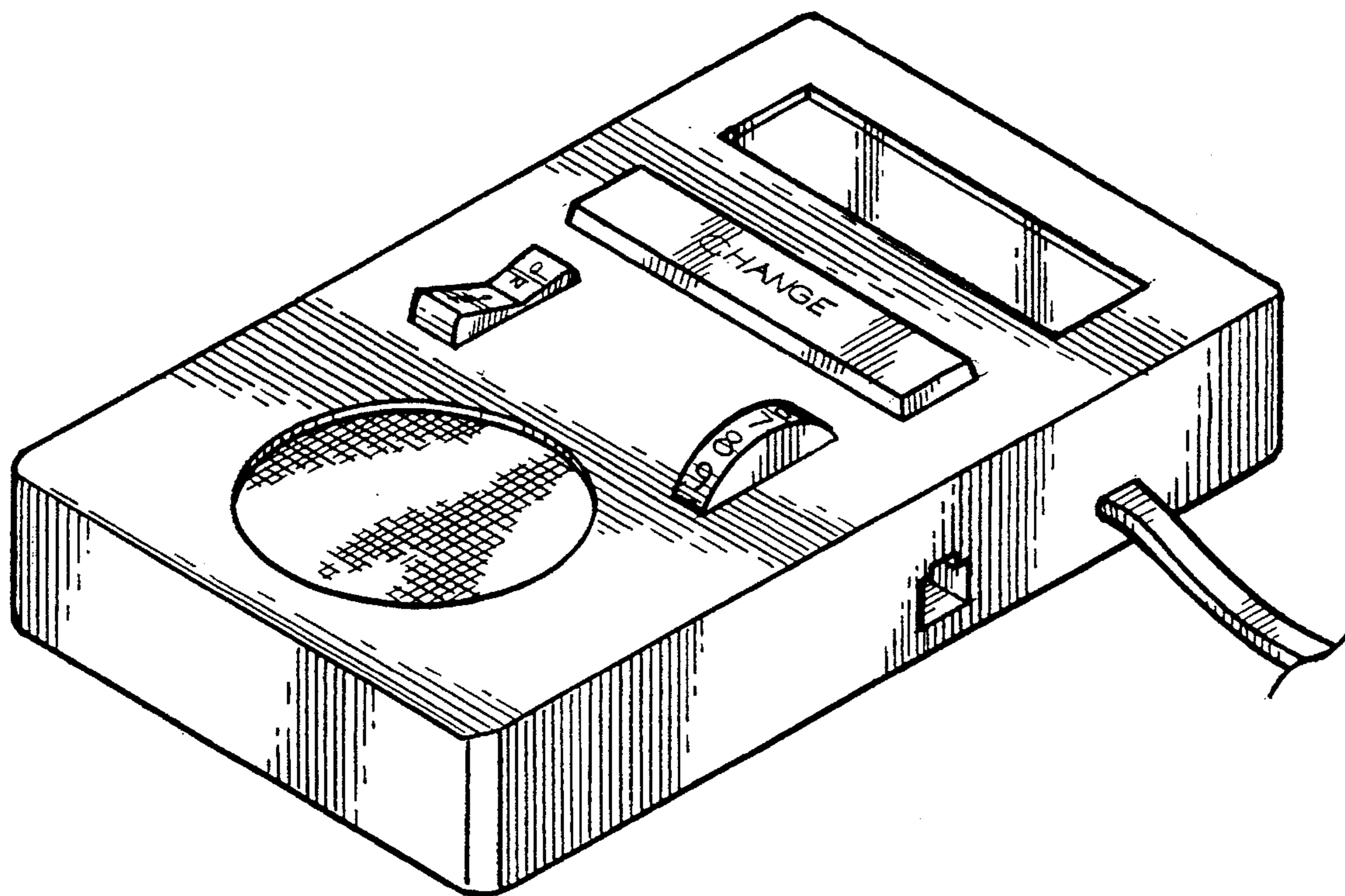
DESCRIPTION

FIG. 1 is a perspective view of the variable telephone ringer showing my new design;
FIG. 2 is a front elevational view thereof;
FIG. 3 is a rear elevational view thereof;
FIG. 4 is a right side elevational view thereof;
FIG. 5 is a left side elevational view thereof;
FIG. 6 is a top plan view thereof; and,
FIG. 7 is a bottom plan view thereof.

1 Claim, 3 Drawing Sheets

[56] **References Cited**
U.S. PATENT DOCUMENTS

D. 239,838	5/1976	Crimmins	D14/149
D. 255,563	6/1980	Brooksby et al.	D13/162 X
D. 277,282	1/1985	Barton, III et al.	D14/241
D. 286,403	10/1986	Parshad et al.	D14/240
D. 329,062	9/1992	Chin	D21/13
D. 356,797	3/1995	Young	D14/243
2,924,670	2/1960	Dee	D14/243



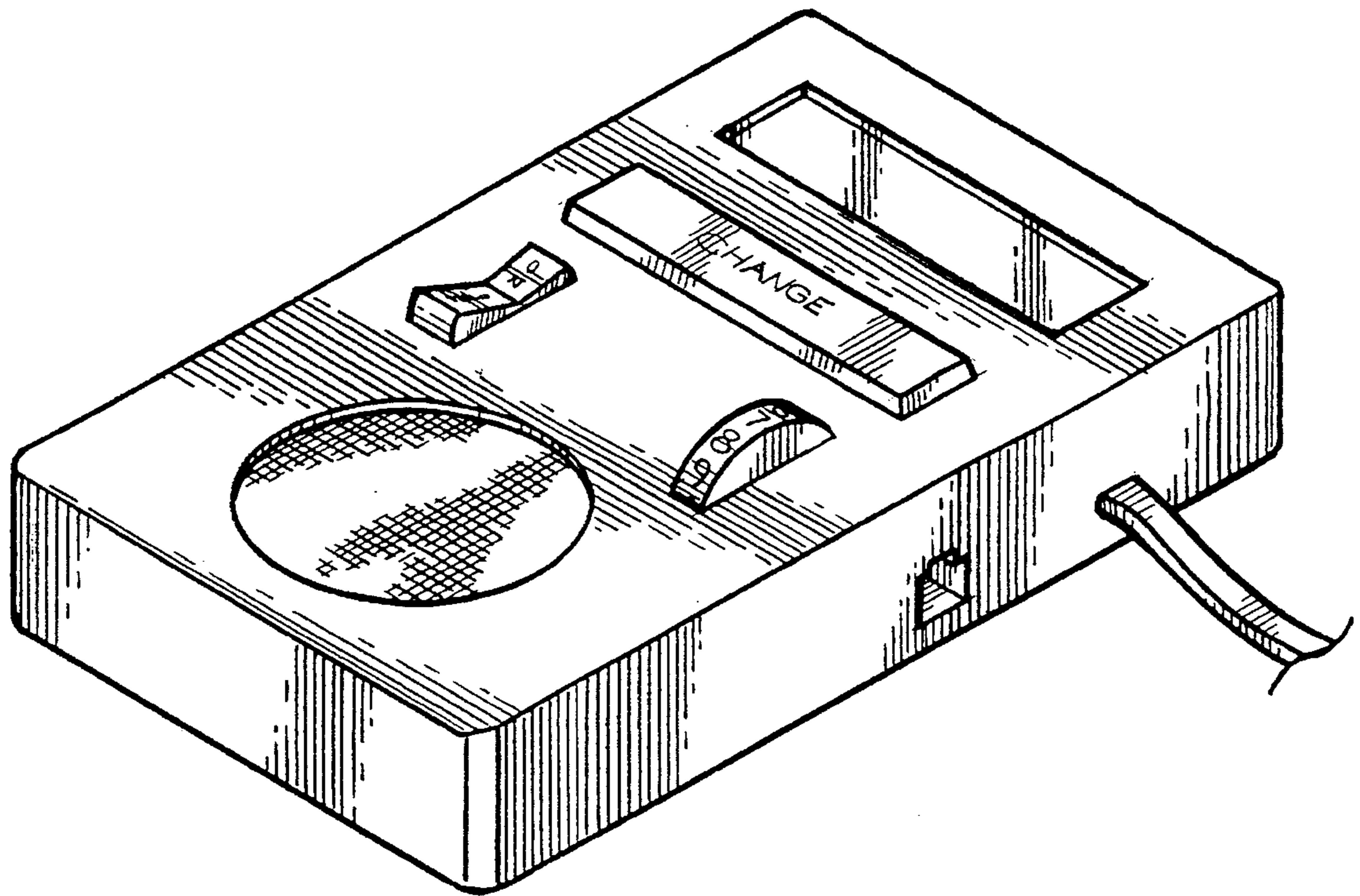


FIG. 1

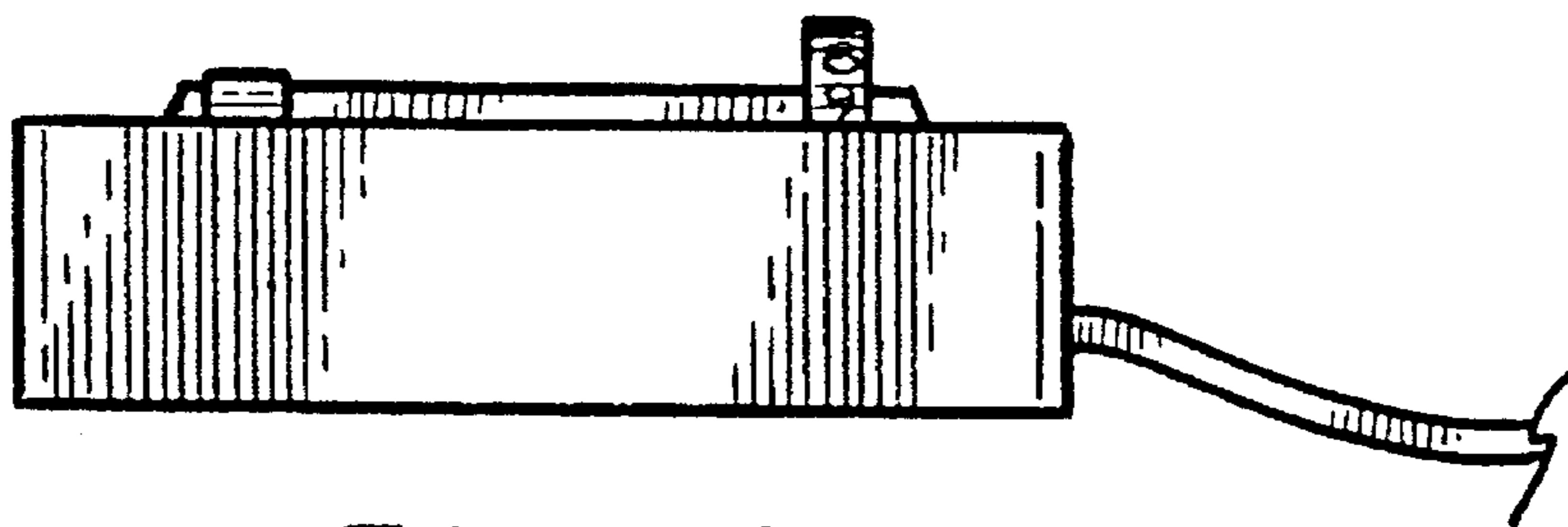


FIG. 2

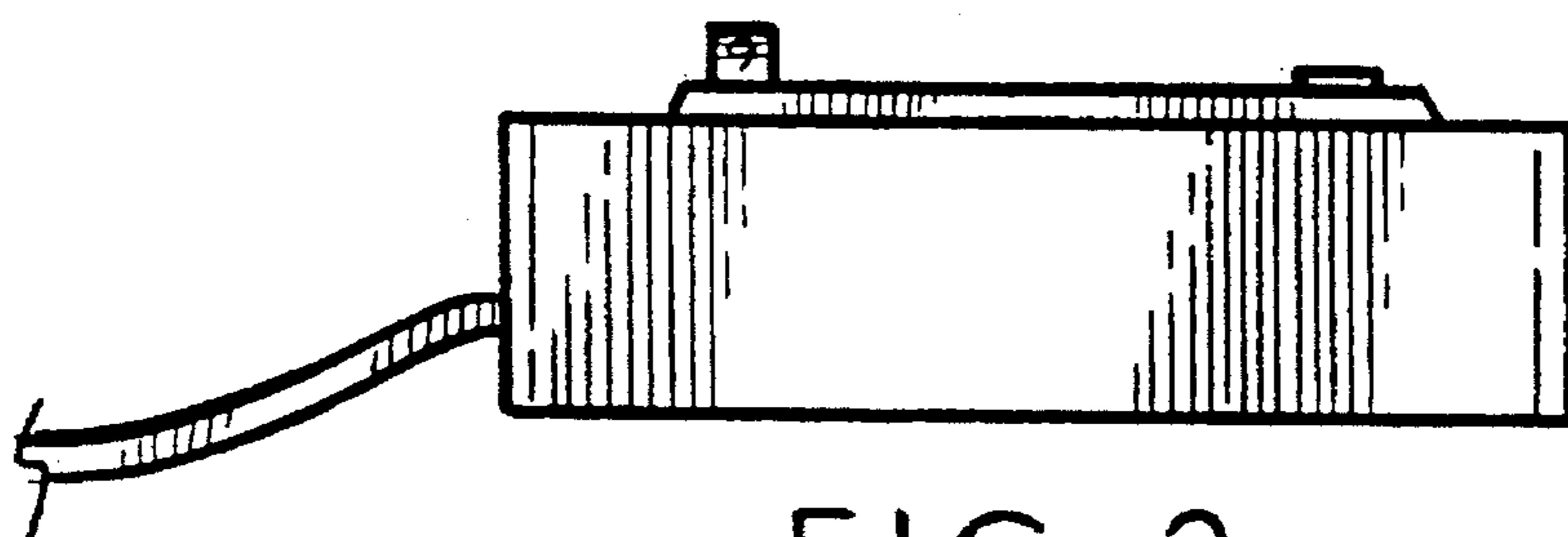


FIG. 3

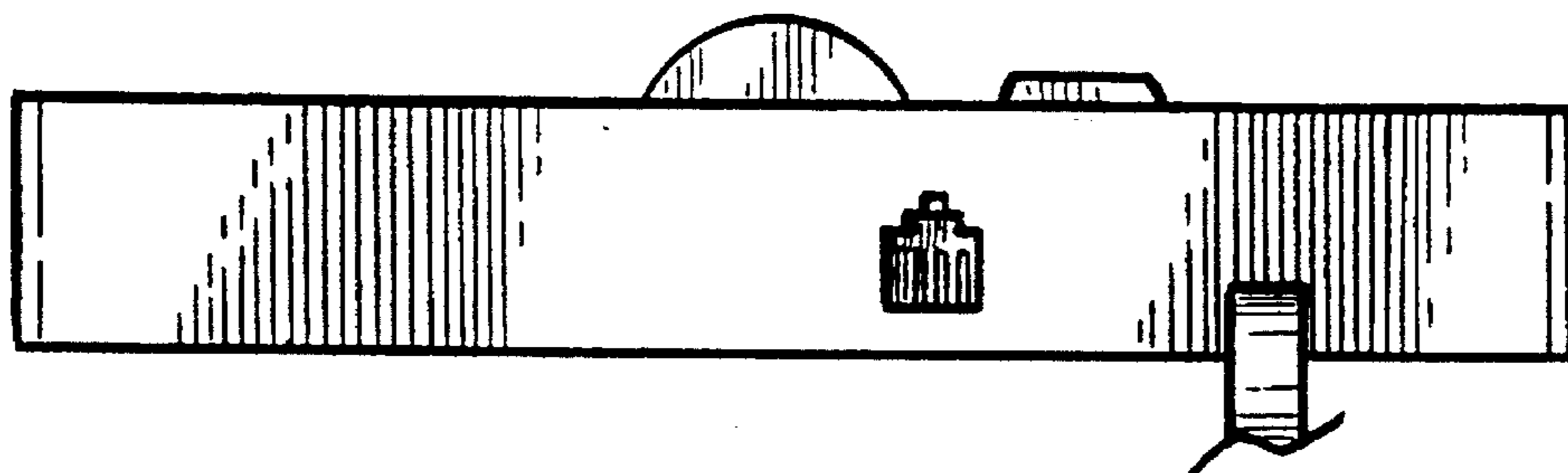


FIG. 4

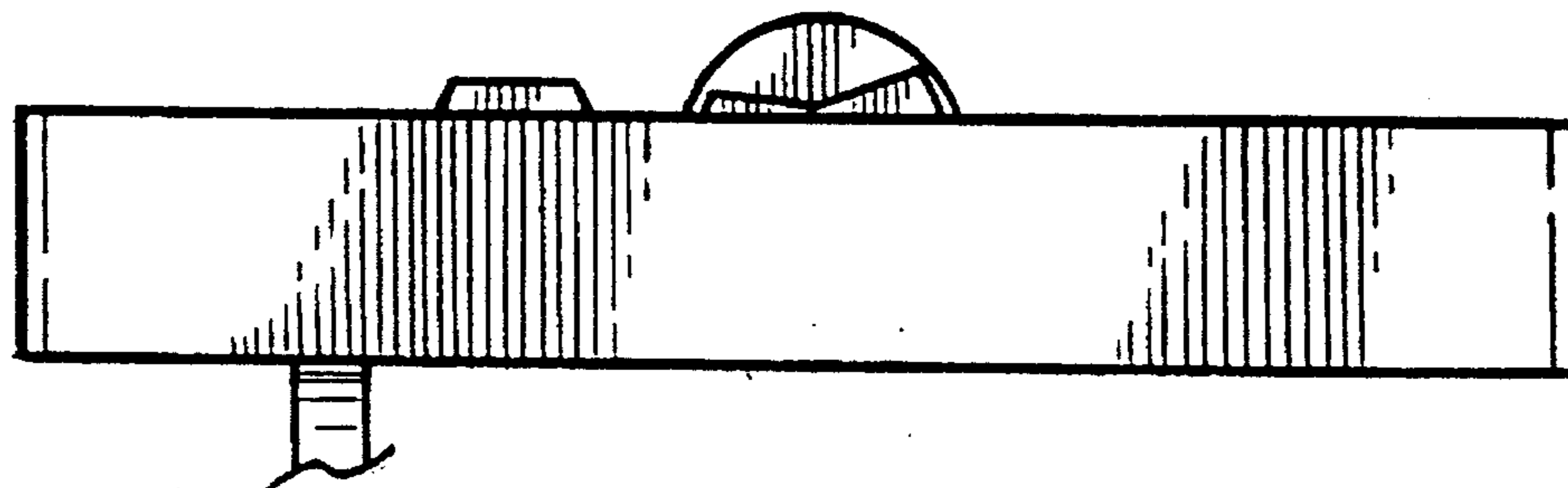


FIG. 5

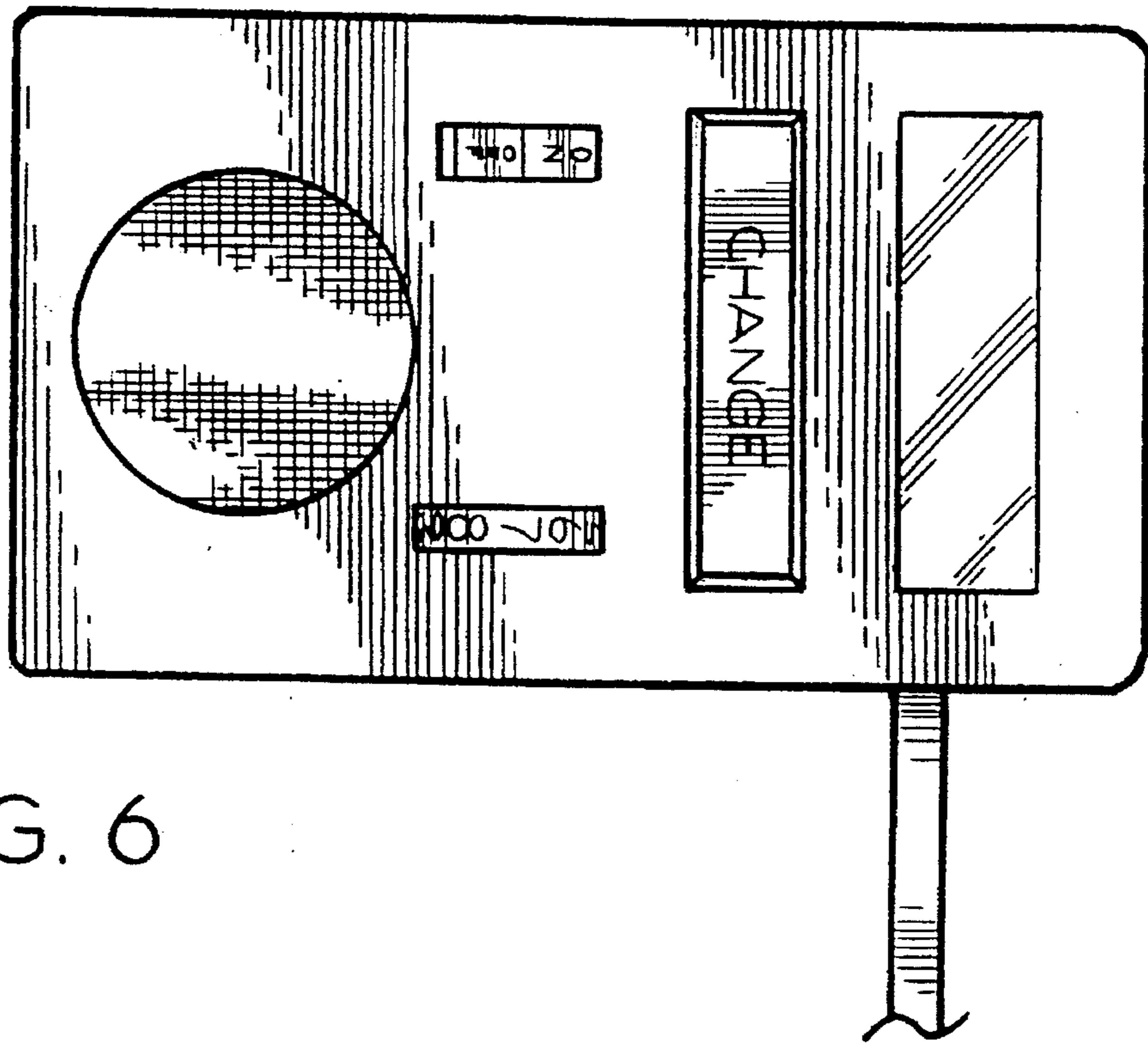


FIG. 6

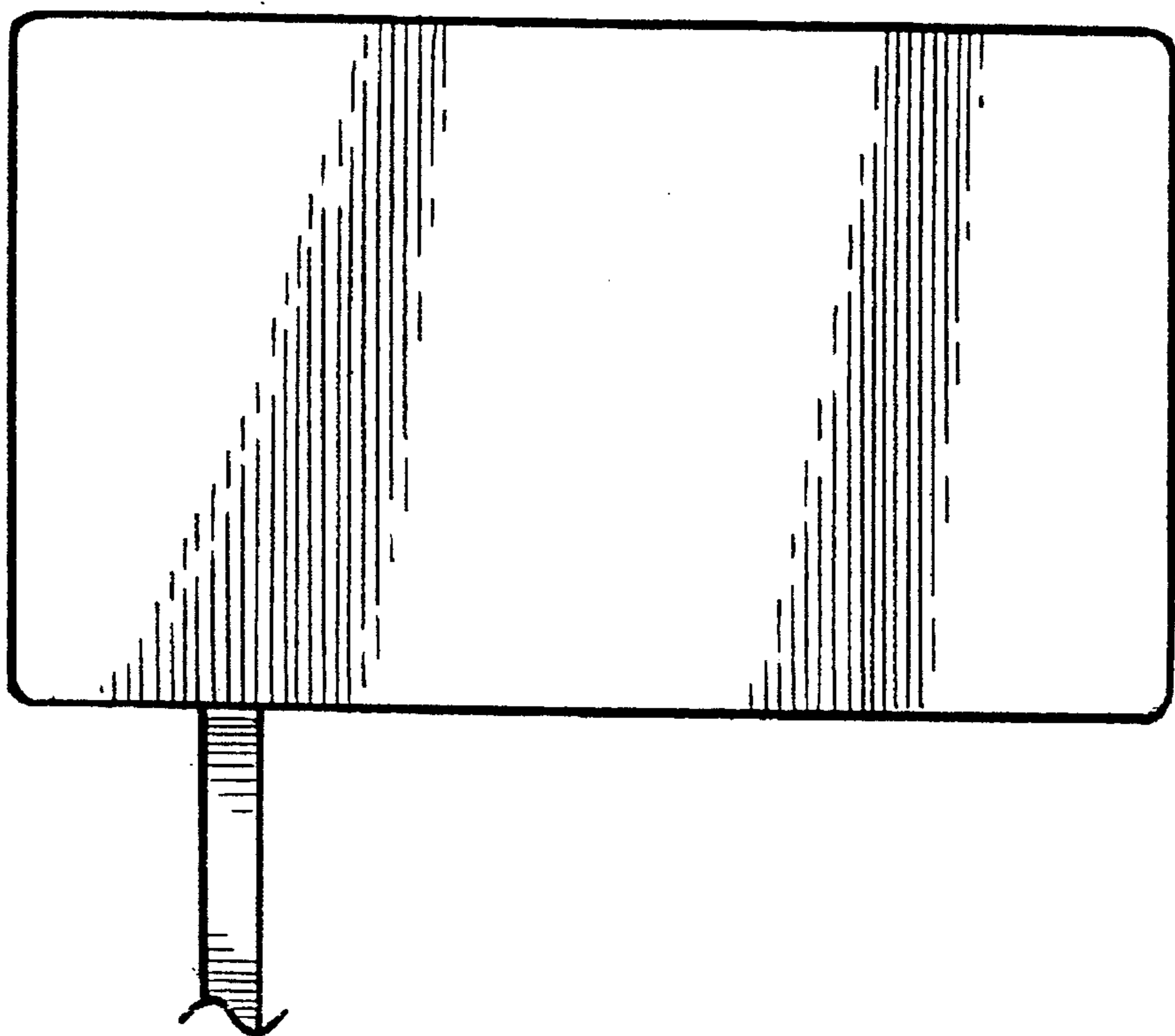


FIG. 7