



US00D371130S

# United States Patent [19]

[11] Patent Number: **Des. 371,130**

Formicola

[45] Date of Patent: **\*\*Jun. 25, 1996**

[54] **COMBINED NOTE PAD AND VOICE RECORDER**

D. 354,772	1/1995	Flickinger et al.	.....	D19/88
4,998,704	3/1991	Tarlow et al.	.....	248/206.2 X
5,025,919	6/1991	Brinker et al.	.....	248/206.2 X

[76] Inventor: **Richard Formicola**, 35 Maple Ave., Sodus, N.Y. 14551

*Primary Examiner*—Ted Shooman  
*Assistant Examiner*—Nanda Bondade  
*Attorney, Agent, or Firm*—Robert J. Bird

[\*\*] Term: **14 Years**

[57] **CLAIM**

[21] Appl. No.: **28,314**

The ornamental design for a combined note pad and voice recorder, as shown and described.

[22] Filed: **Sep. 12, 1994**

[52] U.S. Cl. .... **D14/167**; D14/168

**DESCRIPTION**

[58] **Field of Search** ..... D14/160-168, D14/188, 192-198; D19/86, 88; 206/44 R, 233, 829; 248/206.2

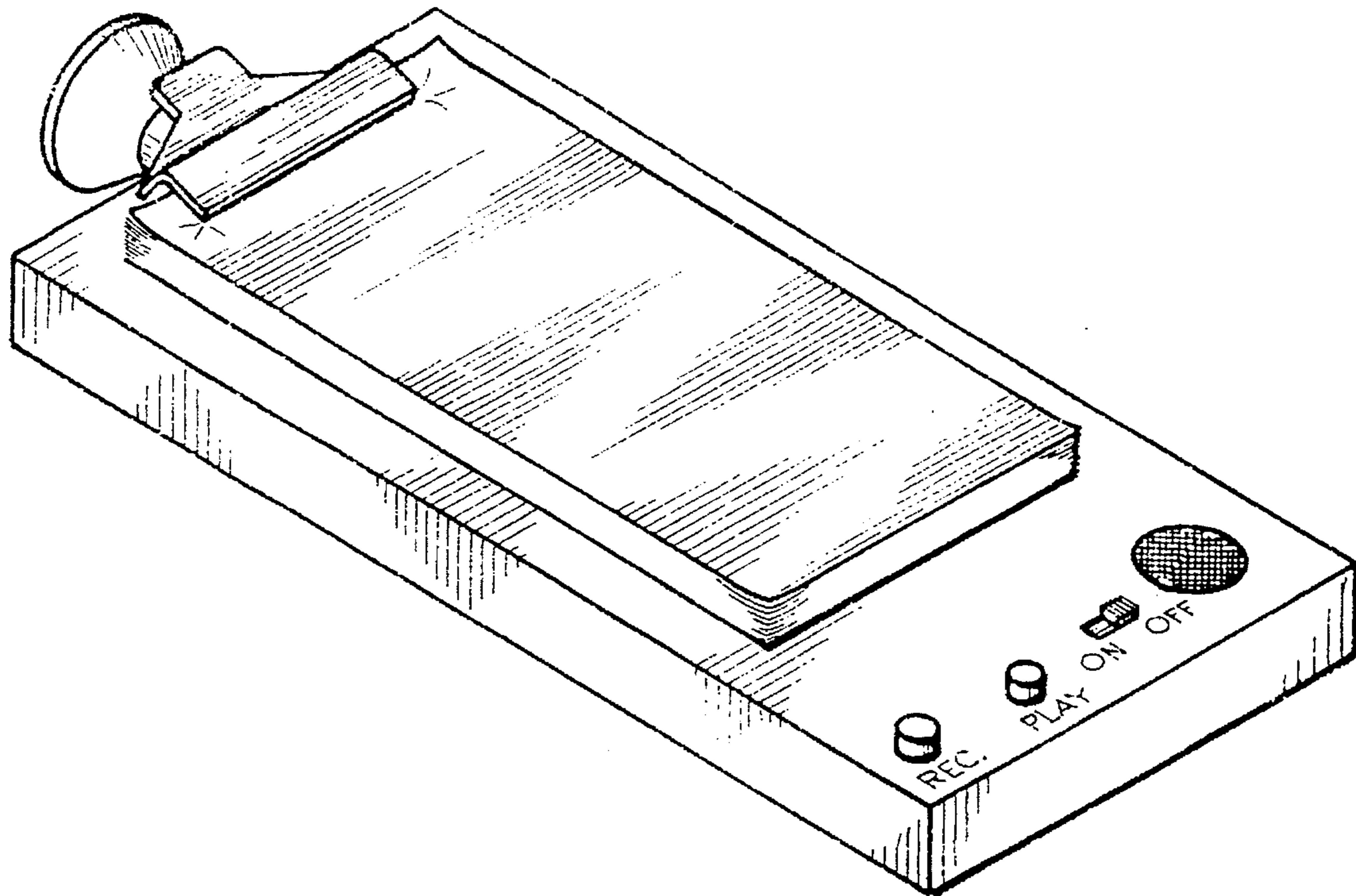
FIG. 1 is a top, front, and left side isometric view of a combined note pad and voice recorder of my design; FIG. 2 is a bottom, front, and right side isometric view of the same; and, FIG. 3 is a rear view of the same, as from the upper left of FIG. 1.

[56] **References Cited**

**U.S. PATENT DOCUMENTS**

D. 296,220	6/1988	Hung	.....	D19/88
D. 333,819	3/1993	Toney	.....	D14/168 X
D. 337,616	7/1993	Stahel et al.	.....	D19/88

**1 Claim, 1 Drawing Sheet**



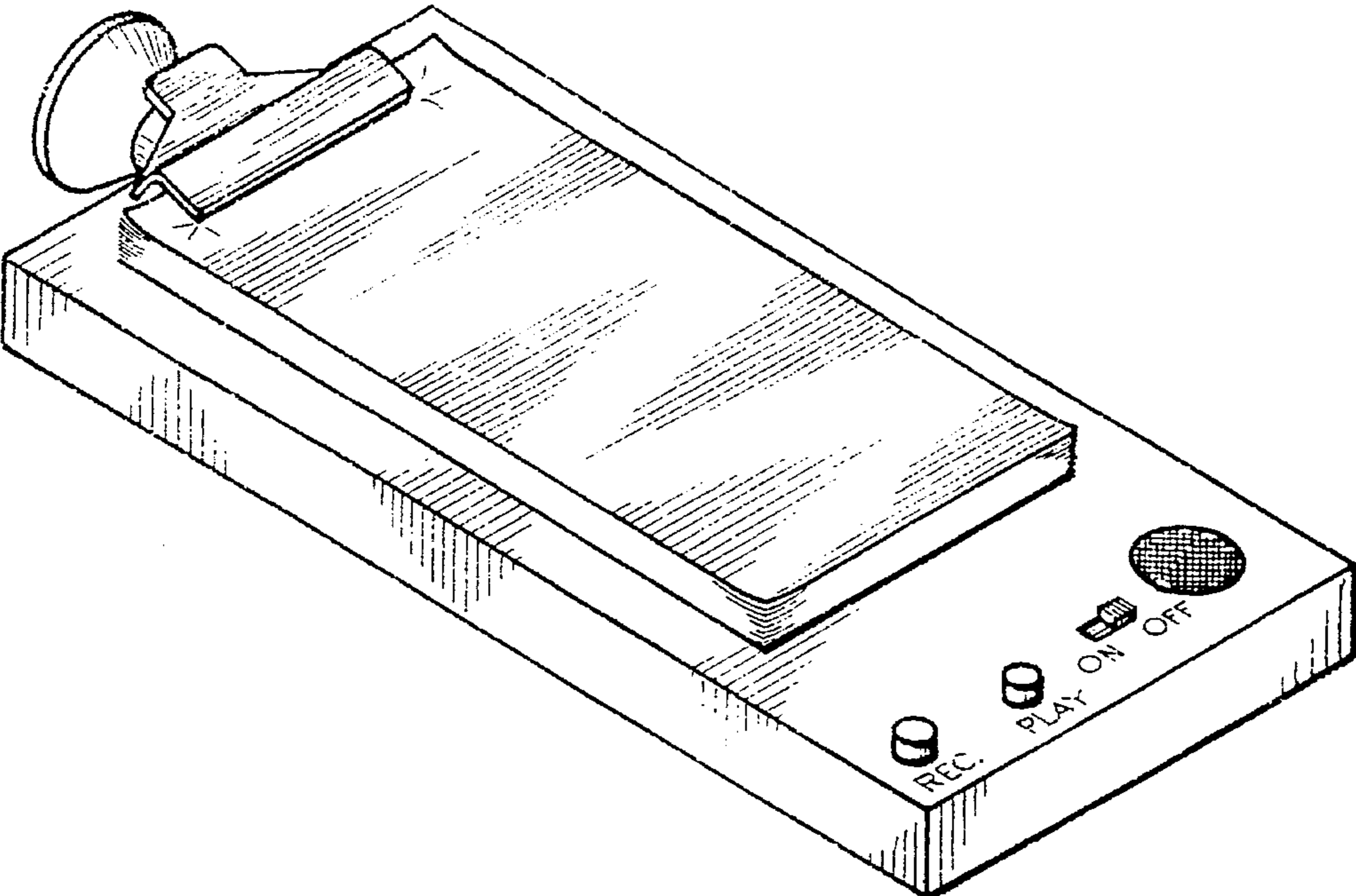


Fig. 1

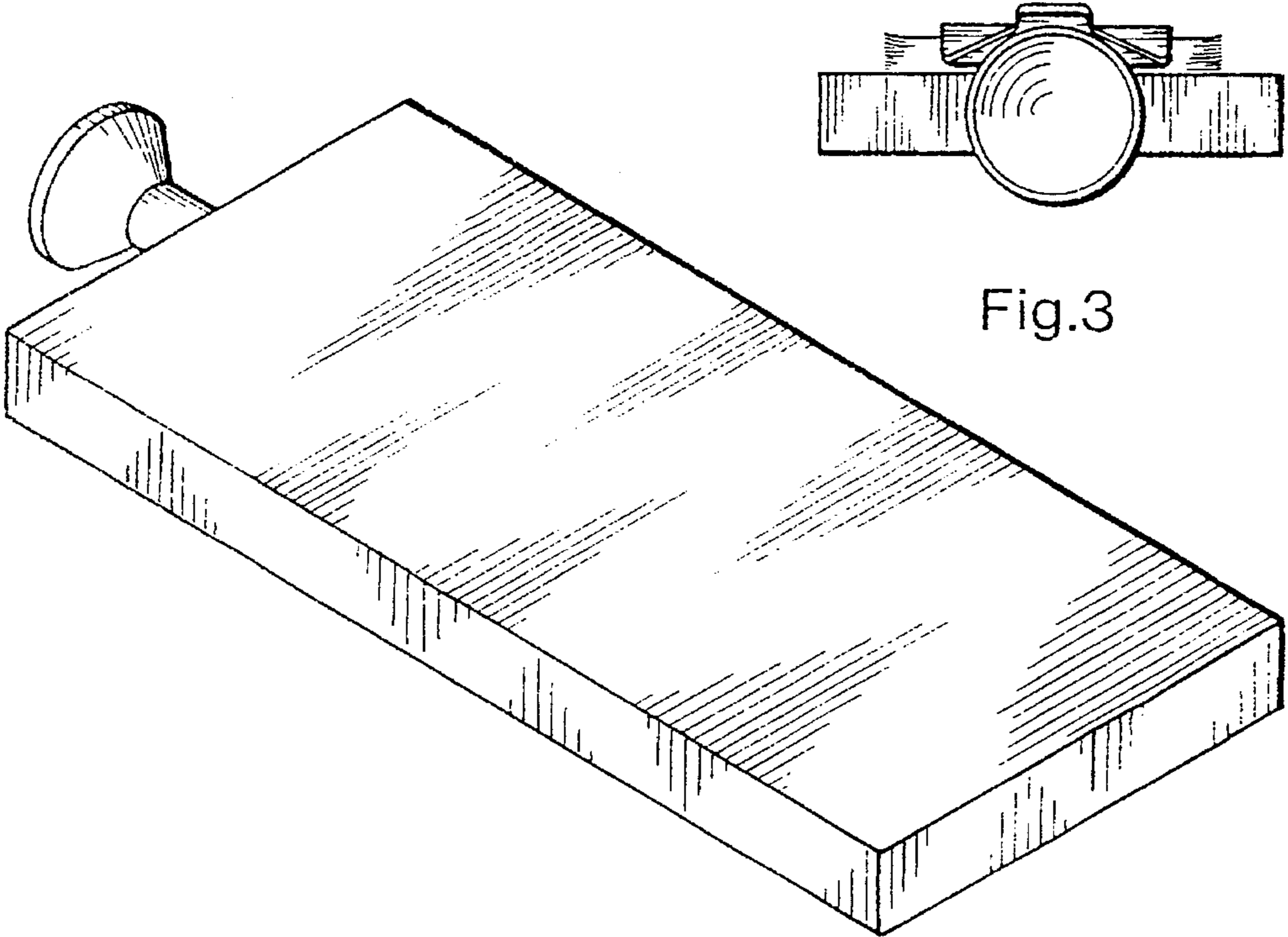


Fig.3

Fig. 2