



US00D371128S

United States Patent [19]

[11] Patent Number: **Des. 371,128**

Ferris

[45] Date of Patent: ****Jun. 25, 1996**

[54] **CELLULAR TELEPHONE**

[76] Inventor: **Leroy A. Ferris**, 1420 E. Antelope Rd.,
Douglas, Wyo. 82633-8940

[**] Term: **14 Years**

[21] Appl. No.: **40,595**

[22] Filed: **Jun. 22, 1995**

[52] U.S. Cl. **D14/146; D14/142; D14/245**

[58] Field of Search **D14/140, 142,
D14/149, 150, 146, 144, 143, 240, 245,
137, 138, 299, 151, 218; D13/162, 164,
184; 379/419, 420, 428, 440; D20/10, 41;
D10/15**

[56] **References Cited**

U.S. PATENT DOCUMENTS

D. 286,403	10/1986	Parshad et al.	D14/240
D. 289,159	4/1987	Albertson	D14/146
D. 295,171	4/1988	Wright	D24/151
D. 305,207	12/1989	Wada	D10/15
D. 315,144	3/1991	Dard et al.	D13/162

D. 320,831	10/1991	Stephens	D20/41 X
D. 351,161	10/1994	Perotka	D14/146
D. 352,964	11/1994	Schlotterback	D20/10 X
D. 356,797	3/1995	Young	D14/218 X
D. 358,153	5/2995	Jackson	D14/240 X

Primary Examiner—Jeffrey Asch
Attorney, Agent, or Firm—Harpman & Harpman

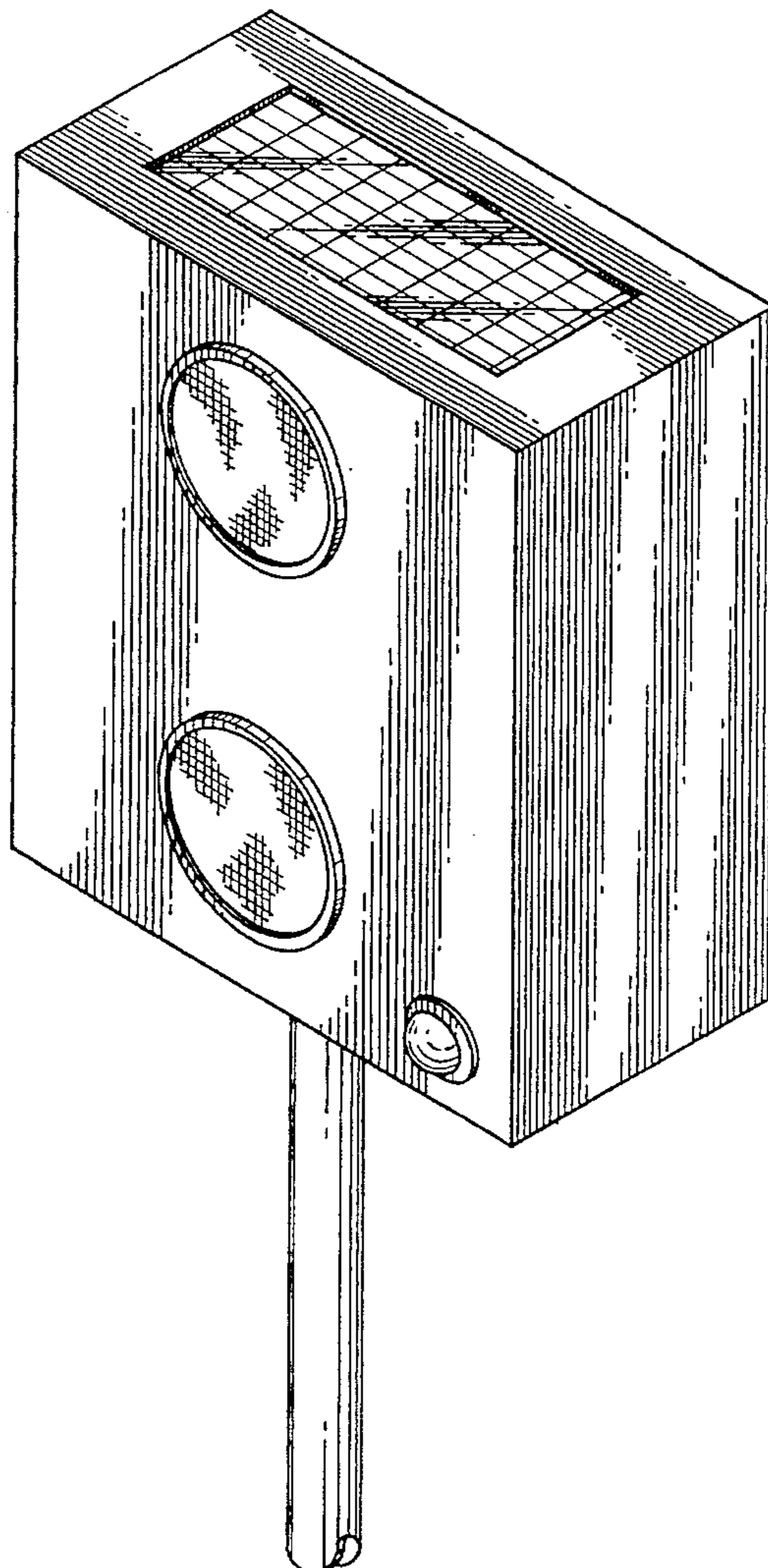
[57] **CLAIM**

The ornamental design for a cellular telephone, as shown and described.

DESCRIPTION

FIG. 1 is a front, top and side perspective view of the cellular telephone embodying the design of the present invention; FIG. 2 is a front elevational view thereof; FIG. 3 is a rear elevational view thereof; FIG. 4 is a side elevational view thereof, the side opposite being a mirror image of the side shown in FIG. 4; FIG. 5 is a top plan view thereof; and, FIG. 6 is a bottom plan view thereof.

1 Claim, 3 Drawing Sheets



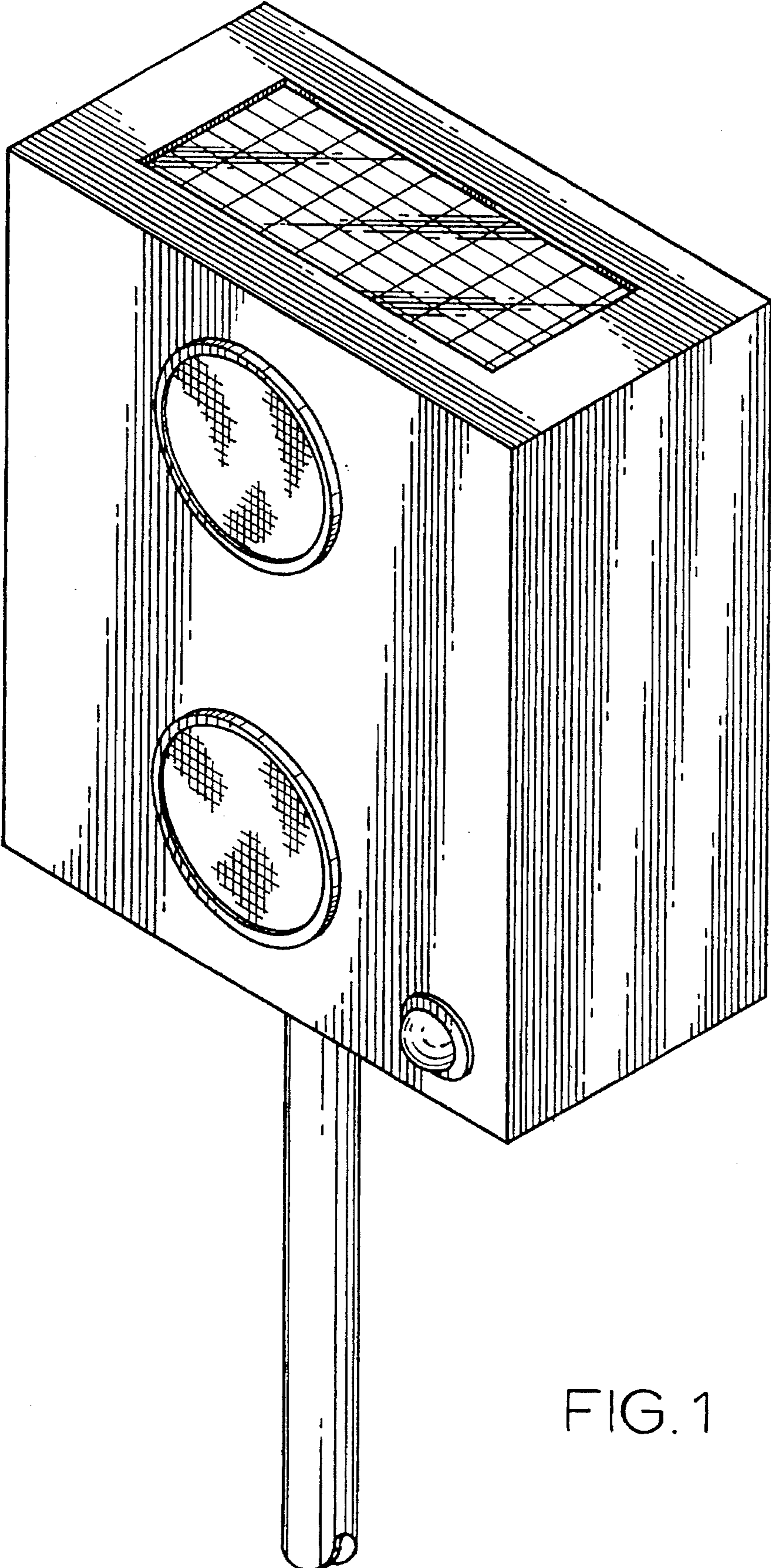


FIG. 1

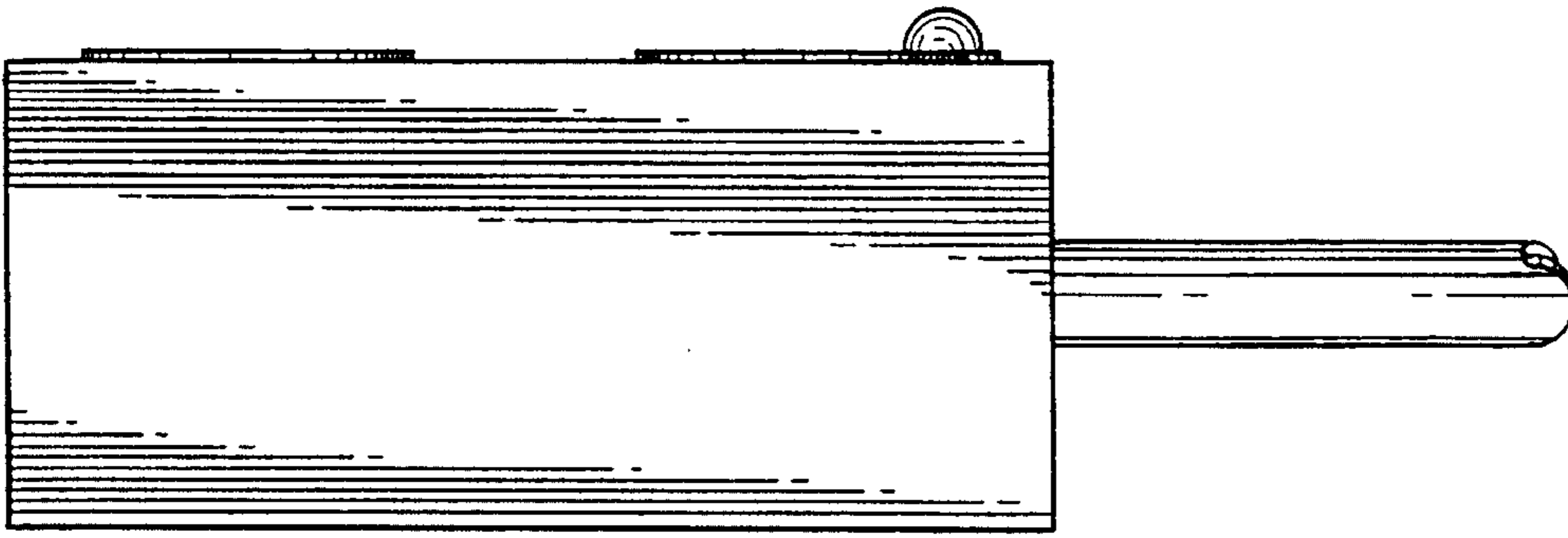


FIG. 4

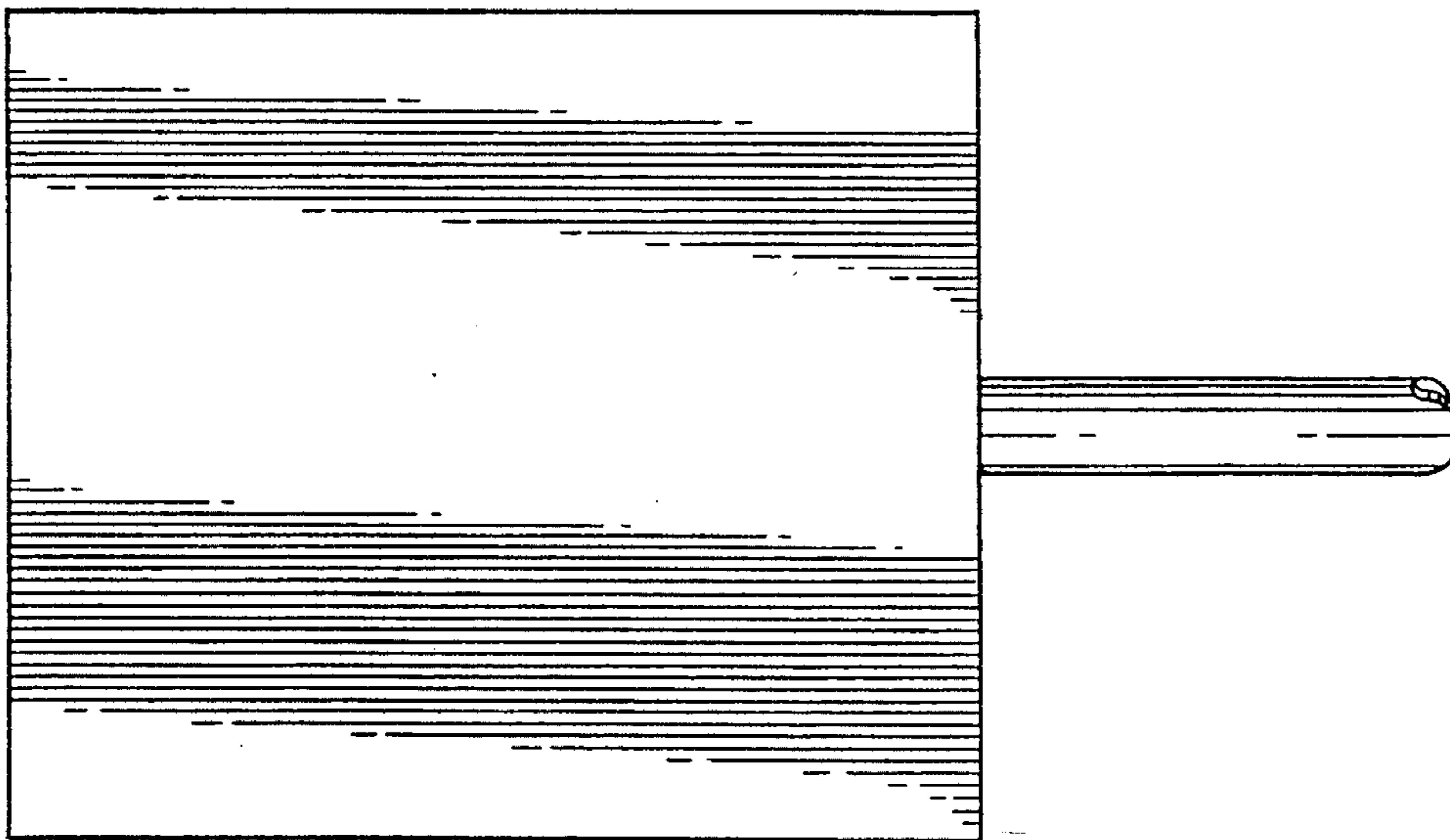


FIG. 3

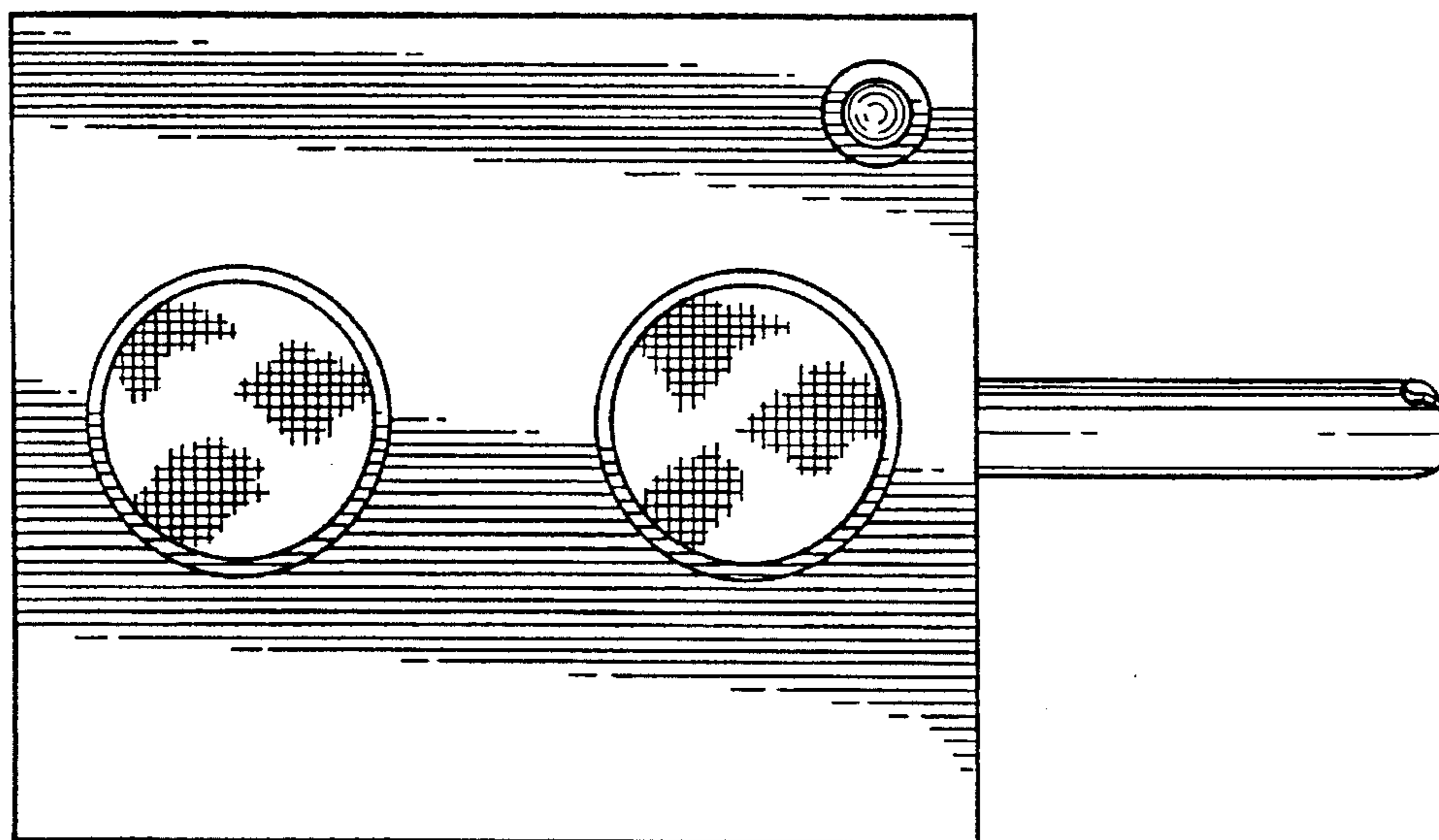


FIG. 2

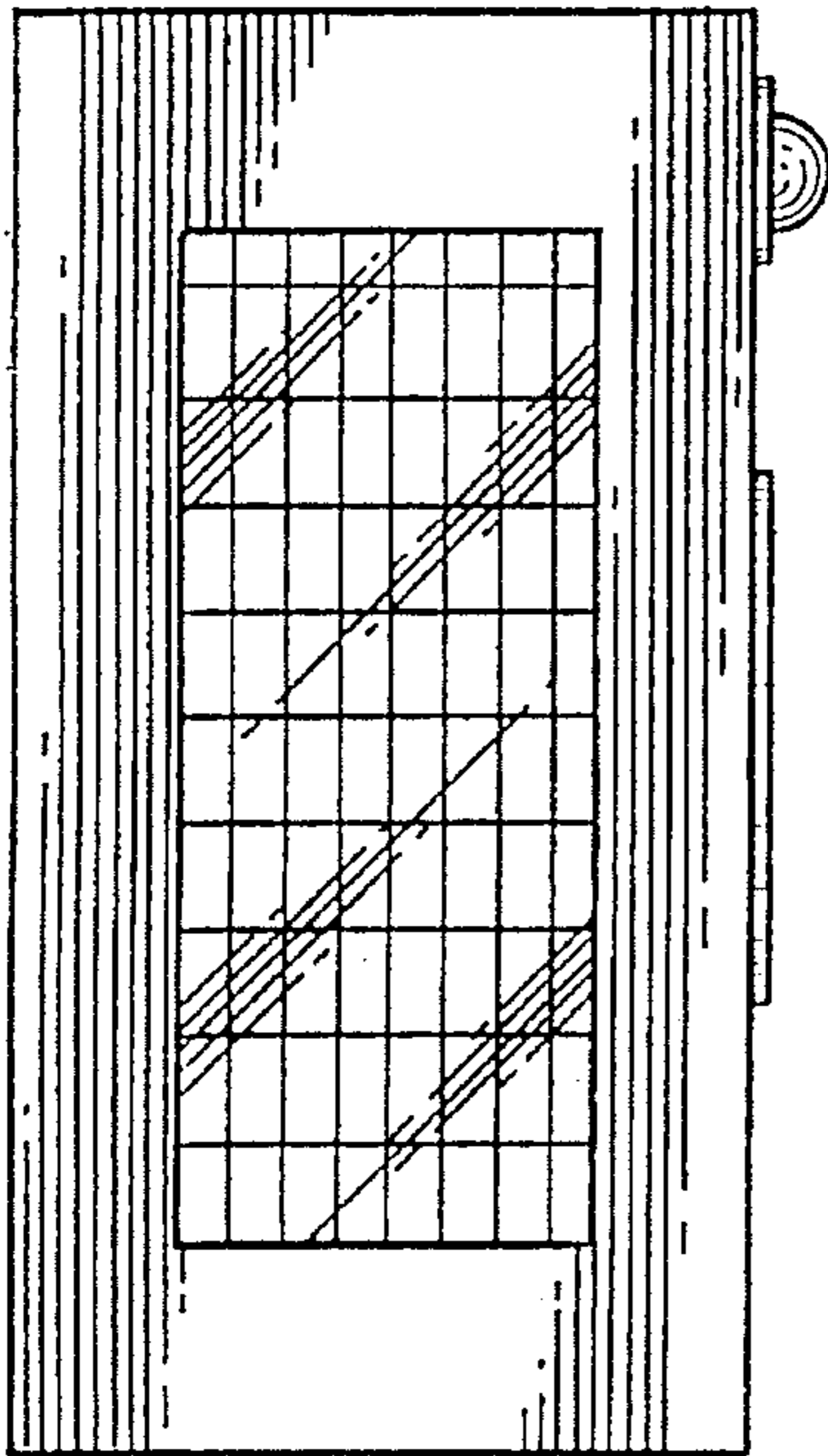


FIG. 5

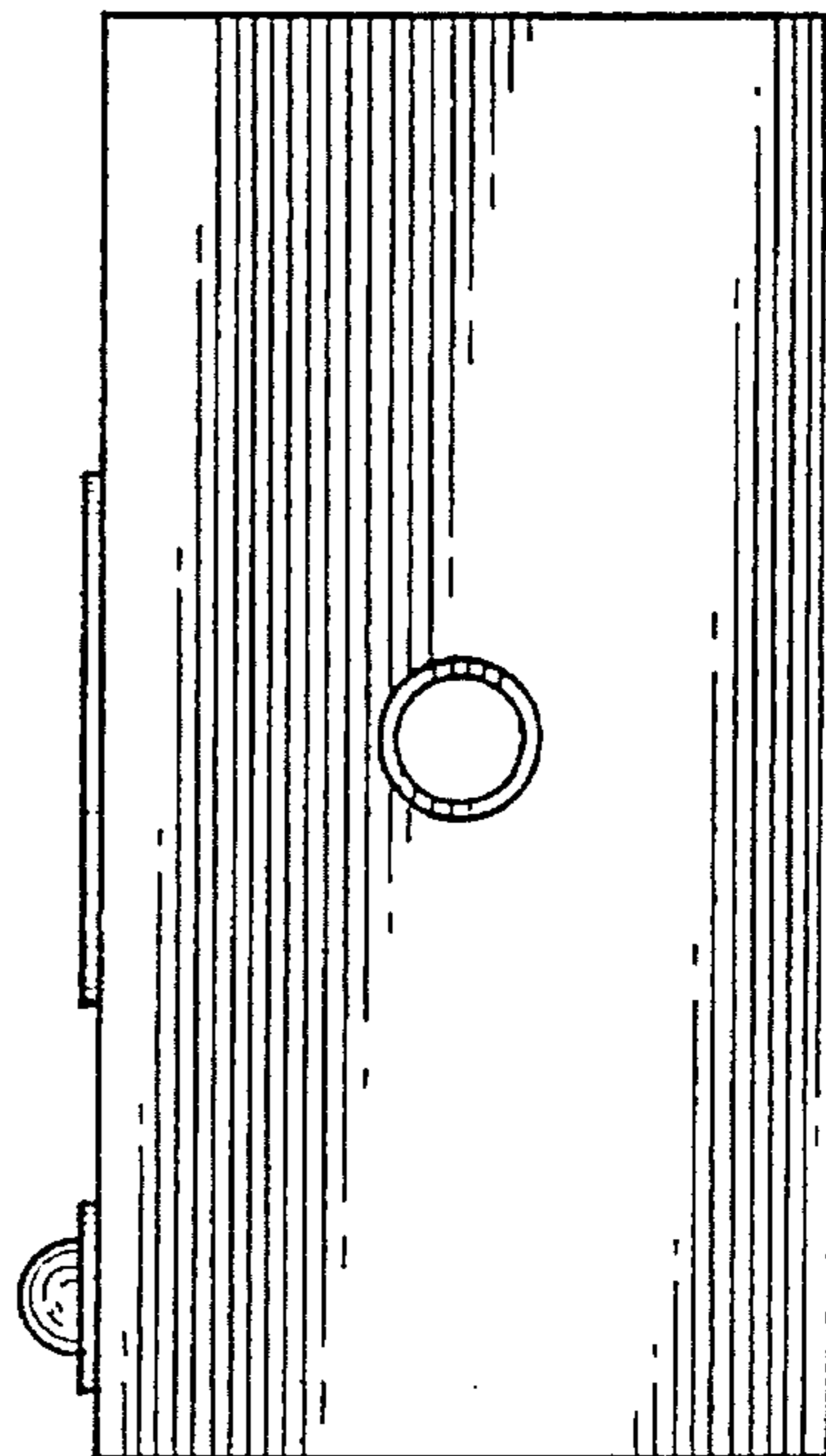


FIG. 6