



US00D371127S

United States Patent [19]

Baab

[11] Patent Number: **Des. 371,127**

[45] Date of Patent: ****Jun. 25, 1996**

[54] **SWIM FLIPPER PHONE**

[76] Inventor: **Denise L. Baab**, 301 Willowpointe Dr.,
St. Charles, Mo. 63304

[**] Term: **14 Years**

[21] Appl. No.: **35,125**

[22] Filed: **Feb. 21, 1995**

[52] U.S. Cl. **D14/143; D14/144; D21/111**

[58] Field of Search **D21/111, 239;**
D14/140, 142, 143, 144, 147, 148, 248,
151, 149; 379/434-436

[56] **References Cited**

U.S. PATENT DOCUMENTS

D. 302,693	8/1989	Le Bleu	D14/143
D. 303,261	9/1989	Gobindram	D14/143
D. 305,653	1/1990	Ferdi et al.	D14/143
D. 335,668	5/1993	Pasinski	D14/143

D. 350,801	9/1994	Dagnino	D21/239
D. 359,284	6/1995	Hung	D14/151
5,083,954	1/1992	Jacobs	D21/239 X

Primary Examiner—Jeffrey Asch
Attorney, Agent, or Firm—Grace J. Fishel

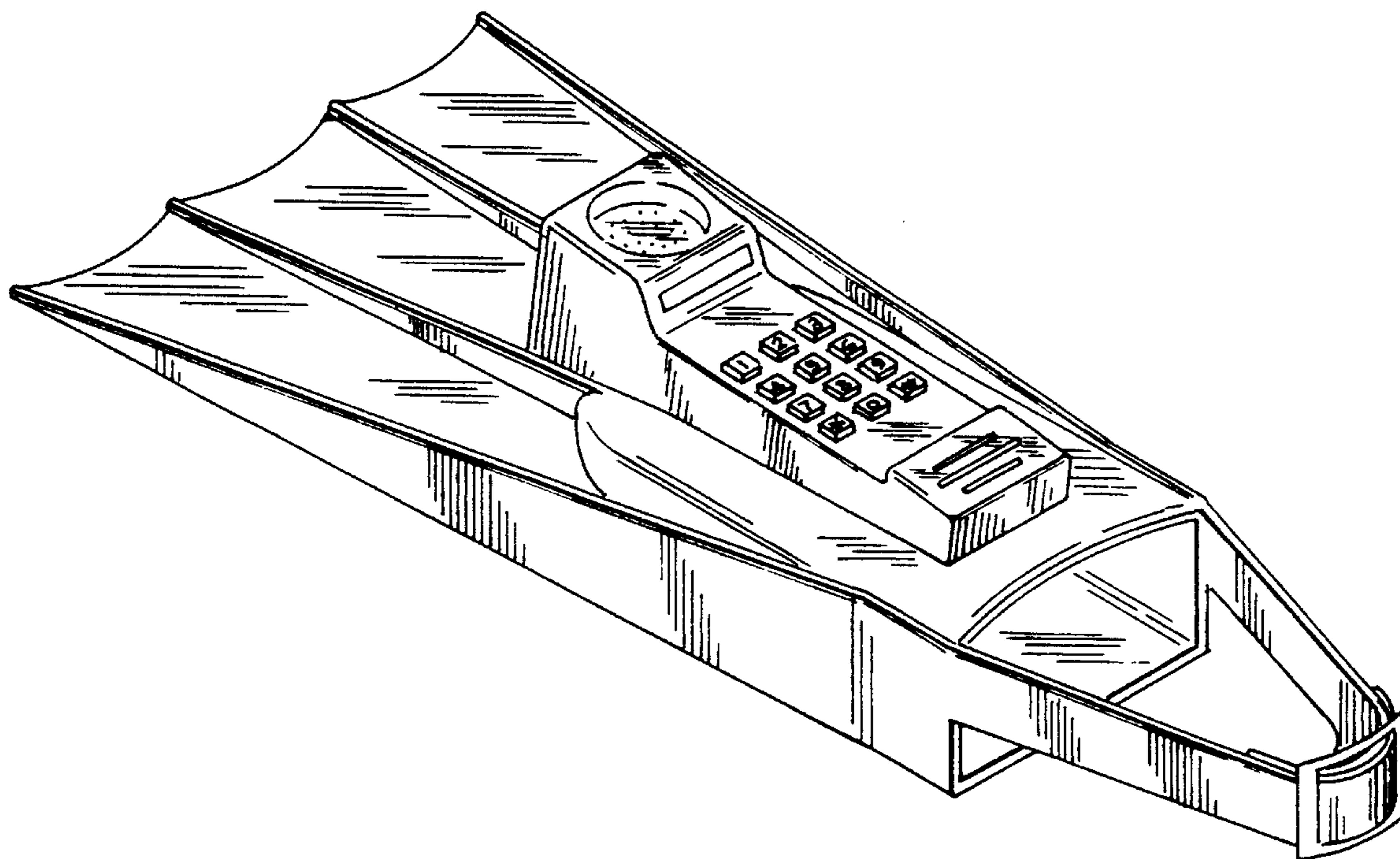
[57] **CLAIM**

The ornamental design for a swim flipper phone, as shown.

DESCRIPTION

FIG. 1 is a perspective view of a swim flipper phone showing my new design;
FIG. 2 is a top view thereof;
FIG. 3 is a left side view thereof;
FIG. 4 is a bottom view thereof;
FIG. 5 is a right side view thereof;
FIG. 6 is a front view thereof; and,
FIG. 7 is a rear view thereof.

1 Claim, 2 Drawing Sheets



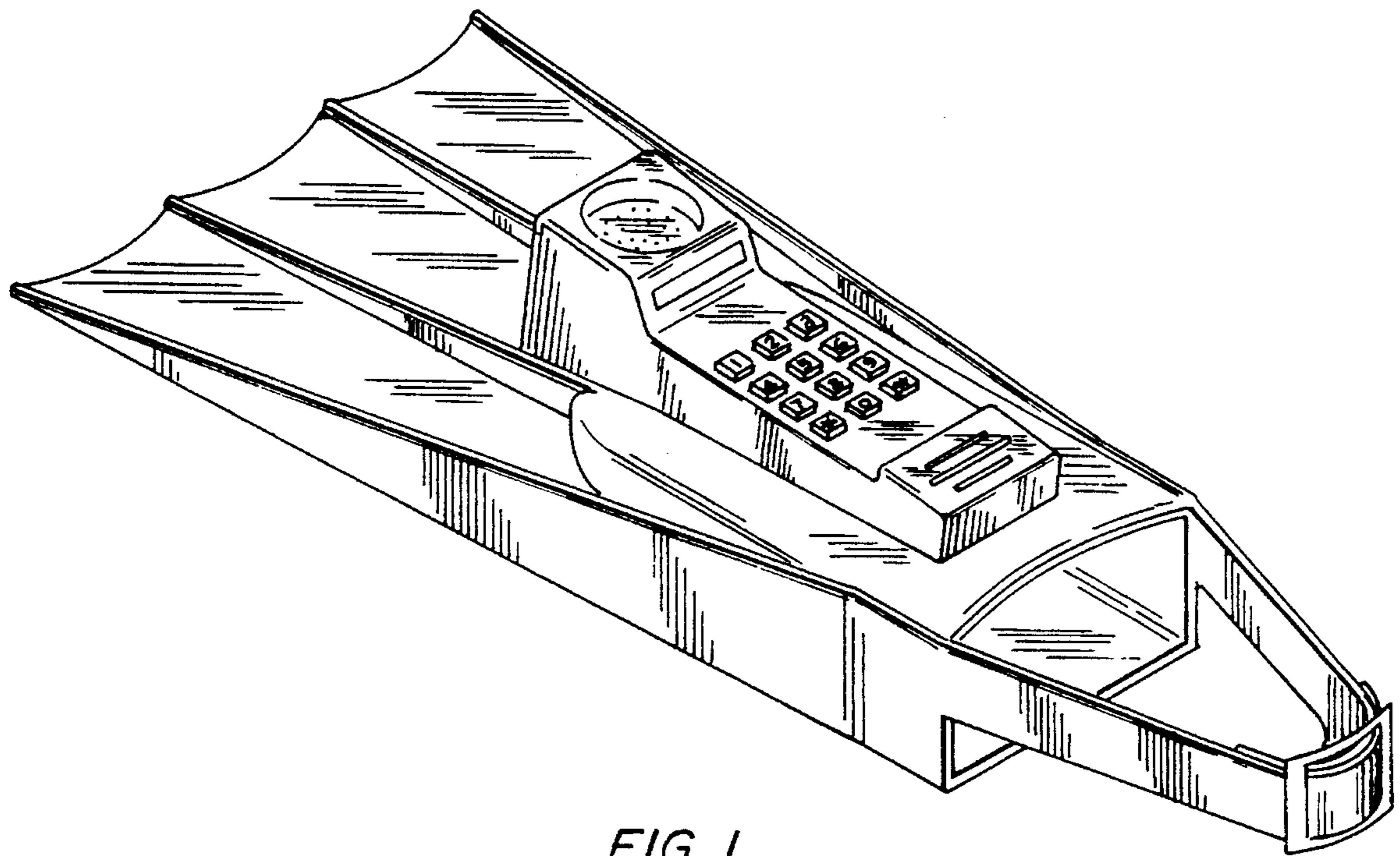


FIG. 1

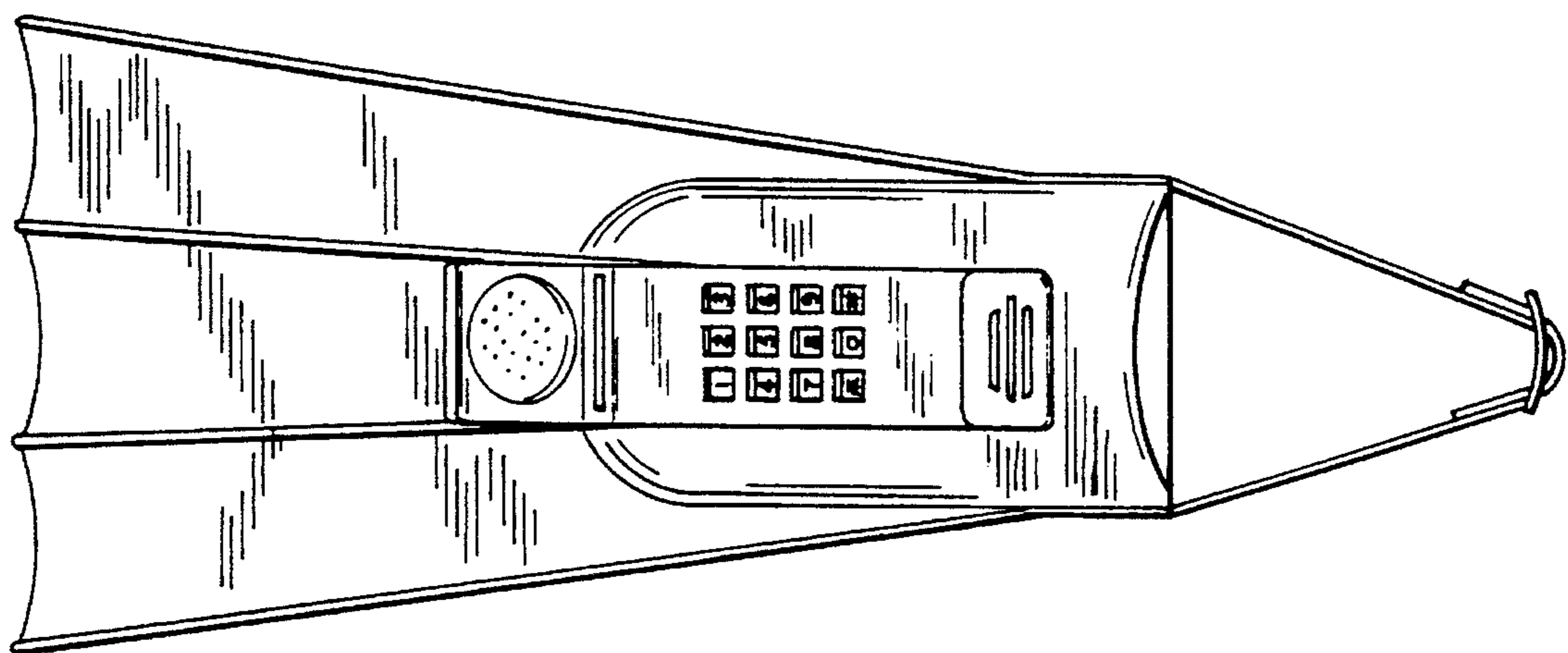


FIG. 2

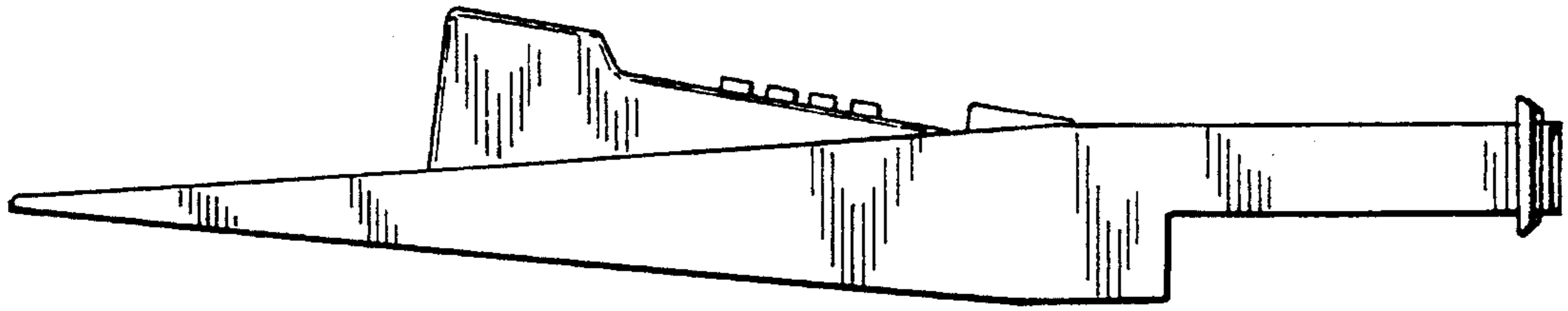


FIG. 3

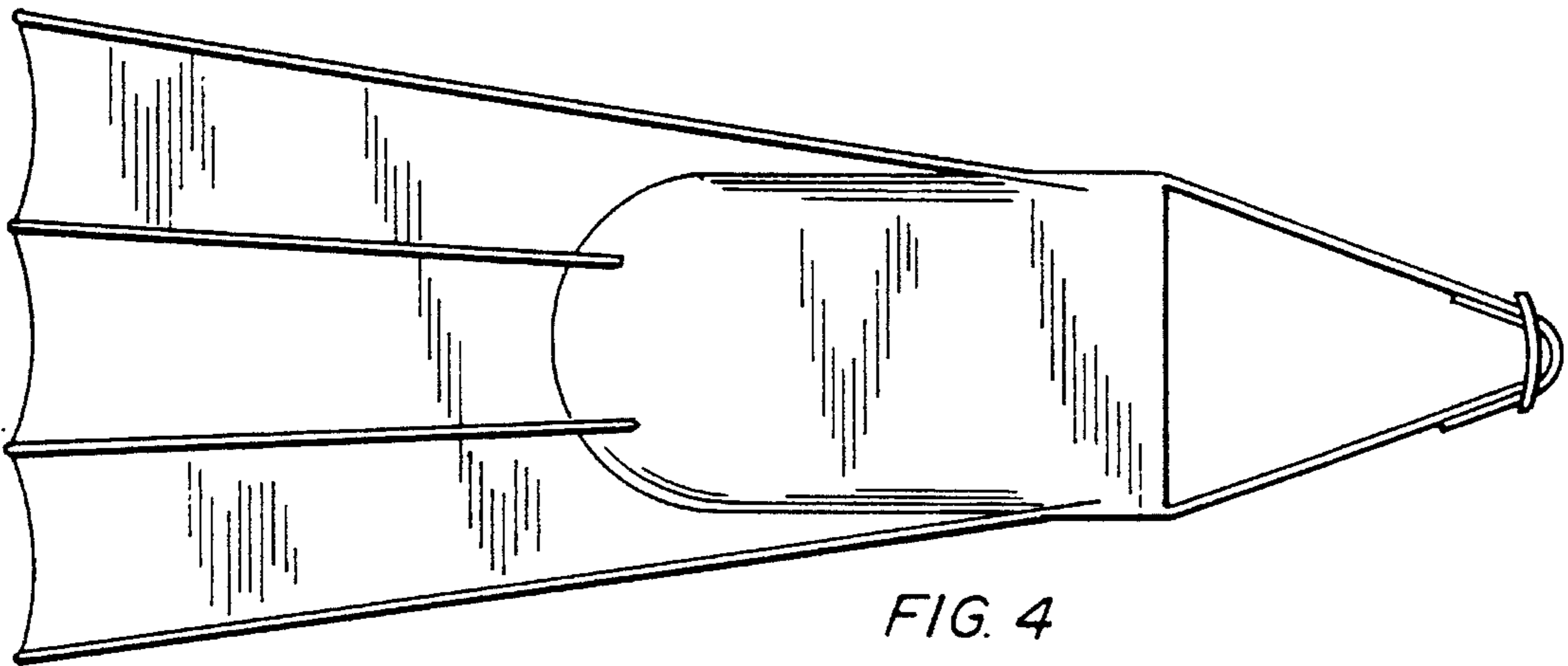


FIG. 4

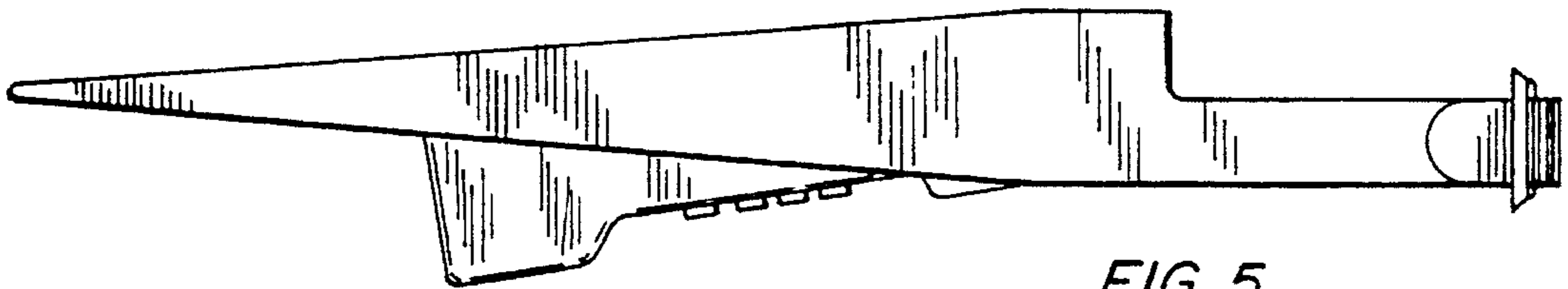


FIG. 5

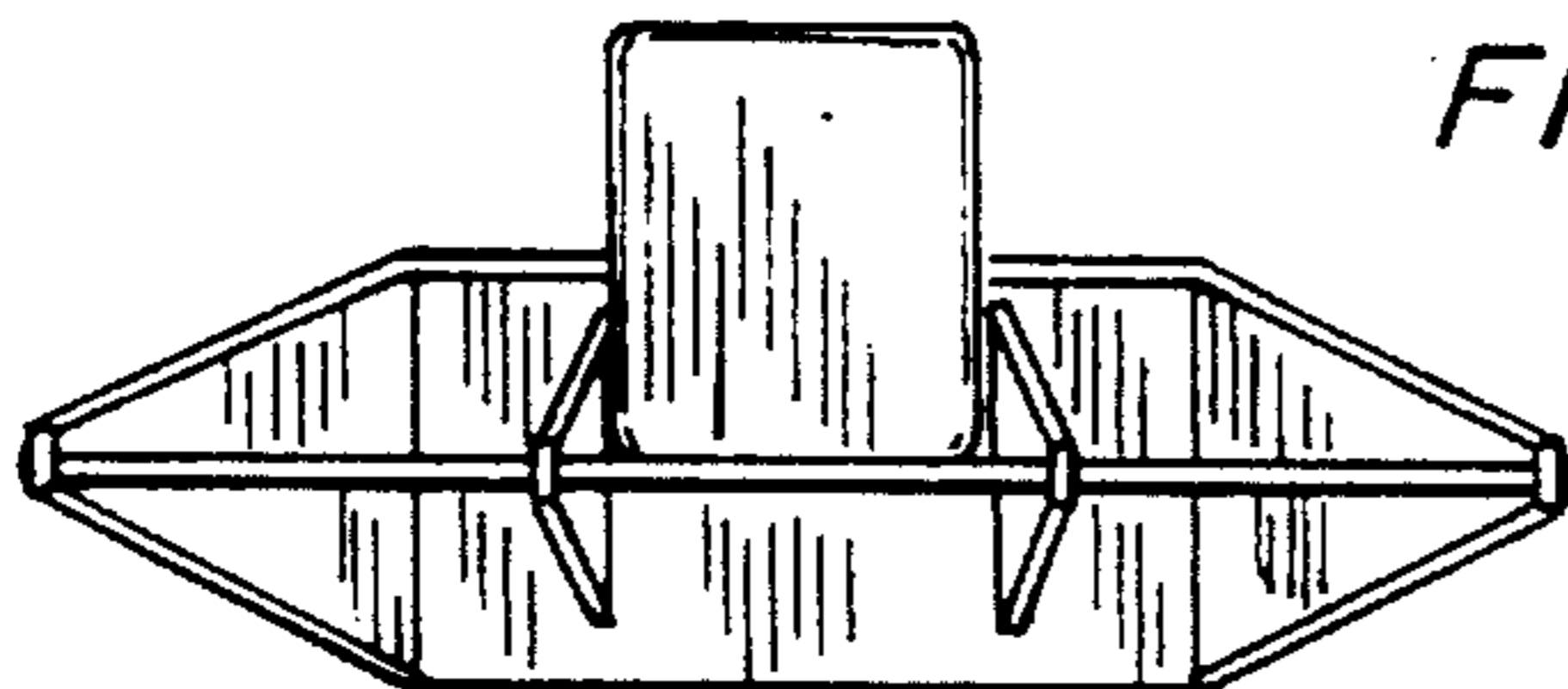


FIG. 6

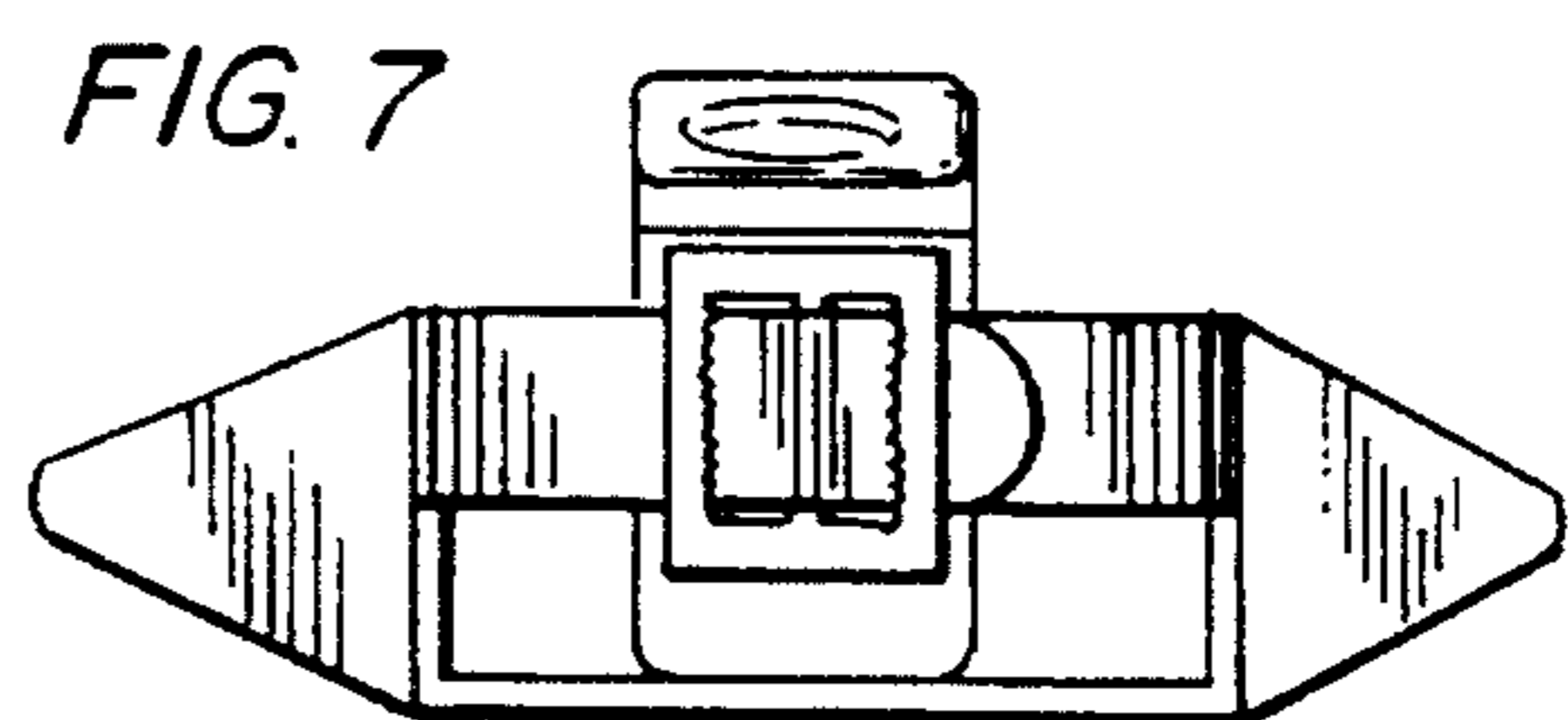


FIG. 7