



US00D371124S

United States Patent [19] Yamaguchi

[11] **Patent Number: Des. 371,124**

[45] **Date of Patent: **Jun. 25, 1996**

[54] **FACSIMILE TRANSCEIVER**

5,337,165 8/1994 Riouset et al. 358/401 X

[75] Inventor: **Mahina Yamaguchi**, Yotsukaidou,
Japan

[73] Assignee: **Kabushiki Kaisha TEC**, Japan

[**] Term: **14 Years**

[21] Appl. No.: **43,515**

[22] Filed: **Sep. 6, 1995**

[30] Foreign Application Priority Data

Mar. 7, 1995 [JP] Japan 06002/95

[52] U.S. Cl. **D14/118**

[58] Field of Search D14/118, 116,
D14/124, 299; D18/36, 37; 332/400, 401

[56] References Cited

U.S. PATENT DOCUMENTS

D. 313,992	1/1991	Suge	D14/118
D. 339,119	9/1993	Nishimura et al.	D14/118
D. 355,906	2/1995	Yoshihara et al.	D14/118
D. 359,484	6/1995	Yonekawa	D14/118
D. 363,278	10/1995	Kakshiwabara et al.	D14/118
5,172,243	12/1992	Hayashi et al.	358/400

OTHER PUBLICATIONS

Panasonic Office Automation, 6-1994 Front Page.
Soft Warehouse, The Computer Store 1989-90 CAT, p. 34.

Primary Examiner—Prabhakar G. Deshmukh
Attorney, Agent, or Firm—Bacon & Thomas

[57] CLAIM

The ornamental design for a facsimile transceiver, as shown and described.

DESCRIPTION

FIG. 1 is a front elevational view of a facsimile transceiver, showing my new design;
FIG. 2 is a top plan view thereof;
FIG. 3 is a rear elevational view thereof;
FIG. 4 is a bottom plan view thereof;
FIG. 5 is a right side elevational view thereof;
FIG. 6 is a left side elevational view thereof;
FIG. 7 is a front elevational view for reference thereof with the cover in a close position; and,
FIG. 8 is a right side perspective view for reference thereof with the the cover in a close position.

1 Claim, 4 Drawing Sheets

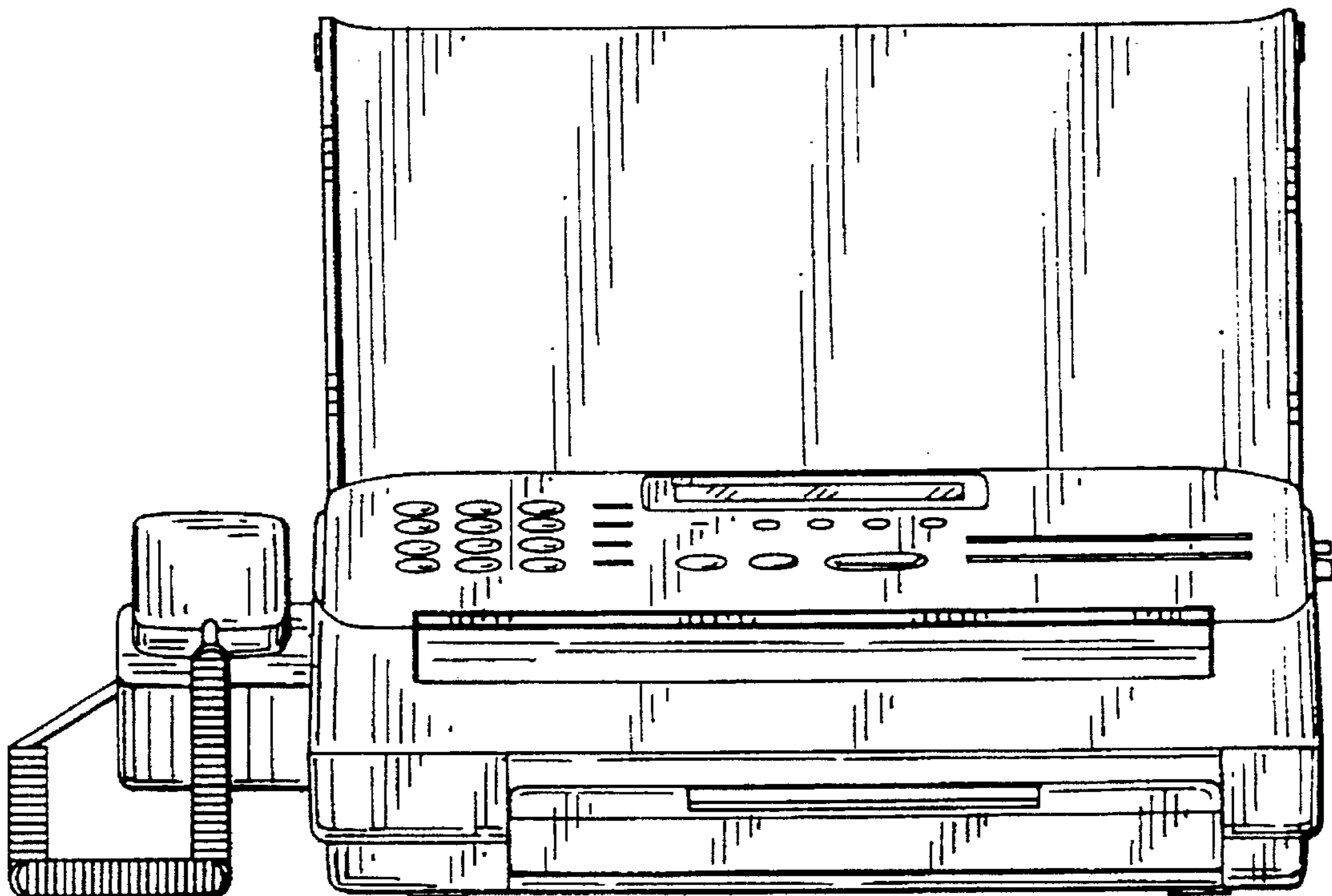


FIG. 1

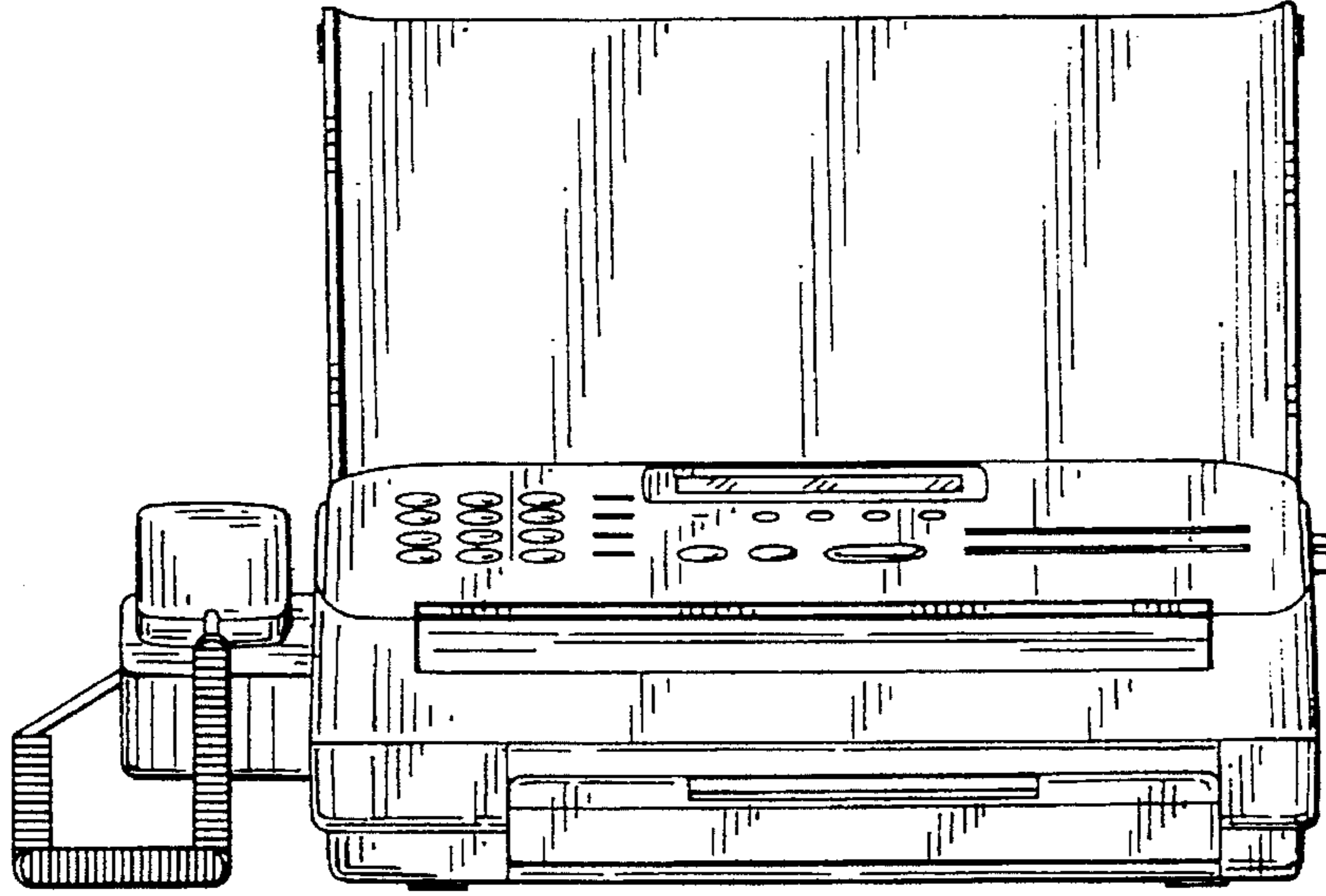


FIG. 2

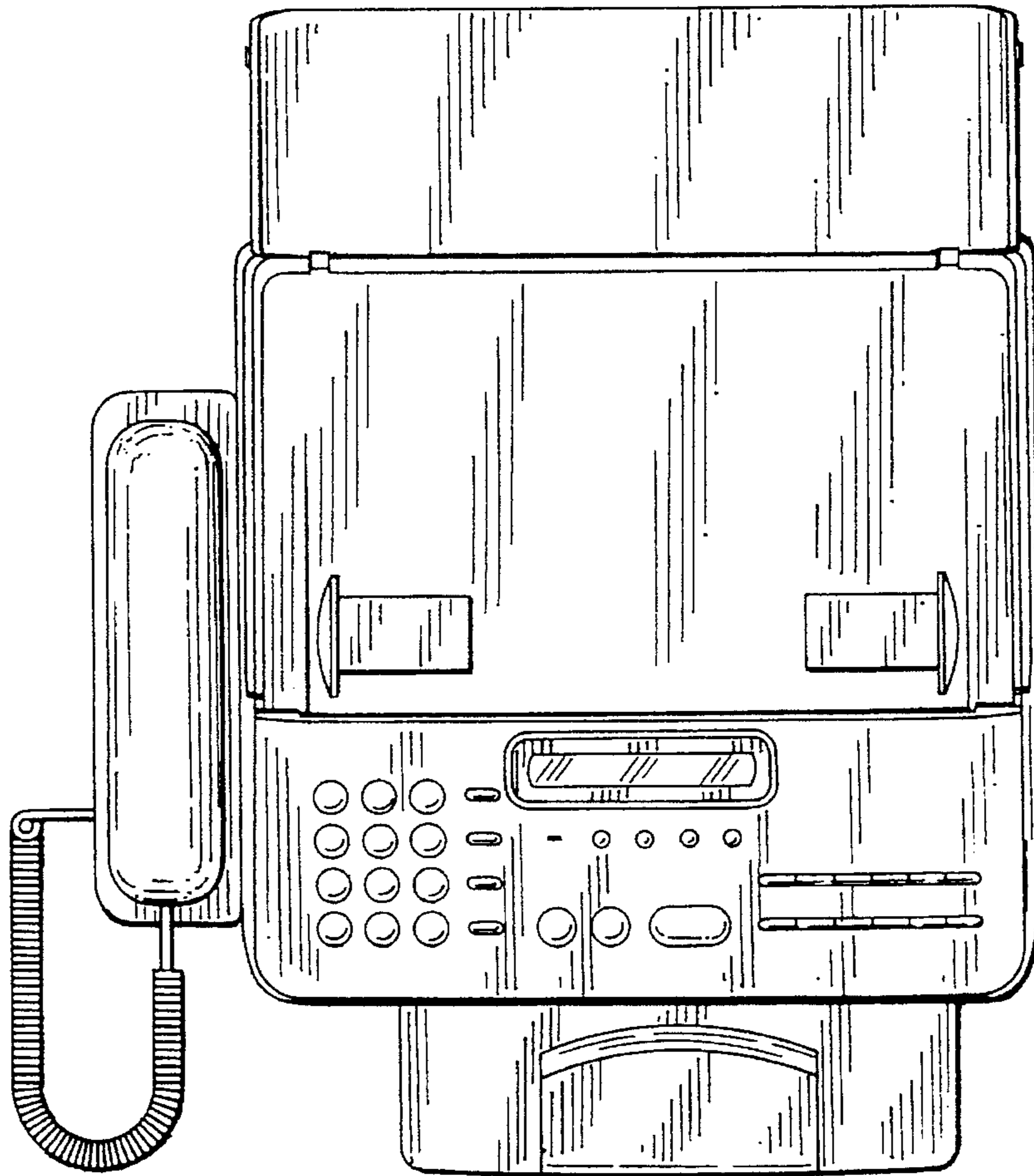


FIG. 3

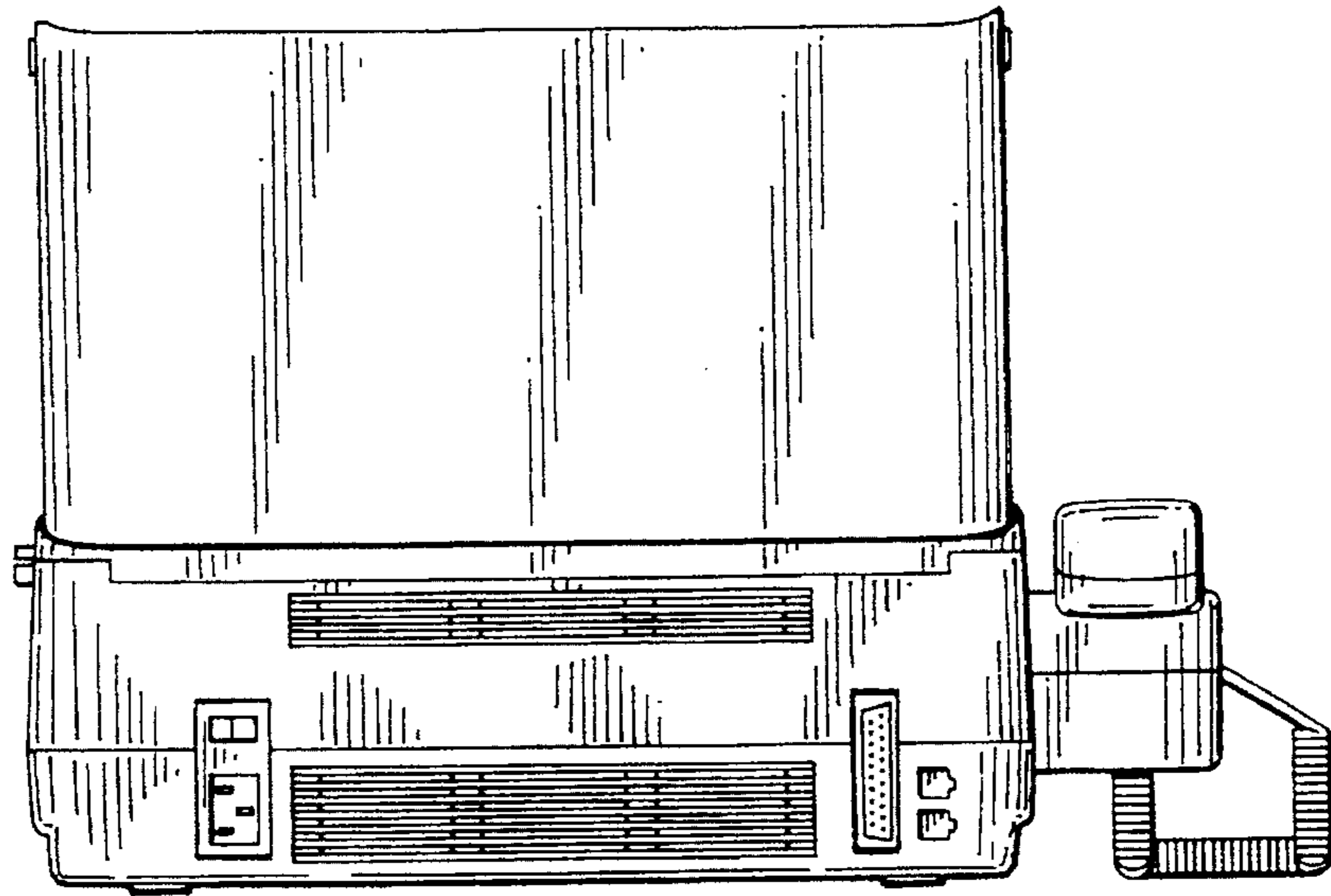


FIG. 4

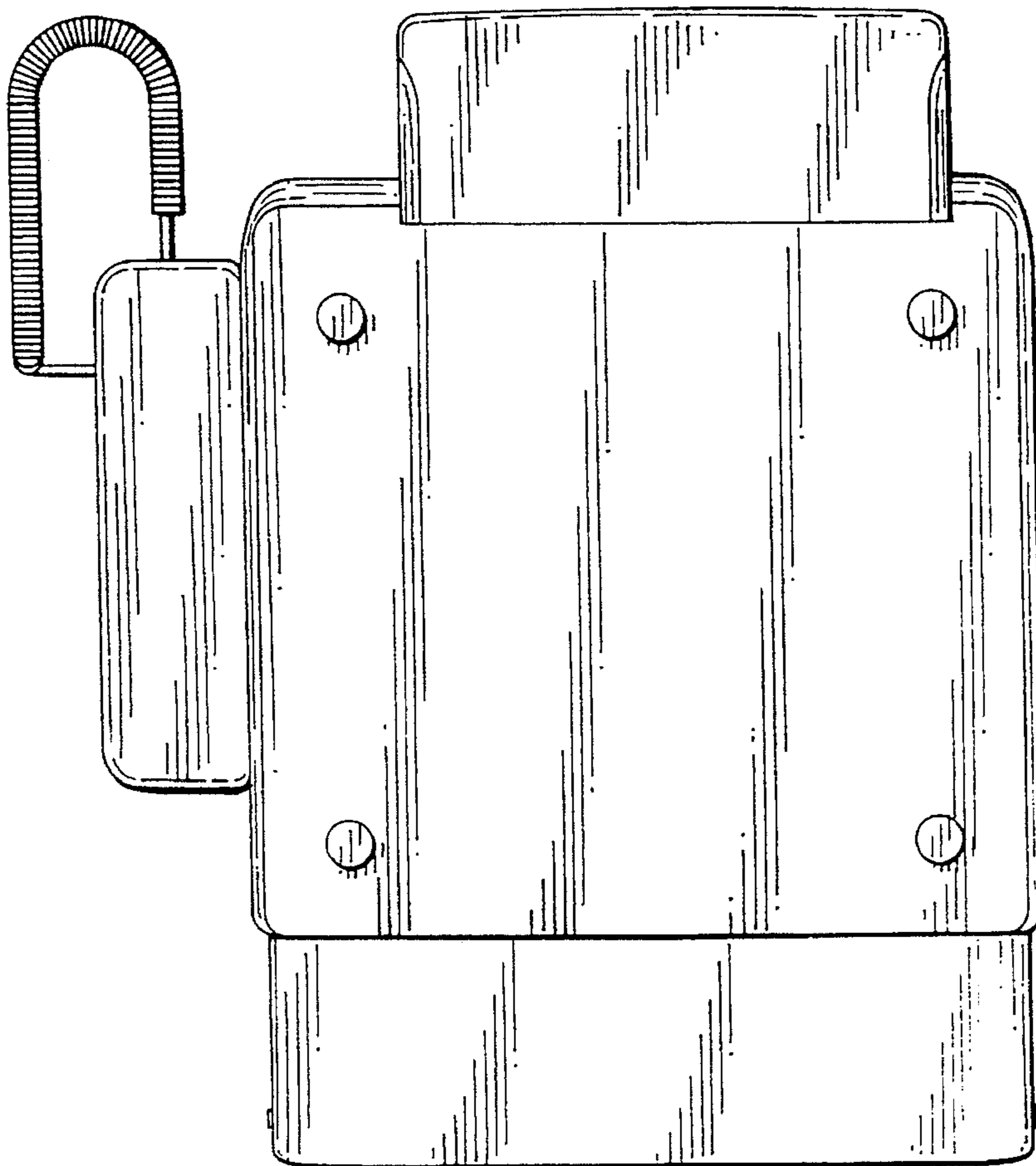


FIG. 5

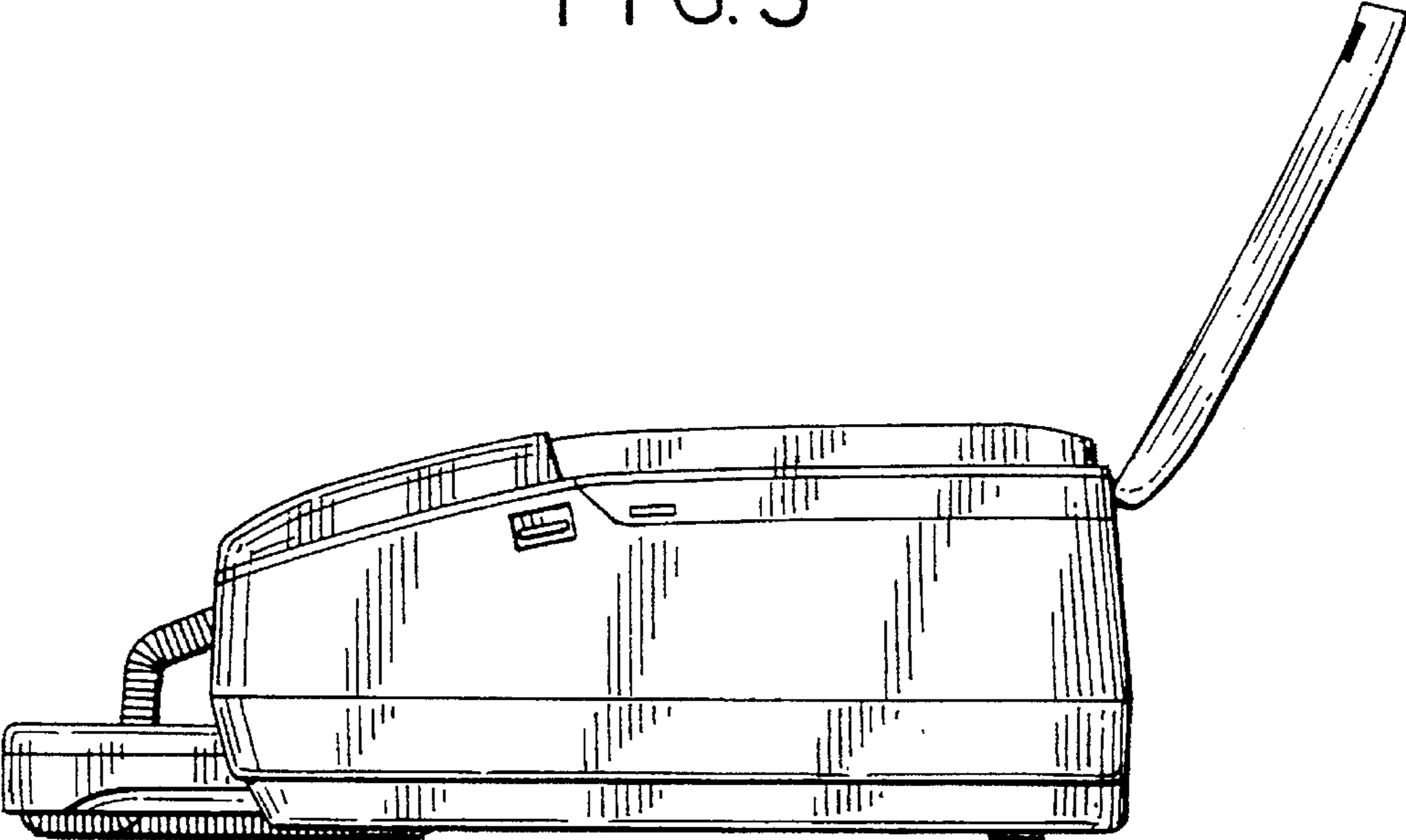


FIG. 6

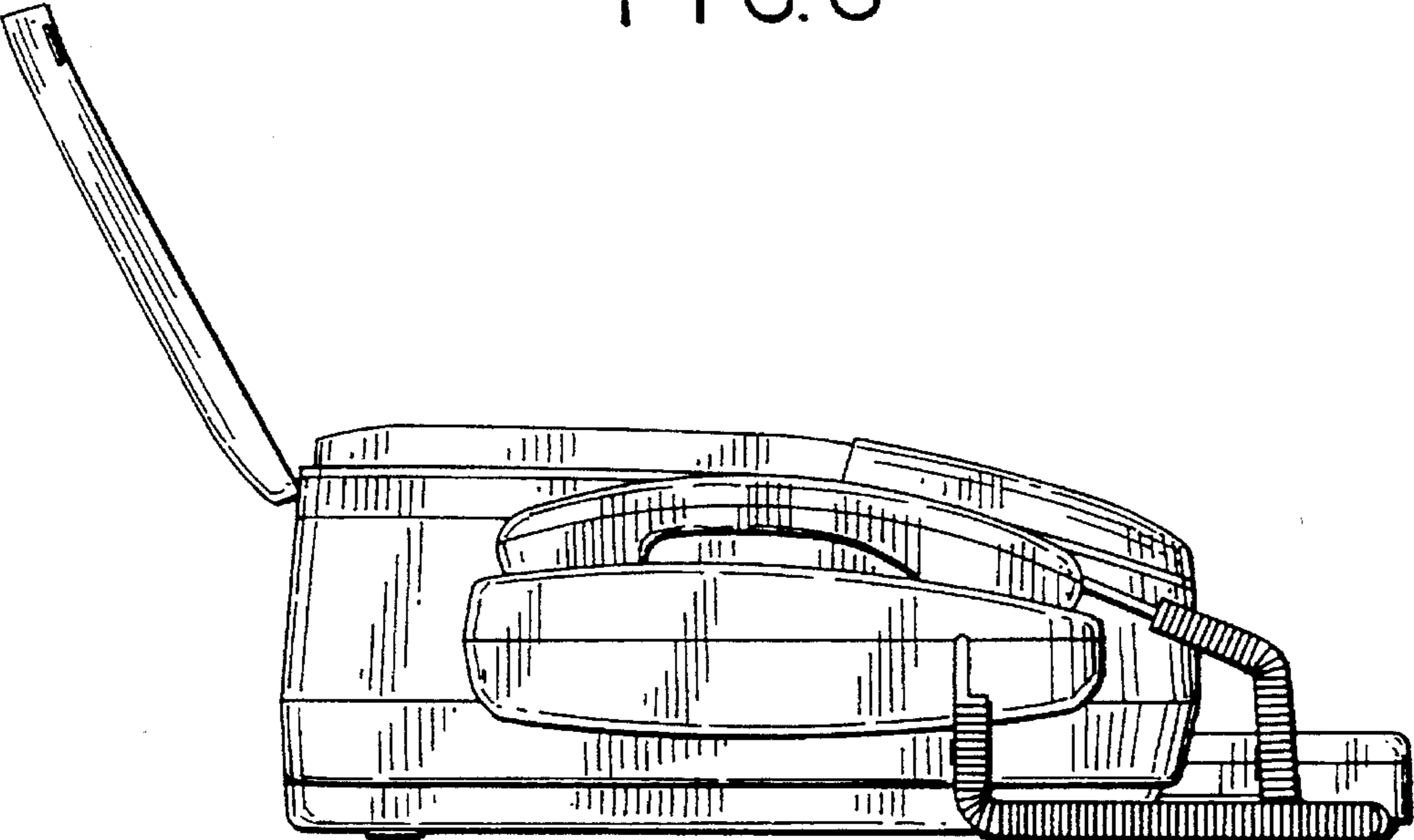


FIG. 7

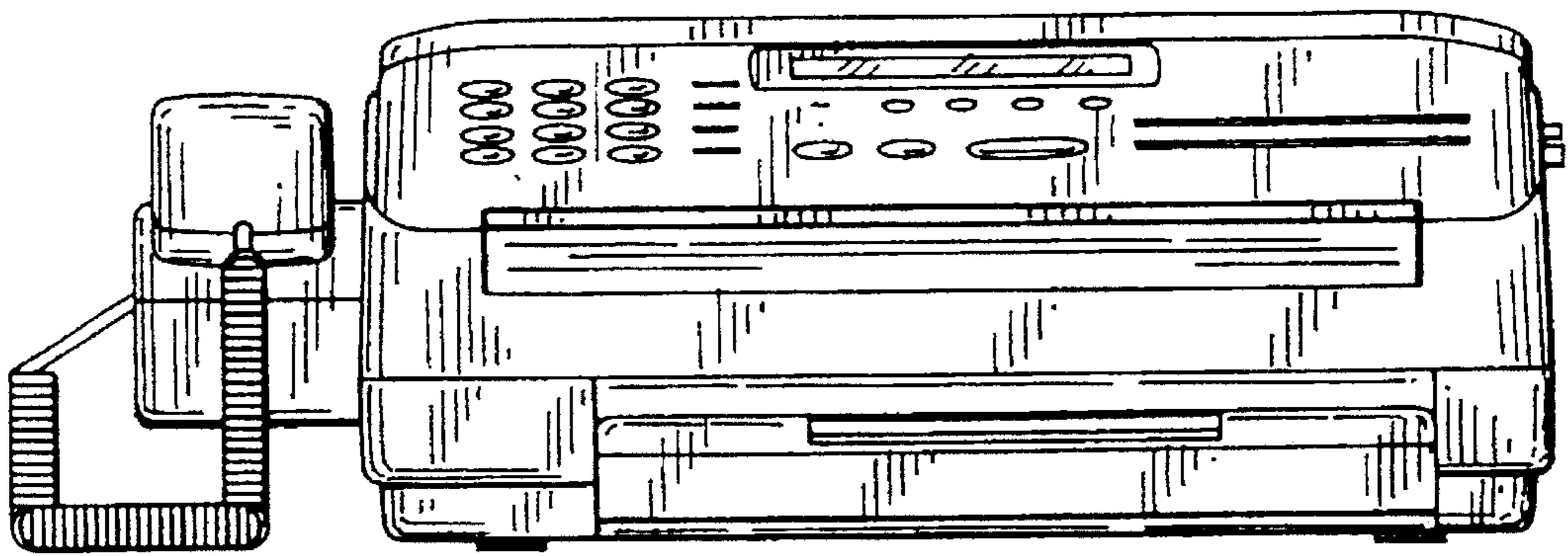


FIG. 8

