



US00D371122S

# United States Patent [19]

Takahashi

[11] Patent Number: **Des. 371,122**

[45] Date of Patent: **\*\*Jun. 25, 1996**

[54] **DISK DRIVE STORAGE UNIT FOR A DATA PROCESSING SYSTEM**

D. 349,104 7/1994 Wettrin ..... D14/100

[75] Inventor: **Tomoyuki Takahashi**, Fujisawa, Japan

*Primary Examiner*—Freda Nunn  
*Attorney, Agent, or Firm*—Roy W. Truelson; Matthew J. Bussan

[73] Assignee: **International Business Machines Corporation**, Armonk, N.Y.

[\*\*] Term: **14 Years**

[57] **CLAIM**

[21] Appl. No.: **29,485**

The ornamental design for a disk drive storage unit for a data processing system, as shown and described.

[22] Filed: **Oct. 6, 1994**

**DESCRIPTION**

[30] **Foreign Application Priority Data**

FIG. 1 is a top, front, right side perspective view of a disk drive storage unit for a data processing system, showing my new design;

Apr. 8, 1994 [JP] Japan ..... 6-10005

[52] **U.S. Cl.** ..... **D14/109**

FIG. 2 is a front elevational view thereof;

[58] **Field of Search** ..... D14/100, 102, D14/107-109; D13/162, 184, 199; 312/208.1, 223.2, 223.3, 194; 360/97.01, 97.04, 98.01, 99.01, 99.12; 361/600, 622, 724-728

FIG. 3 is a rear elevational view thereof;

FIG. 4 is a top plan view thereof;

FIG. 5 is a bottom plan view thereof; and,

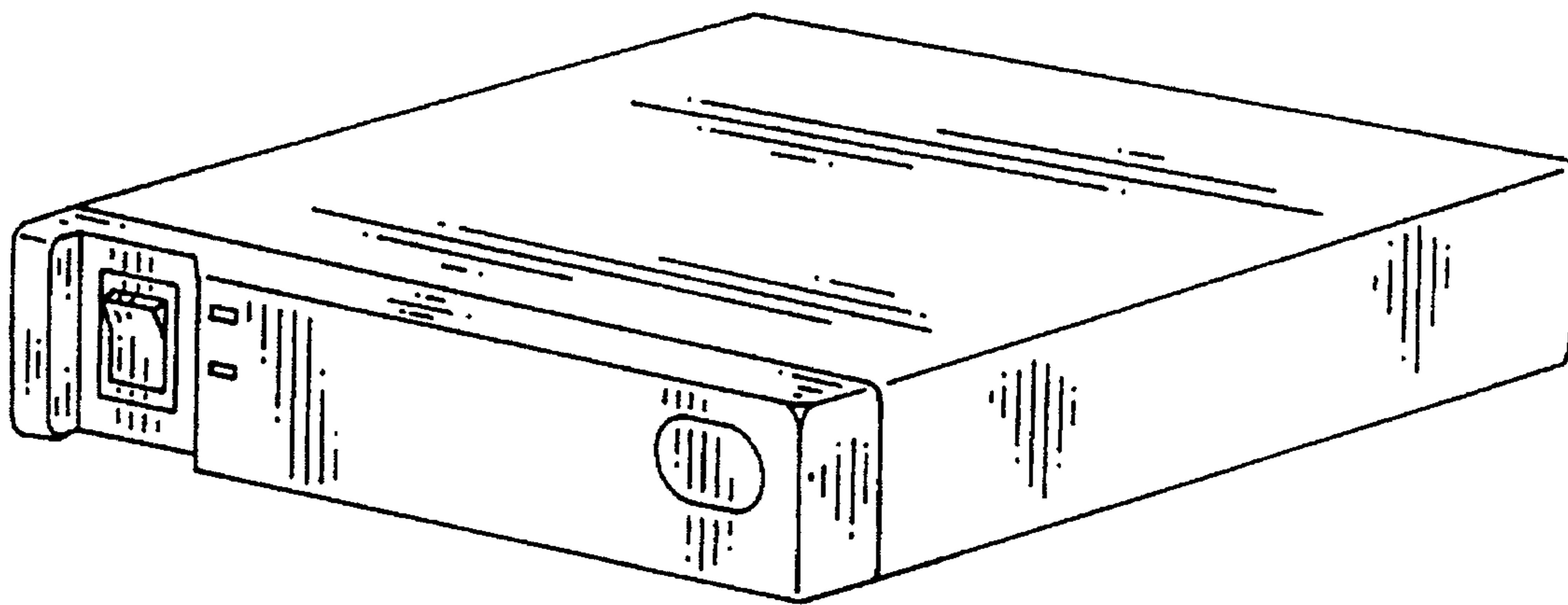
FIG. 6 is a right side elevational view thereof, the left side being identical.

[56] **References Cited**

**U.S. PATENT DOCUMENTS**

D. 342,722 12/1993 Merino et al. .... D14/100

**1 Claim, 2 Drawing Sheets**



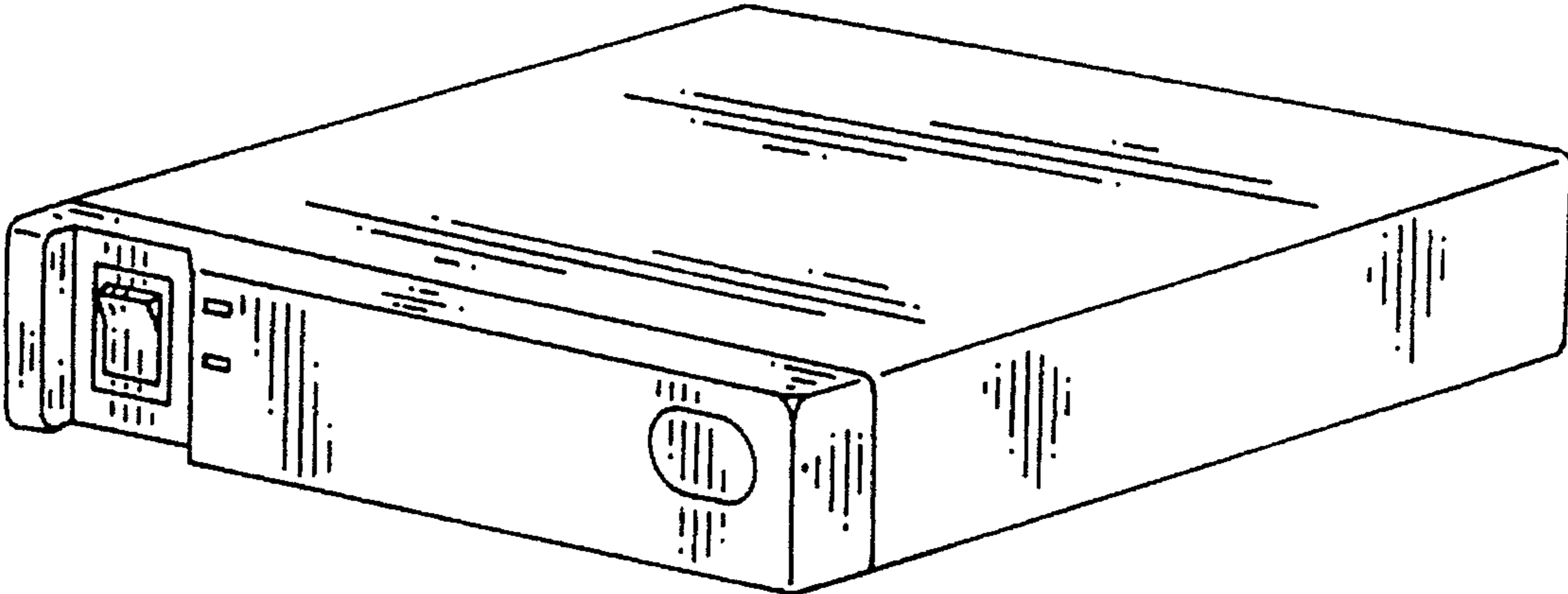


FIG. 1



FIG. 2

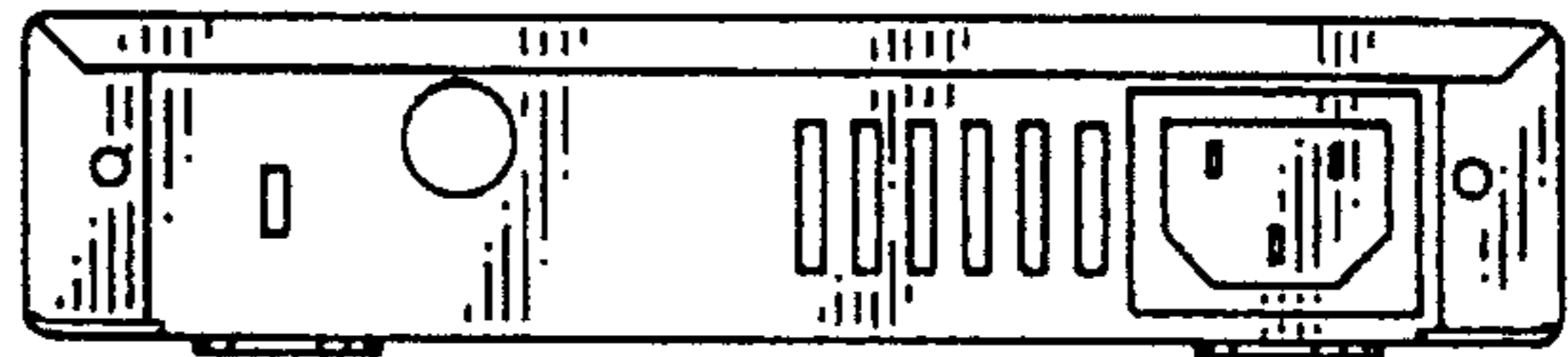


FIG. 3

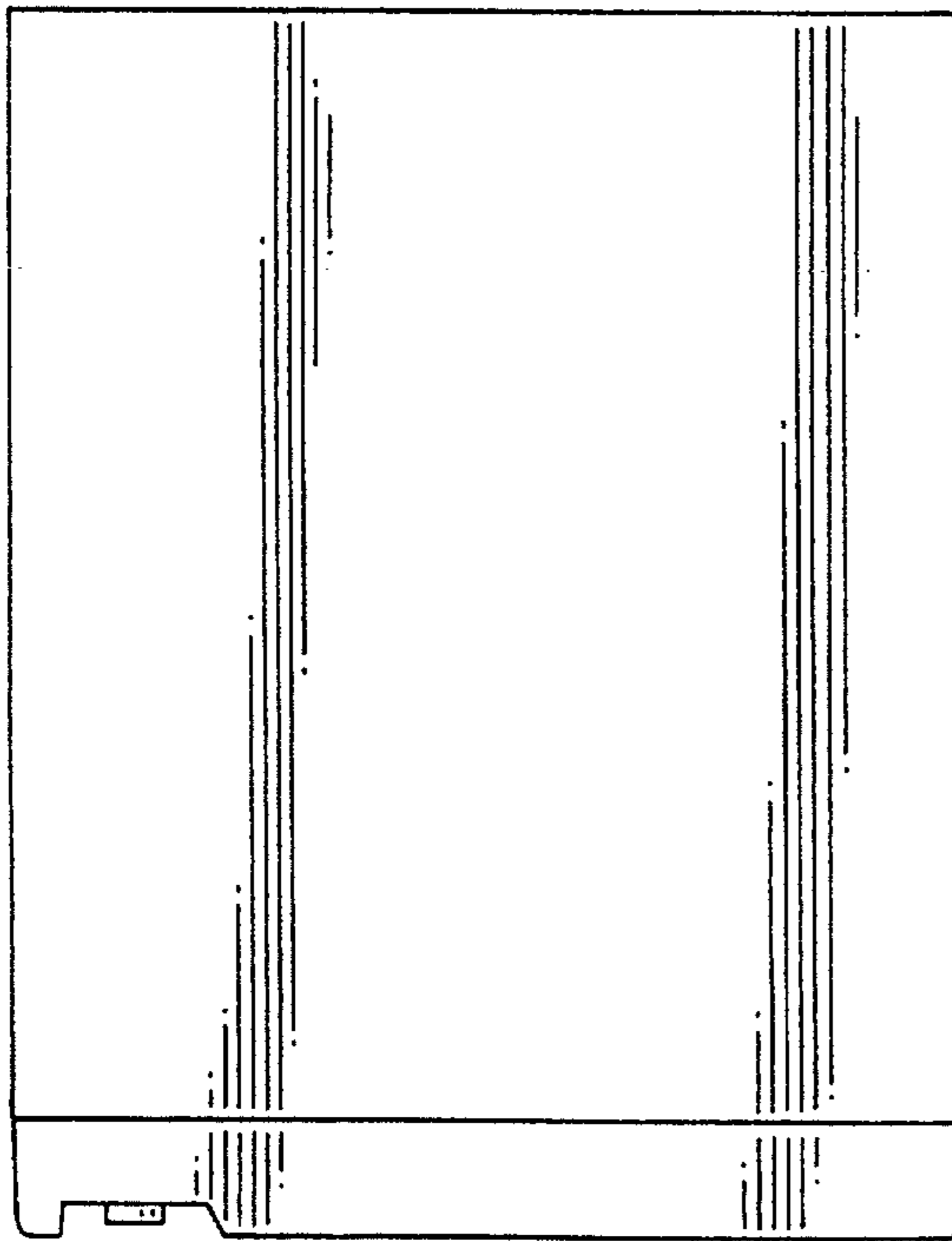


FIG. 4

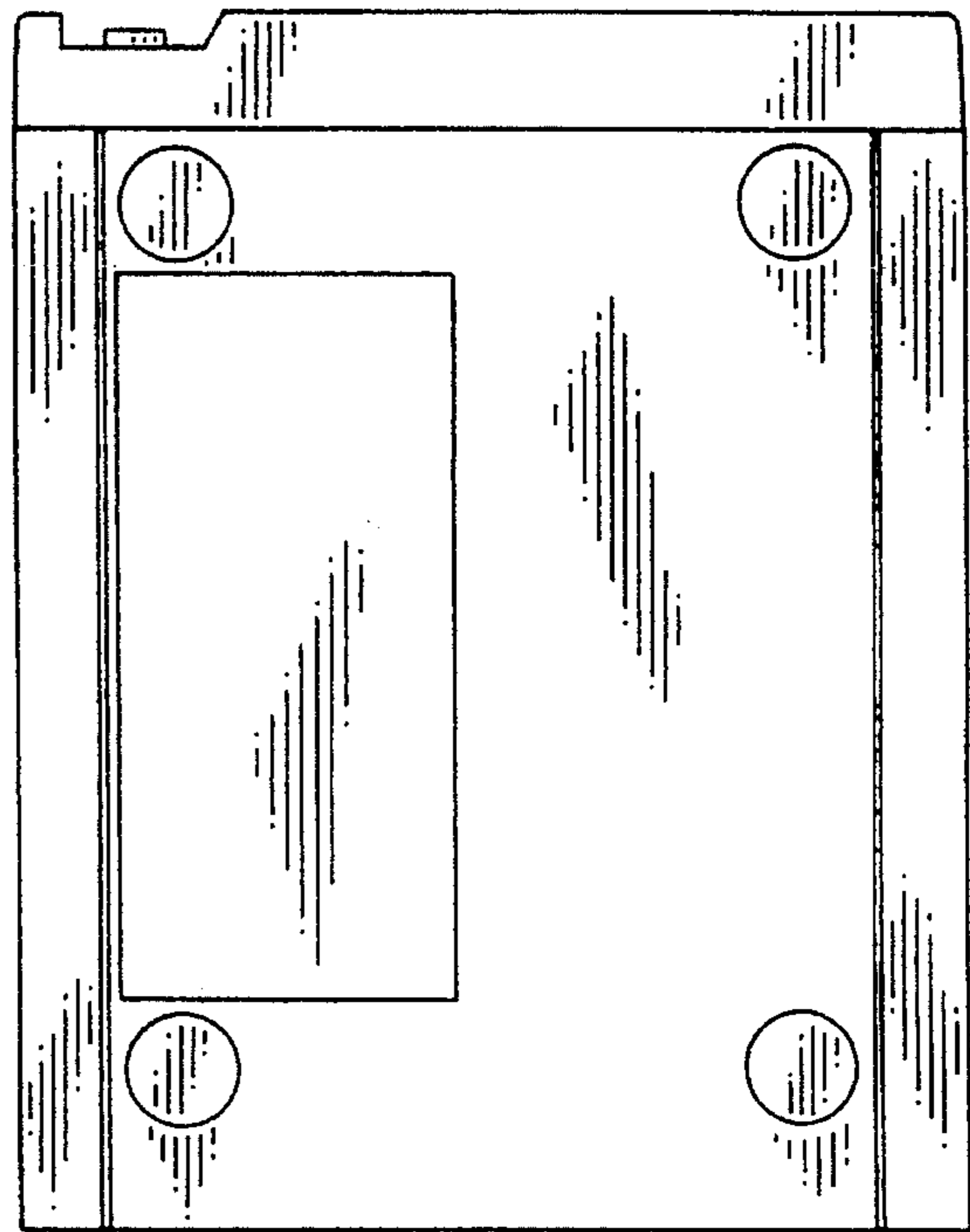


FIG. 5

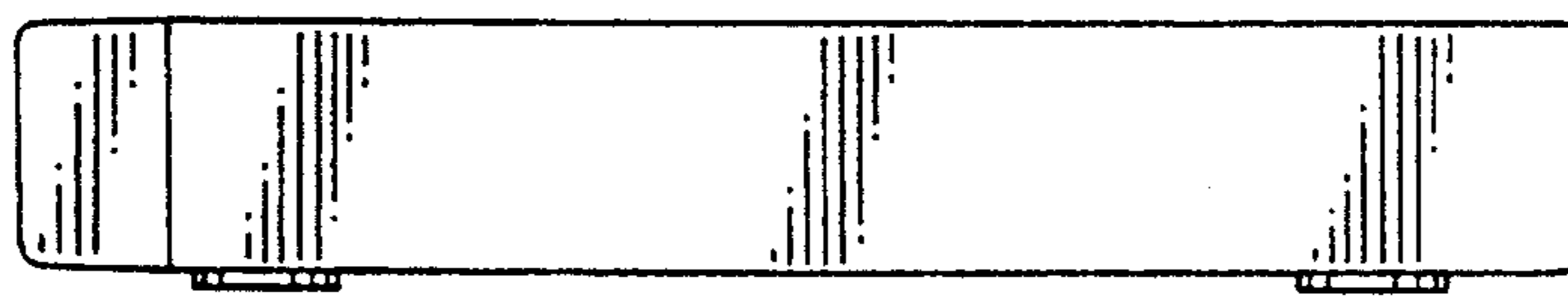


FIG. 6