



US00D371120S

United States Patent [19]

[11] Patent Number: **Des. 371,120**

Kono et al.

[45] Date of Patent: ****Jun. 25, 1996**

[54] **IMAGE READER FOR AN ELECTRONIC COMPUTER**

61-18980 5/1986 Japan .
63-42576 10/1988 Japan .
4-12041 4/1992 Japan .

[75] Inventors: **Taketo Kono**, Kawasaki; **Kiichi Taniho**; **Yasunori Miyauchi**, both of Kahoku, all of Japan

OTHER PUBLICATIONS

Catalog of OEM Image Scanner M3094A/B of Fujitsu Ltd. May 21, 1987 scanner.

[73] Assignee: **PFU Limited**, Ishikawa, Japan

Fujitsu Computer Products of America, Inc. ScanPartner Plus scanner.

[**] Term: **14 Years**

Primary Examiner—Freda Nunn

[21] Appl. No.: **40,363**

Attorney, Agent, or Firm—Nikaido, Marmelstein, Murray & Oram

[22] Filed: **Jun. 16, 1995**

[30] Foreign Application Priority Data

Dec. 22, 1994 [JP] Japan 6-39257

[52] U.S. Cl. **D14/107**

[58] Field of Search D14/100, 105, D14/107, 118; D18/36, 37, 39, 46, 55; 250/566, 568; 355/231, 233; 358/488, 497, 408, 472, 474; 235/382, 380, 382.5, 454, 462, 470, 476, 482, 483, 441

[57] CLAIM

The ornamental design for an image reader for an electronic computer, as shown and described.

[56] References Cited

U.S. PATENT DOCUMENTS

D. 278,817 5/1985 Ohno et al. D14/118
D. 288,093 2/1987 Fujiyama et al. D14/118
D. 311,909 11/1990 Chen D14/107
350,733 9/1994 Masujima D14/107

DESCRIPTION

FIG. 1 is a perspective view of an image reader for an electronic computer showing our new design;

FIG. 2 is another perspective view thereof with the cover in an open position;

FIG. 3 is a top plan view thereof;

FIG. 4 is a front elevational view thereof;

FIG. 5 is a rear elevational view thereof;

FIG. 6 is a bottom plan view thereof;

FIG. 7 is a left side elevational view thereof; and,

FIG. 8 is a right side elevational view thereof.

FOREIGN PATENT DOCUMENTS

61-18979 5/1986 Japan .

1 Claim, 4 Drawing Sheets

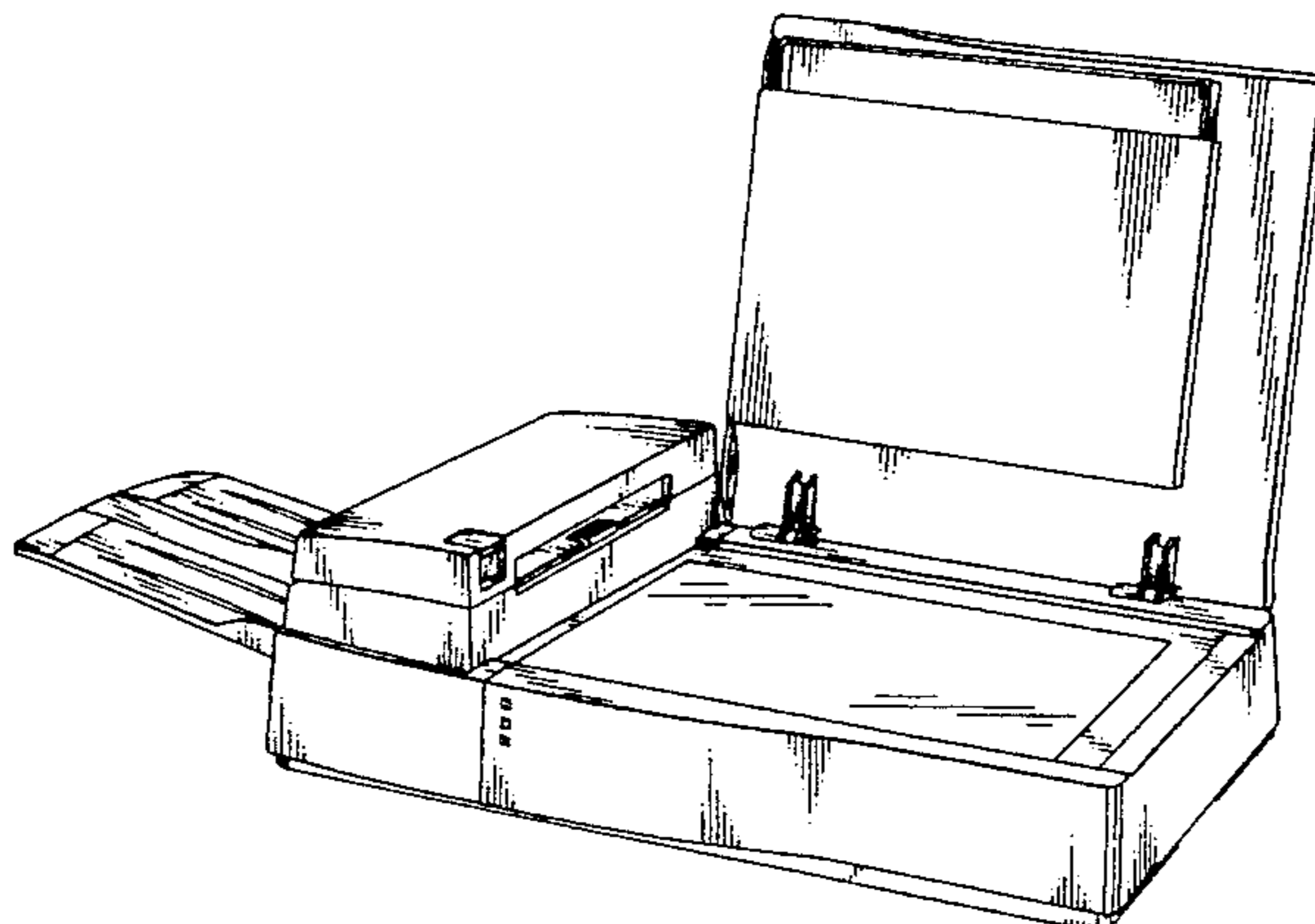
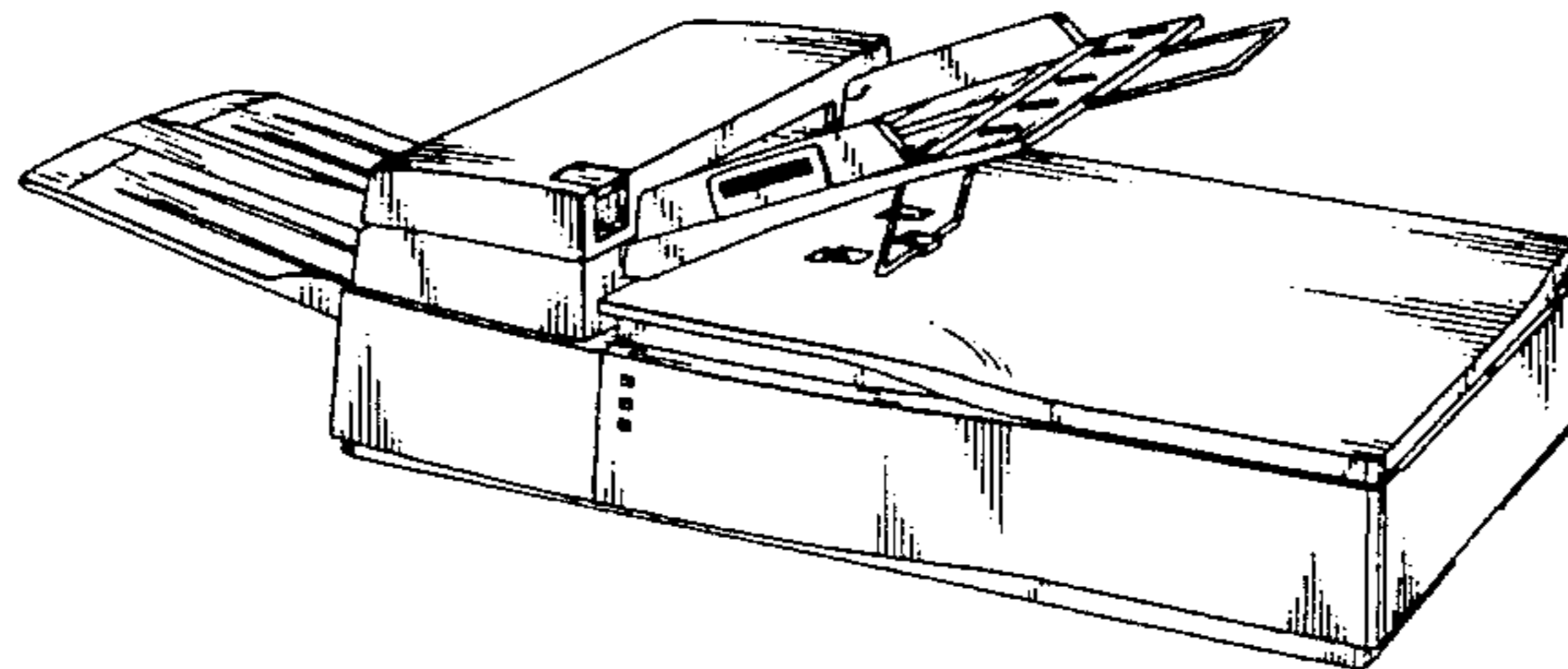


Fig.1

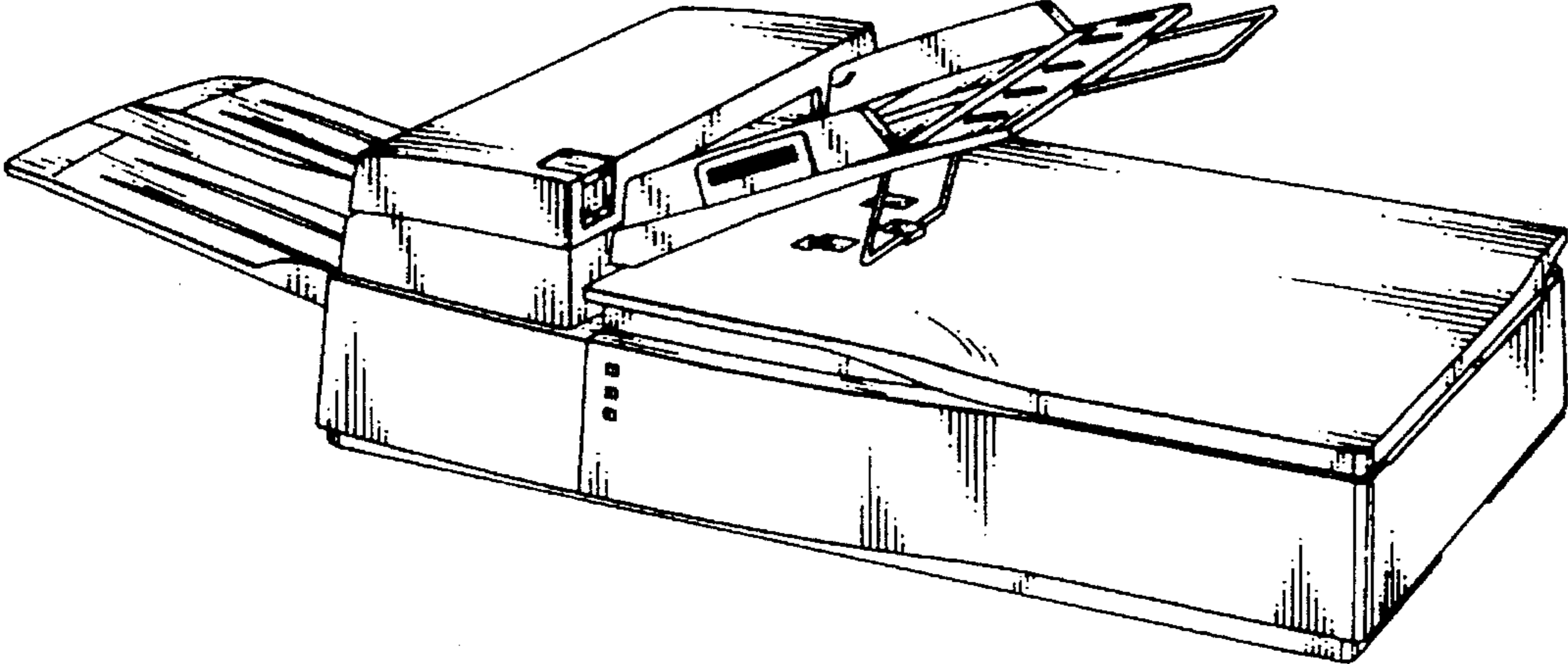


Fig.2

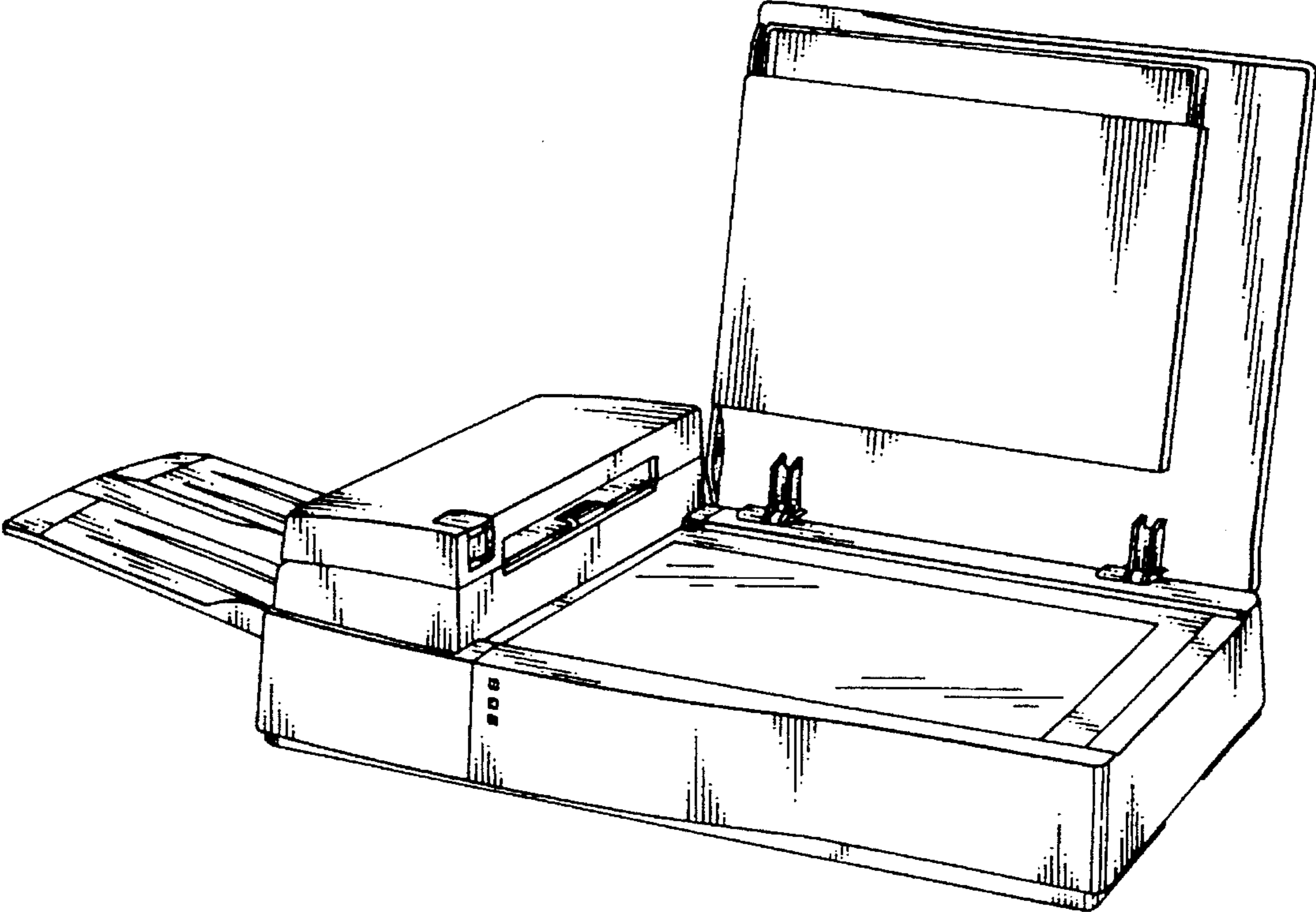


Fig.3

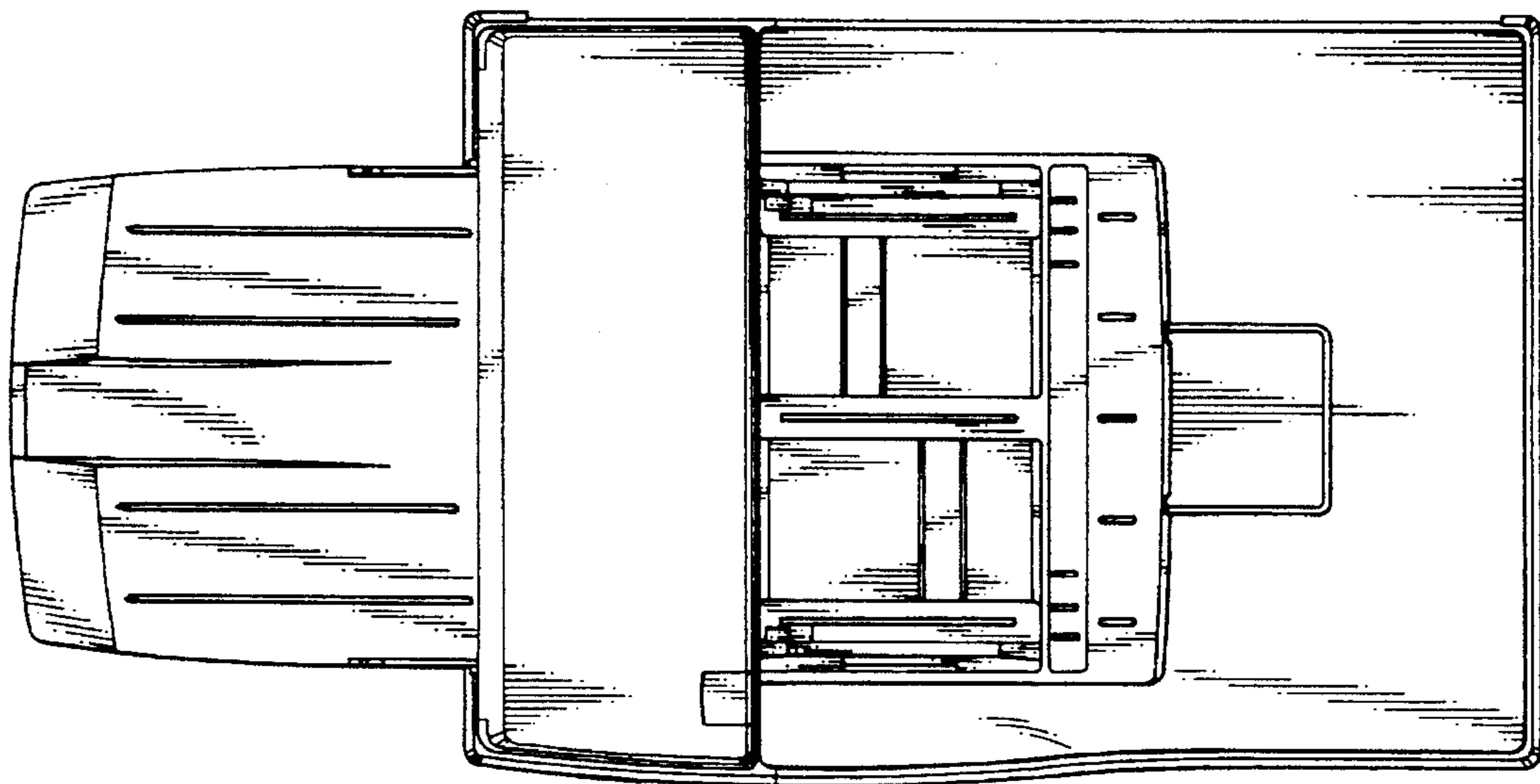


Fig.4

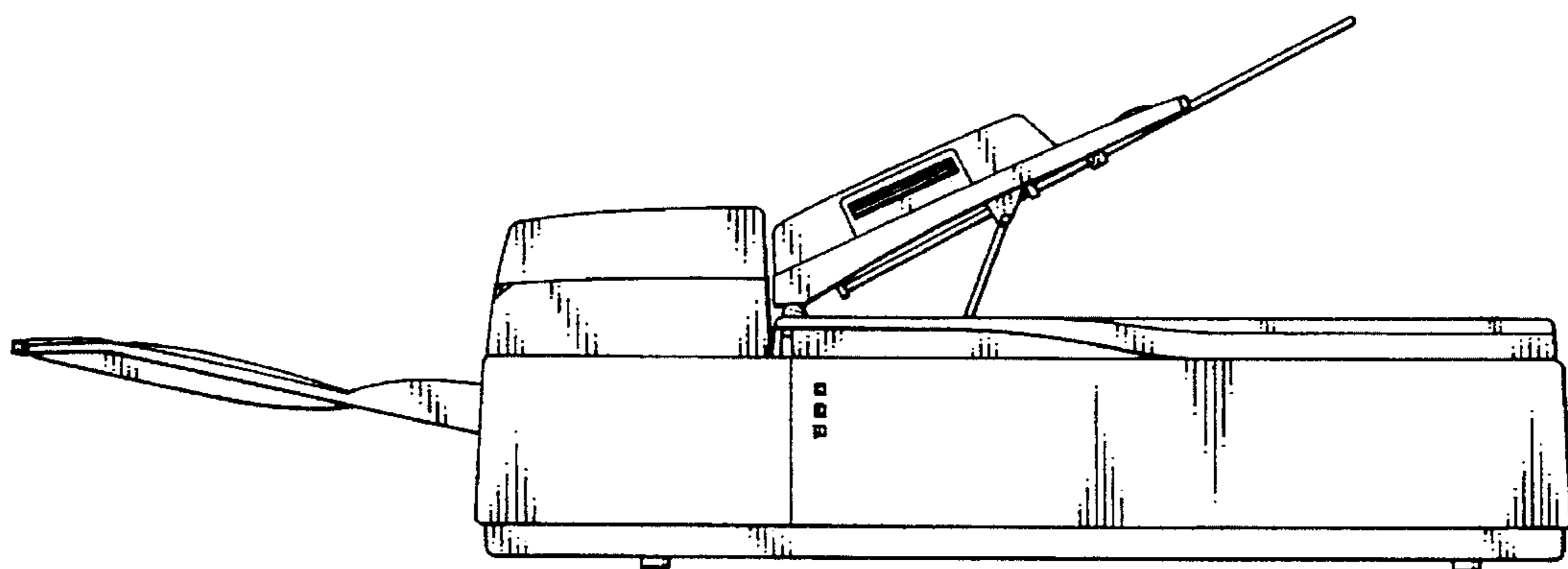


Fig.5

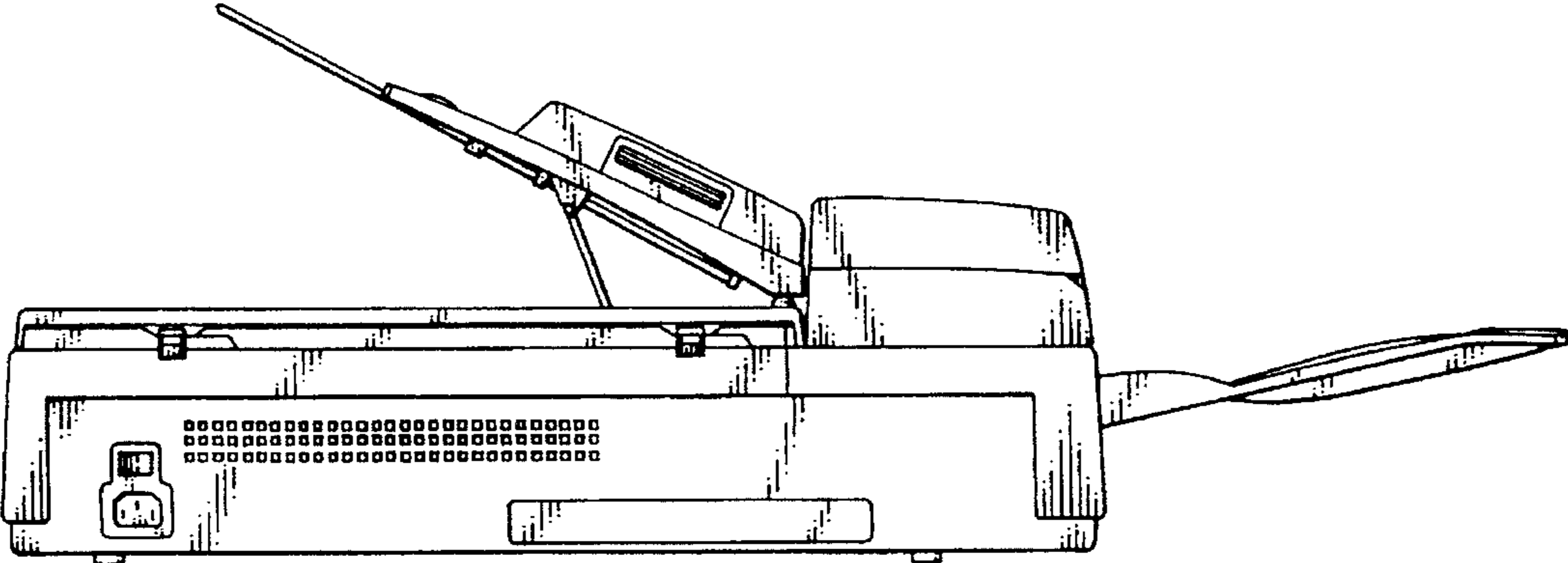


Fig.6

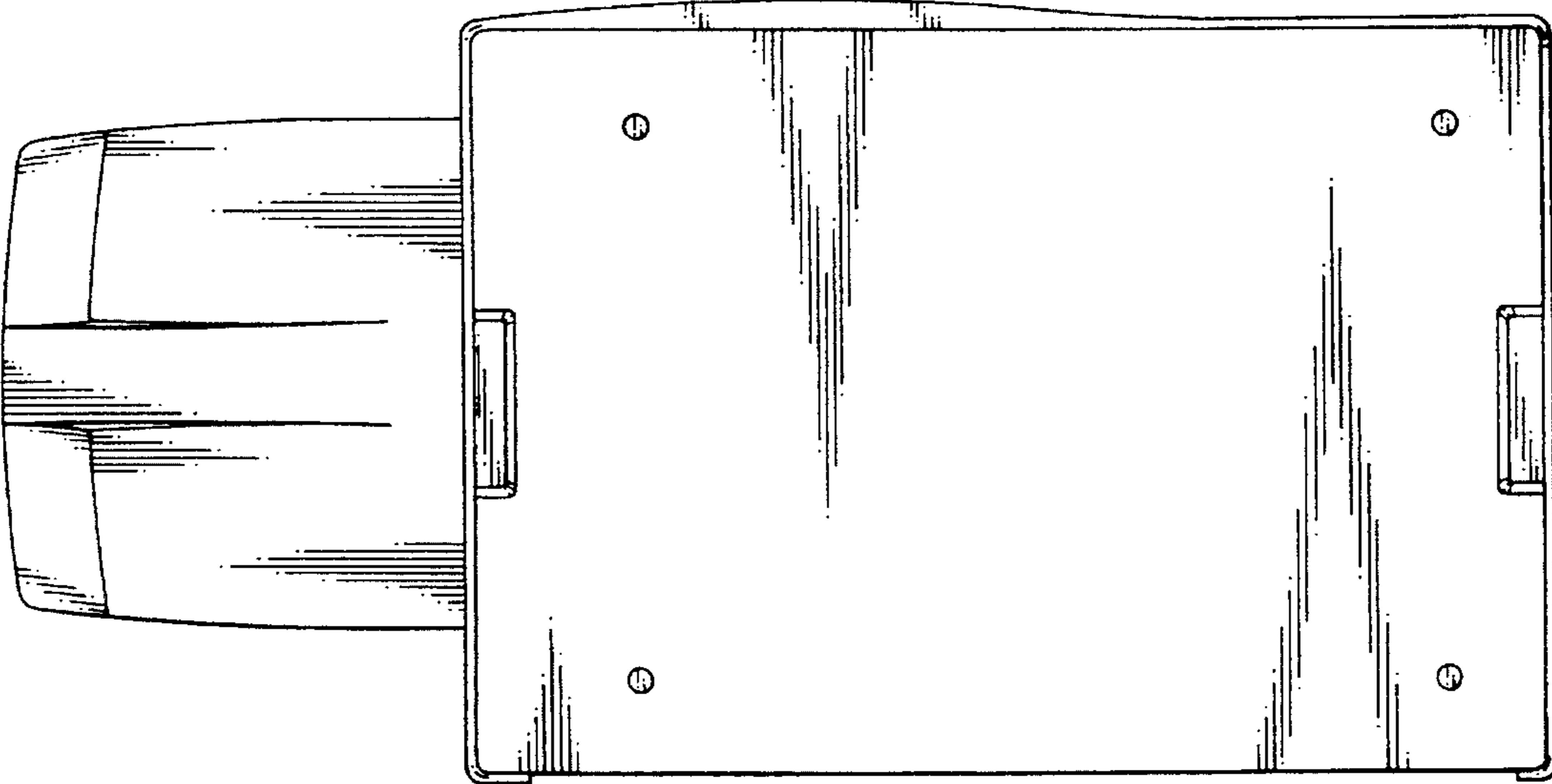


Fig.8

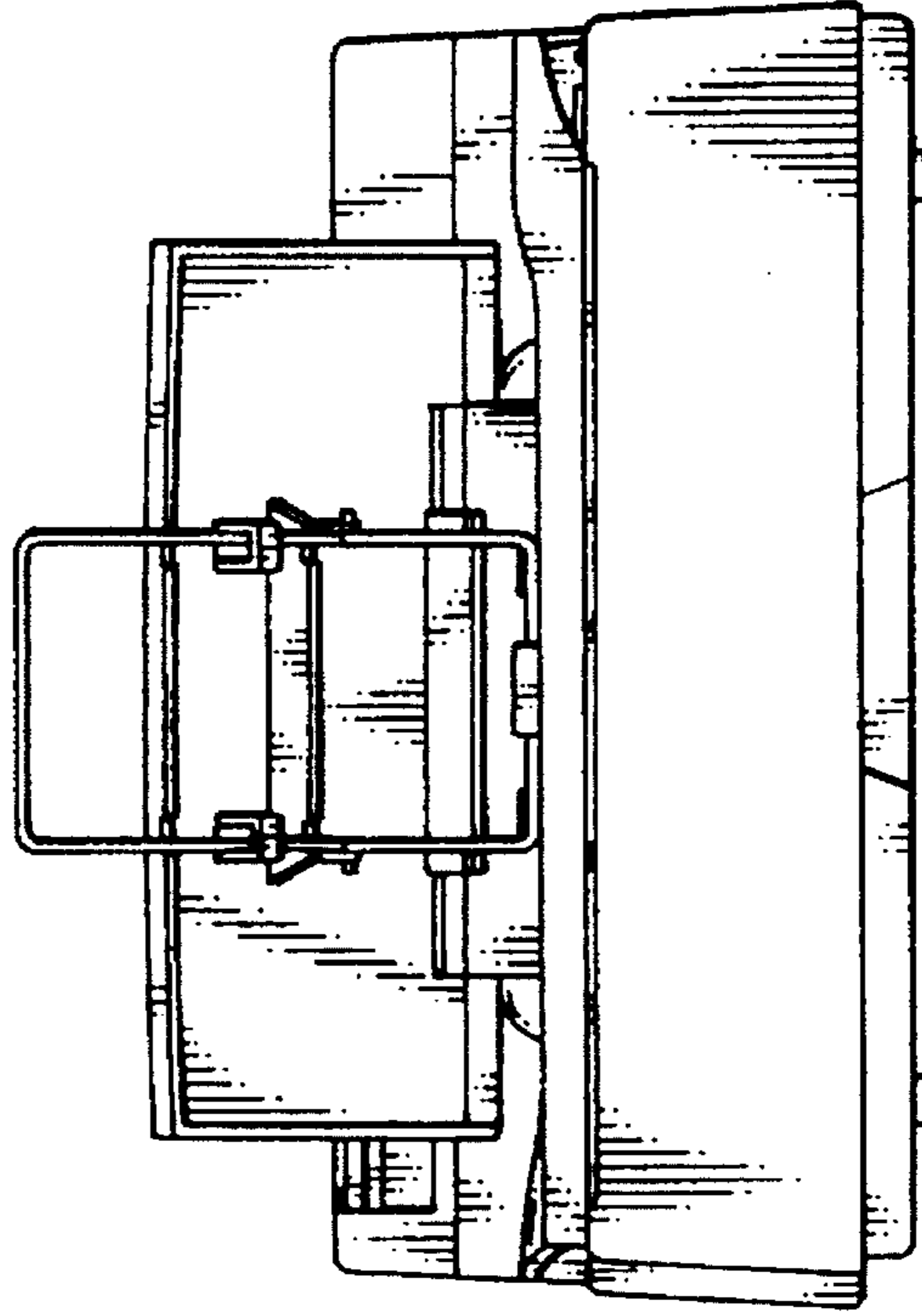


Fig.7

