



US00D371118S

United States Patent [19]

[11] Patent Number: Des. 371,118

Kondo

[45] Date of Patent: **Jun. 25, 1996

[54] ELECTRONIC COMPUTER

[75] Inventor: Osamu Kondo, Tokyo, Japan

[73] Assignee: Kabushiki Kaisha Toshiba, Kanagawa-Ken, Japan

[**] Term: 14 Years

[21] Appl. No.: 39,488

[22] Filed: May 30, 1995

[30] Foreign Application Priority Data

Nov. 28, 1994 [JP] Japan 6-35800

[52] U.S. Cl. D14/106; D14/172

[58] Field of Search D14/100, 101, D14/106, 113, 115, 172, 124-127; D18/1, 7; 235/145 A, 145 R; 341/22, 23; 345/104, 156, 168, 173, 901-905, 87; 361/679-686; 364/708.1, 709.04, 709.12; 400/486, 489

[56] References Cited

U.S. PATENT DOCUMENTS

- D. 280,511 9/1985 Moggridge et al. .
- D. 290,845 7/1987 Yubisui et al. .
- D. 294,029 2/1988 Nishiyama et al. .
- D. 306,285 2/1990 Yu .
- D. 308,860 6/1990 Tsukada et al. .
- D. 310,353 9/1990 Sugano et al. .
- D. 310,828 9/1990 Grundstrom et al. .
- D. 311,527 10/1990 Fujii et al. .
- D. 312,450 11/1990 Walters, II .
- D. 314,558 2/1991 Iino .
- D. 317,302 6/1991 Shibuya et al. .
- D. 317,442 6/1991 Gintz et al. .
- D. 321,176 10/1991 Ma .
- D. 324,674 3/1992 Iino .
- D. 328,288 7/1992 Izaki .
- D. 331,919 12/1992 Sekino et al. .
- D. 334,558 4/1993 Iino .
- D. 335,124 4/1993 Mizusugi et al. .
- D. 335,870 5/1993 Yun .
- D. 336,076 6/1993 Masaaki .
- D. 338,660 8/1993 Youens et al. .
- D. 338,879 8/1993 Iino .
- D. 343,167 1/1994 Mizusugi et al. .
- D. 343,831 2/1994 Spoeth .

- D. 345,551 3/1994 Youens et al. .
- D. 346,369 4/1994 Iino .
- D. 347,829 7/1994 Iino .
- D. 349,106 7/1994 Iino et al. .

FOREIGN PATENT DOCUMENTS

- M8802901 5/1989 Germany .
- M9107941 5/1991 Germany .
- M9103696 10/1992 Germany .
- 499866 4/1979 Japan .
- 685121 8/1986 Japan .
- 686658 9/1986 Japan .
- 695931 12/1986 Japan .
- 746985 4/1989 Japan .
- 763855 6/1989 Japan .
- 763838 6/1989 Japan .
- 65-0470 5/1990 Japan .
- 872105 7/1993 Japan .
- 893156 3/1994 Japan .
- 893044 3/1994 Japan .
- 67297 11/1985 Rep. of Korea .
- 94470 8/1989 Rep. of Korea .
- 115781 7/1990 Rep. of Korea .
- 115245 7/1990 Rep. of Korea .
- 113906 7/1990 Rep. of Korea .
- 119257 10/1990 Rep. of Korea .
- 118263 12/1990 Rep. of Korea .
- 149344 1/1991 Taiwan .

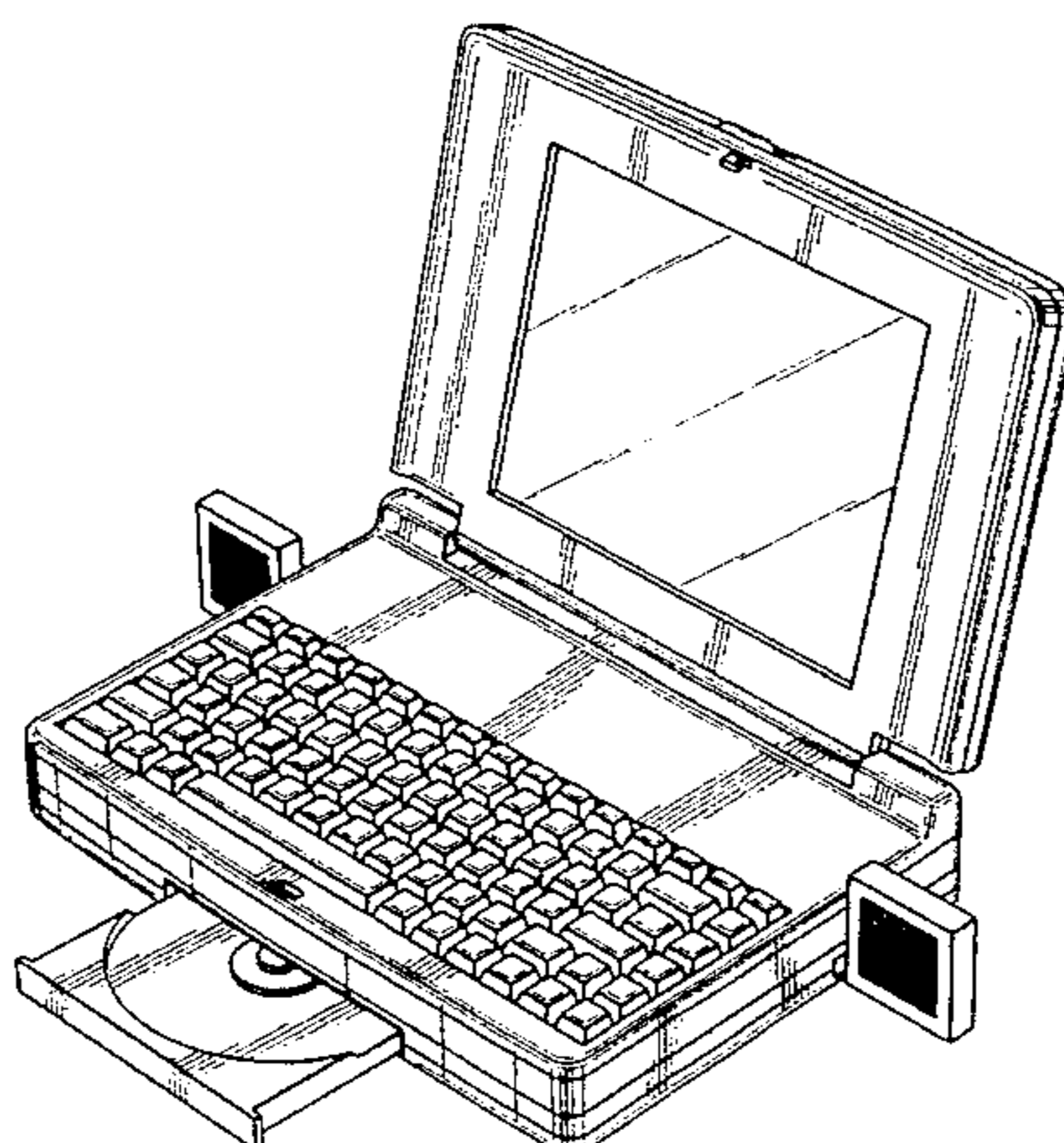
OTHER PUBLICATIONS

- Staples Catalog Mar. 5, 1995 front cover COMPAQ *display with speakers*.
- TIGER Software 1995 Catalog p. 5 Texas Instrument Travelmate *notebook computer* (top left corner).
- Sharp, May 19, 1974.
- Data General One Advertisement, Sep. 28, 1984.
- Data General One Advertisement, May 23, 1985.
- MultiSped E1 Model, 1988.
- NEC PC-9801 LV21, May 13, 1988.
- NEC PC-90LT, Apr. 14, 1988.
- NEC PC-9801 LX5C Aug. 23, 1988.
- NEC RC-9801 LV21, Aug. 23, 1988.

(List continued on next page.)

[57] CLAIM

The ornamental design for an electronic computer, as shown and described.



Primary Examiner—Freda Nunn
Attorney, Agent, or Firm—Banner & Allegretti, Ltd.

DESCRIPTION

FIG. 1 is a top, front and right side perspective view of an electronic computer showing my new design;
FIG. 2 is a front elevational view thereof;
FIG. 3 is a top plan view thereof;
FIG. 4 is a bottom plan view thereof;
FIG. 5 is a right side elevational view thereof;
FIG. 6 is a left side elevational view thereof;
FIG. 7 is a rear elevational view thereof;
FIG. 8 is a front elevational view thereof in an closed position;
FIG. 9 is a top plan view thereof in the closed position;
FIG. 10 is a right side elevational view thereof in the closed position; and,

FIG. 11 is a top, front and right persective view thereof with the CD-ROM case being in an open position.

1 Claim, 5 Drawing Sheets

OTHER PUBLICATIONS

Ricoh—Magus , Feb. 01, 1990.
Mitsubishi Maxi, May 15, 1990.
NoteMaster 386S/16, Nov. 12, 1990.
52Note, May 15, 1991.
Premium Exec 3865X120, Jun. 01, 1991.
Travel Mate—Texas Instruments 1992.
ifNote Oki, Obtained, Feb. 05, 1992.
AST PRemium Exec 386SX/25, Oct. 25, 1991.
NoteMaster, Samsung, obtained Sep. 17, 1992.
NT-300, Dec. 20, 1991.

FIG. 1

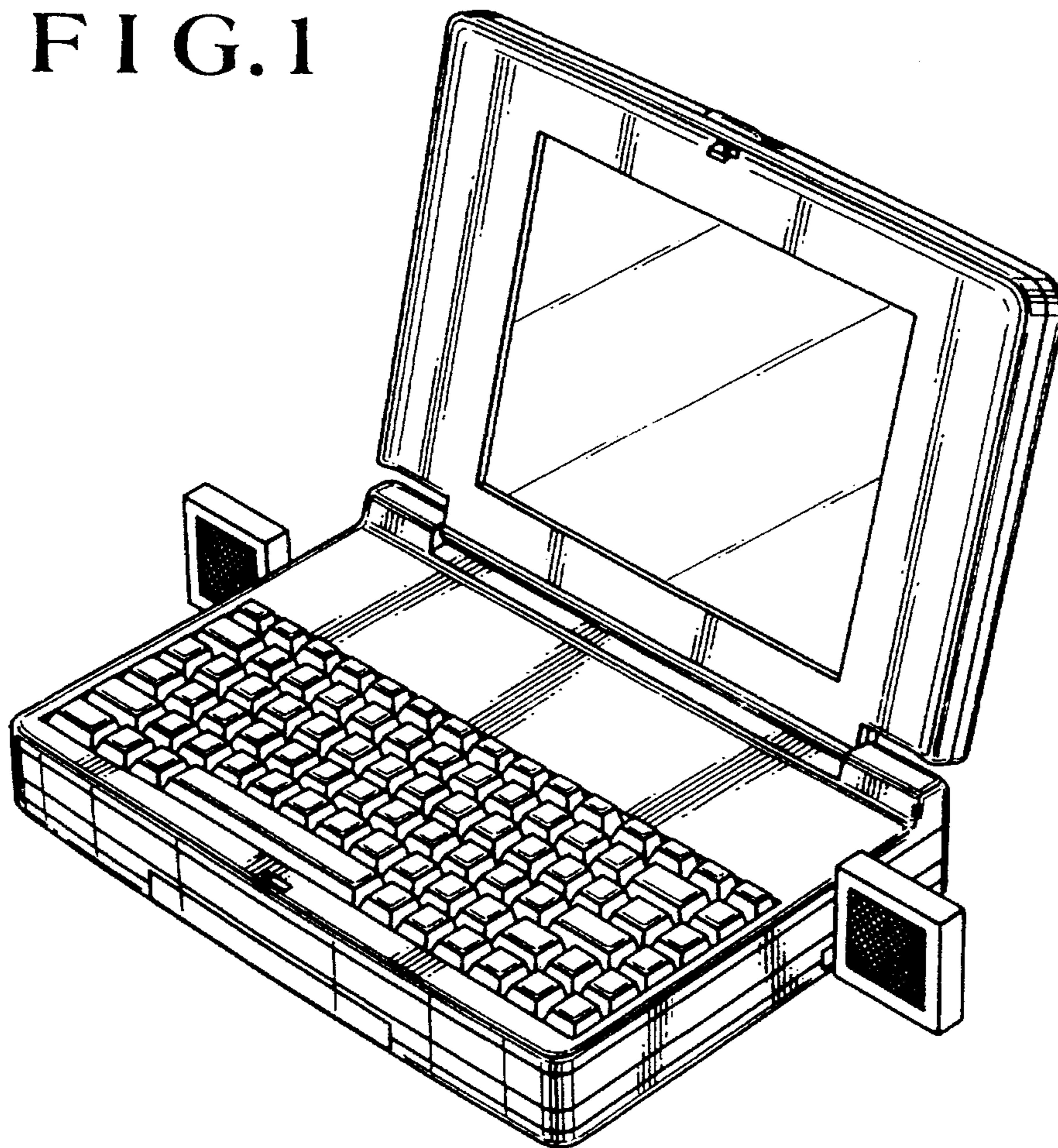


FIG. 2

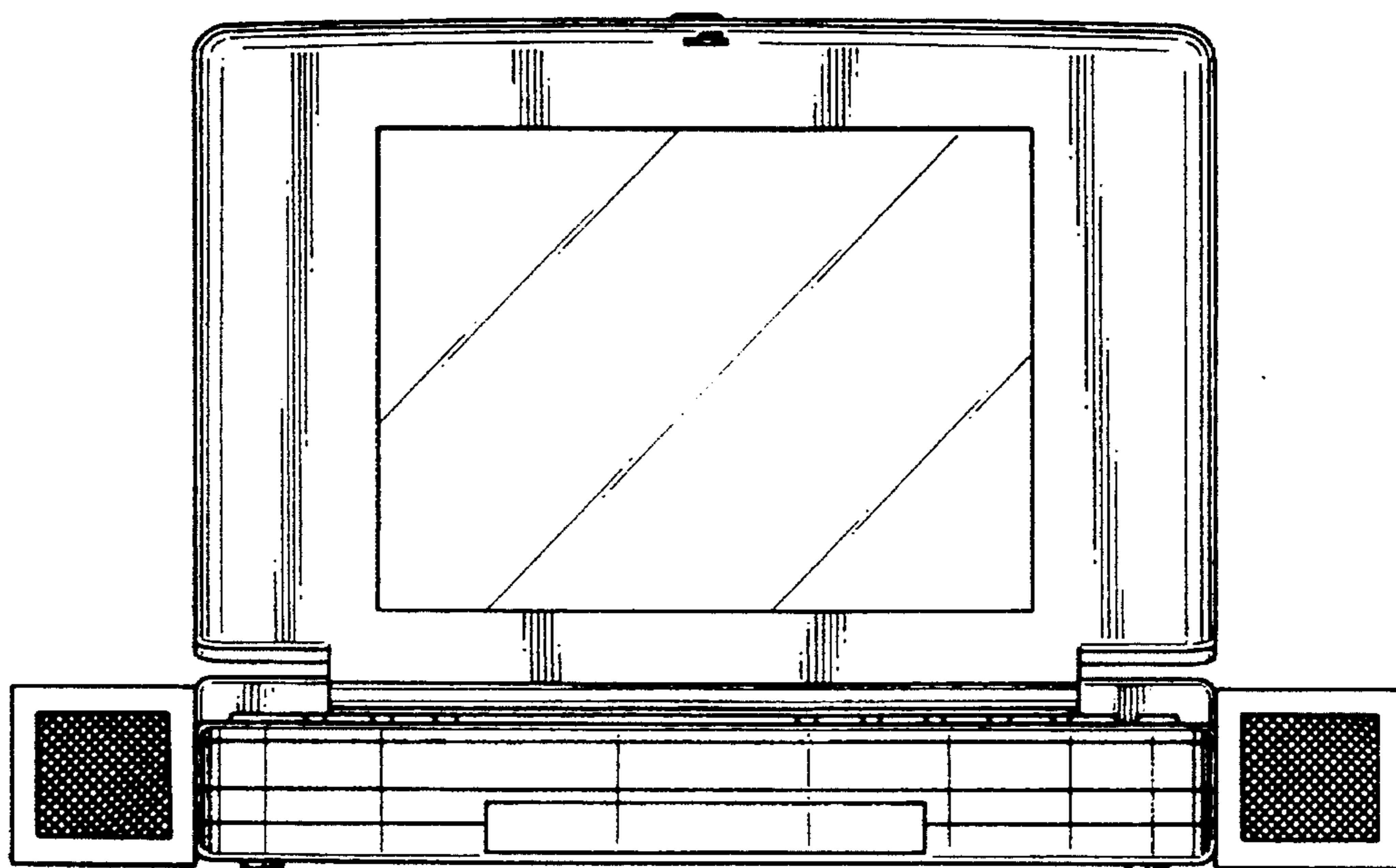


FIG.3

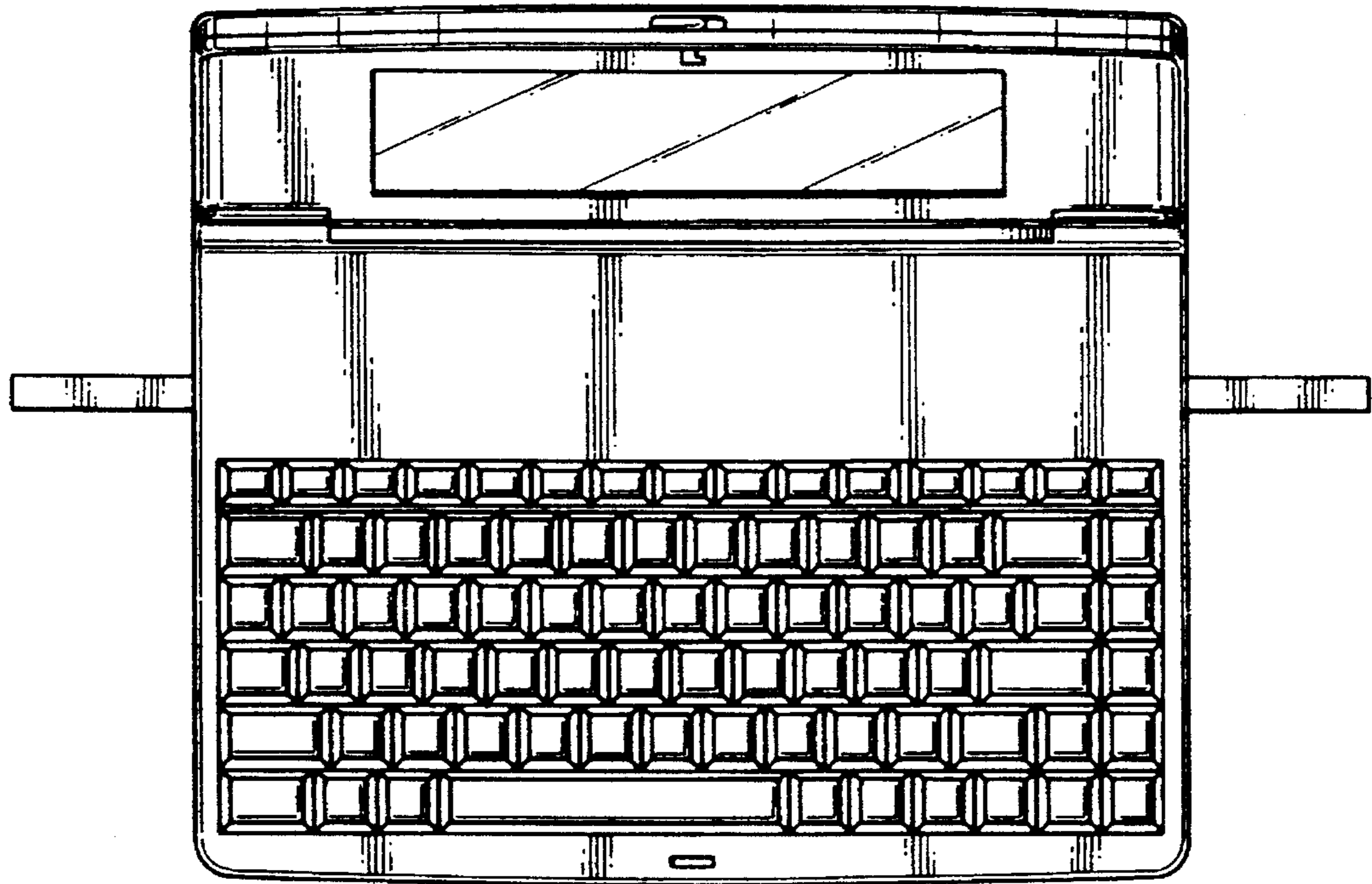


FIG.4

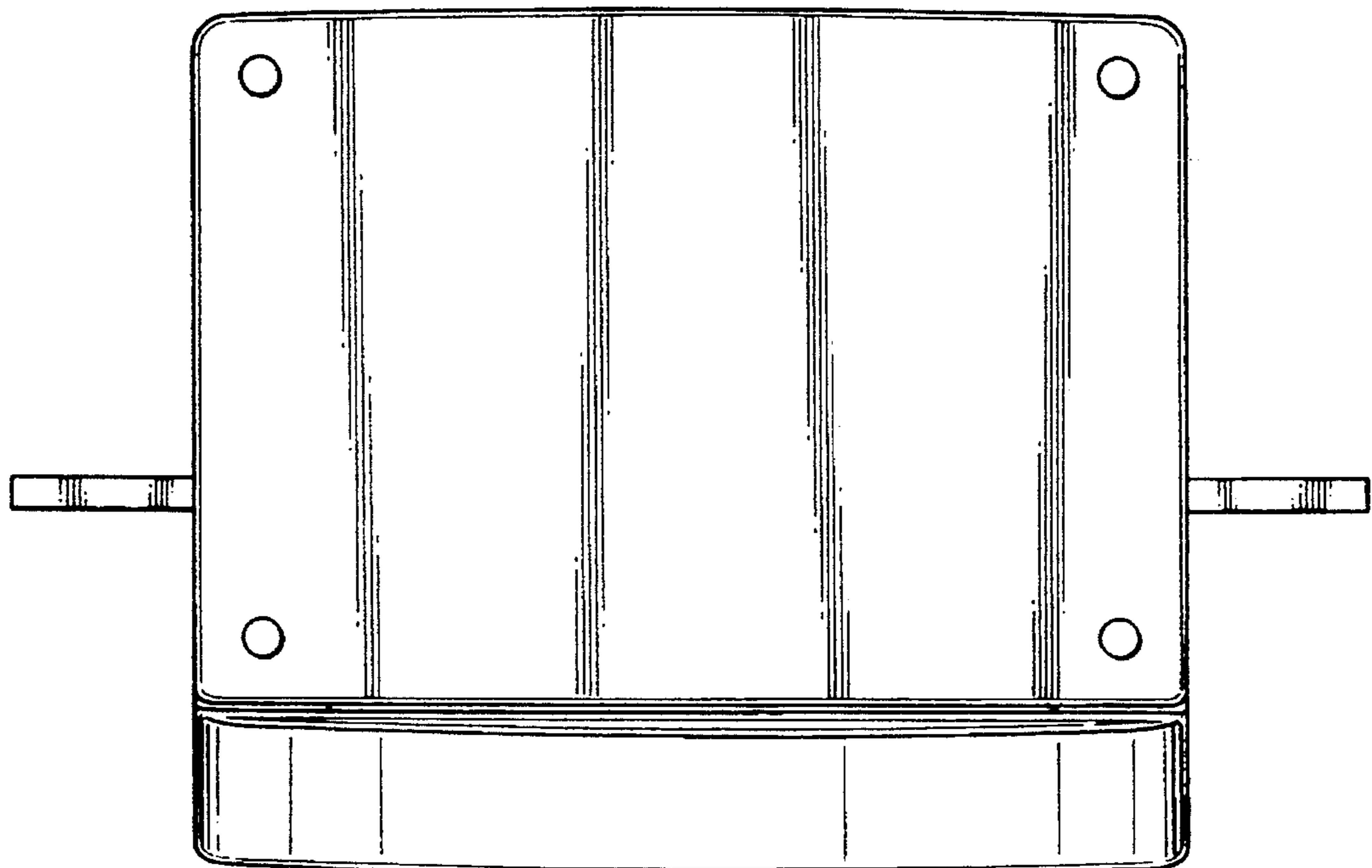


FIG. 5

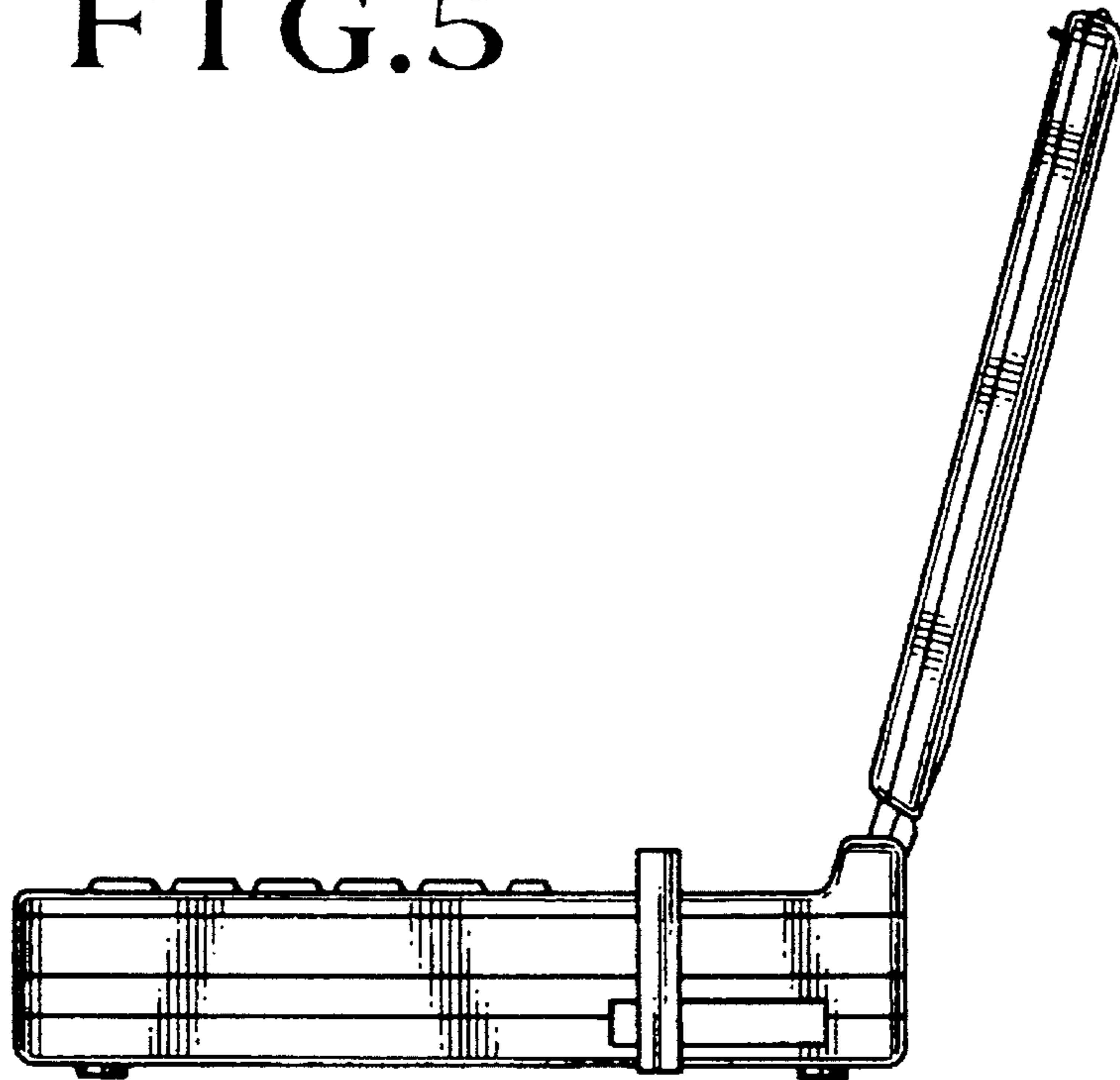


FIG. 6

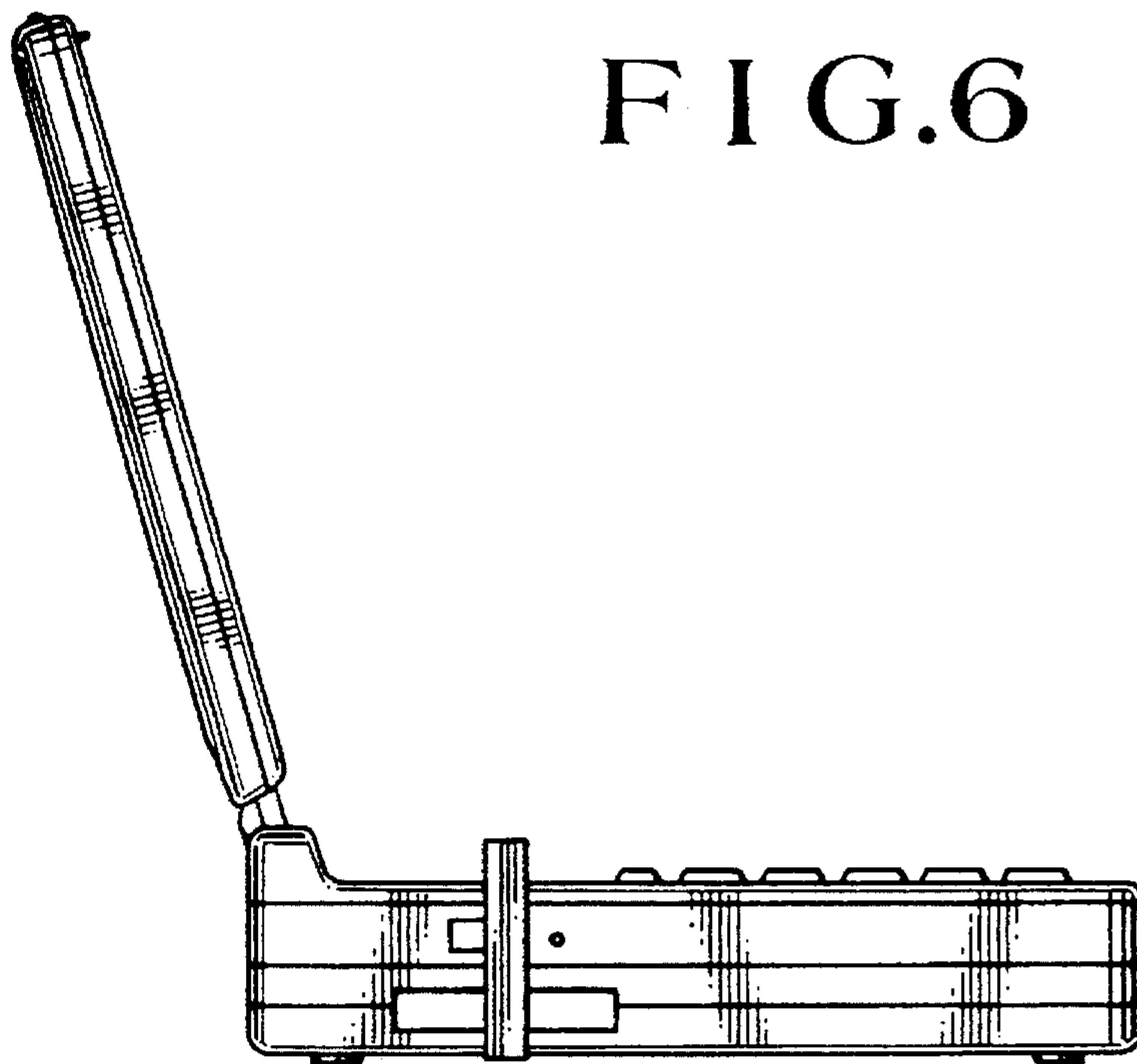


FIG. 7

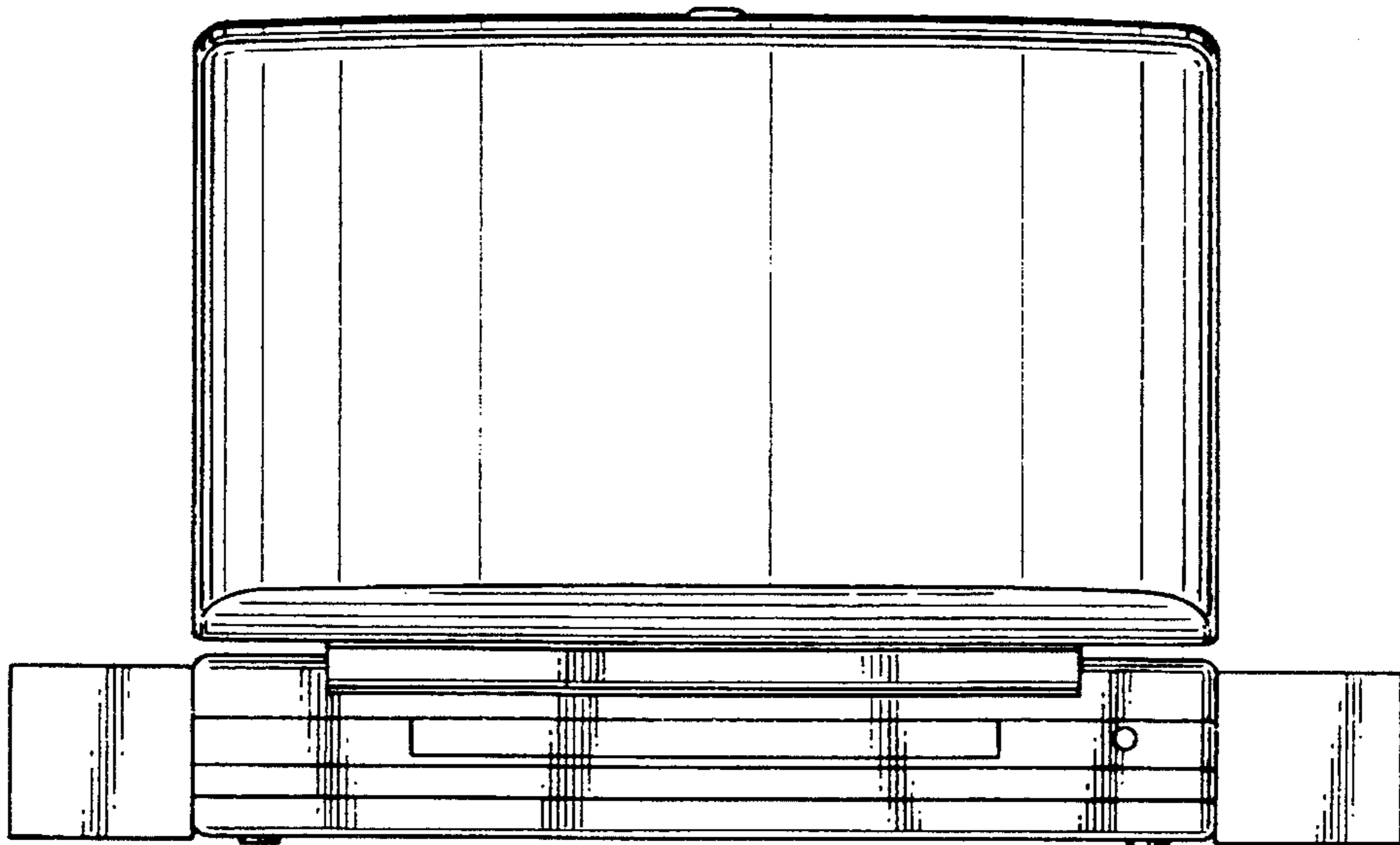


FIG. 8

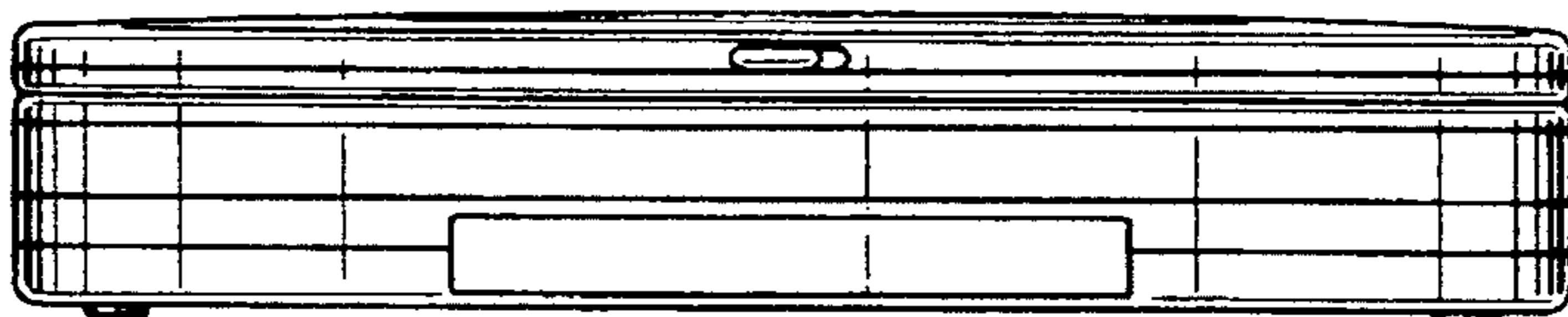


FIG. 9

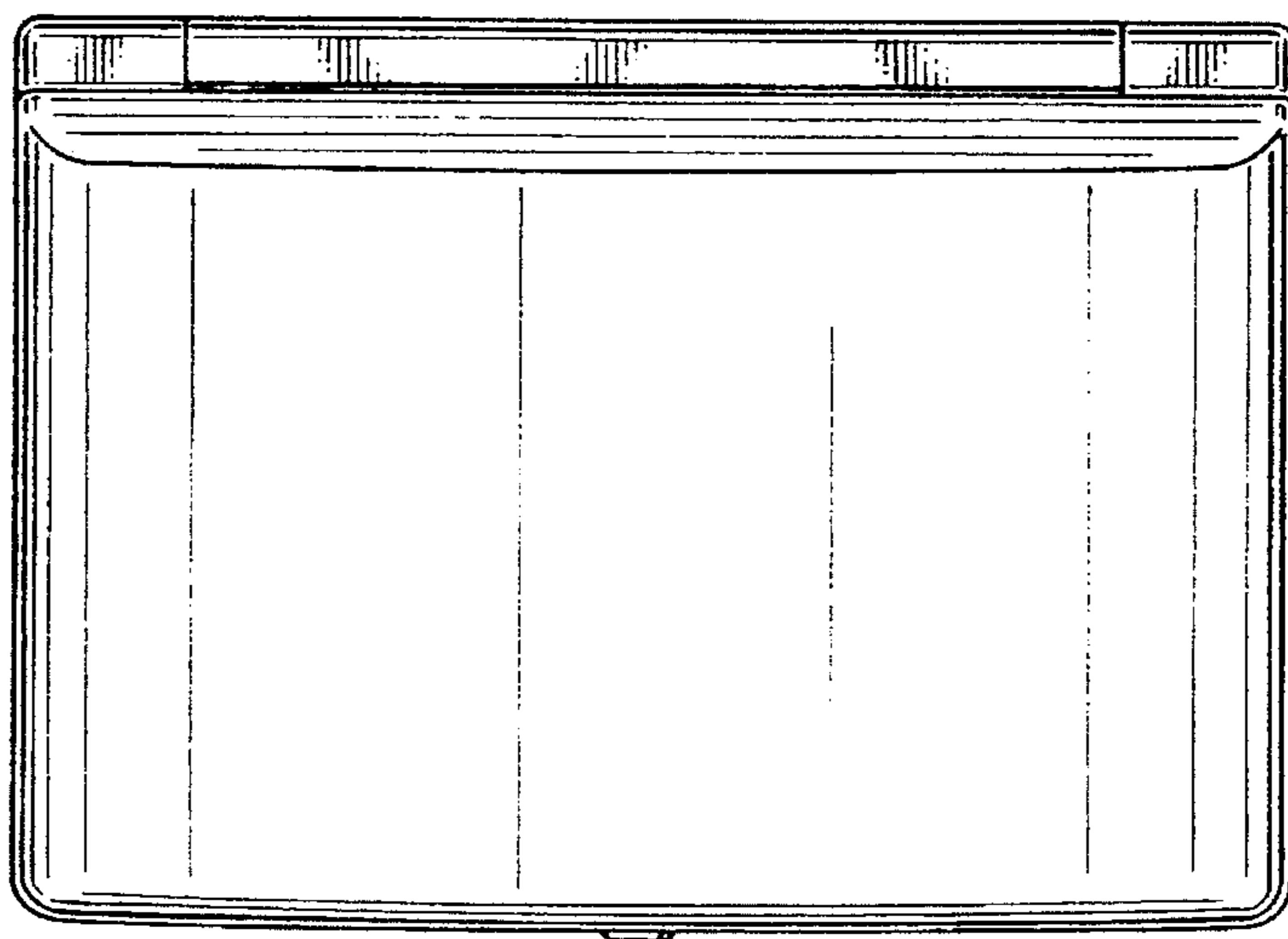


FIG.10

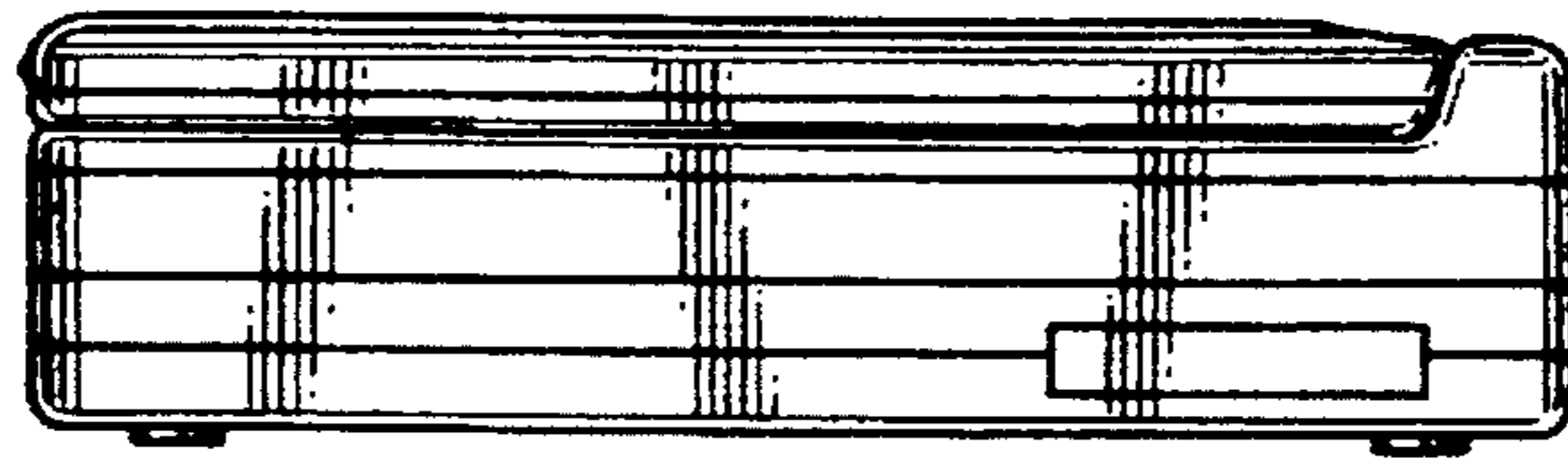


FIG.11

