



US00D371115S

United States Patent [19]

[11] Patent Number: **Des. 371,115**

Stern

[45] Date of Patent: ****Jun. 25, 1996**

[54] **CONTROL BOX FOR ELECTRONIC EQUIPMENT**

4,664,281 5/1987 Falk et al. 174/50 X

[75] Inventor: **Ralph C. Stern, La Grange Park, Ill.**

Primary Examiner—Joel Sincavage
Attorney, Agent, or Firm—Laff, Whitesel, Conte & Saret, Ltd.

[73] Assignee: **Maxtec International Corp., Chicago, Ill.**

[57] **CLAIM**

[**] Term: **14 Years**

The ornamental design for a control box for electronic equipment, as shown.

[21] Appl. No.: **14,922**

DESCRIPTION

[22] Filed: **Nov. 3, 1993**

[52] U.S. Cl. **D13/164; D13/184**

[58] Field of Search D13/152, 184,
D13/162, 164; D14/240; 174/50, 52.1,
66; 220/3.8, 241

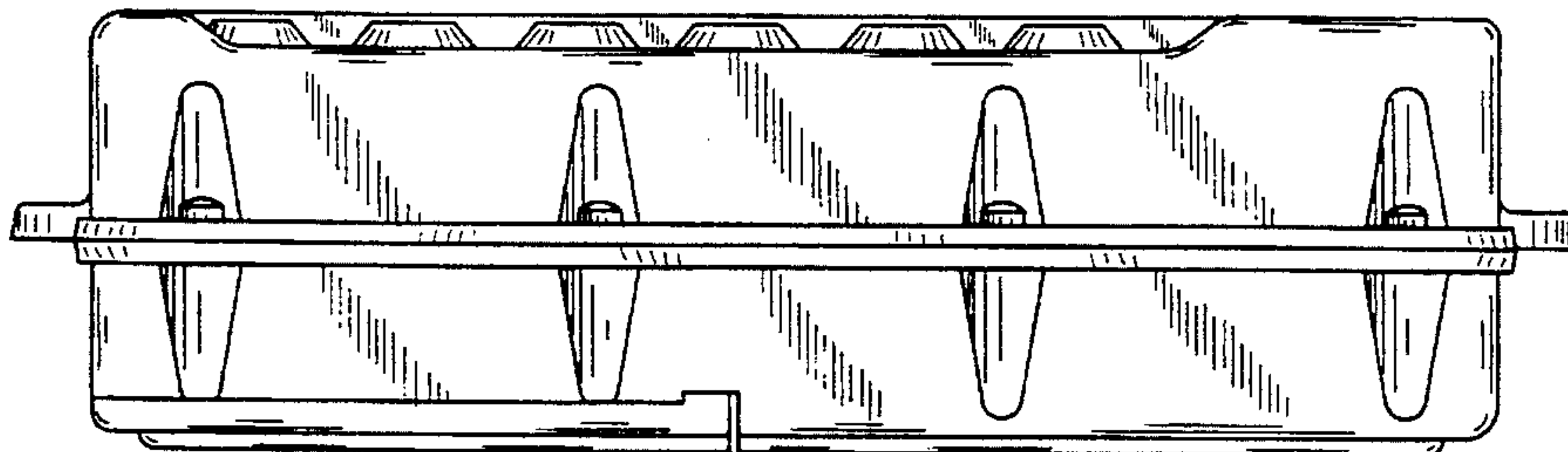
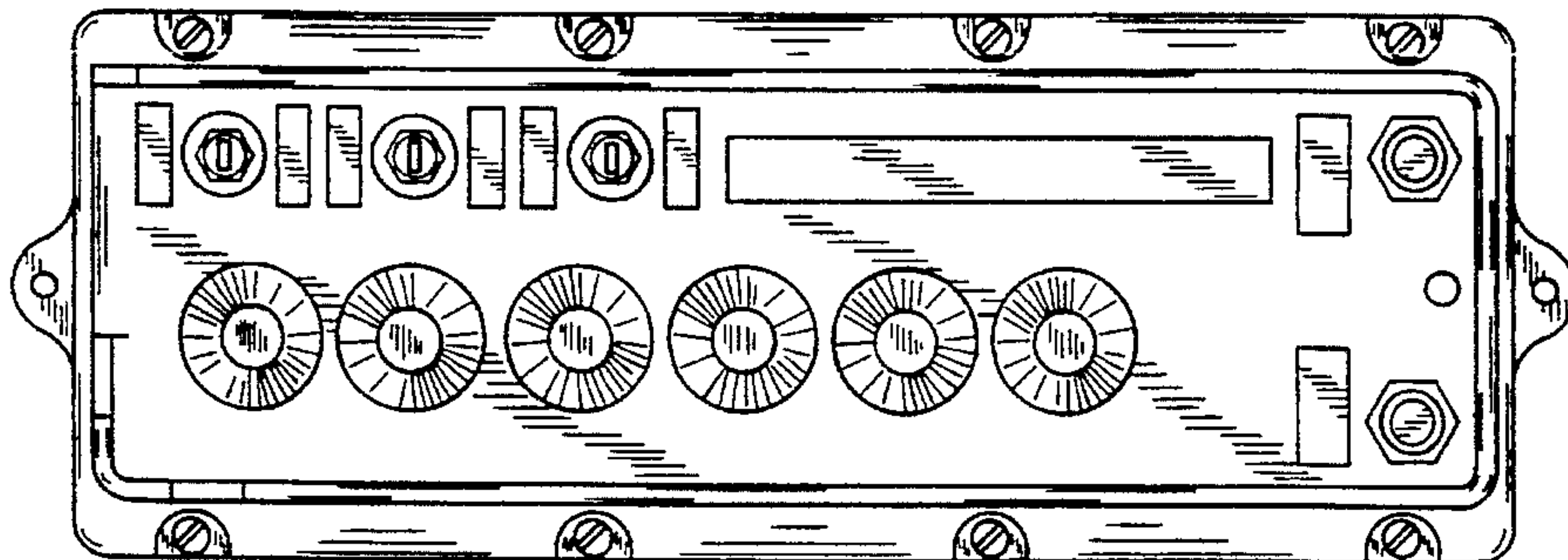
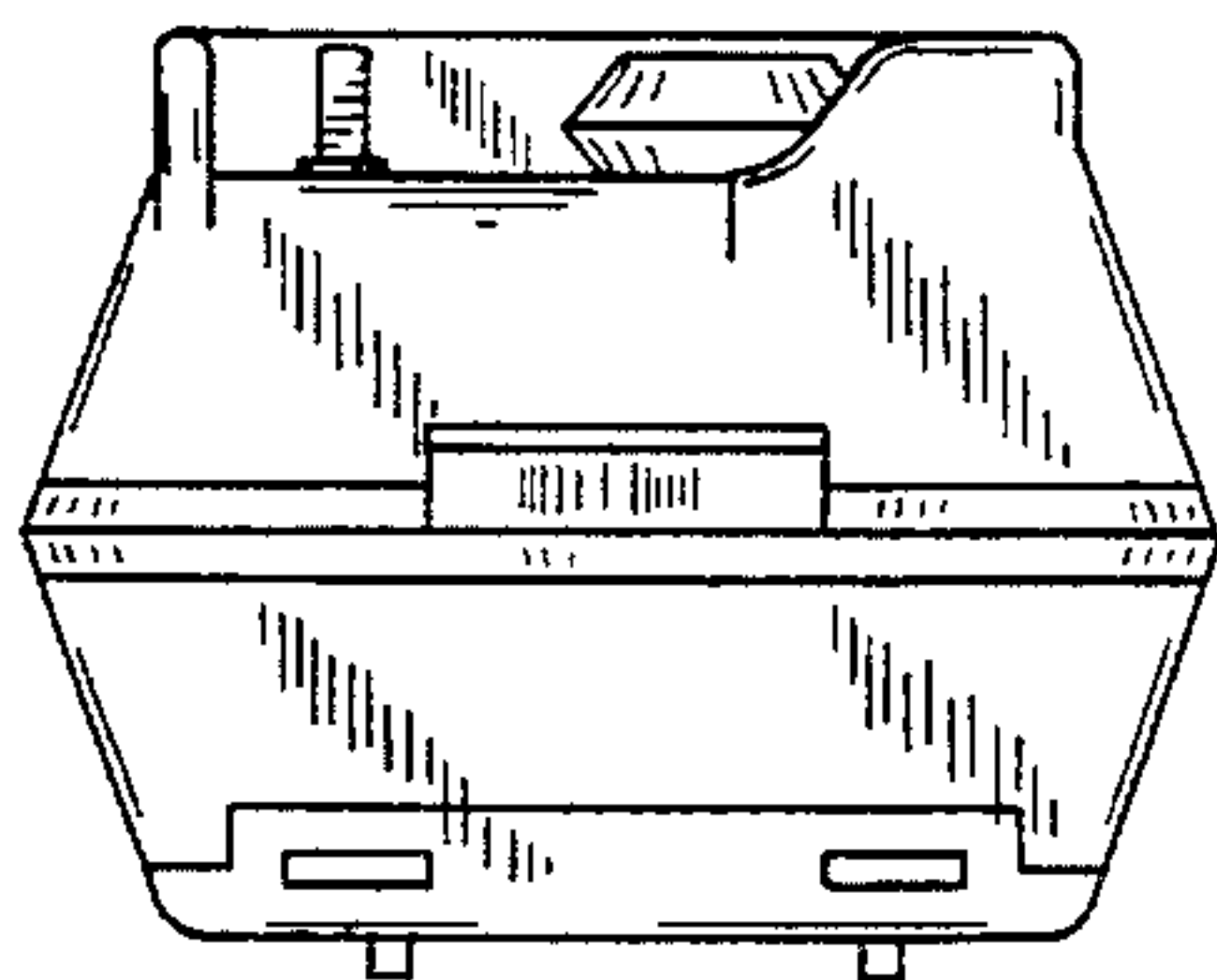
FIG. 1 is a left side elevation of the control box for electronic equipment;
FIG. 2 is a bottom end elevation of the control box for electronic equipment;
FIG. 3 is a plan view of the front of the control box for electronic equipment;
FIG. 4 is a top end elevation of the control box for electronic equipment;
FIG. 5 is a right side elevation of the control box for electronic equipment; and,
FIG. 6 is a plan view of the back of the control box for electronic equipment.

[56] **References Cited**

U.S. PATENT DOCUMENTS

D. 225,644	12/1972	Beach	D13/184
D. 274,721	7/1984	Smith	D14/240
D. 311,723	10/1990	Eggleston et al.	D13/184 X
D. 312,618	12/1990	Ambros	D13/184
D. 336,074	6/1993	Friend et al.	D13/184

1 Claim, 2 Drawing Sheets



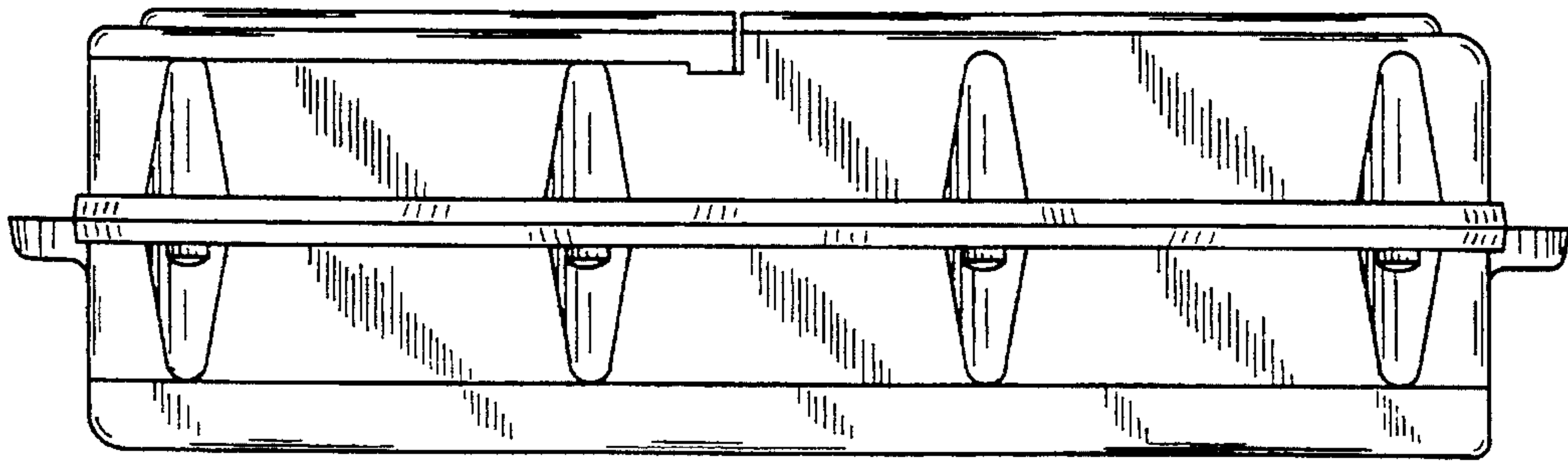


FIG. 1

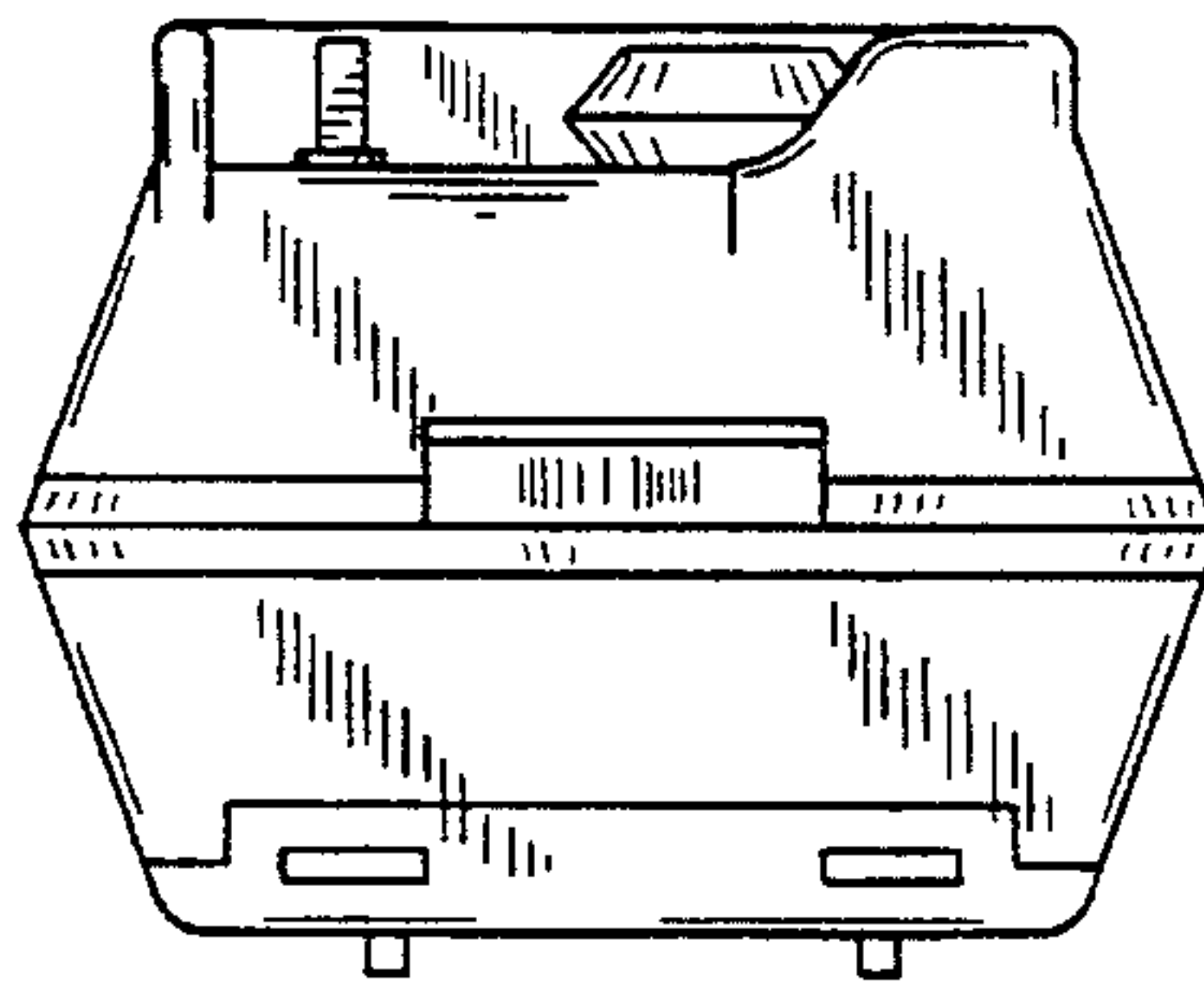


FIG. 2

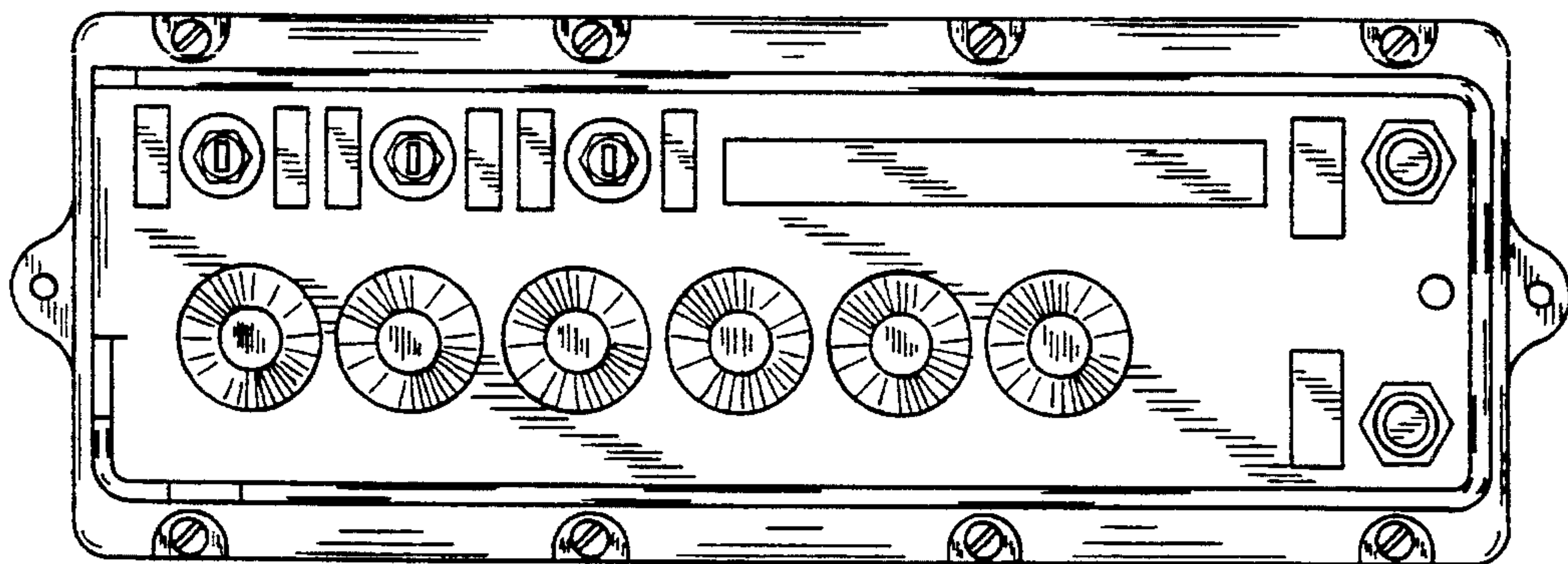


FIG. 3

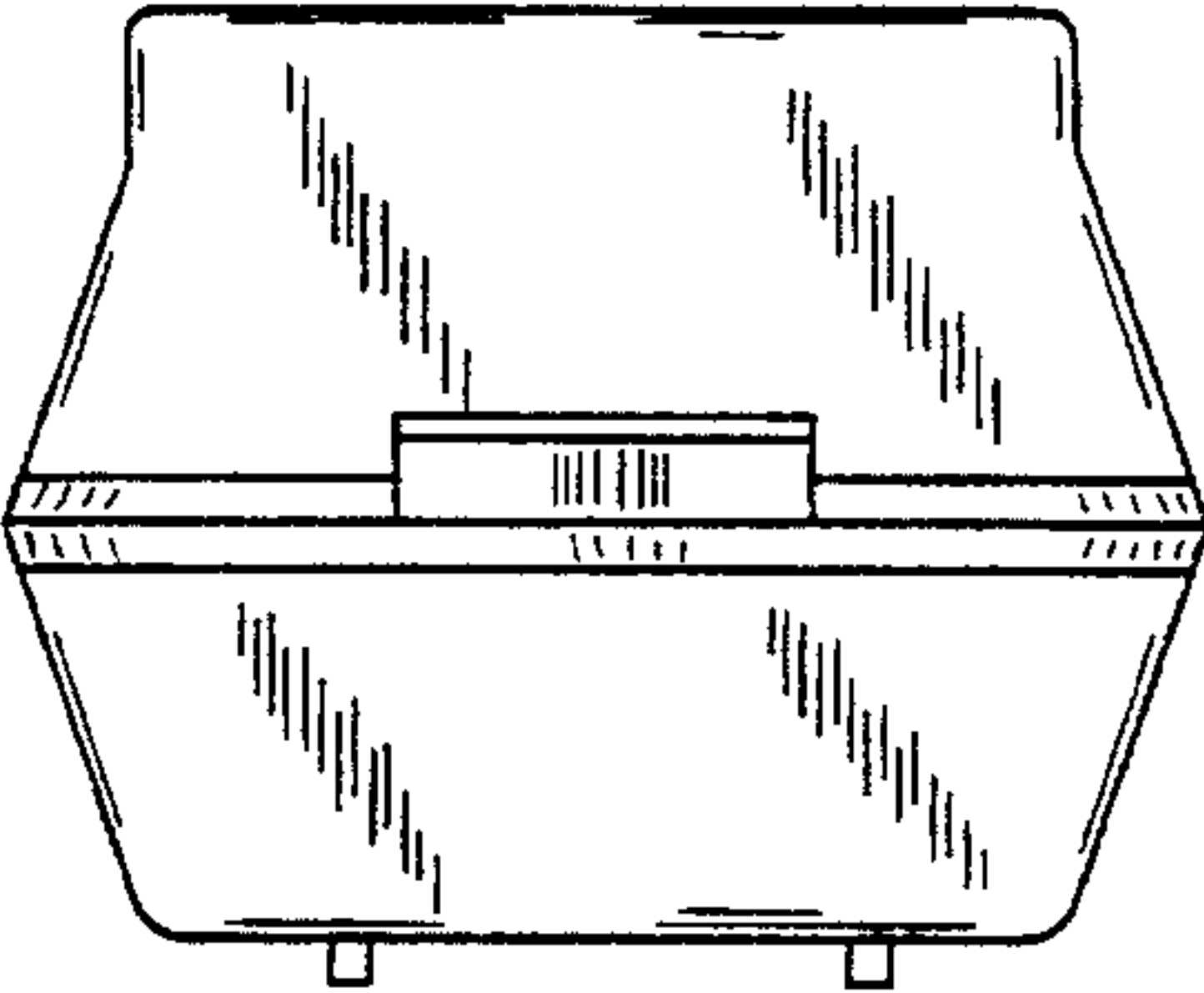


FIG. 4

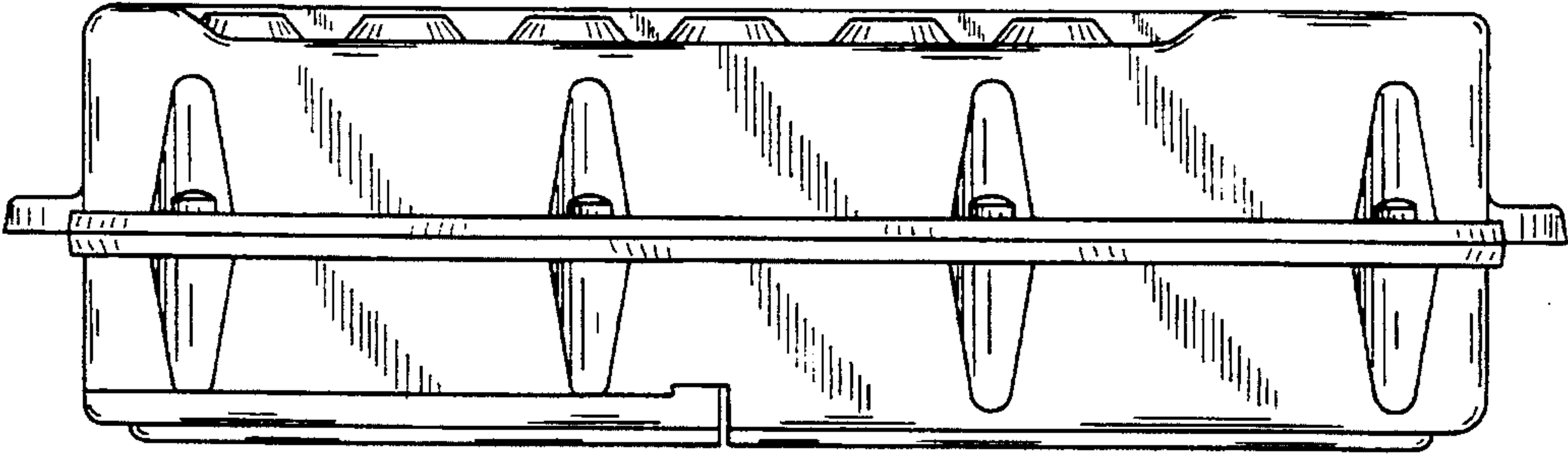


FIG. 5

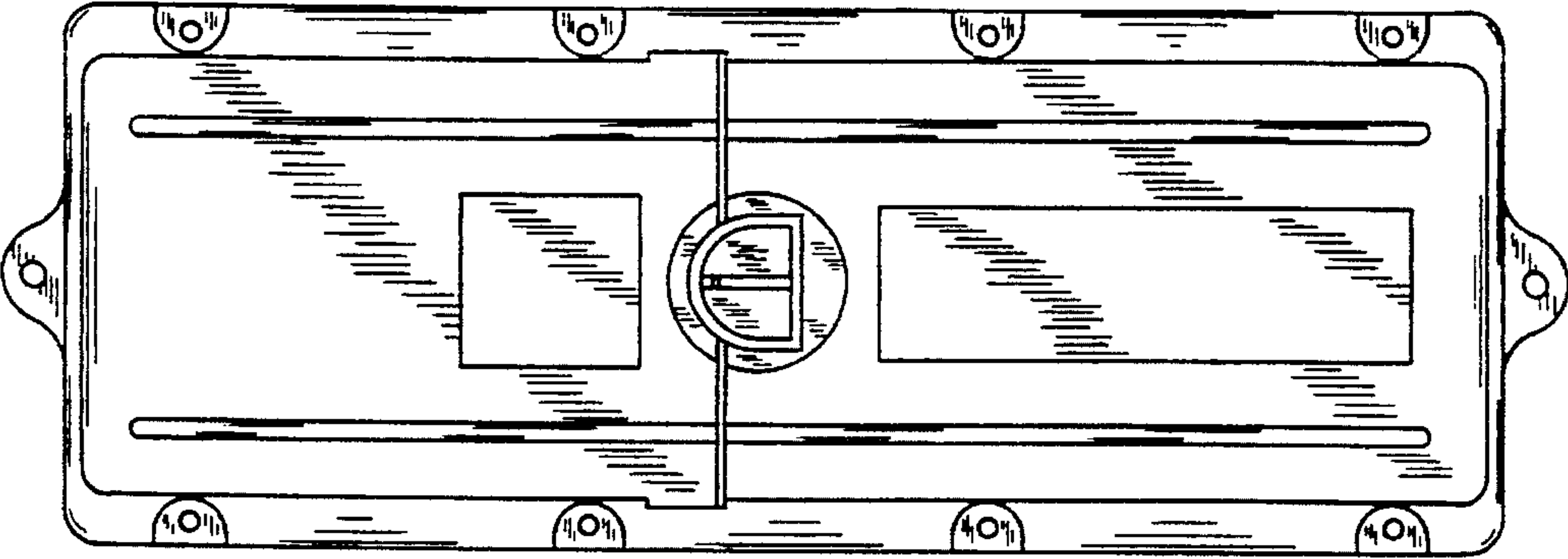


FIG. 6