



US00D371110S

# United States Patent [19]

[11] Patent Number: **Des. 371,110**

Harris et al.

[45] Date of Patent: **\*\*Jun. 25, 1996**

[54] **POWER CONVERTER**

[75] Inventors: **Philip M. Harris**, San Diego, Calif.;  
**Paul A. Jeffries**, Plano, Tex.

[73] Assignee: **Natel Engineering Company, Inc.**,  
Simi Valley, Calif.

[\*\*] Term: **14 Years**

[21] Appl. No.: **34,905**

[22] Filed: **Feb. 15, 1995**

[52] U.S. Cl. .... **D13/110**

[58] Field of Search ..... D13/110; 363/15,  
363/34, 143, 146; 336/107

Vicor power supplies on p. 115 of *EDN* May 1990.

Amplifier on p. 27 of *CWY Electronics* catalog.

Power converter component on p. 20 of *Vicor 1991 Product Catalog*.

Power converter component on pp. VE108, 109 and 1018 of *Vicor 1994 Product Catalog*.

*Primary Examiner*—Joel Sincavage

*Attorney, Agent, or Firm*—Ross, Clapp, Korn & Montgomery

[57] **CLAIM**

The ornamental design for "power converter", as shown and described.

[56] **References Cited**

**U.S. PATENT DOCUMENTS**

D. 224,971	10/1972	Projain et al. ....	D13/2
D. 297,928	10/1988	Harpley et al. ....	D13/4
D. 339,104	9/1993	Jackson .....	D13/110
D. 363,056	10/1995	Vinciarelli et al. ....	D13/110
D. 363,268	10/1995	Rodriguez .....	D13/110
D. 365,081	12/1995	Rodriguez .....	D13/110
2,876,424	9/1955	Stiler .....	336/192
3,030,597	4/1962	Piaia, Jr. et al. ....	336/107 X
4,012,672	3/1977	Douglas et al. ....	361/422
4,487,999	12/1984	Baird et al. ....	174/52
4,594,644	6/1986	Painter .....	361/417
4,656,450	4/1987	Jarosz .....	336/83
4,956,561	9/1990	Tamer .....	307/10.1
5,008,956	4/1991	Hemmie .....	455/318
5,043,211	8/1991	Yoshizumi et al. ....	428/331
5,075,821	12/1991	McDonnal .....	361/386
5,119,266	6/1992	Petry .....	361/111

**OTHER PUBLICATIONS**

DC-DC converter in RO Associates ad of *EDN* Apr. 27, 1989.

AC-DC power supplies in Pico Electronics ad on p. 220 of *EDN* of May 10, 1990.

**DESCRIPTION**

FIG. 1 is a perspective view of a power converter showing our new design;

FIG. 2 is an end elevational view thereof, the opposite end being the same except for the thickness of the outer pins;

FIG. 3 is a bottom plan view thereof;

FIG. 4 is a top plan view thereof;

FIG. 5 is a side elevational view thereof;

FIG. 6 is a side elevational view thereof, the opposite side shown in FIG. 5;

FIG. 7 is a perspective view of a second embodiment of a power converter showing our new design;

FIG. 8 is an end elevational view thereof, the opposite end being the same except for the thickness of the outer pins;

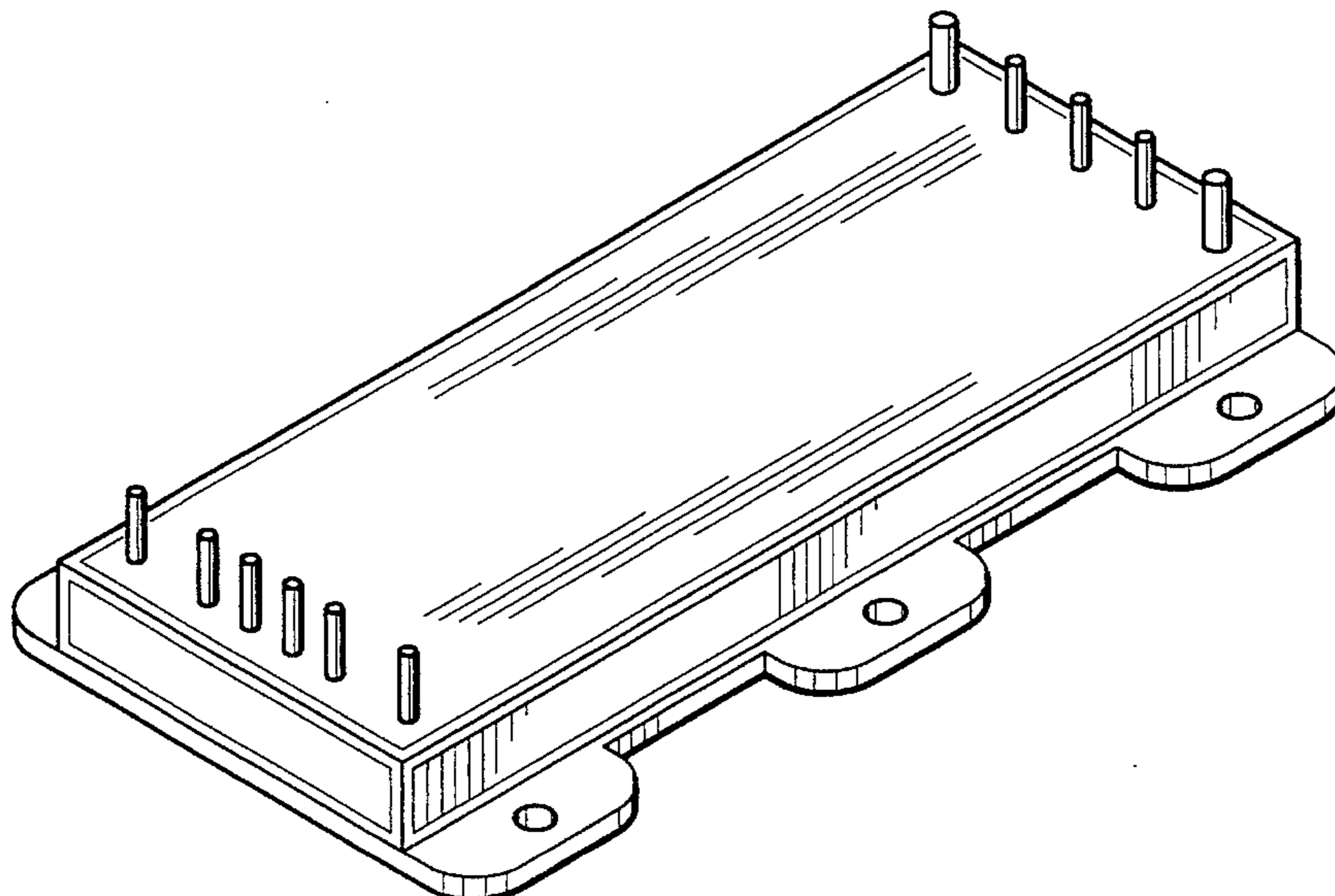
FIG. 9 is a bottom plan view thereof;

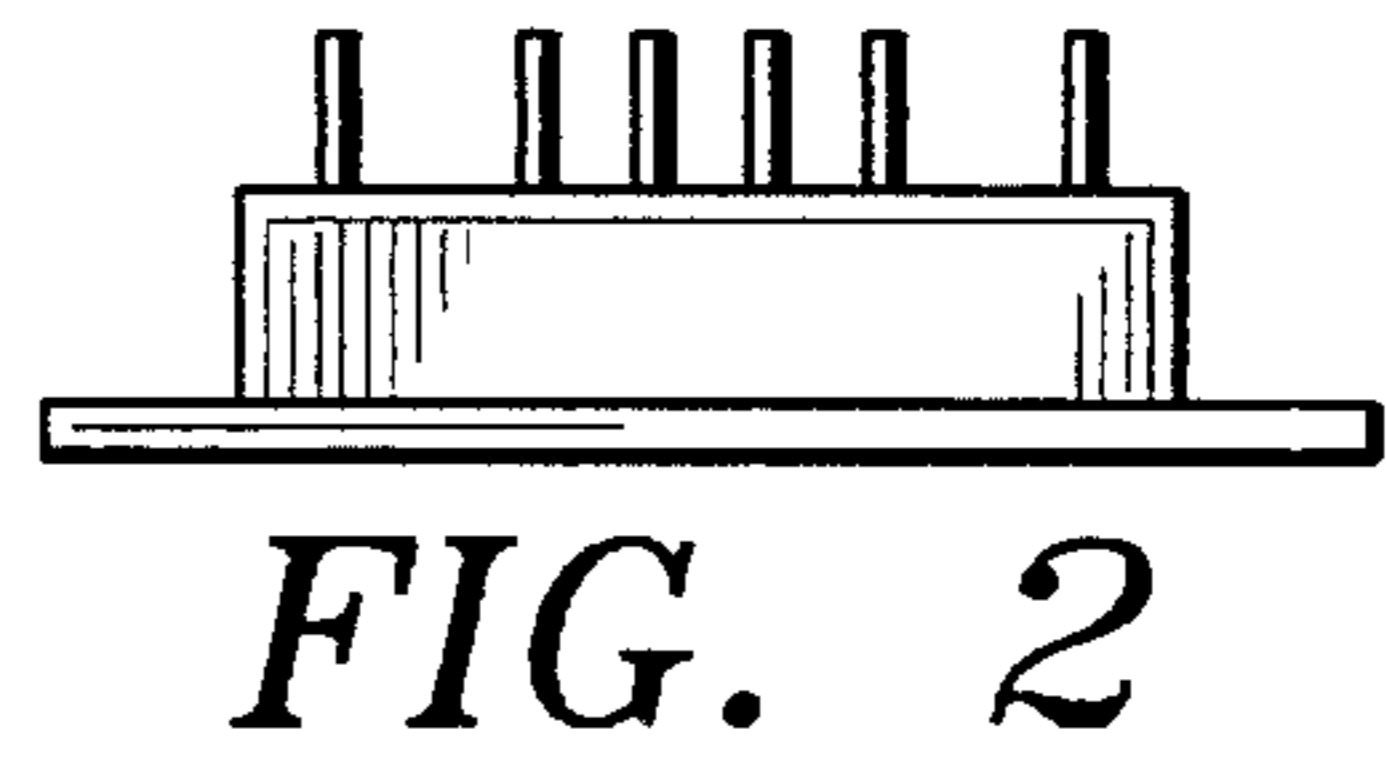
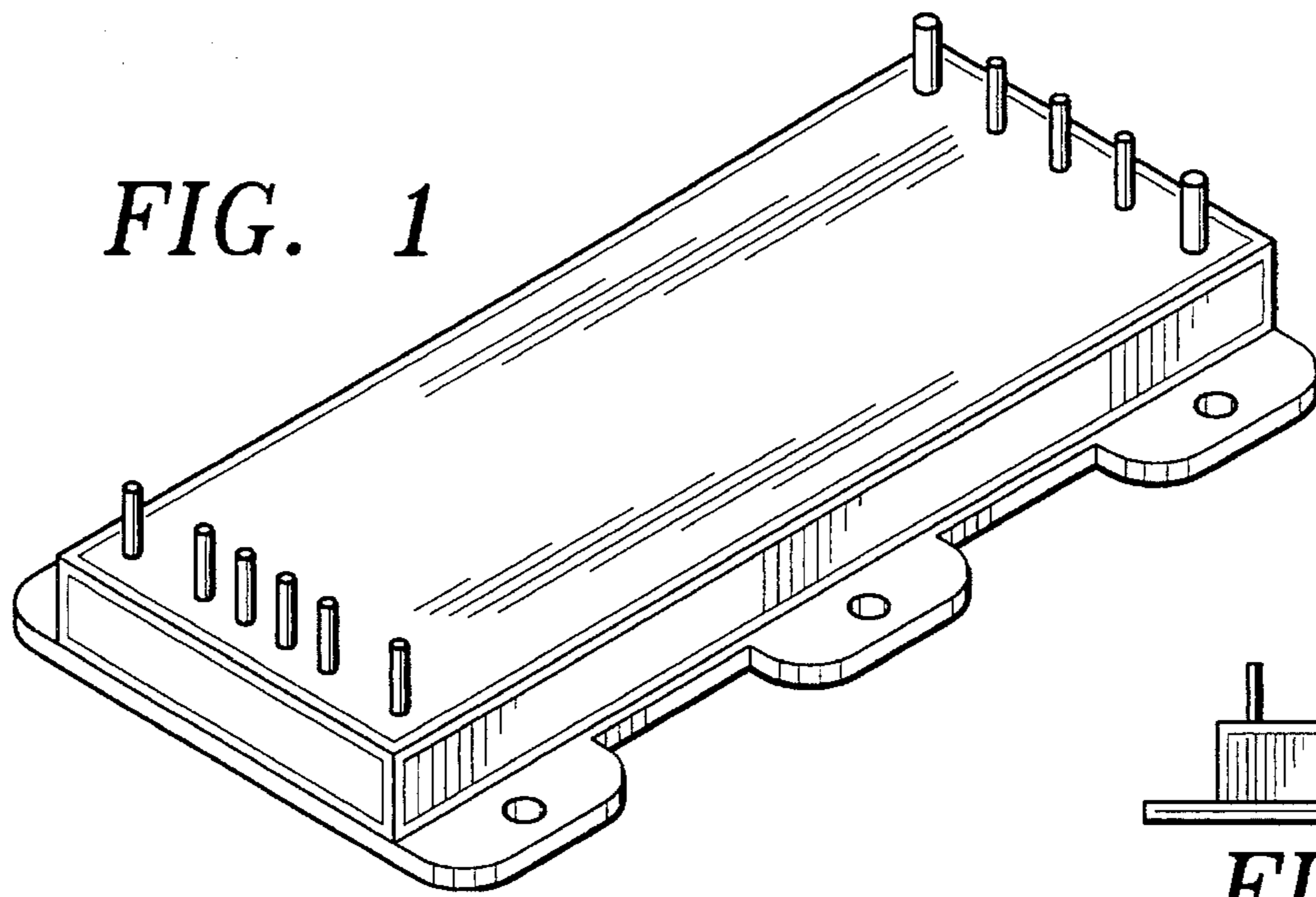
FIG. 10 is a top plan view thereof;

FIG. 11 is a side elevational view thereof; and,

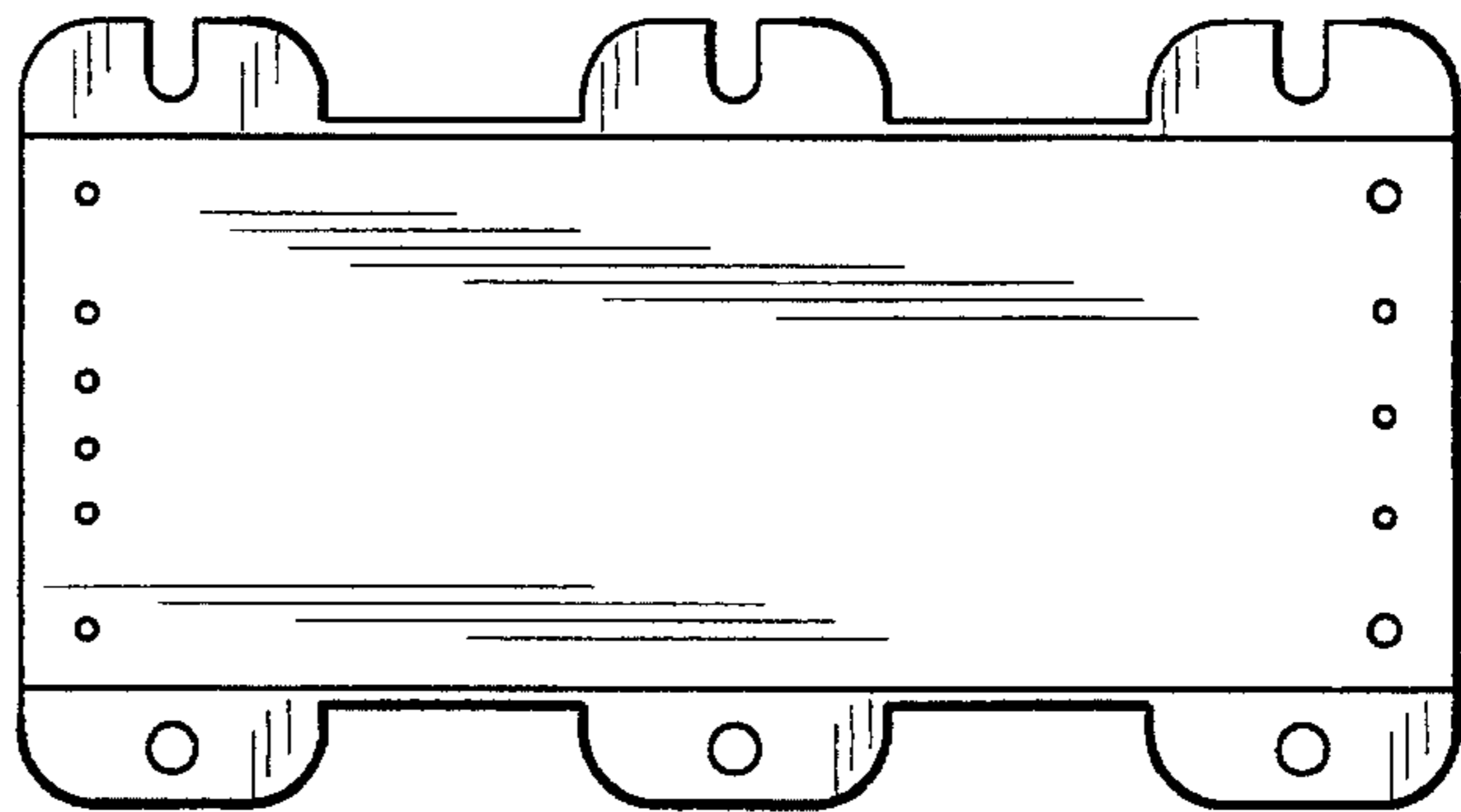
FIG. 12 is a side elevational view thereof, the opposite side shown in FIG. 11.

**1 Claim, 2 Drawing Sheets**

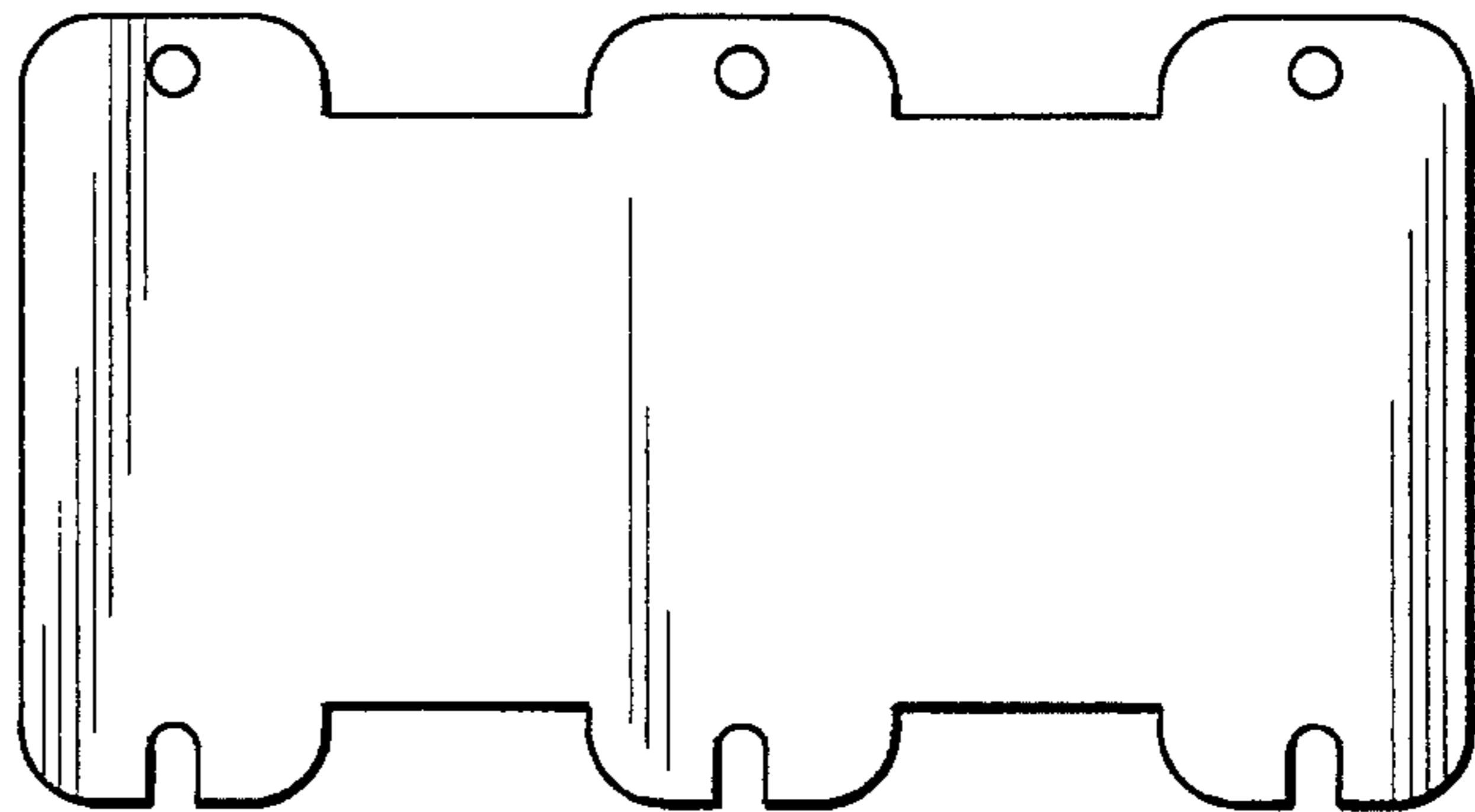




*FIG. 3*



*FIG. 4*



*FIG. 5*



*FIG. 6*

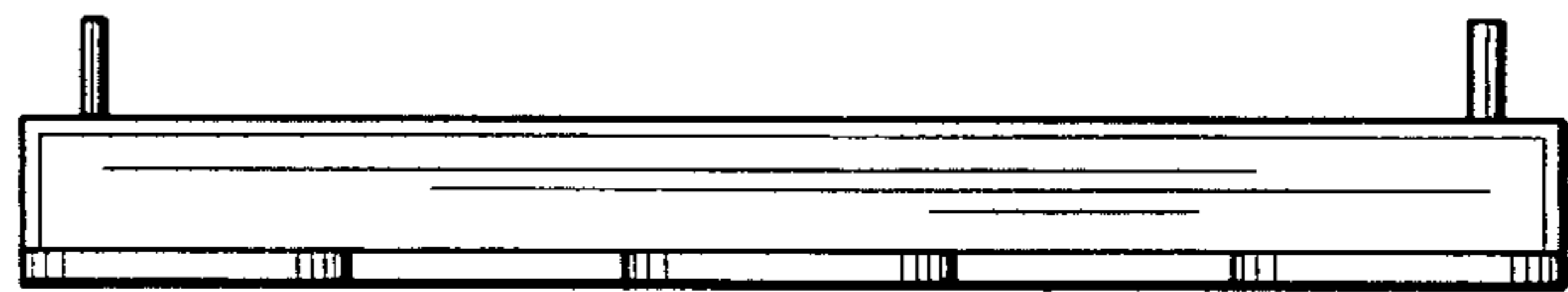


FIG. 7

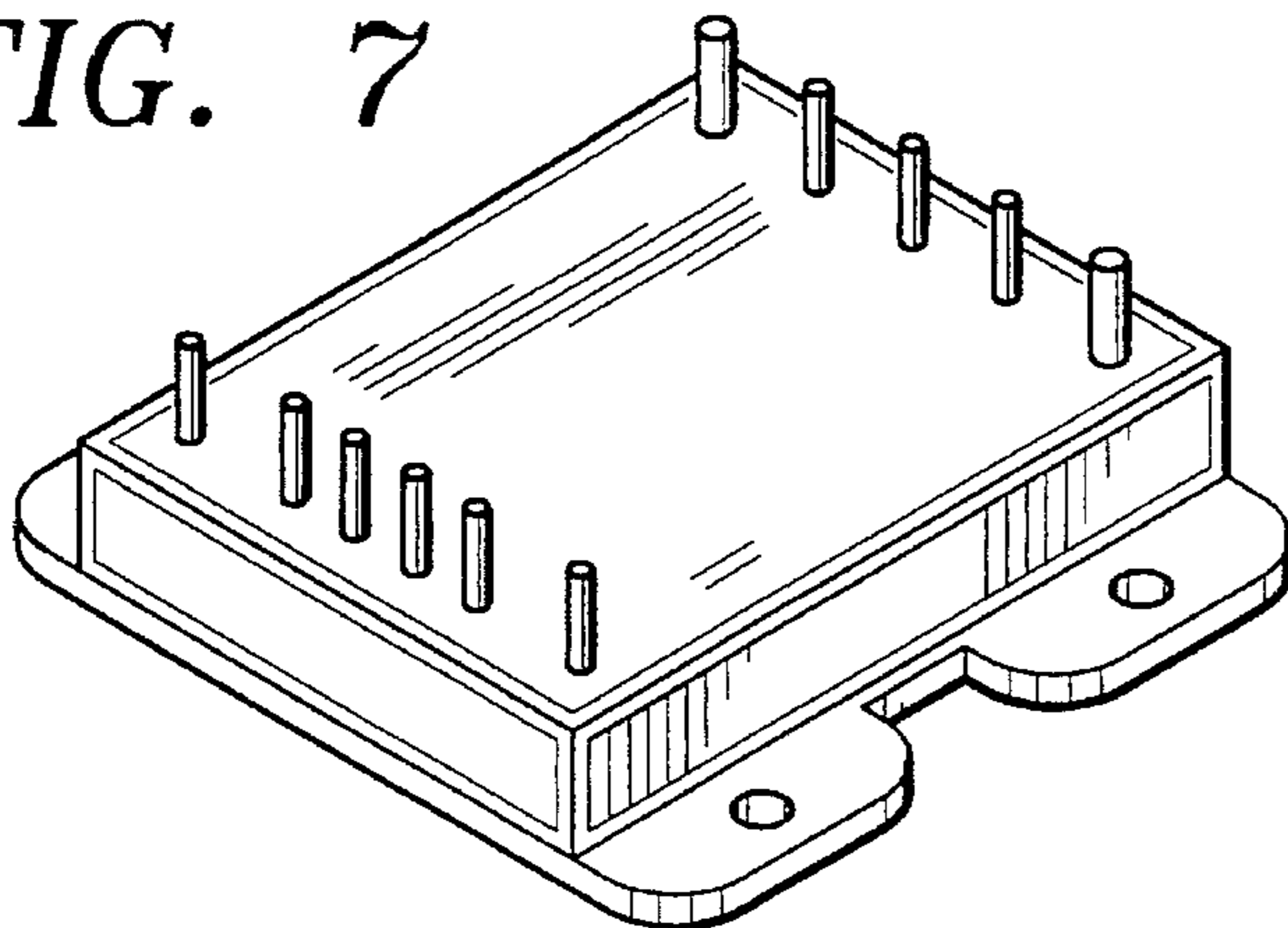


FIG. 8

FIG. 9

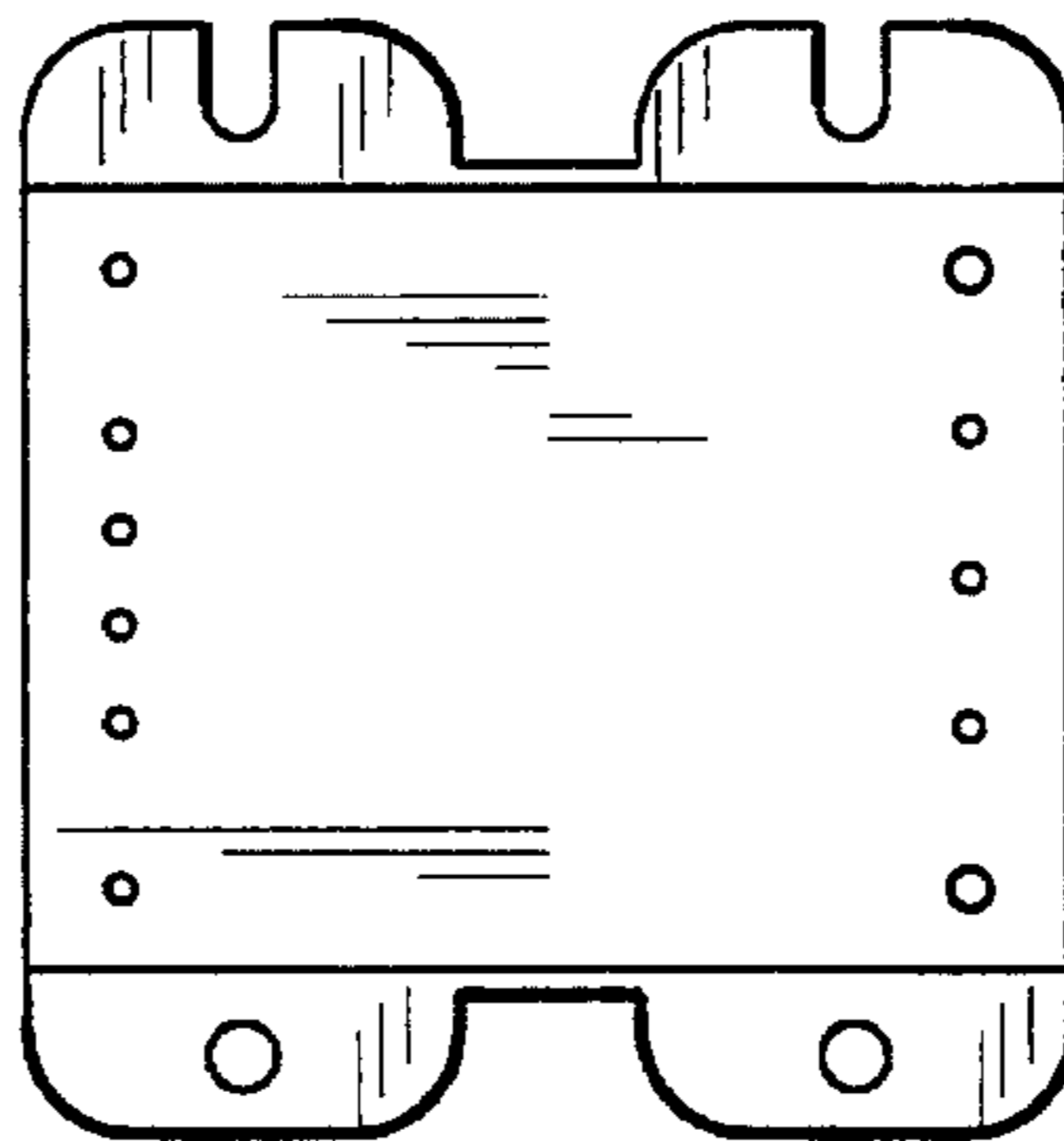


FIG. 10

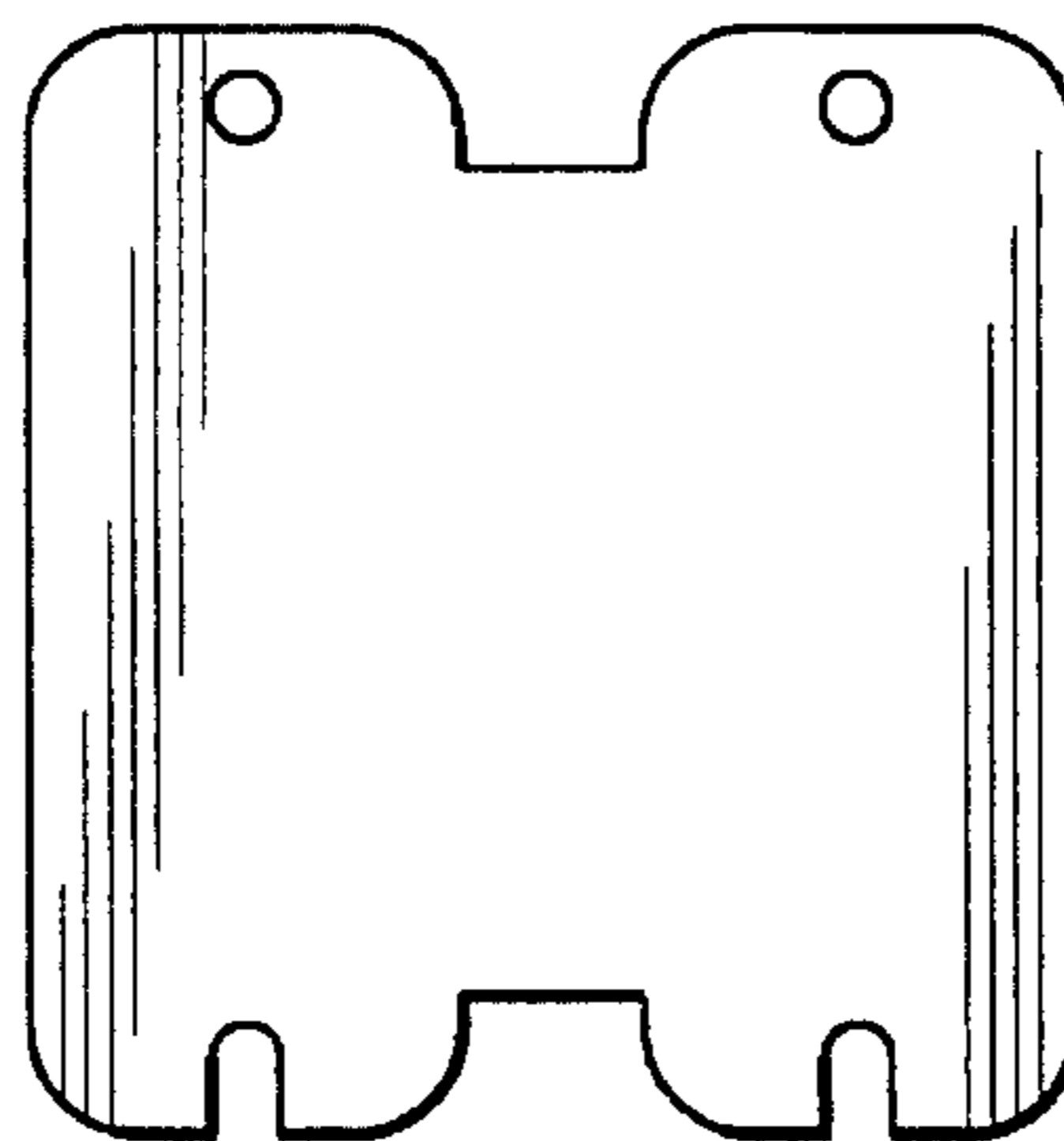


FIG. 11



FIG. 12

