



US00D371109S

United States Patent [19]

Schlattl

[11] Patent Number: **Des. 371,109**

[45] Date of Patent: ****Jun. 25, 1996**

[54] **TOOLS AND ACCESSORIES STORAGE TRAY FOR USE WITH VEHICLES**

[76] Inventor: **Alice Schlattl**, Osserstrasse 2, 94162 Ruderting, Germany

[**] Term: **14 Years**

[21] Appl. No.: **36,930**

[22] Filed: **Mar. 29, 1995**

[30] **Foreign Application Priority Data**

Sep. 29, 1994 [DE] Germany M9407584.0

[52] **U.S. Cl.** **D12/425**

[58] **Field of Search** D12/423, 424, D12/425, 421; 296/37.1, 37.16; 224/539, 275, 542, 328, 311, 533; 248/206.1, 224.1, 224.2; 220/223, 4.31

[56] **References Cited**

U.S. PATENT DOCUMENTS

- D. 257,914 1/1981 Wooters D12/421
- D. 285,998 10/1986 Langensiepen D12/424
- D. 305,878 2/1990 Schneider D12/423

- D. 314,738 2/1991 Stiles D12/424
- D. 314,739 2/1991 Mallone D12/424
- 4,884,733 12/1989 Geeves 224/328
- 4,944,544 7/1990 Duk 296/37.1
- 5,215,205 6/1993 Behlman 224/542

Primary Examiner—A. Hugo Word
Assistant Examiner—M. Brown
Attorney, Agent, or Firm—Rosenman & Colin

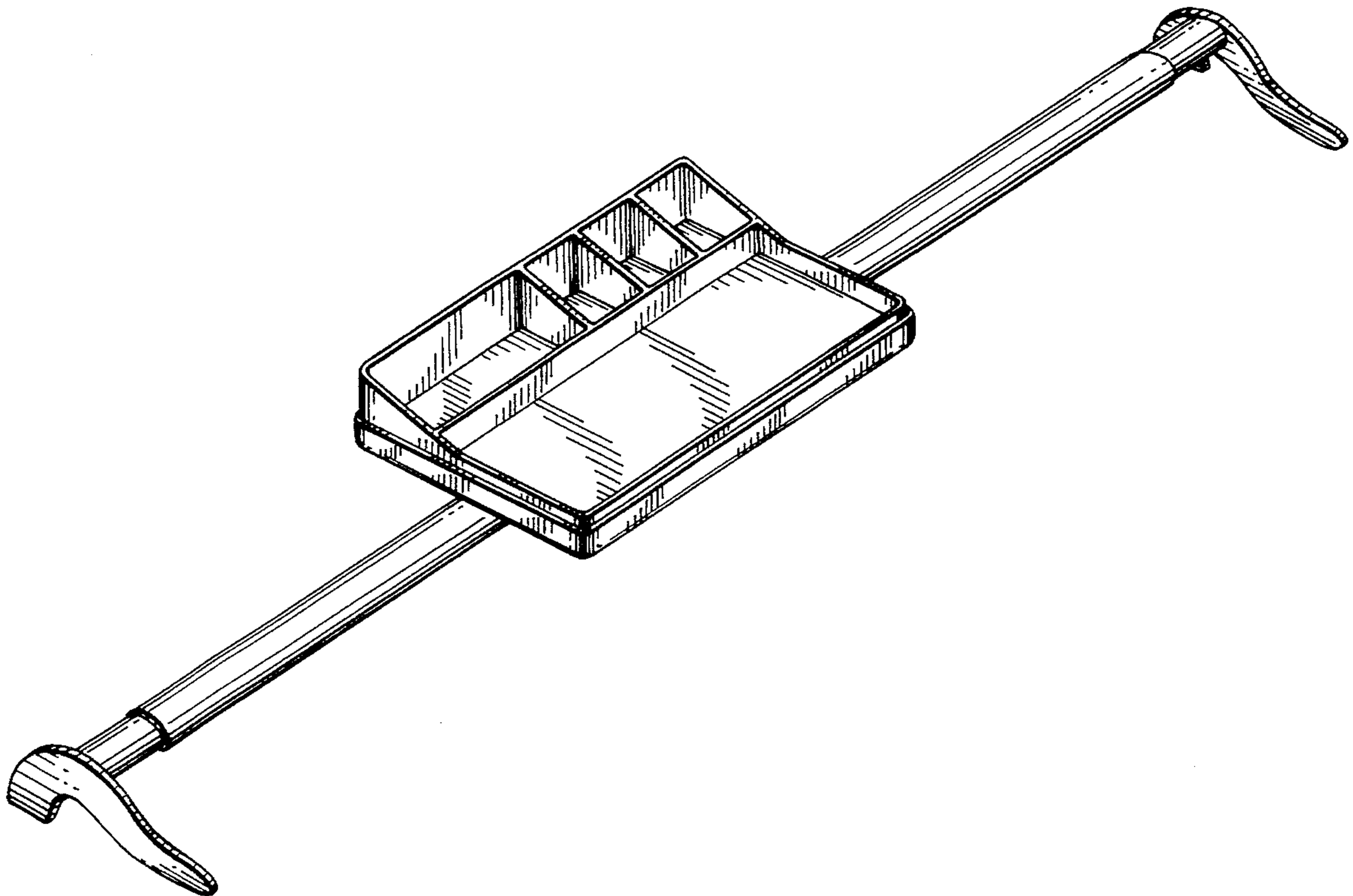
[57] **CLAIM**

The ornamental design for a tools and accessories storage tray for use with vehicles, as shown and described.

DESCRIPTION

FIG. 1 is a top, front, left side, perspective view of a tools and accessories storage tray for use with vehicles showing my new design;
FIG. 2 is a top plan view thereof;
FIG. 3 is a right side elevational view thereof;
FIG. 4 is a front elevational view thereof;
FIG. 5 is a left side elevational view thereof;
FIG. 6 is a rear elevational view thereof; and,
FIG. 7 is a bottom plan view thereof.

1 Claim, 4 Drawing Sheets



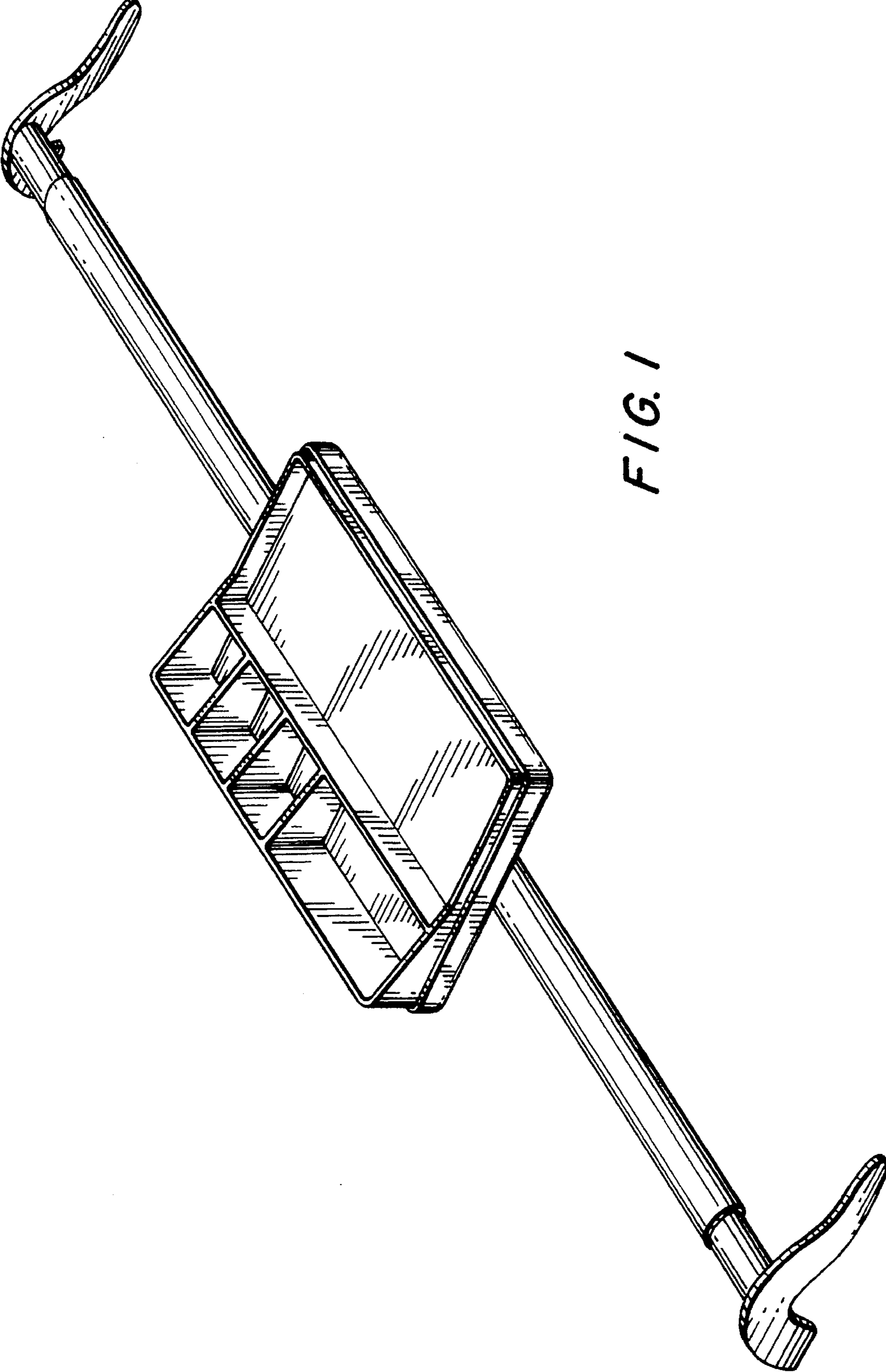


FIG. 1

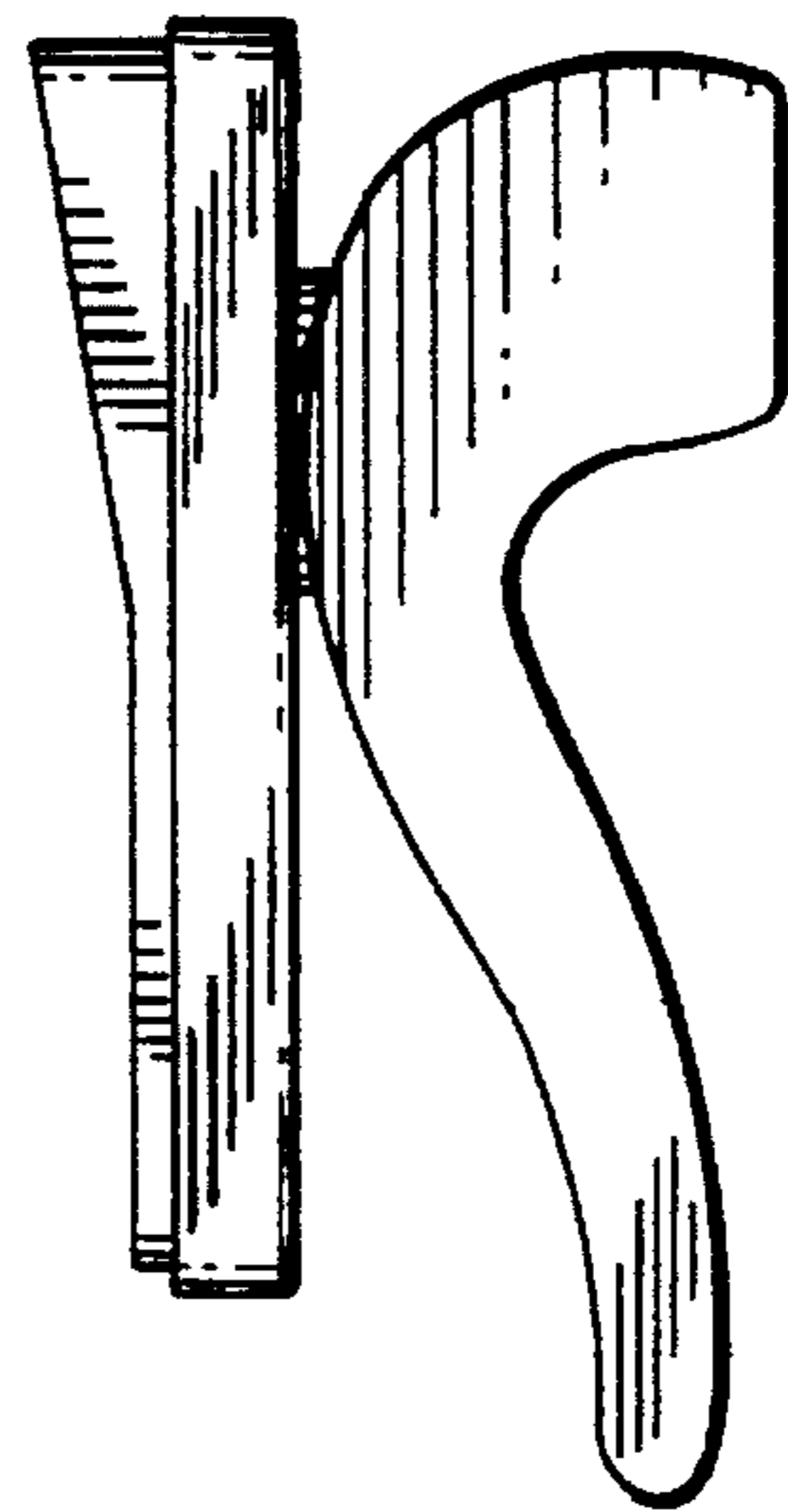
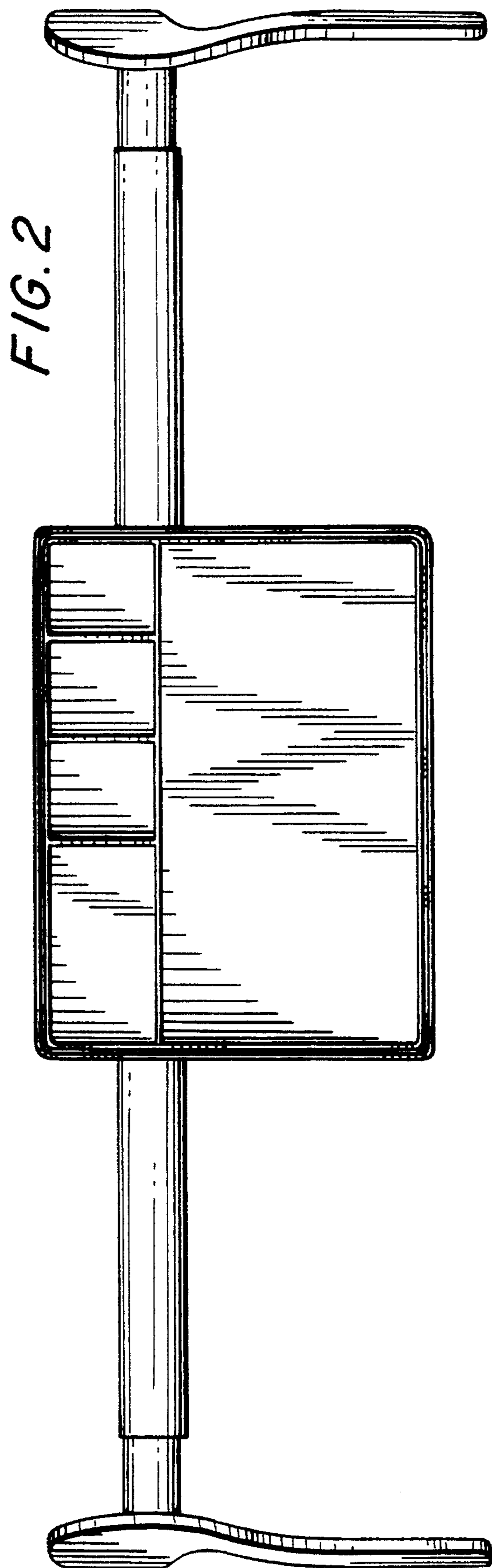


FIG. 3

FIG. 4

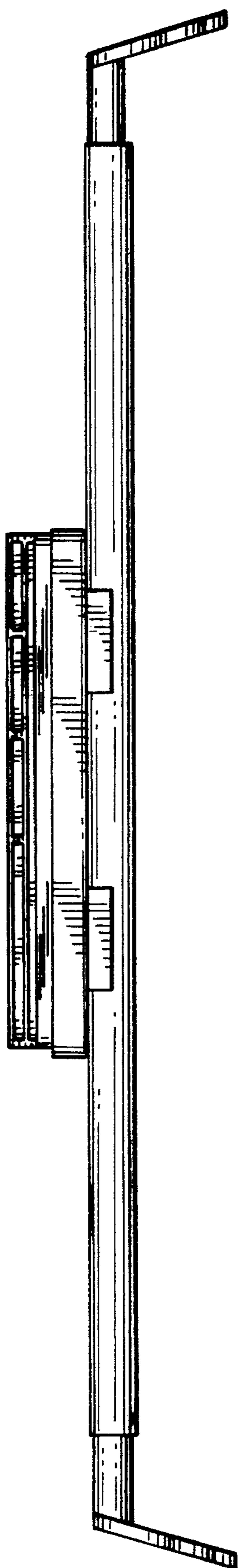


FIG. 5

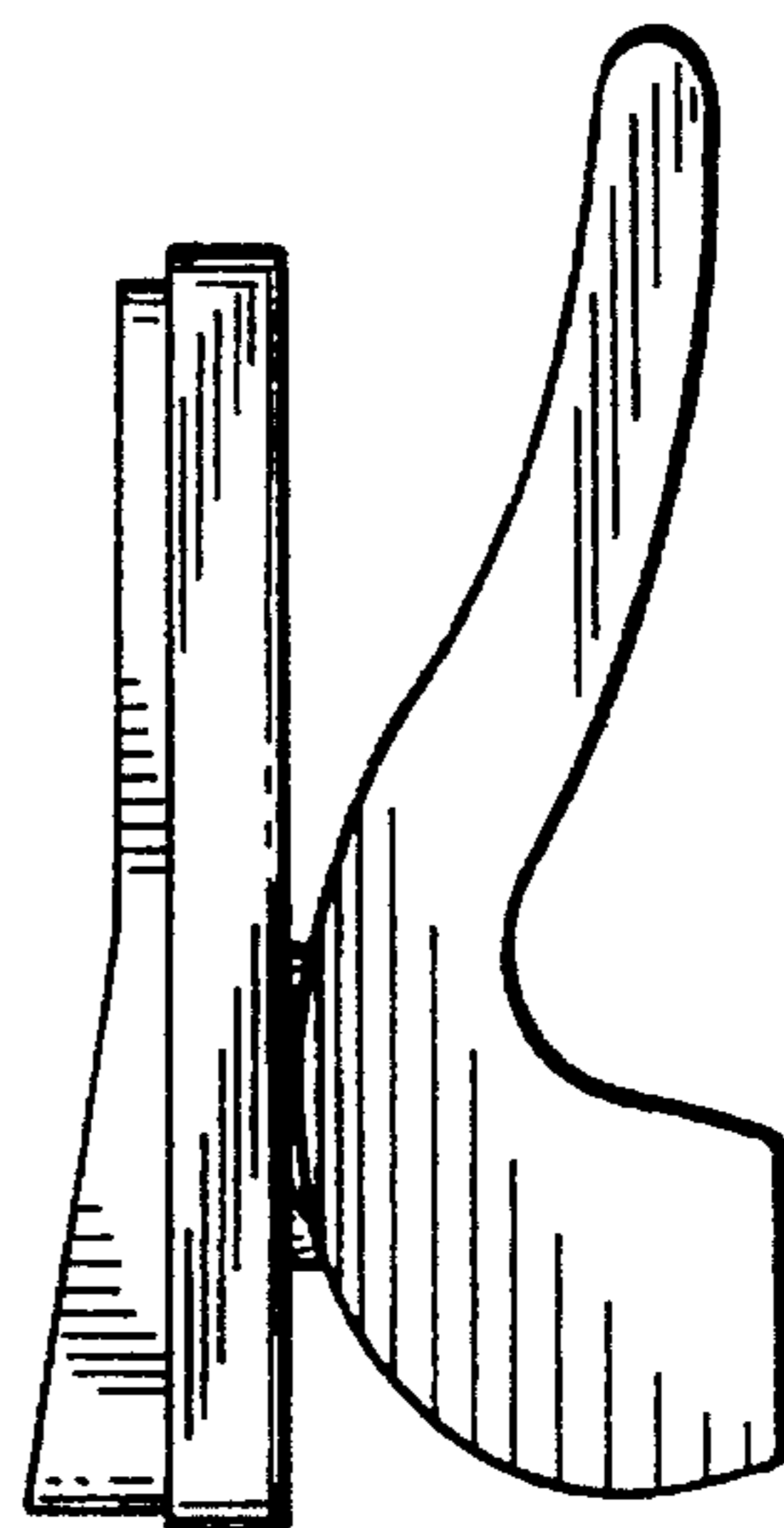


FIG. 6

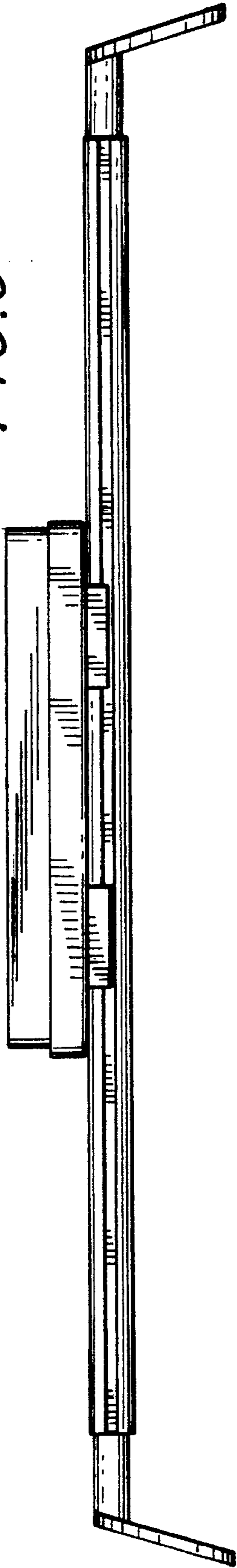


FIG. 7

