



US00D371108S

United States Patent [19]

[11] Patent Number: **Des. 371,108**

Baker

[45] Date of Patent: ****Jun. 25, 1996**

[54] **CHAIR PACK**

[76] Inventor: **Luann E. M. Baker**, 3217 Mission Beach Dr., Marysville, Wash. 98271

[**] Term: **14 Years**

[21] Appl. No.: **24,368**

[22] Filed: **Jun. 13, 1994**

[52] U.S. Cl. **D12/416; D6/335; D12/409; D3/217**

[58] Field of Search **D12/416, 409; D3/217; D6/335; 224/206, 273, 209, 275, 210, 236, 237, 32 R, 32 A, 153, 155; 190/111**

[56] **References Cited**

U.S. PATENT DOCUMENTS

D. 293,162	12/1987	Carmichael	D12/416
D. 300,883	5/1989	Montandon	D6/335
D. 308,916	7/1990	Dinham	D12/416
D. 312,727	12/1990	Kunewalder	D12/416
D. 338,779	8/1993	Albert	D3/217
D. 346,489	5/1994	Bean et al.	D12/409

D. 360,182	7/1995	Lovett	D12/409
4,096,978	6/1978	Noice	D3/217
4,236,657	12/1980	Brunton	224/153
4,773,574	9/1988	Burgard	224/155
4,921,151	5/1990	Duvall	224/32 A
5,178,310	1/1993	Sowerby	224/153

Primary Examiner—Melody N. Brown

[57] **CLAIM**

The ornamental design for a chair pack, as shown and described.

DESCRIPTION

FIG. 1 is a front elevational view of the chair pack showing my new design;
 FIG. 2 is a rear elevational view thereof;
 FIG. 3 is a left side elevational view showing a use thereof, the broken line showing of a chair for illustrative purposes only and forming no part of the claimed design;
 FIG. 4 is a right side elevational view thereof;
 FIG. 5 is a top plan view thereof; and,
 FIG. 6 is a bottom plan view thereof.

1 Claim, 3 Drawing Sheets

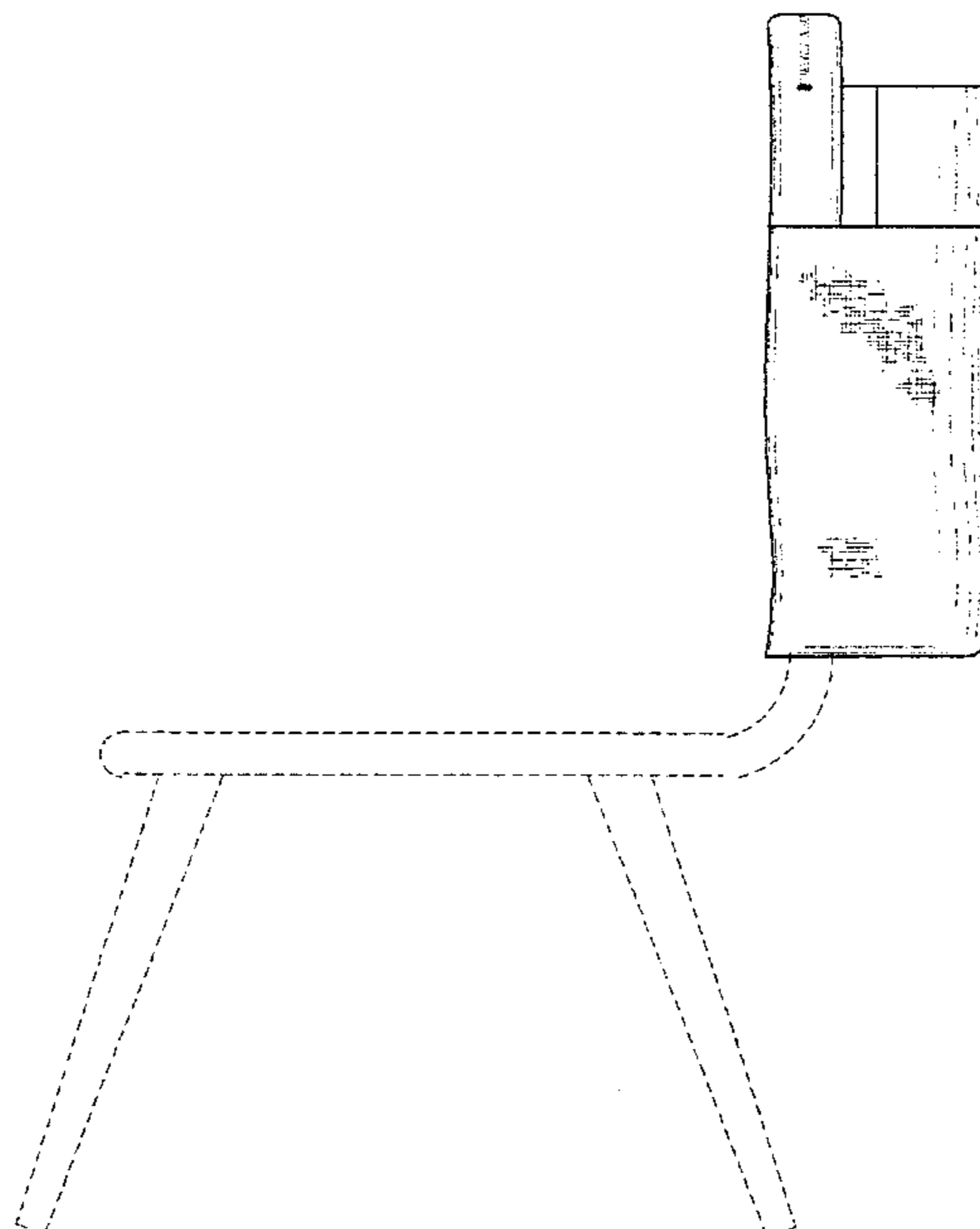
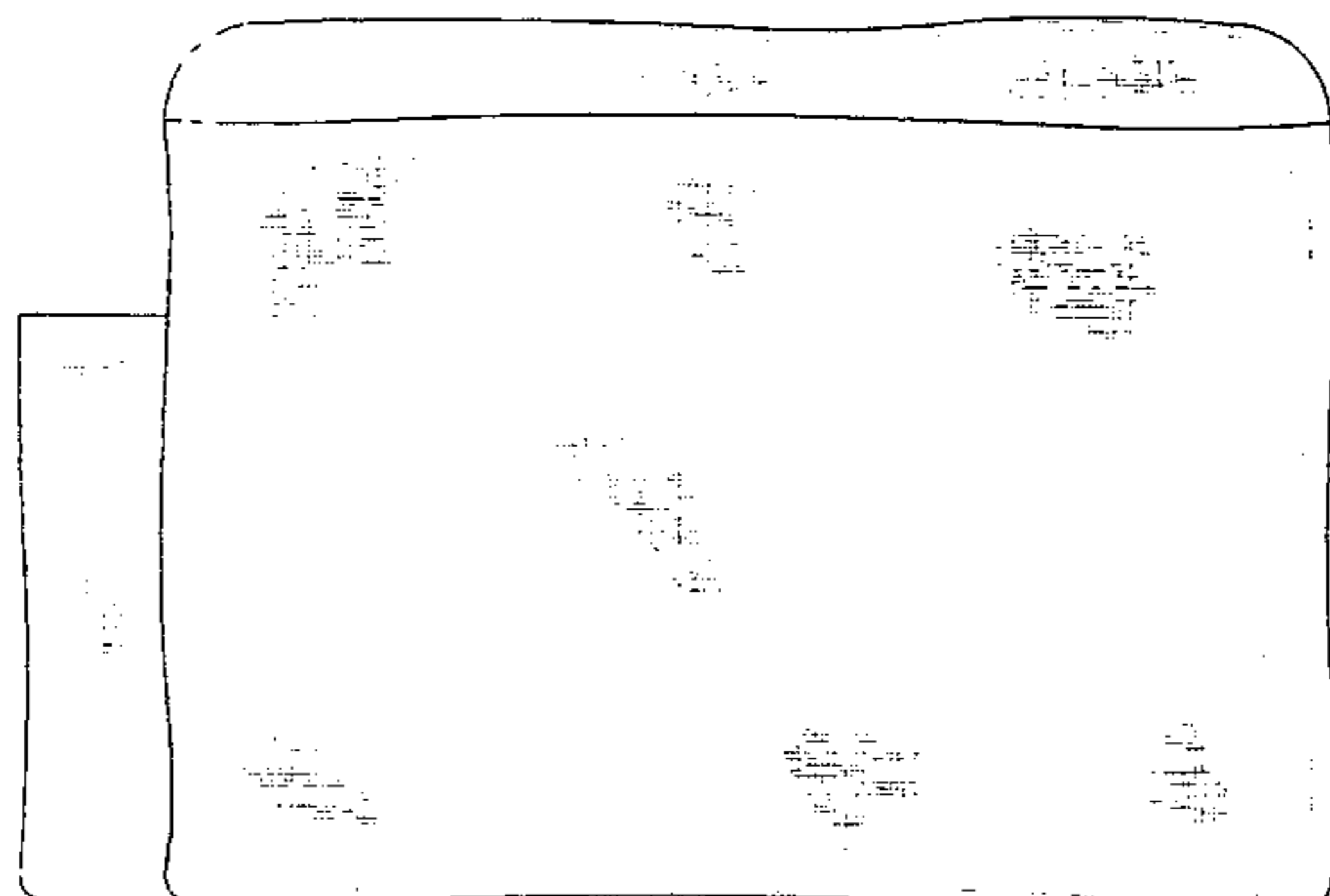


FIG. 1

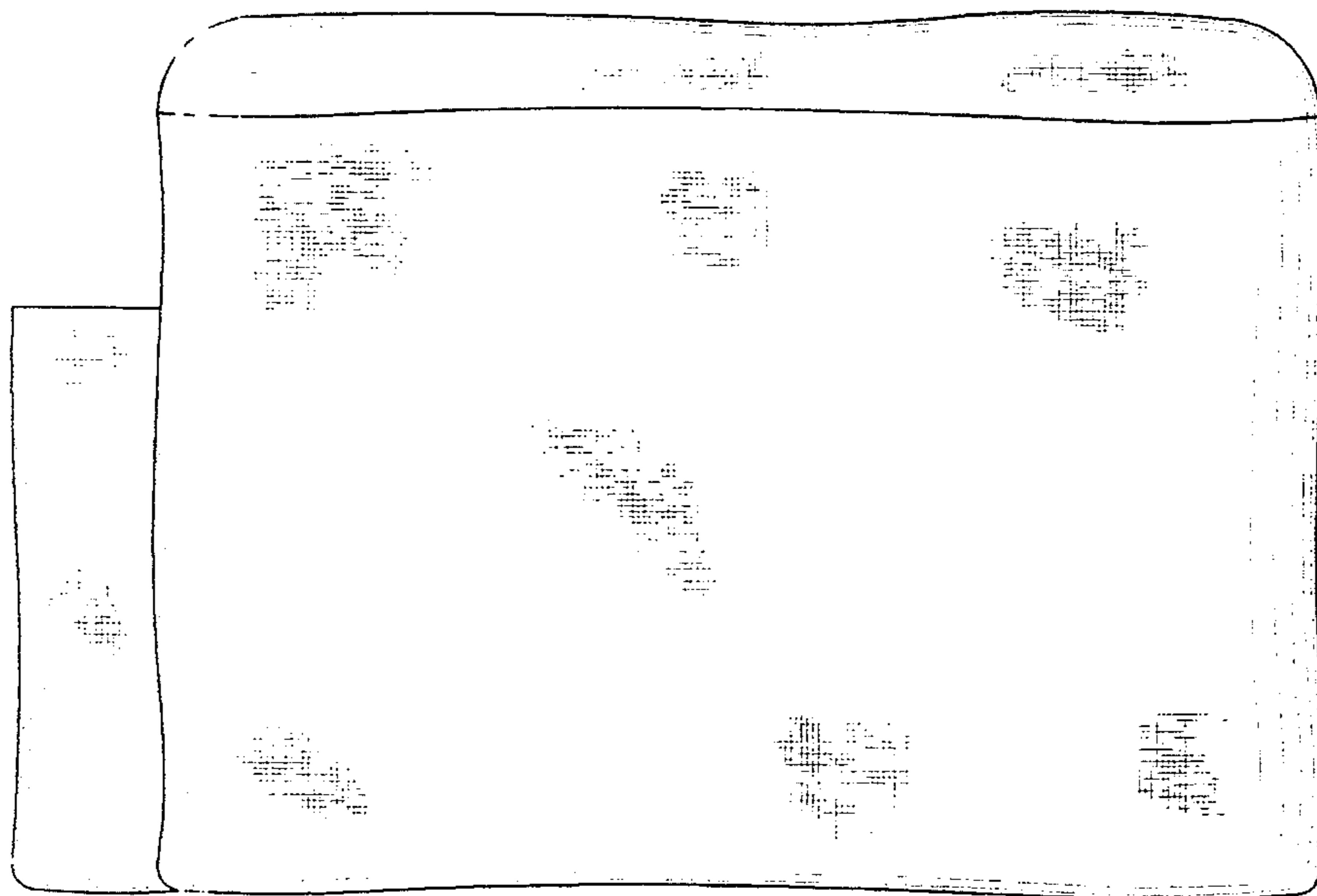


FIG. 2



FIG. 3

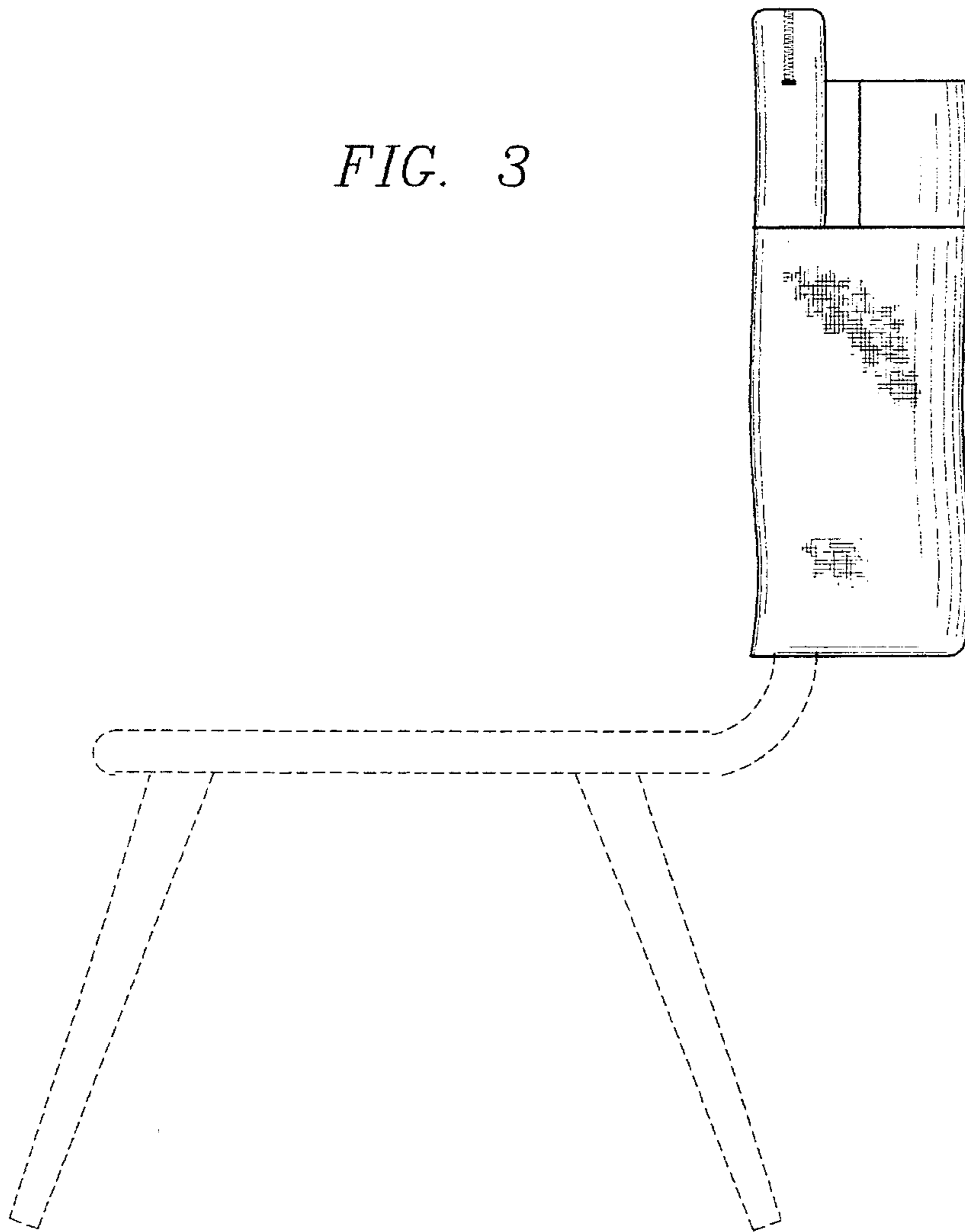


FIG. 4

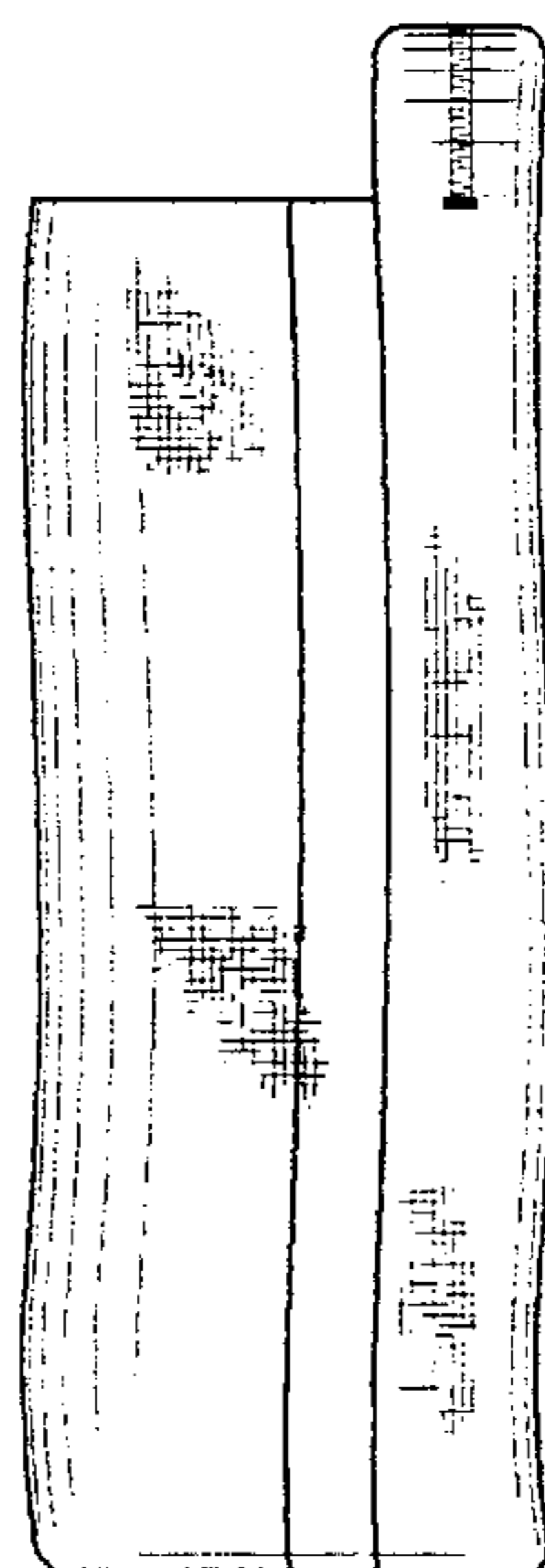


FIG. 5

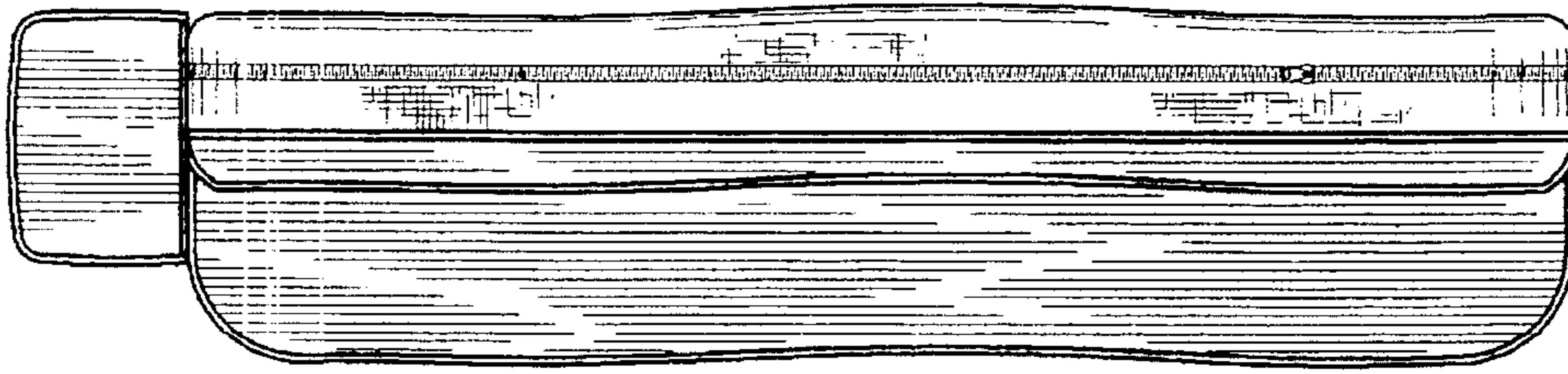


FIG. 6

