



US00D371103S

United States Patent [19]

Mele

[11] Patent Number: **Des. 371,103**

[45] Date of Patent: ****Jun. 25, 1996**

[54] **FORWARD FACING ROWING DEVICE**

Primary Examiner—Kay H. Chin

[76] Inventor: **Peter C. Mele**, P.O. Box 533, Crown Point, N.Y. 12928

[57] **CLAIM**

[**] Term: **14 Years**

The ornamental design for a forward facing rowing device, as shown and described.

[21] Appl. No.: **41,497**

DESCRIPTION

[22] Filed: **Jul. 17, 1995**

[52] U.S. Cl. **D12/317; D12/215**

[58] Field of Search **D12/317; 440/105, 440/104, 102, 103**

FIG. 1 is a side perspective view of a forward facing rowing device showing my new design, the broken lines are for illustrative purposes only and form no part of the claimed design;

FIG. 2 is a front elevation view;

FIG. 3 is a top plan view;

FIG. 4 is a right side elevation view of FIG. 3;

FIG. 5 is a rear elevation view; and,

FIG. 6 is a bottom plan view.

[56] References Cited

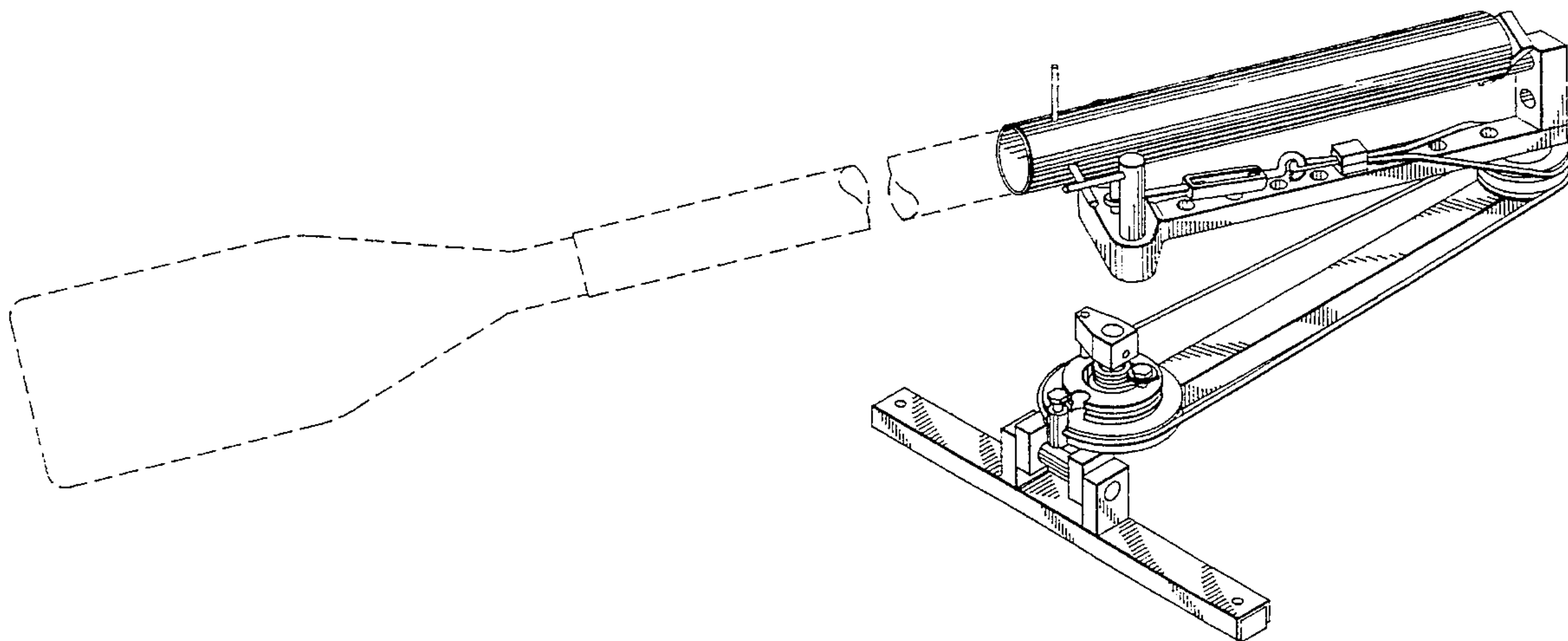
U.S. PATENT DOCUMENTS

D. 356,539	3/1995	Mele	D12/317
4,068,611	1/1978	Leather	440/105
5,248,272	10/1993	DuPont	440/105

FOREIGN PATENT DOCUMENTS

954331	9/1982	U.S.S.R.	440/105
--------	--------	----------	-------	---------

1 Claim, 3 Drawing Sheets



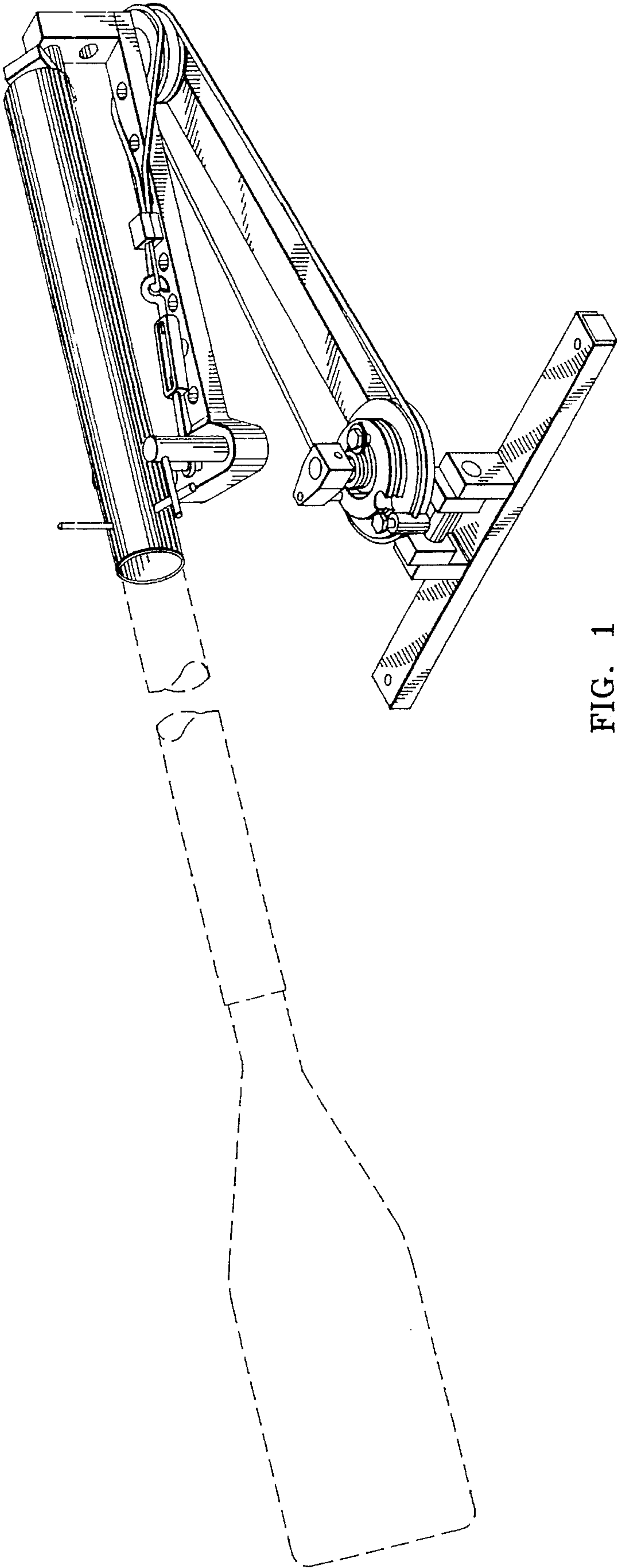


FIG. 1

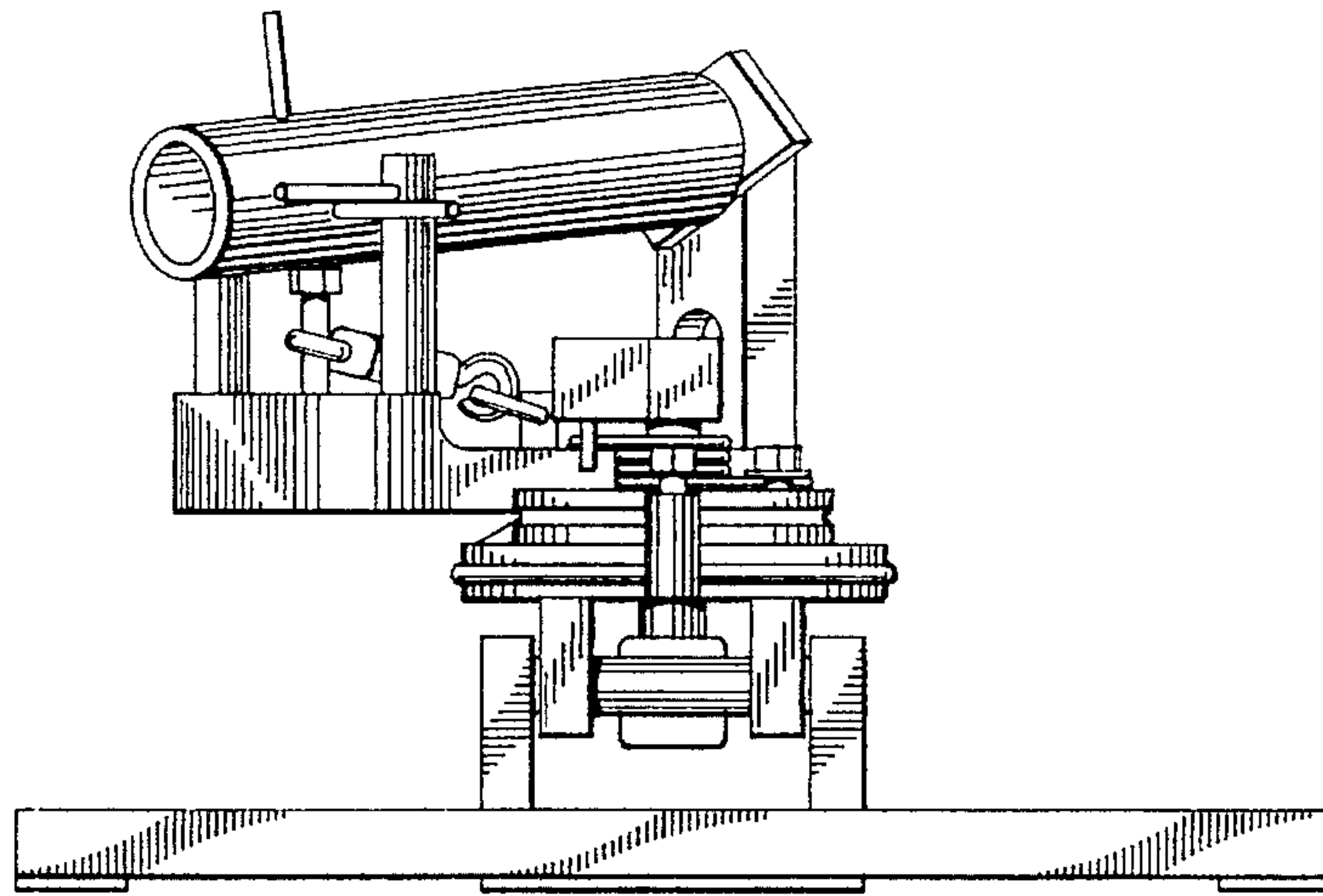


FIG. 2

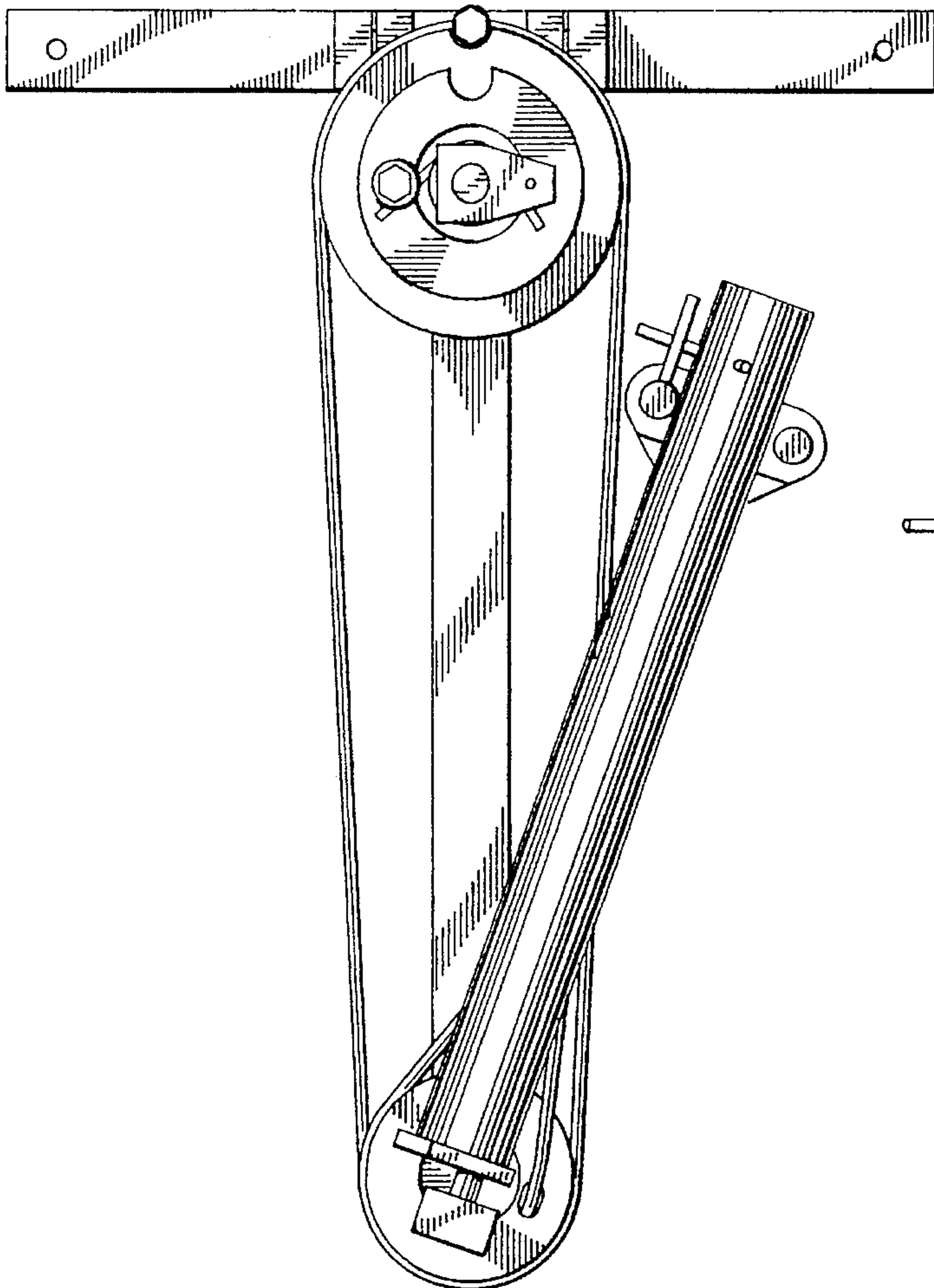


FIG. 3

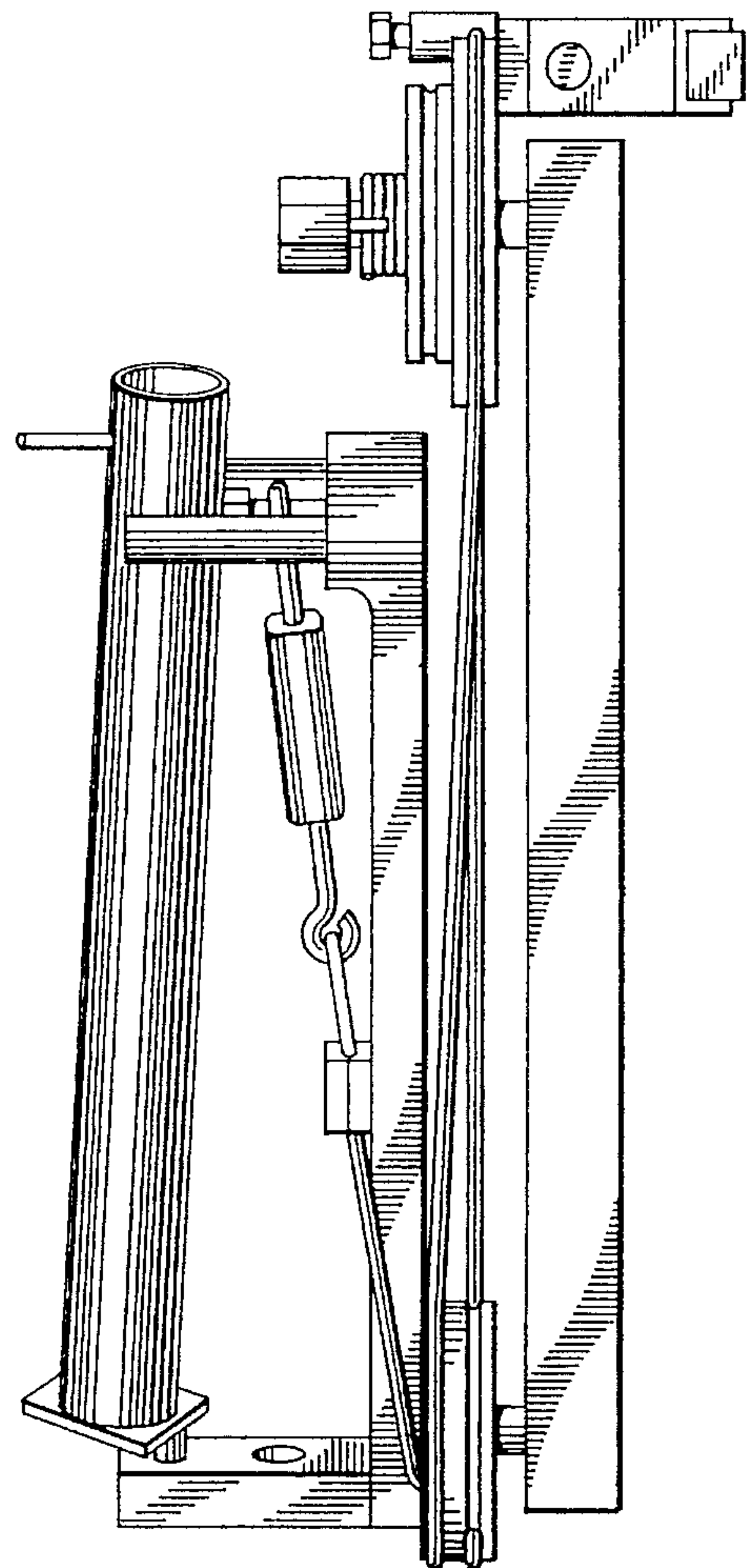


FIG. 4

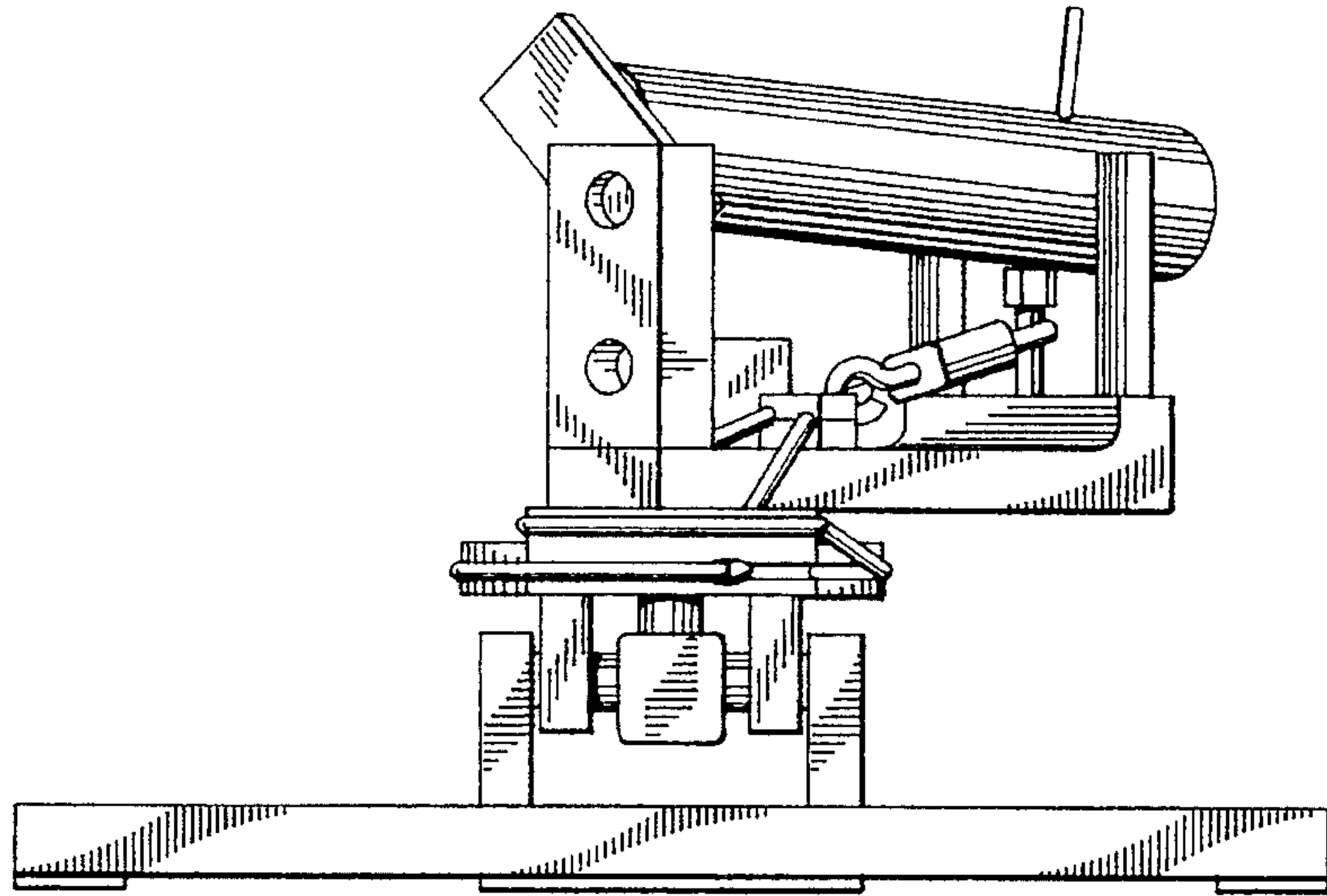


FIG. 5

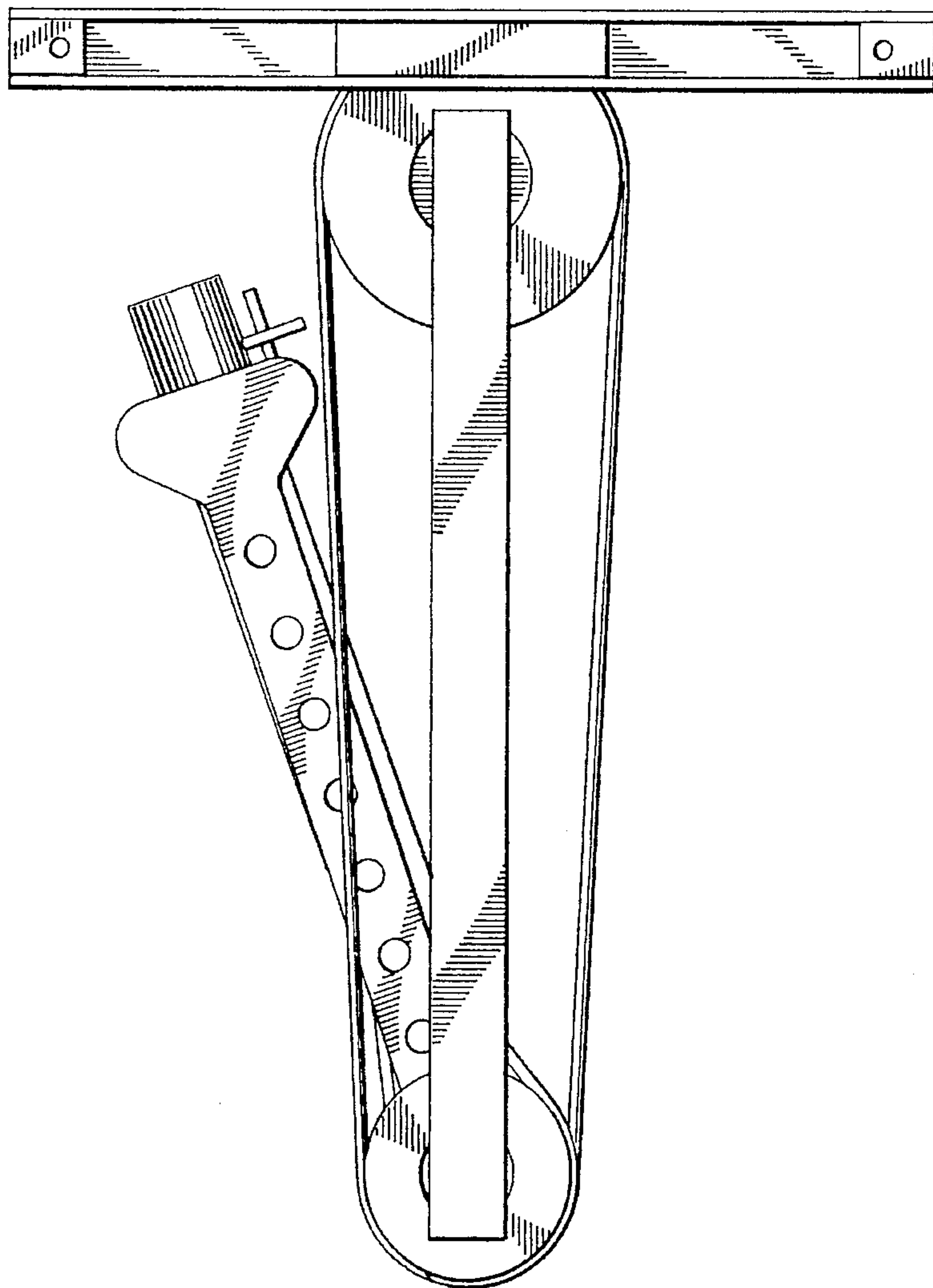


FIG. 6