



US00D371102S

**United States Patent** [19]  
**Bak**

[11] **Patent Number: Des. 371,102**

[45] **Date of Patent: \*\*Jun. 25, 1996**

[54] **NOZZLE PLUG FOR INLET AND OUTLET PORTS OF A JET SKI**

[76] Inventor: **Jeffrey J. Bak**, 4461 Palm Mesa Dr.,  
Las Vegas, Nev. 89120

[\*\*] Term: **14 Years**

[21] Appl. No.: **37,266**

[22] Filed: **Apr. 10, 1995**

[52] U.S. Cl. .... **D12/317**

[58] Field of Search ..... D12/317, 318;  
440/46

[56] **References Cited**

**U.S. PATENT DOCUMENTS**

D. 327,246 6/1992 Beckerer, Jr. .... D12/318  
4,055,140 10/1977 Kirchhan ..... 440/46

*Primary Examiner*—Kay H. Chin  
*Attorney, Agent, or Firm*—Harpman & Harpman

[57] **CLAIM**

The ornamental design for a nozzle plug for inlet and outlet ports of a jet ski, shown and described.

**DESCRIPTION**

FIG. 1 is a front, top and side perspective view of the nozzle plug for inlet and outlet ports of a jet ski embodying the design of the present invention;

FIG. 2 is a side elevational view thereof, the opposite side view being a mirror image of that shown;

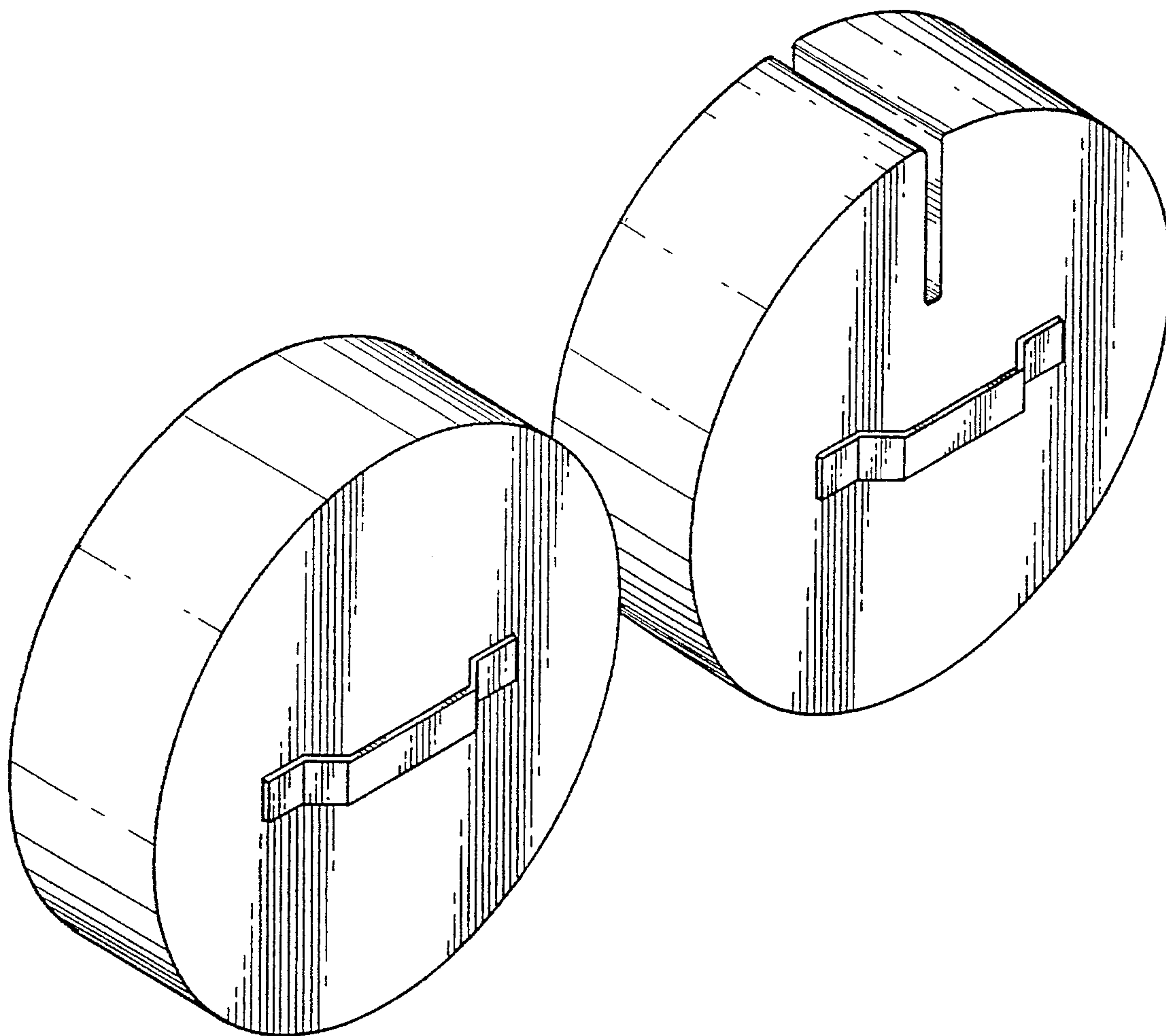
FIG. 3 is a front elevational view thereof;

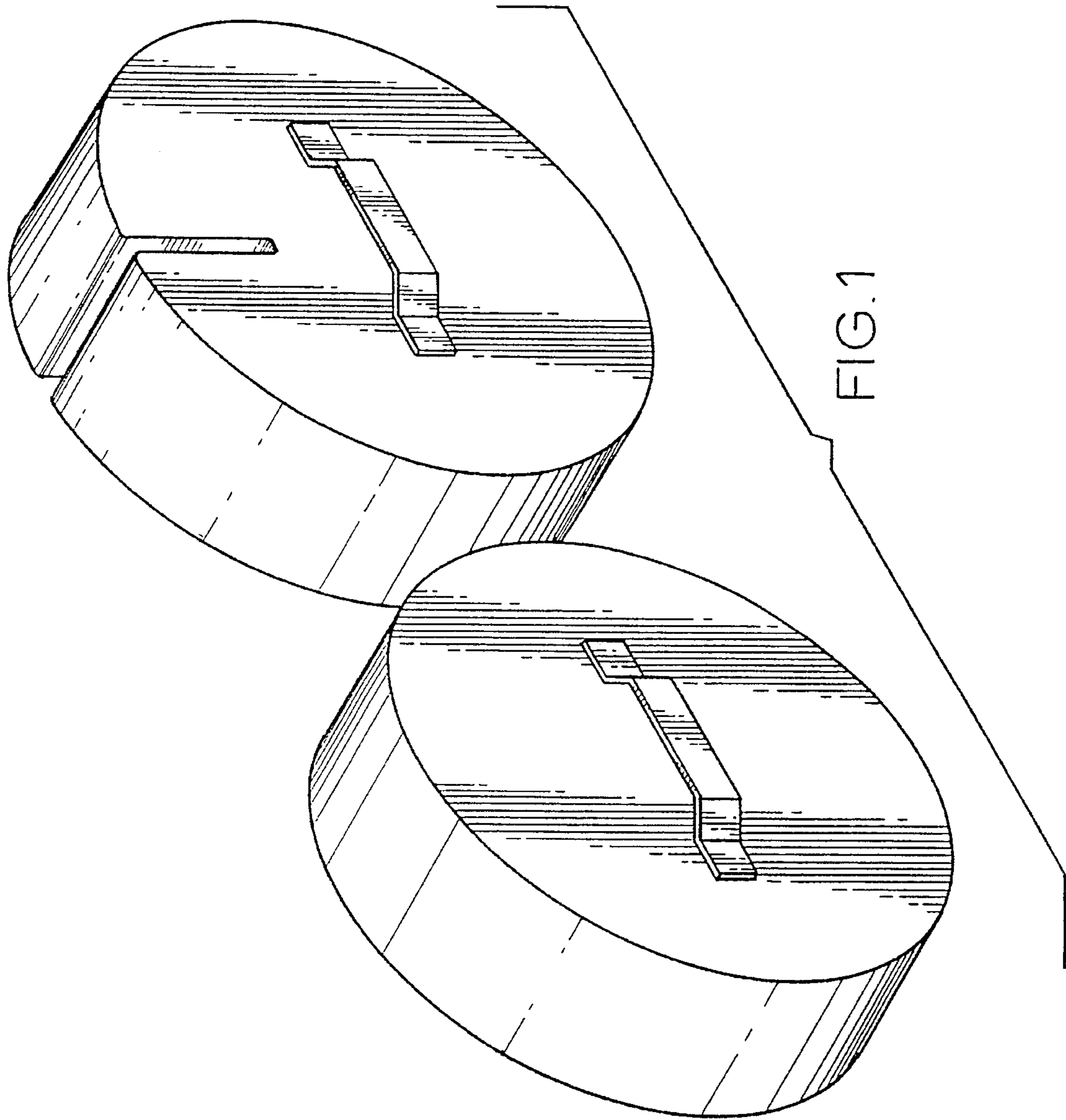
FIG. 4 is a rear elevational view thereof;

FIG. 5 is a top plan view thereof; and,

FIG. 6 is a bottom plan view thereof.

**1 Claim, 3 Drawing Sheets**





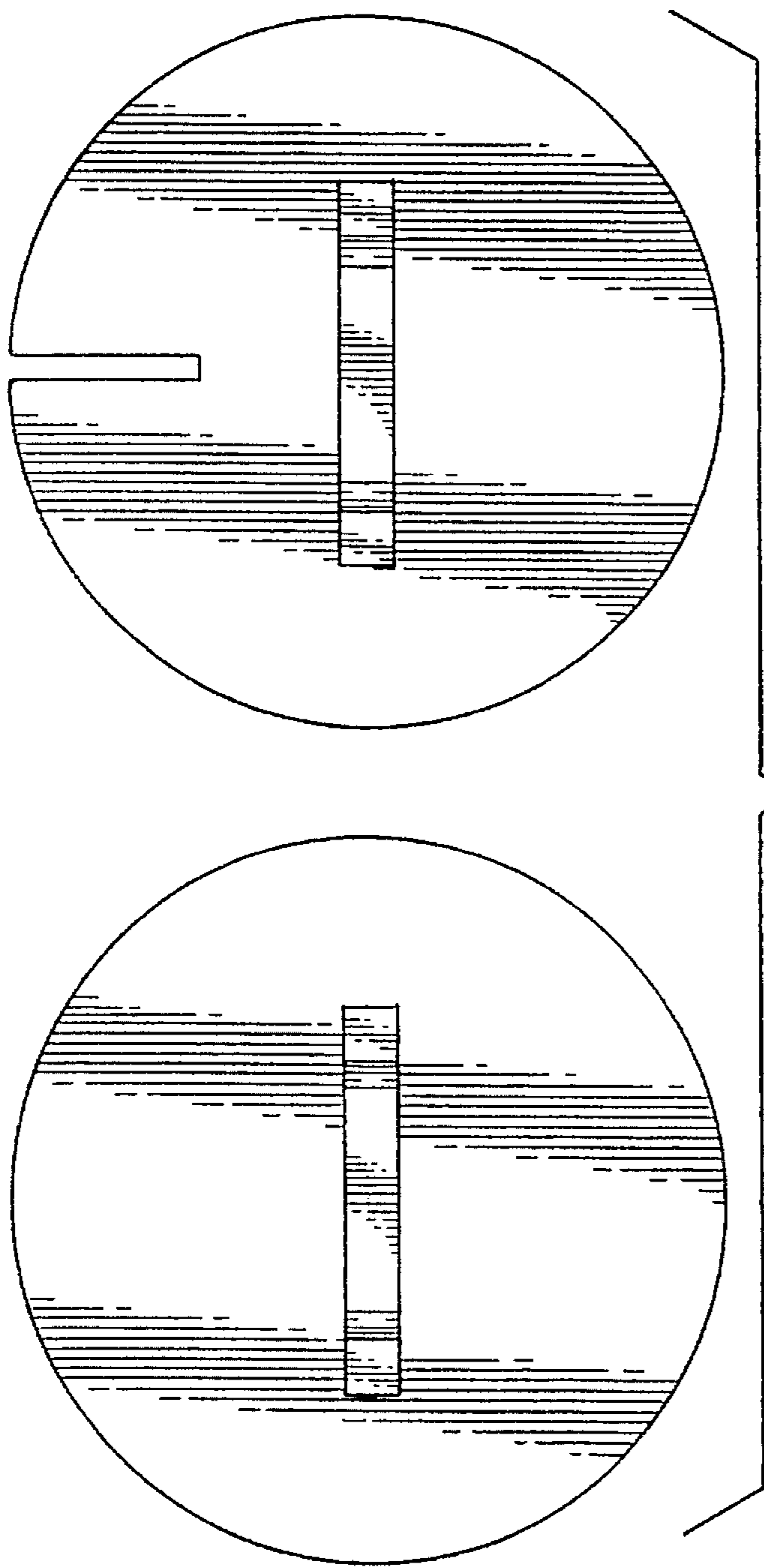


FIG. 3

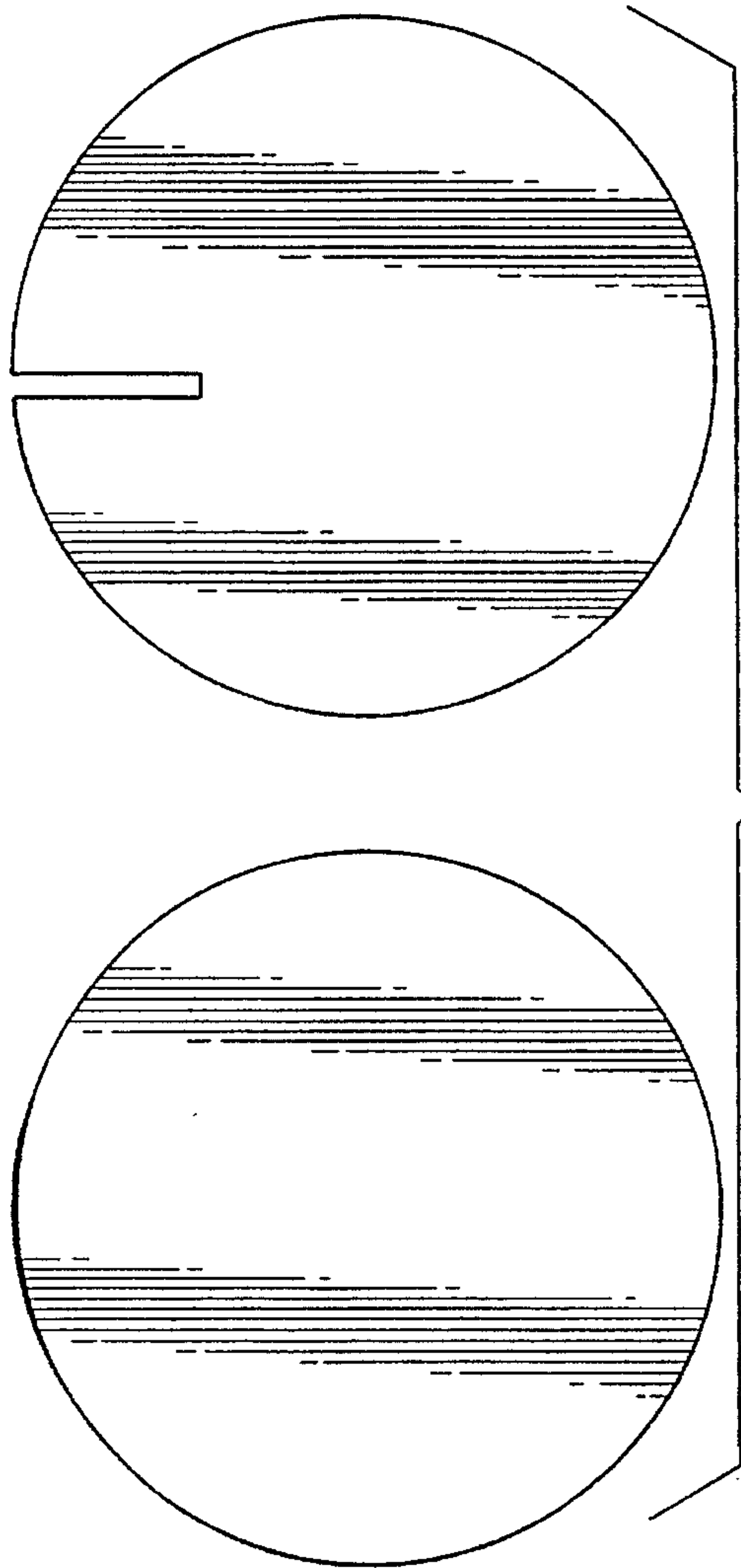


FIG. 4

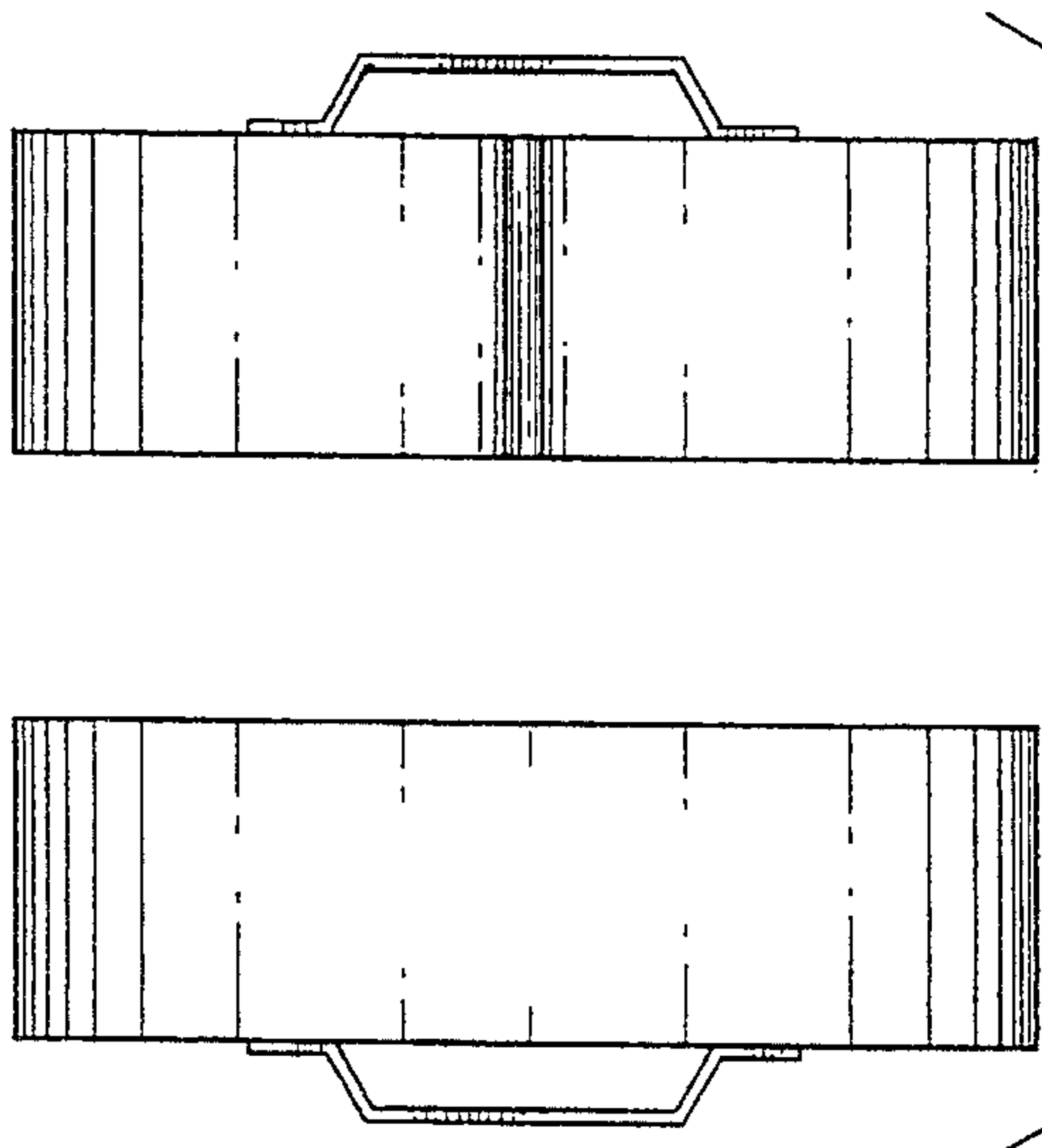


FIG. 5

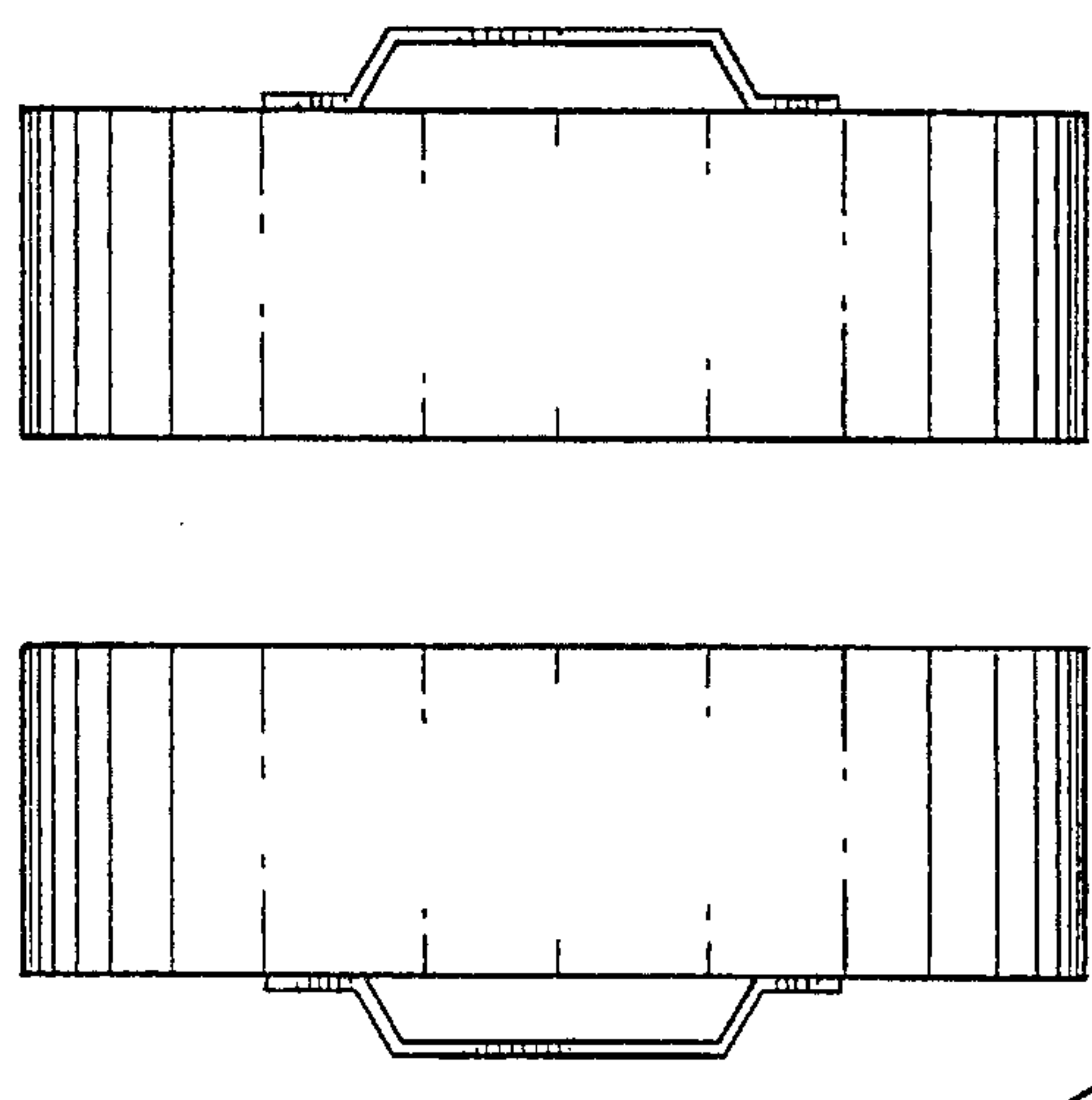


FIG. 6

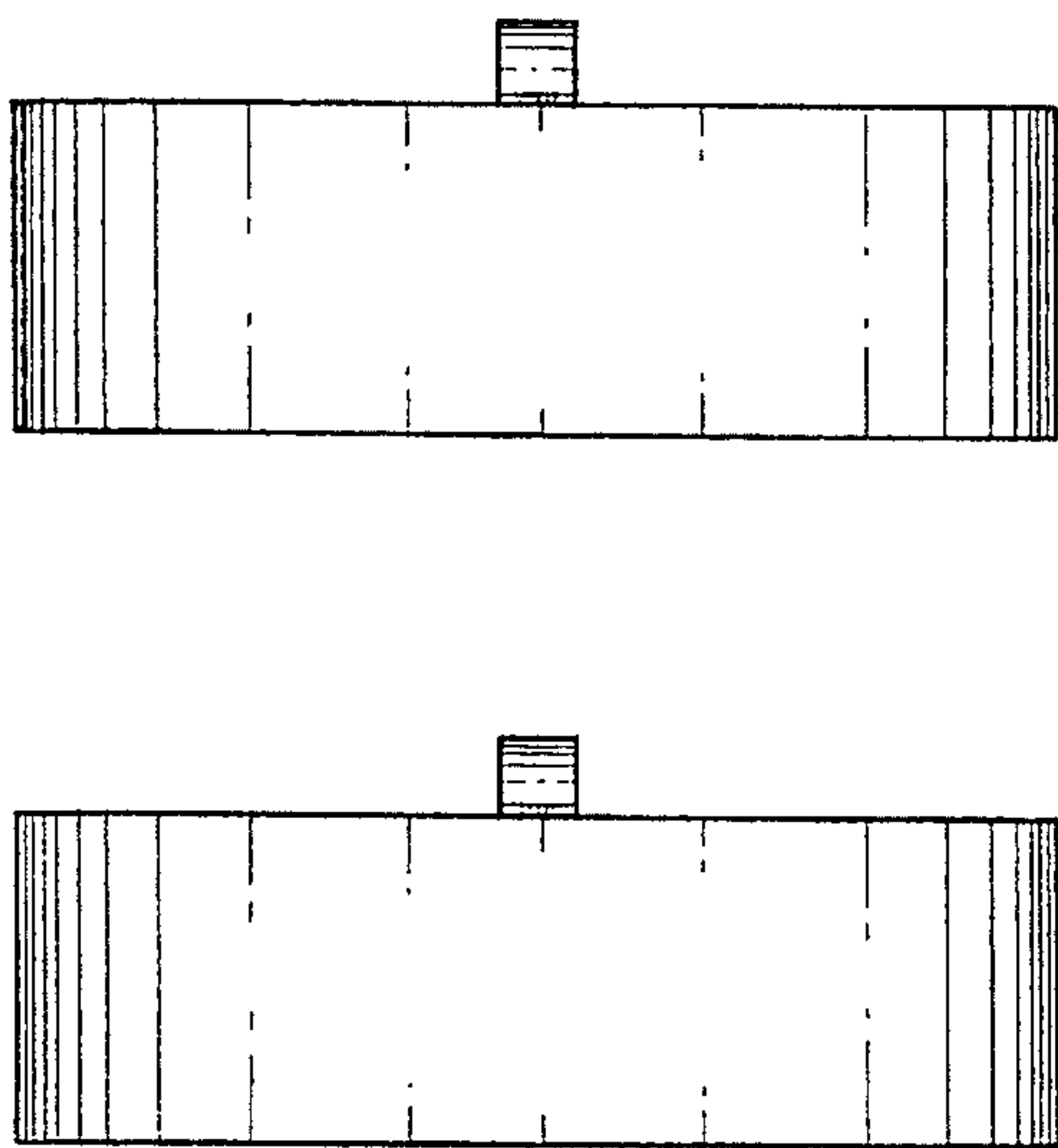


FIG. 2