



US00D371094S

**United States Patent** [19]  
**Hinkston**

[11] **Patent Number: Des. 371,094**

[45] **Date of Patent: \*\*Jun. 25, 1996**

[54] **COLLAPSIBLE BABY JOGGING STROLLER**

5,188,389 2/1993 Baechler et al. .... 280/650  
5,364,119 11/1994 Leu ..... 280/647

[76] Inventor: **Paul Hinkston**, 6 Flintlock La., Hell Canyon, Calif. 91307

*Primary Examiner*—Kay H. Chin  
*Attorney, Agent, or Firm*—Edward E. Roberts

[\*\*] Term: **14 Years**

[57] **CLAIM**

[21] Appl. No.: **28,409**

The ornamental design for a collapsible baby jogging stroller, as shown.

[22] Filed: **Sep. 14, 1994**

[52] U.S. Cl. .... **D12/129**

**DESCRIPTION**

[58] Field of Search ..... D12/129, 128;  
280/650, 62, 658, 642, 641, 657

FIG. 1 is a perspective view of a collapsible baby jogging stroller showing my new design;  
FIG. 2 is a front elevational view thereof;  
FIG. 3 is a back elevational view thereof;  
FIG. 4 is a top view thereof view thereof; and,  
FIG. 5 is a side elevational view thereof.

[56] **References Cited**

**U.S. PATENT DOCUMENTS**

|            |        |                 |       |           |
|------------|--------|-----------------|-------|-----------|
| D. 297,525 | 9/1988 | Baechler        | ..... | D12/129   |
| D. 343,812 | 2/1994 | Baechler et al. | ..... | D12/129   |
| D. 356,760 | 3/1995 | Baechler        | ..... | D12/129   |
| 4,953,880  | 9/1990 | Sudakoff et al. | ..... | 280/47.38 |

**1 Claim, 3 Drawing Sheets**

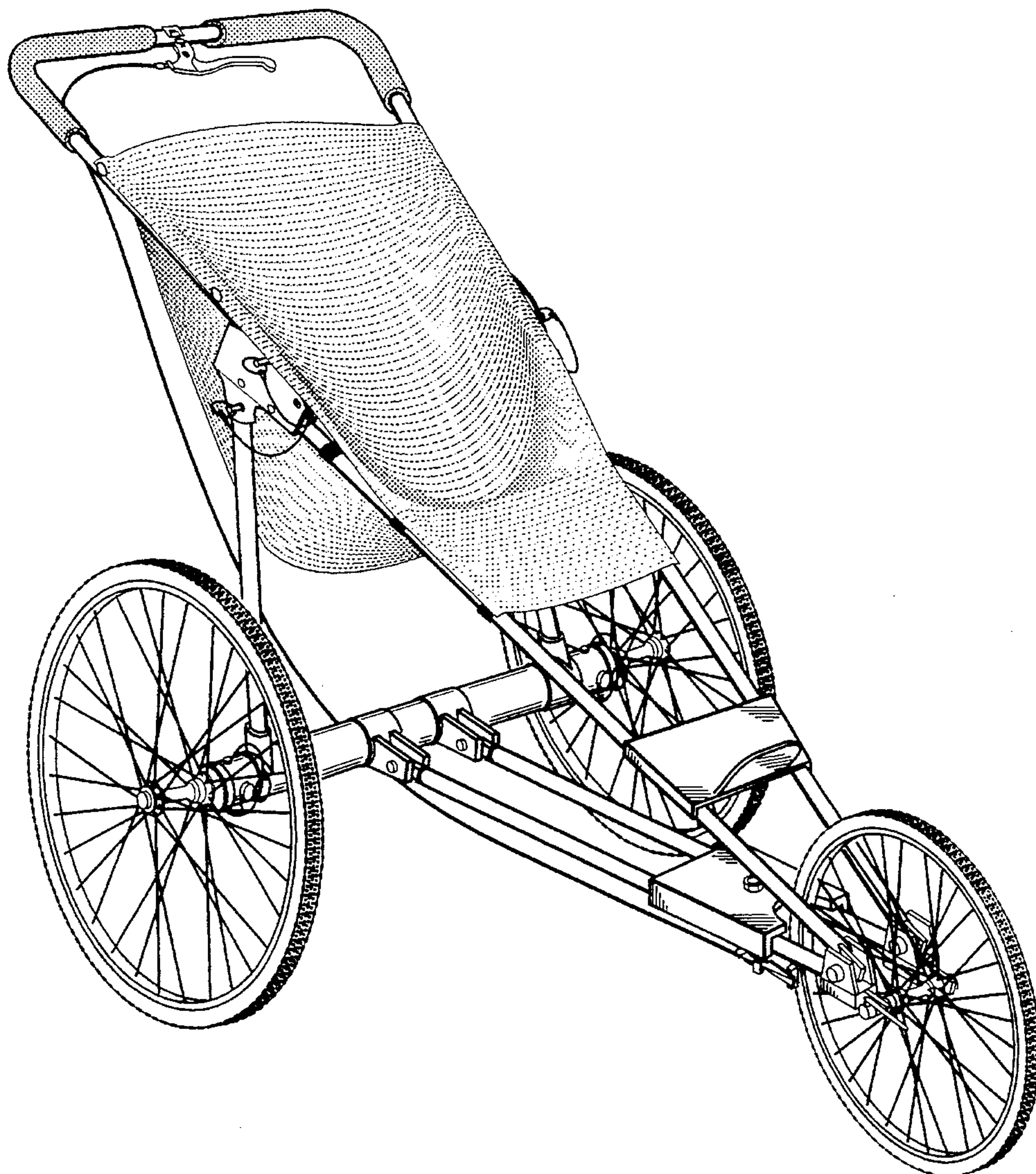




FIG. 1



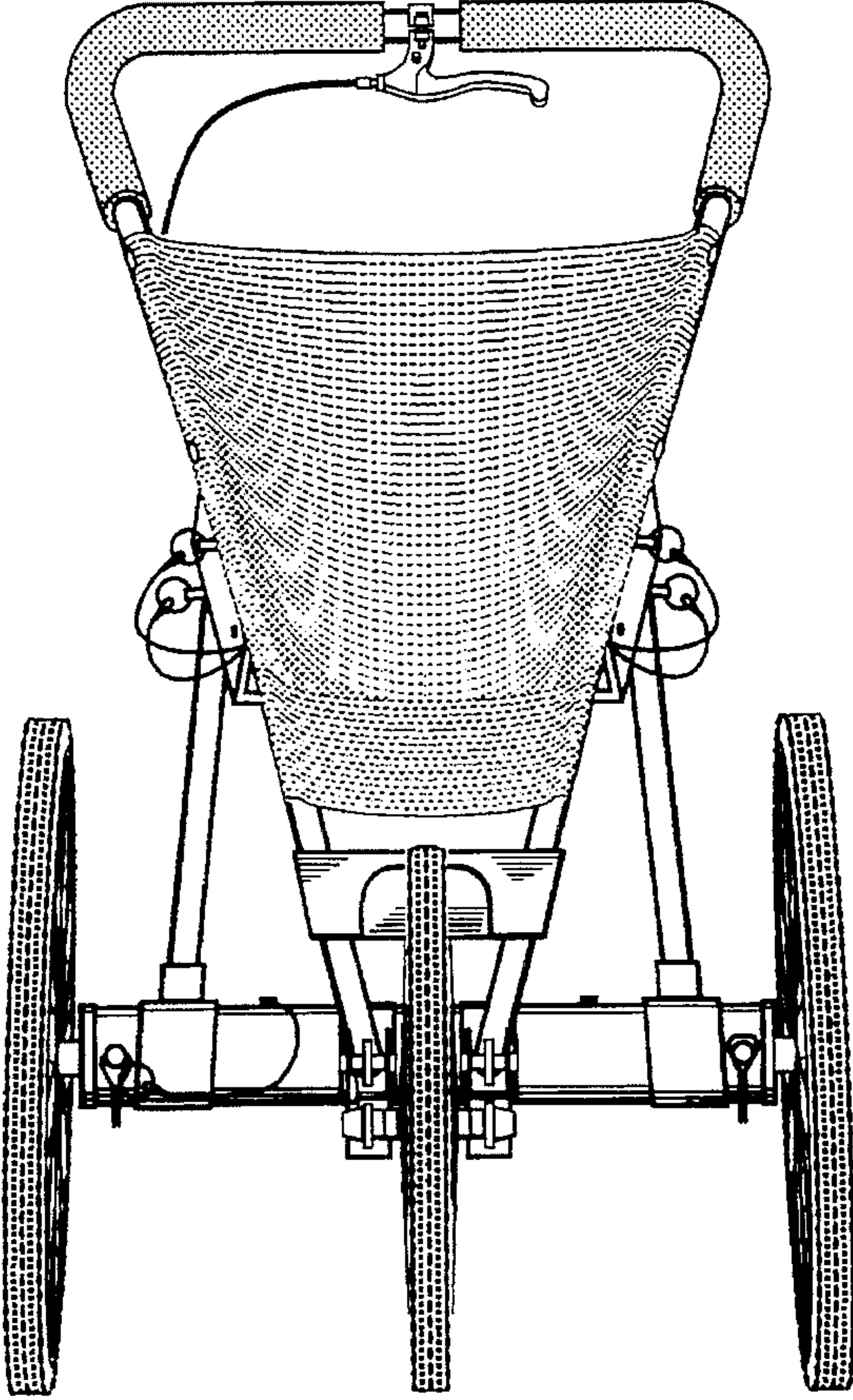


FIG. 2

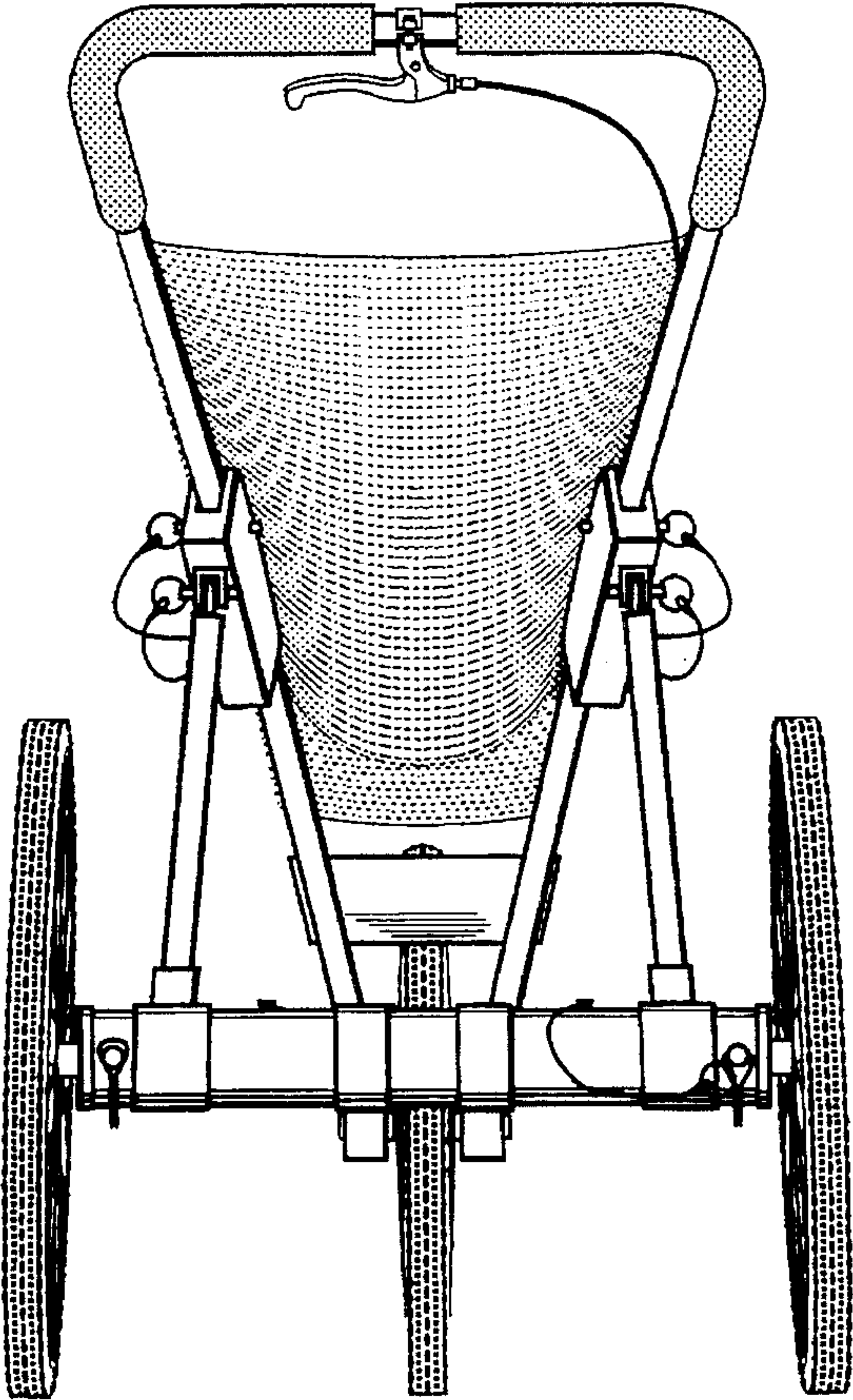


FIG. 3

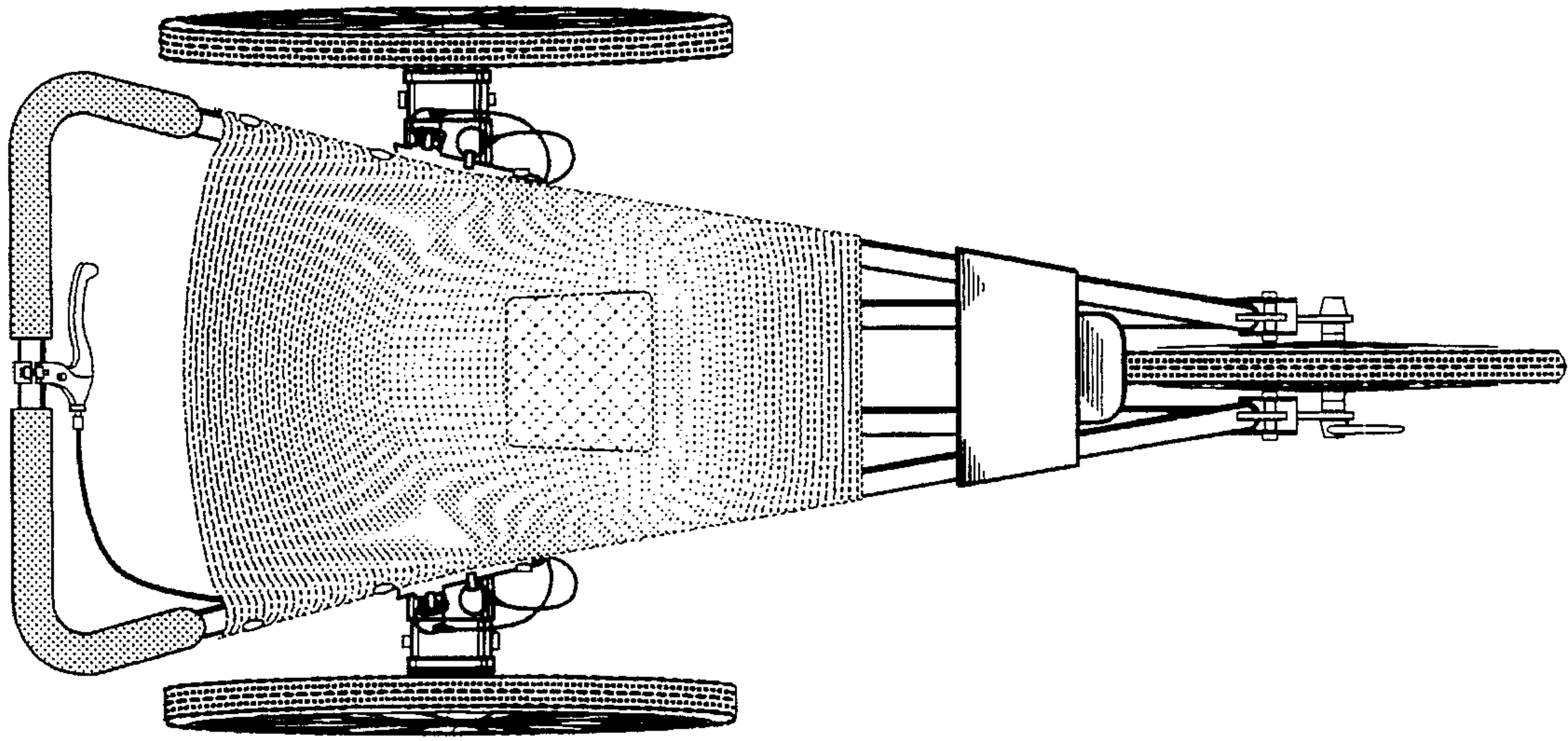


FIG. 4

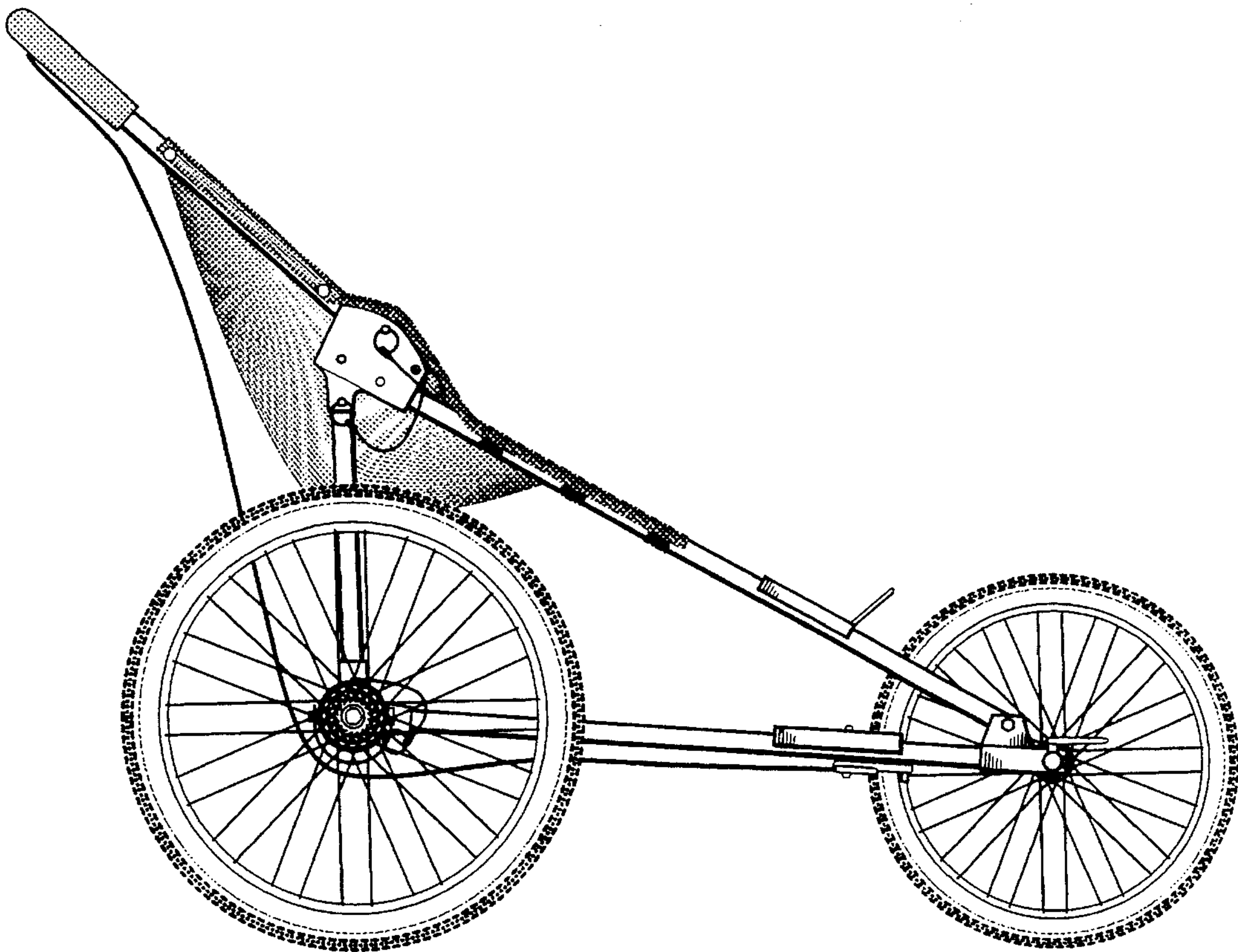


FIG. 5