



US00D371090S

United States Patent [19]

[11] Patent Number: Des. 371,090

Weder et al.

[45] Date of Patent: *** Jun. 25, 1996

[54] FLOWER POT COVER
[75] Inventors: Donald E. Weder; Joseph G. Straeter, both of Highland, Ill.

[73] Assignees: The Family Trust U/T/A; Southpac Trust International, Inc., both of Highland, Ill.

[*] Notice: The portion of the term of this patent subsequent to Aug. 29, 2009, has been disclaimed.

[**] Term: 14 Years

[21] Appl. No.: 3,317

[22] Filed: Jan. 5, 1993

Related U.S. Application Data

[63] Continuation-in-part of Ser. No. 808,555, Dec. 16, 1991, Pat. No. Des. 361,959, which is a continuation-in-part of Ser. No. 710,272, Jun. 4, 1991, which is a continuation-in-part of Ser. No. 612,454, Nov. 21, 1990, abandoned, said Ser. No. 710,272, is a continuation-in-part of Ser. No. 411,249, Sep. 22, 1989, Pat. No. Des. 358,113, said Ser. No. 710,272, is a continuation-in-part of Ser. No. 411,247, Sep. 22, 1989, said Ser. No. 710,272, is a continuation-in-part of Ser. No. 411,245, Sep. 22, 1989, abandoned.

[52] U.S. Cl. D11/164

[58] Field of Search D11/143, 149, D11/152-156, 164, 89, 90; 47/66, 72; 206/423; 215/100.5; 229/1.5 R, 1.5 B, 4.5, 87.01, 922, 930, 108, 108.1, 109, 110, 400; 428/27, 35.1, 24, 542.6; D9/346, 428-431; D27/102, 133; D26/128-136; D19/96; D7/540, 584, 586, 587, 354

[56] References Cited

U.S. PATENT DOCUMENTS

D. 292,182 10/1987 Weder et al. D11/164
D. 292,562 11/1987 Weder et al. D11/164
D. 293,224 12/1987 Weder et al. D11/164
D. 293,775 1/1988 Weder et al. D11/164
D. 315,880 4/1991 Weder et al. D11/143 X
D. 317,583 6/1991 Weder et al. D11/164
D. 318,030 7/1991 Weder et al. D11/164

D. 319,417 8/1991 Weder et al. D11/143 X
D. 327,234 6/1992 Vaughn D11/143
1,065,486 6/1913 Washburn 229/400
2,054,934 9/1936 Graffenberger 229/1.5 B
2,102,510 12/1937 Cecil, 2d 229/1.5 B
2,355,559 8/1944 Renner 229/8
3,443,741 5/1969 Stockdale D9/431 X
5,127,817 7/1992 Weder et al. 425/383
5,339,565 8/1994 Weder et al. 229/1.5 B

FOREIGN PATENT DOCUMENTS

103316 3/1938 Australia 229/922

OTHER PUBLICATIONS

Exhibit A—Speed Cover® Brochure—The Simple Solution . . . , ©1989.

Primary Examiner—Jeffrey Asch
Attorney, Agent, or Firm—Dunlap & Coddling

[57] CLAIM

The ornamental design for a flower pot cover, as shown and described.

DESCRIPTION

FIG. 1 is a perspective view of our new flower pot cover design;
FIG. 2 is a left side elevational view thereof;
FIG. 3 is a right side elevational view thereof;
FIG. 4 is a front side elevational view thereof;
FIG. 5 is a back side elevational view thereof;
FIG. 6 is a top plan view thereof;
FIG. 7 is a bottom plan view thereof;
FIG. 8 is a side elevational view of the design of FIG. 1, the only difference being in the horizontal angle of the skirt;
FIG. 9 is a side elevational view of the design of FIG. 1, the only difference being in the near vertical angle of the skirt;
FIG. 10 is a side elevational view of the design of FIG. 1, the only difference being in the downward angle of the skirt;
FIG. 11 is a perspective view of a second embodiment of our new flower pot cover design;
FIG. 12 is a front side elevational view thereof;
FIG. 13 is a back side elevational view thereof;
FIG. 14 is a left side elevational view thereof;
FIG. 15 is a right side elevational view thereof;
FIG. 16 is a top plan view thereof;

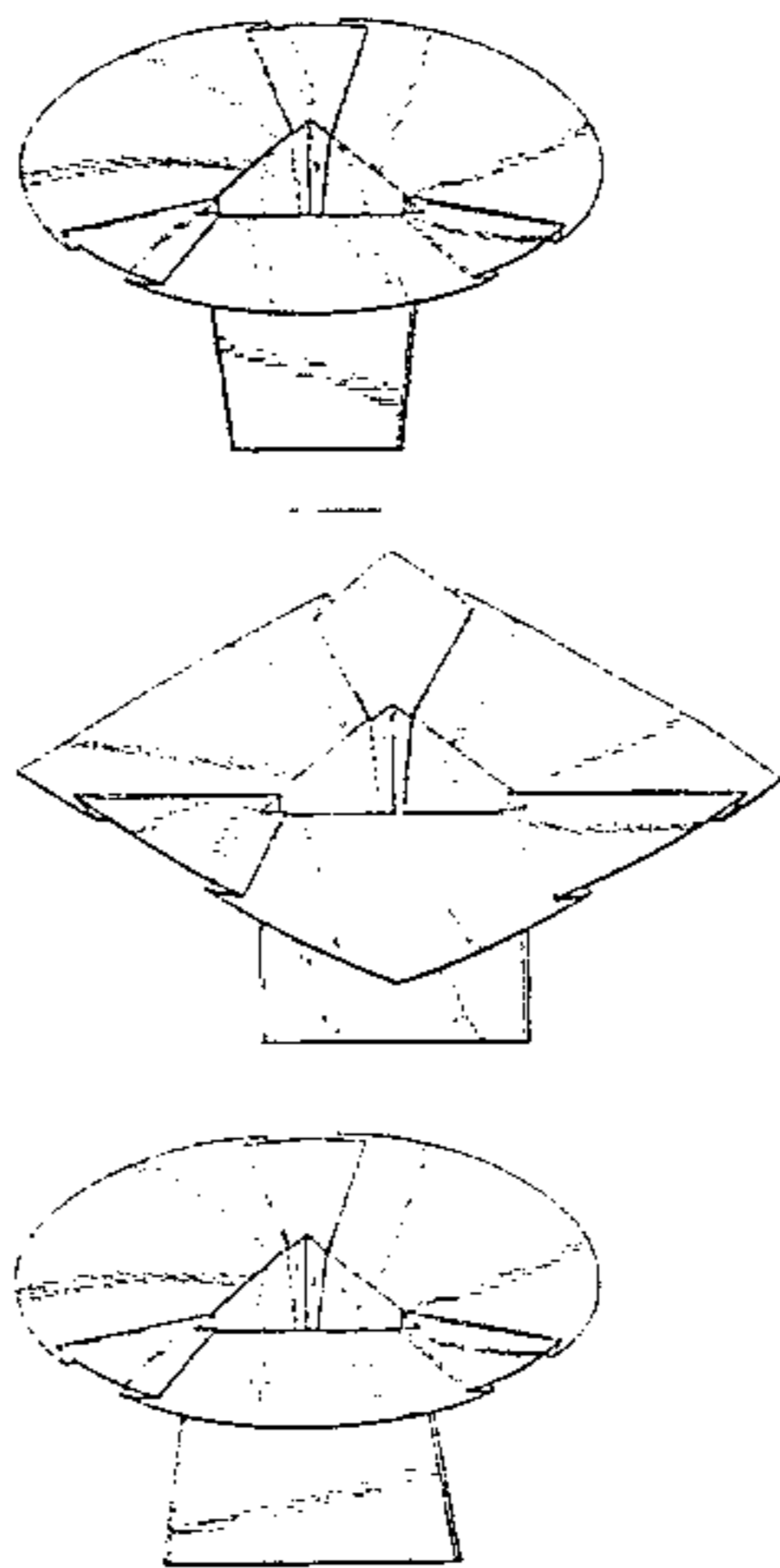


FIG. 17 is a bottom plan view thereof;
FIG. 18 is a side elevational view of the design of FIG. 11, the only difference being in the horizontal angle of the skirt;
FIG. 19 is a side elevational view of the design of FIG. 11, the only difference being in the near vertical angle of the skirt;
FIG. 20 is a side elevational view of the design of FIG. 11, the only difference being in the downward angle of the skirt;
FIG. 21 is a perspective view of a third embodiment of our new flower pot cover design;
FIG. 22 is a left side elevational view thereof;
FIG. 23 is a right side elevational view thereof;
FIG. 24 is a front side elevational view thereof;
FIG. 25 is a back side elevational view thereof;
FIG. 26 is a top plan view thereof;
FIG. 27 is a bottom plan view thereof;
FIG. 28 is a side elevational view of the design of FIG. 21, the only difference being in the horizontal angle of the skirt;
FIG. 29 is a side elevational view of the design of FIG. 21, the only difference being in the near vertical angle of the skirt;
FIG. 30 is a side elevational view of the design of FIG. 21, the only difference being in the downward angle of the skirt;
FIG. 31 is a perspective view of a fourth embodiment of our new flower pot cover design;
FIG. 32 is a front side elevational view thereof;
FIG. 33 is a back side elevational view thereof;
FIG. 34 is a left side elevational view thereof;
FIG. 35 is a right side elevational view thereof;
FIG. 36 is a top plan view thereof;

FIG. 37 is a bottom plan view thereof;
FIG. 38 is a side elevational view of the design of FIG. 31, the only difference being in the horizontal angle of the skirt;
FIG. 39 is a side elevational view of the design of FIG. 31, the only difference being in the near vertical angle of the skirt;
FIG. 40 is a side elevational view of the design of FIG. 31, the only difference being in the downward angle of the skirt;
FIG. 41 is a perspective view of a fifth embodiment of our new flower pot cover design;
FIG. 42 is a left side elevational view thereof;
FIG. 43 is a right side elevational view thereof;
FIG. 44 is a front side elevational view thereof;
FIG. 45 is a back side elevational view thereof;
FIG. 46 is a top plan view thereof;
FIG. 47 is a bottom plan view thereof;
FIG. 48 is a side elevational view of the design of FIG. 41, the only difference being in the horizontal angle of the skirt;
FIG. 49 is a side elevational view of the design of FIG. 41, the only difference being in the near vertical angle of the skirt; and,
FIG. 50 is a side elevational view of the design of FIG. 41, the only difference being in the downward angle of the skirt.
The characteristic feature of the design resides in the specific pleating arrangement, comprised of the parallel disposition of the exterior folds, in combination with the interior V-shaped folds, all as best seen in FIGS. 1, 11, 21, 31 and 41.

1 Claim, 10 Drawing Sheets

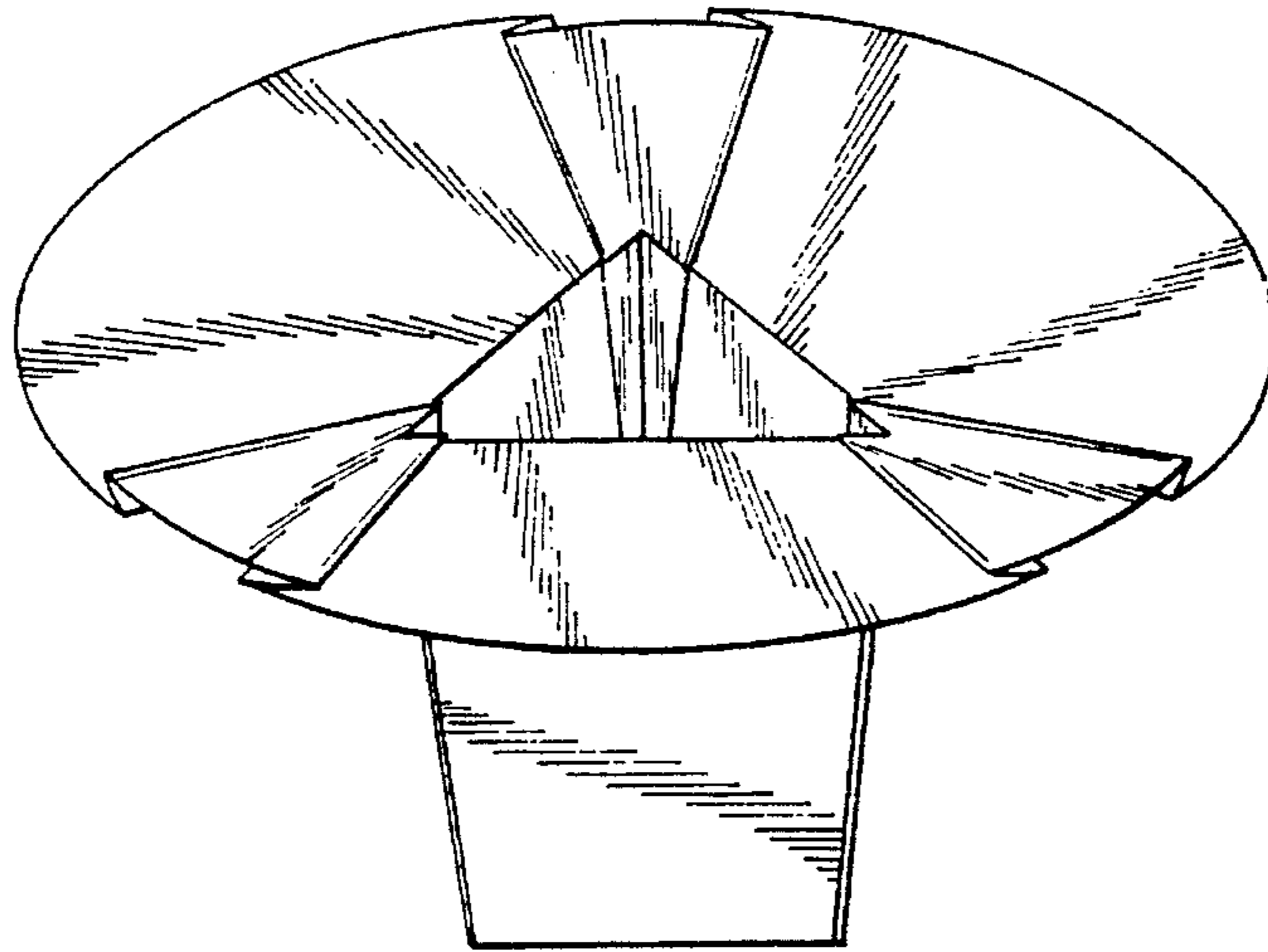


FIG. 1

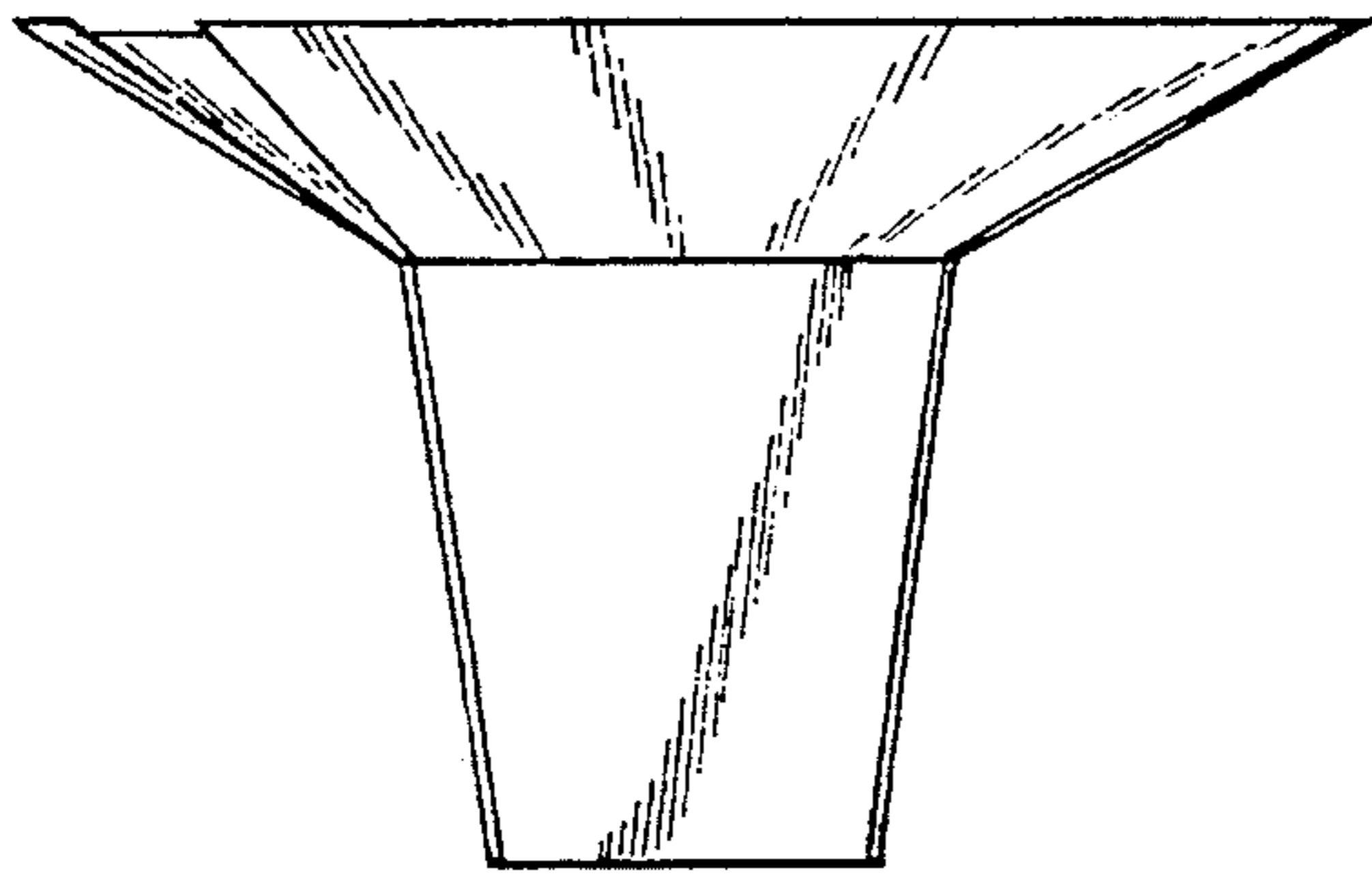


FIG. 2

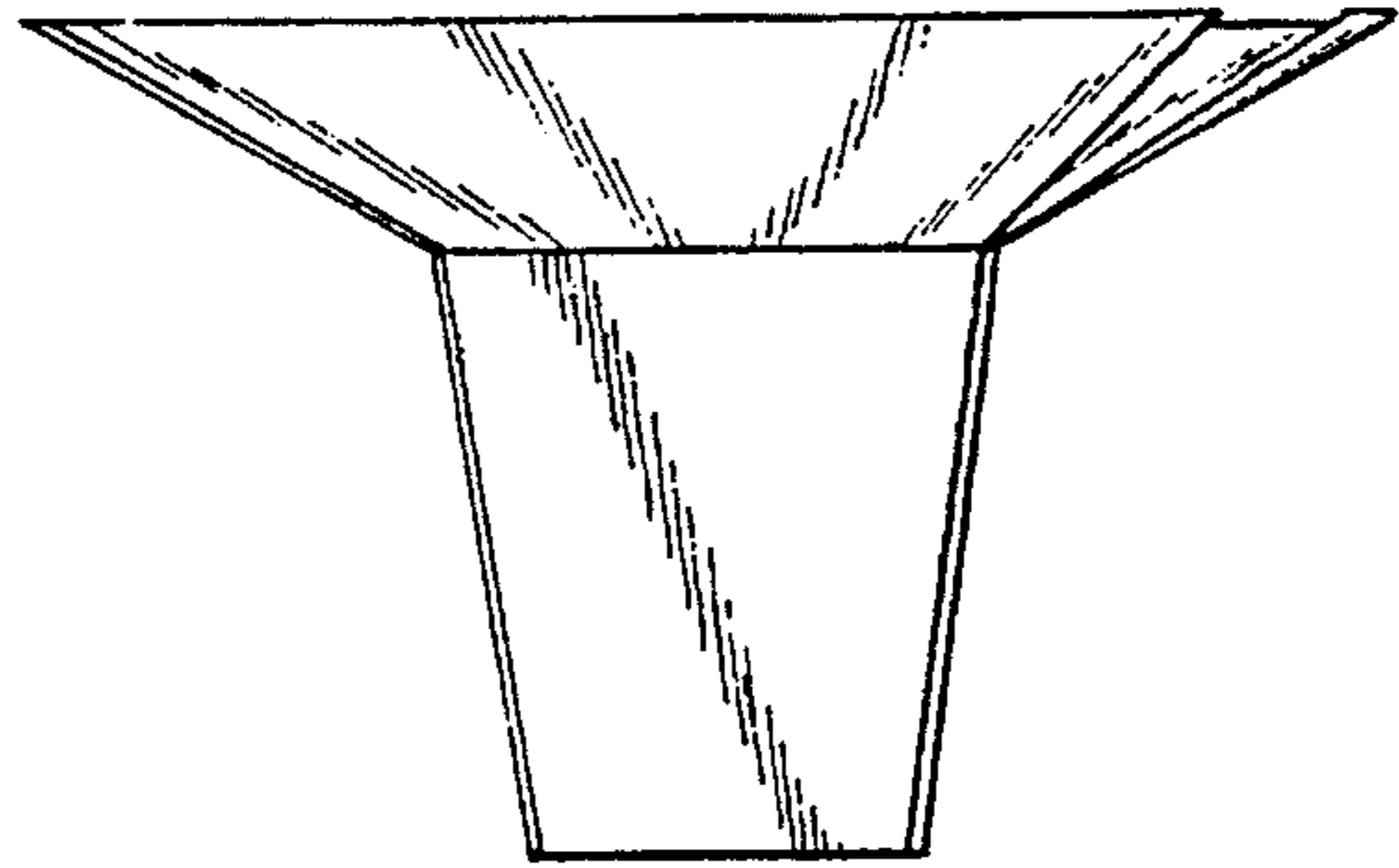


FIG. 3

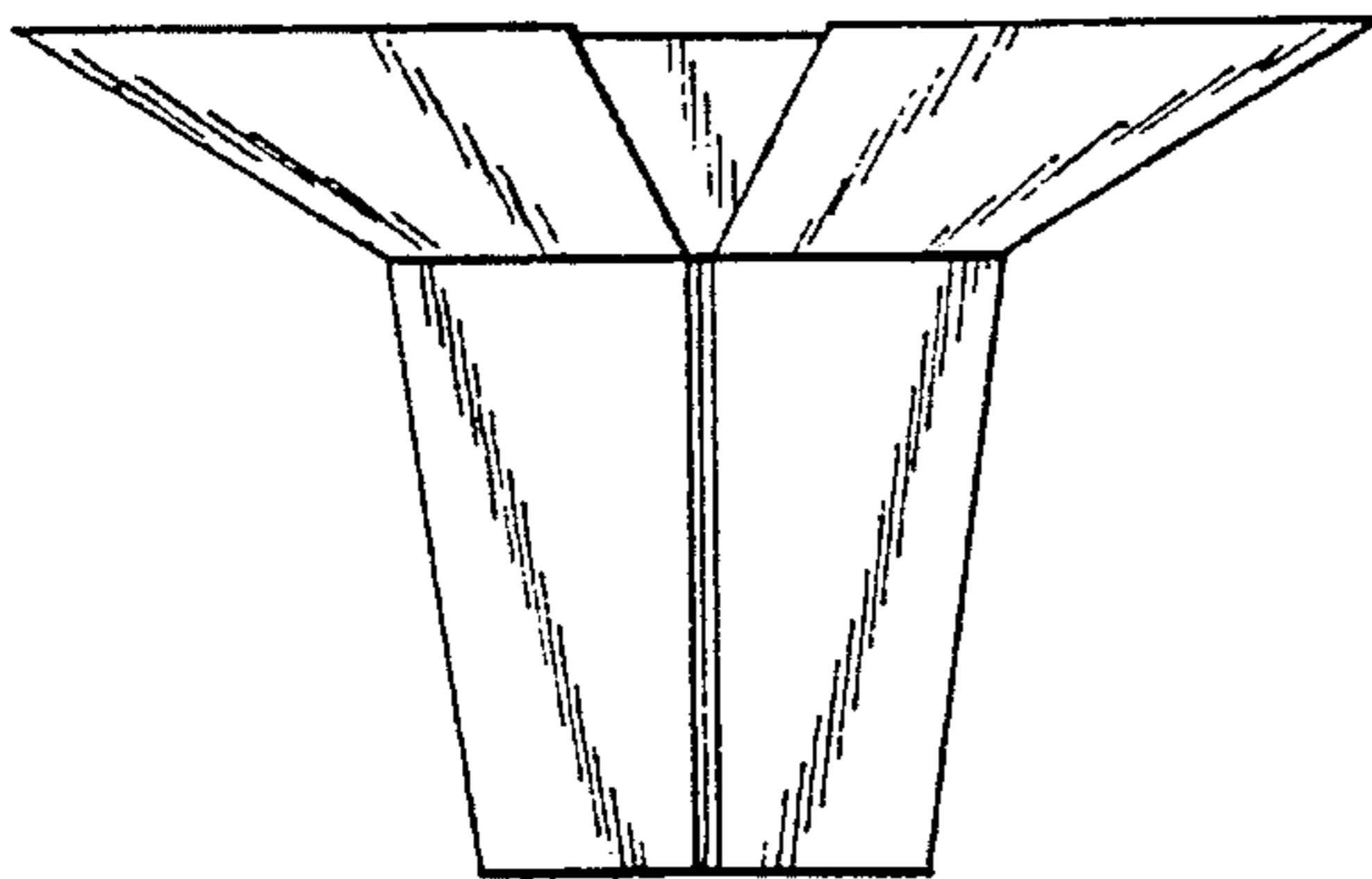


FIG. 4

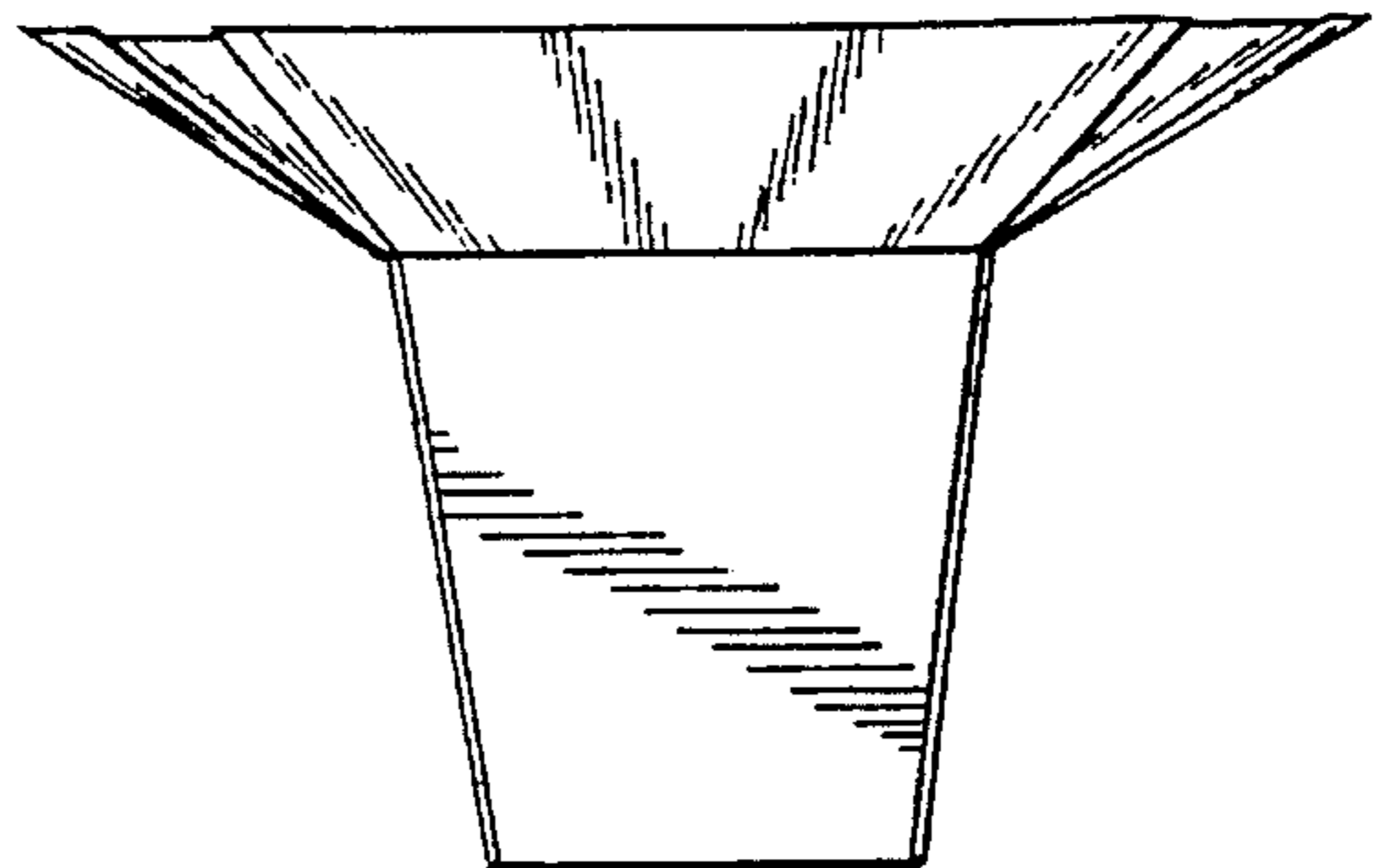


FIG. 5

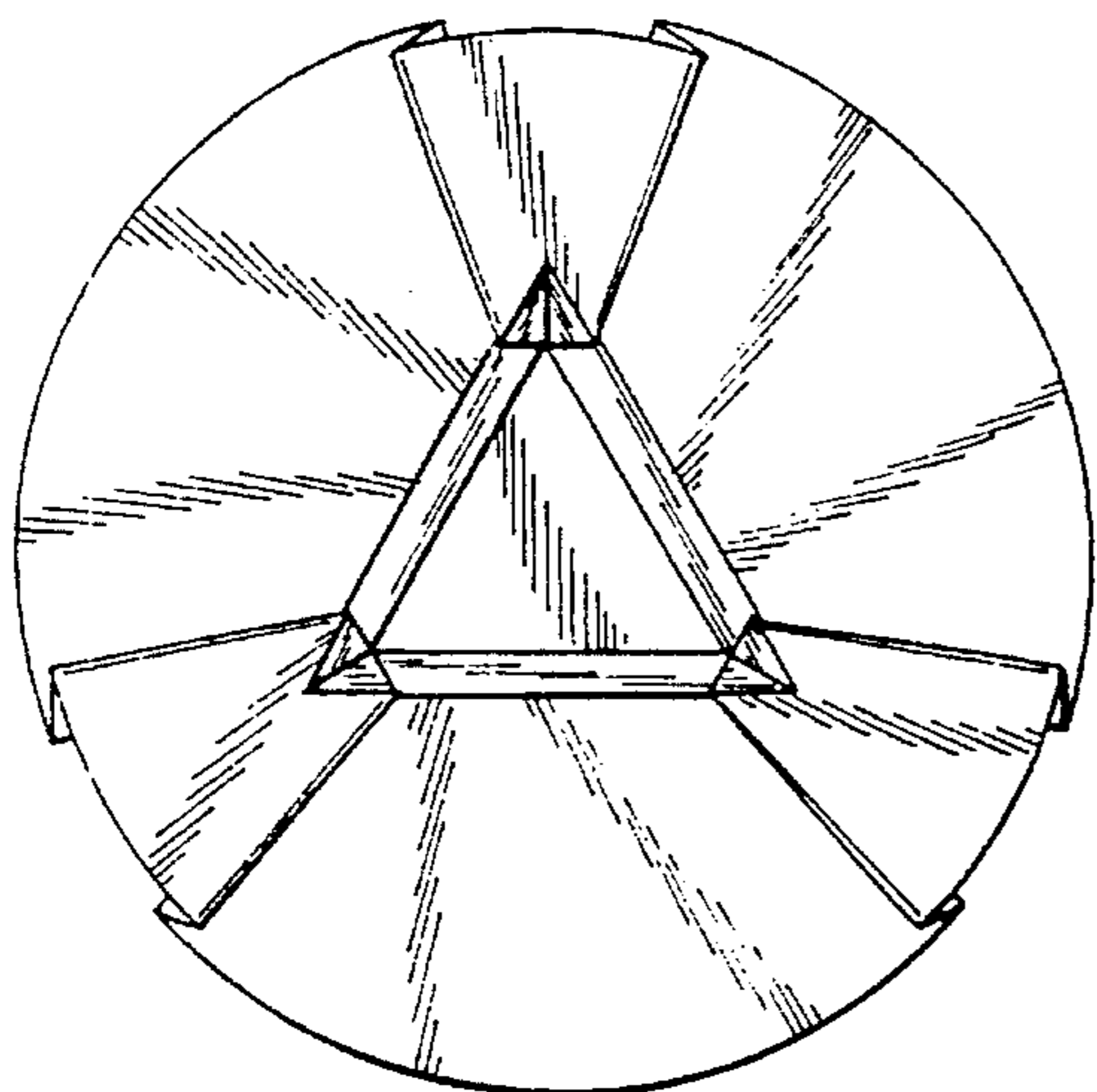


FIG. 1

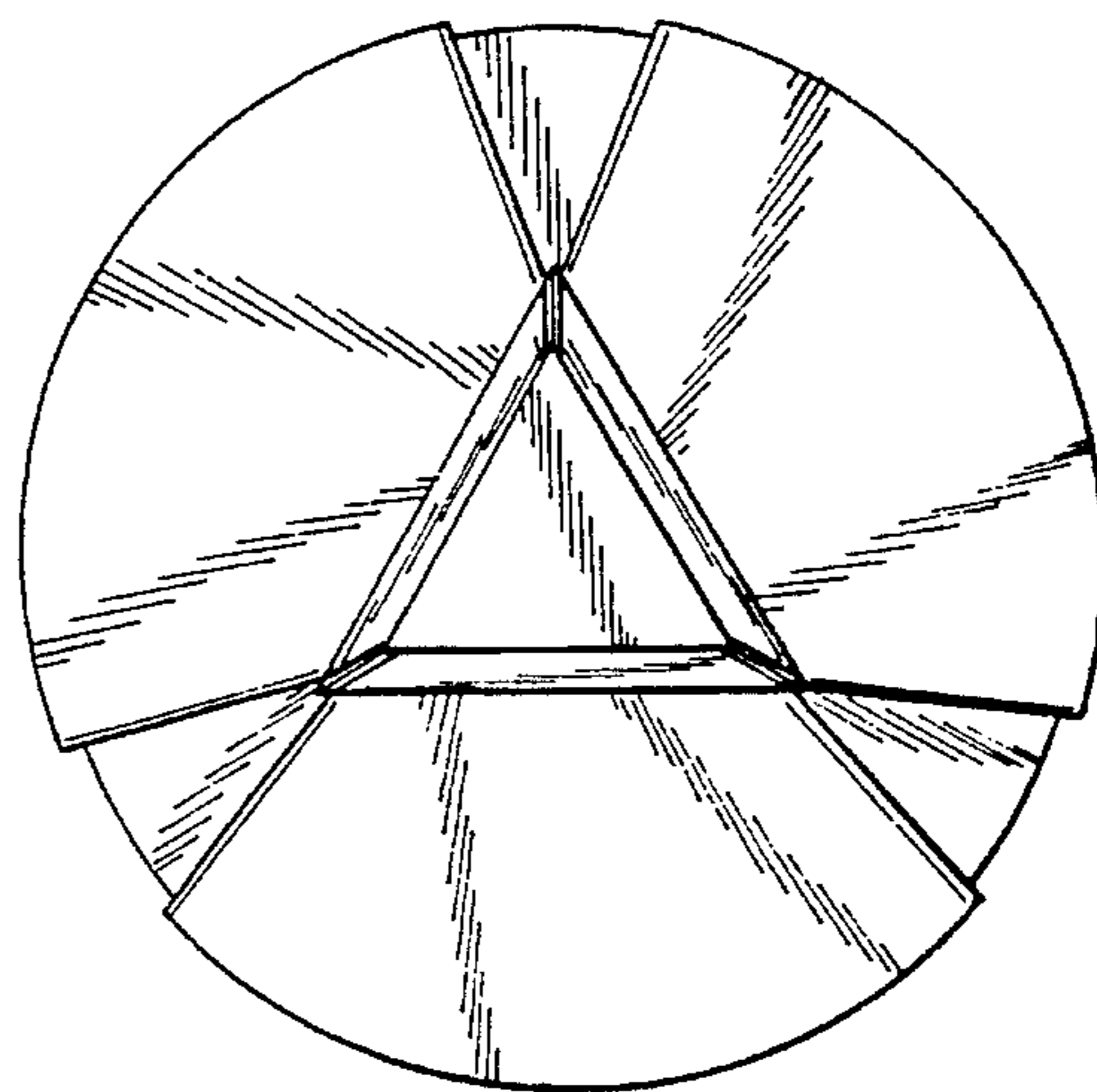


FIG. 2

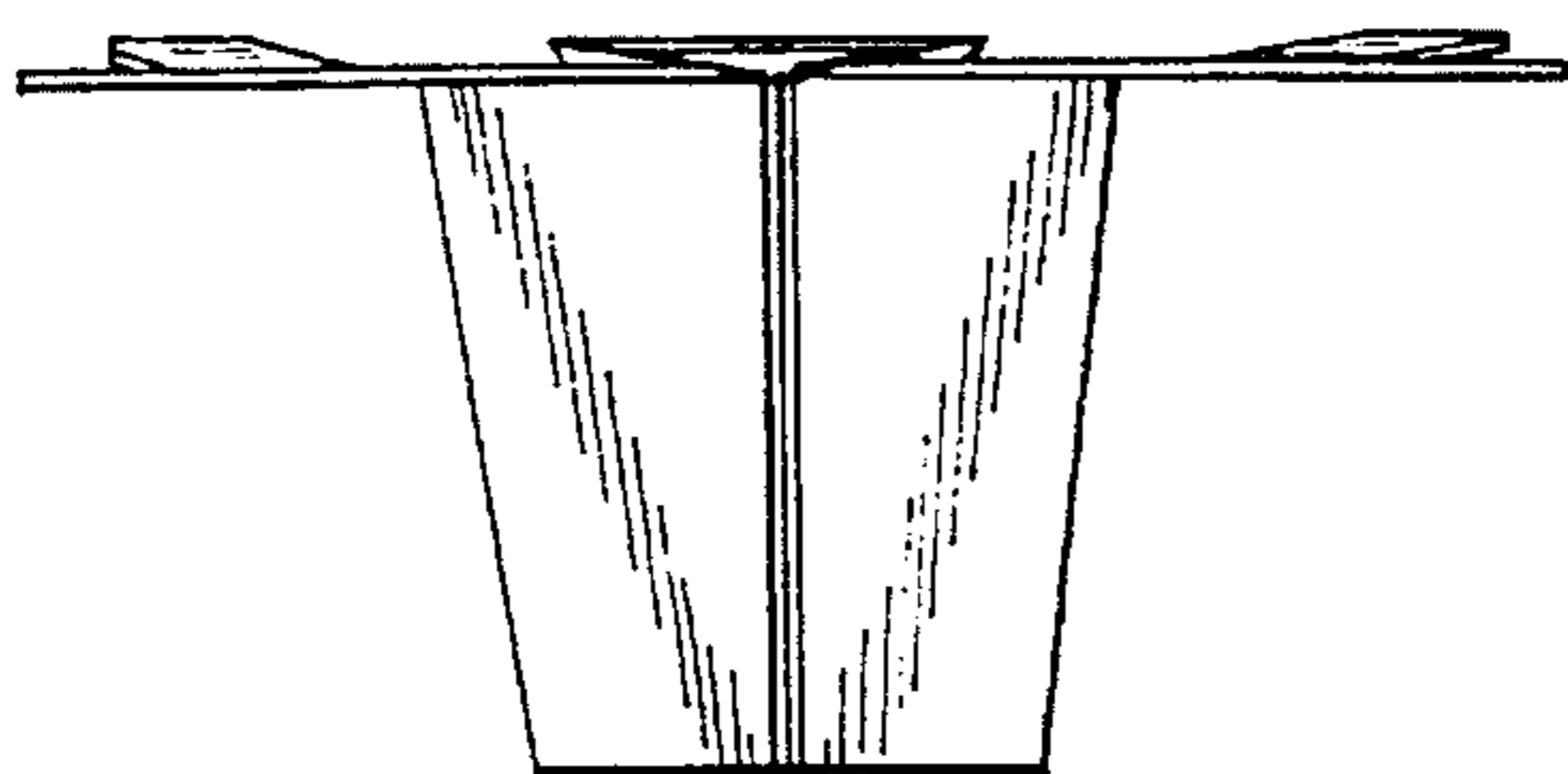


FIG. 3

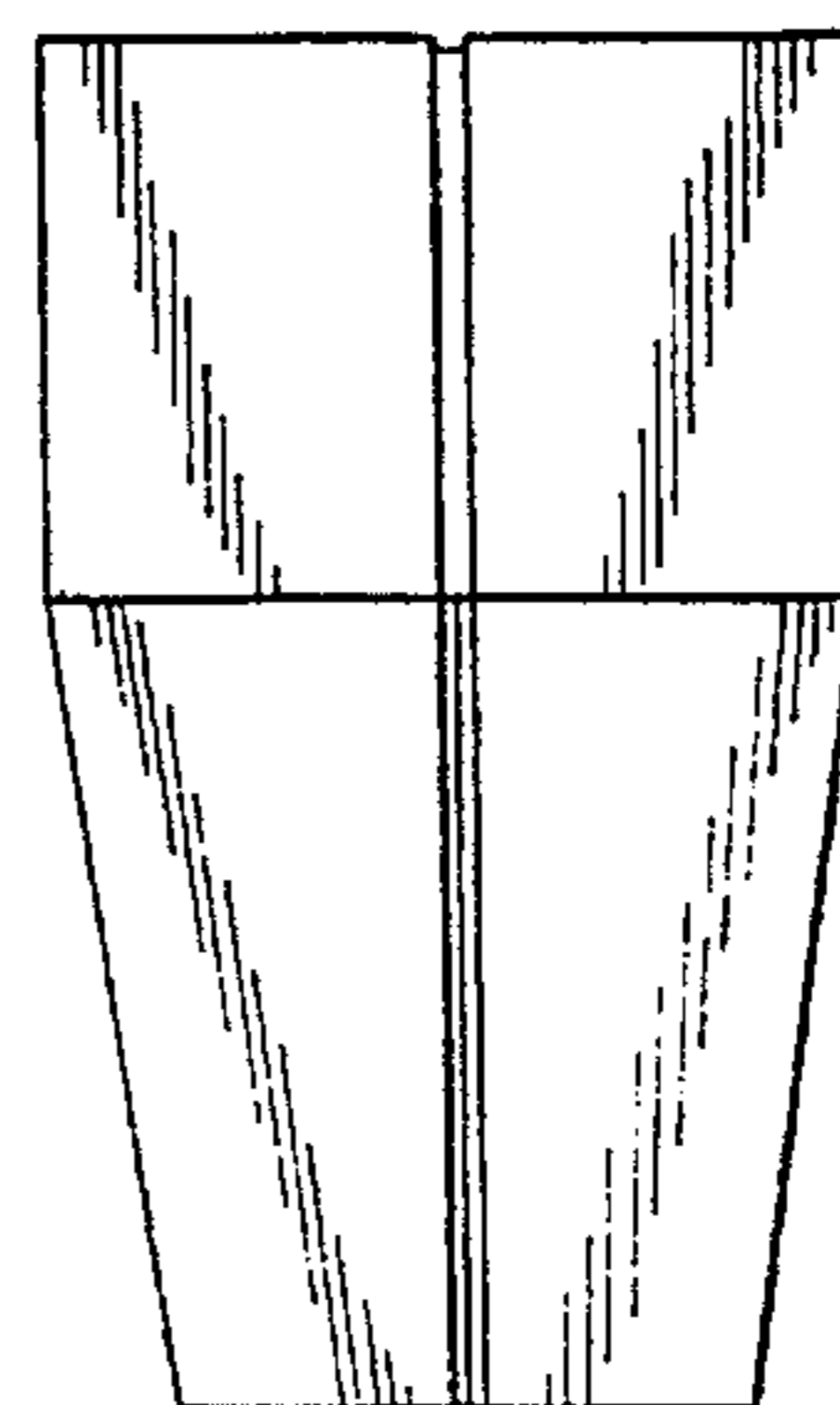


FIG. 4

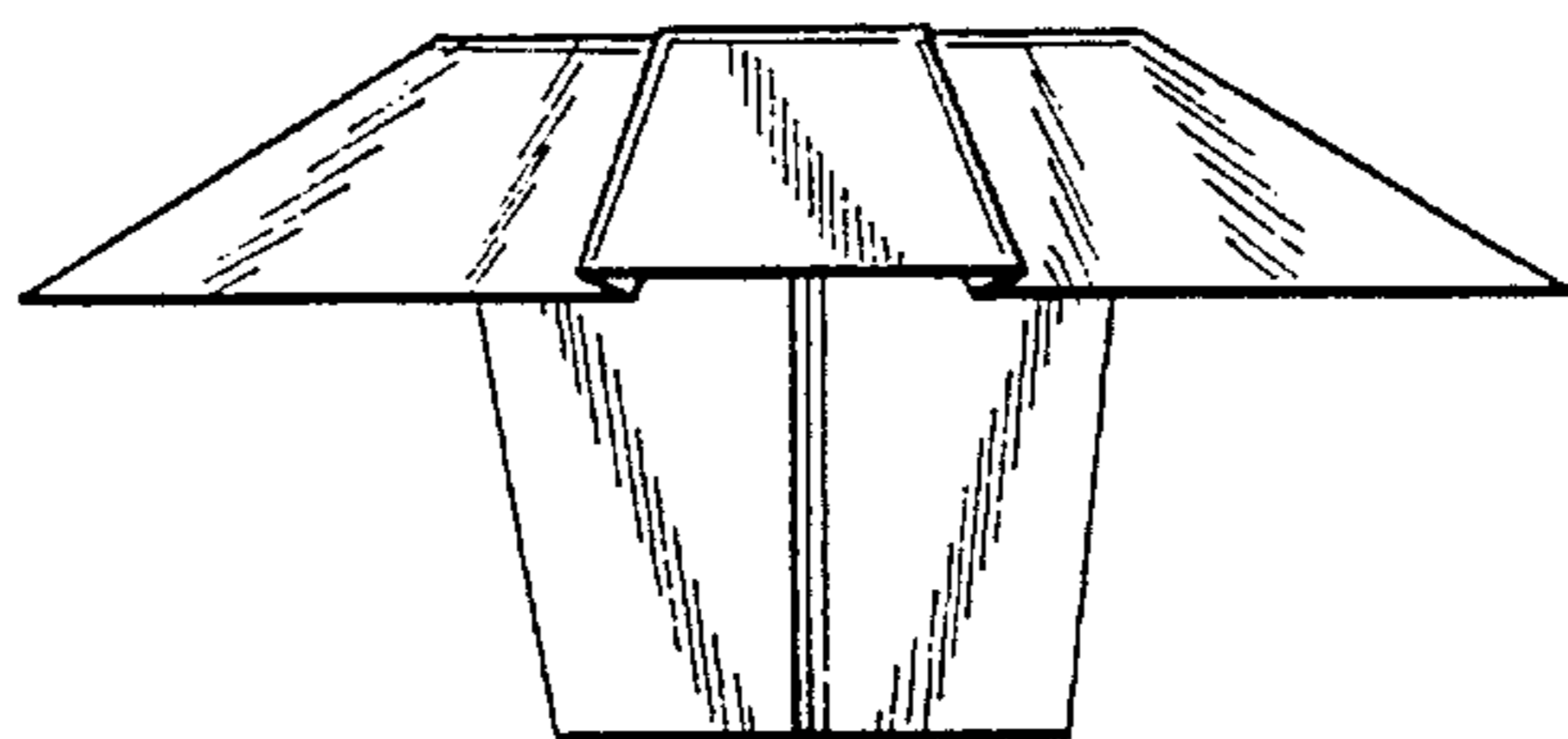


FIG. 5

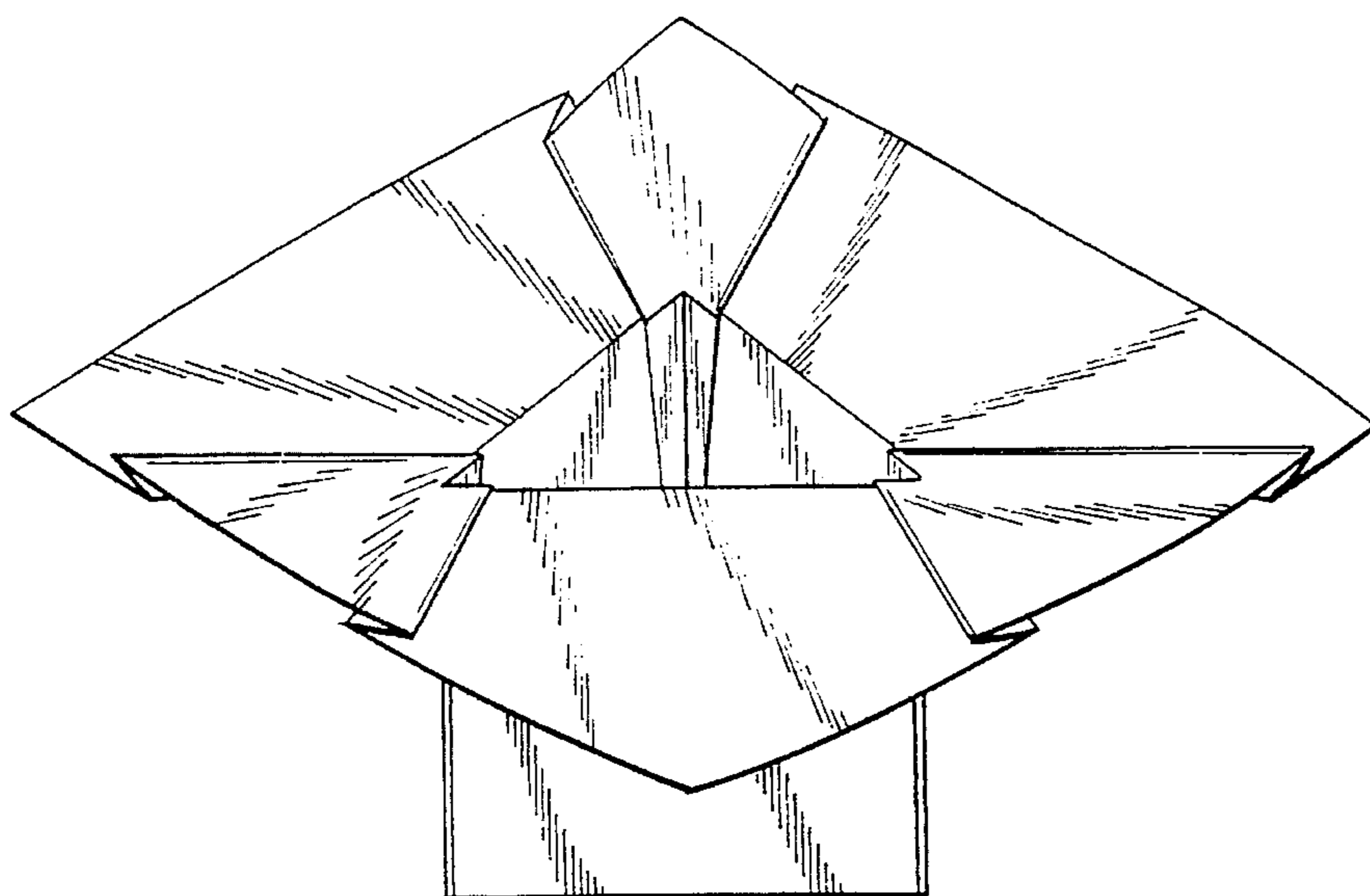


FIG. 11

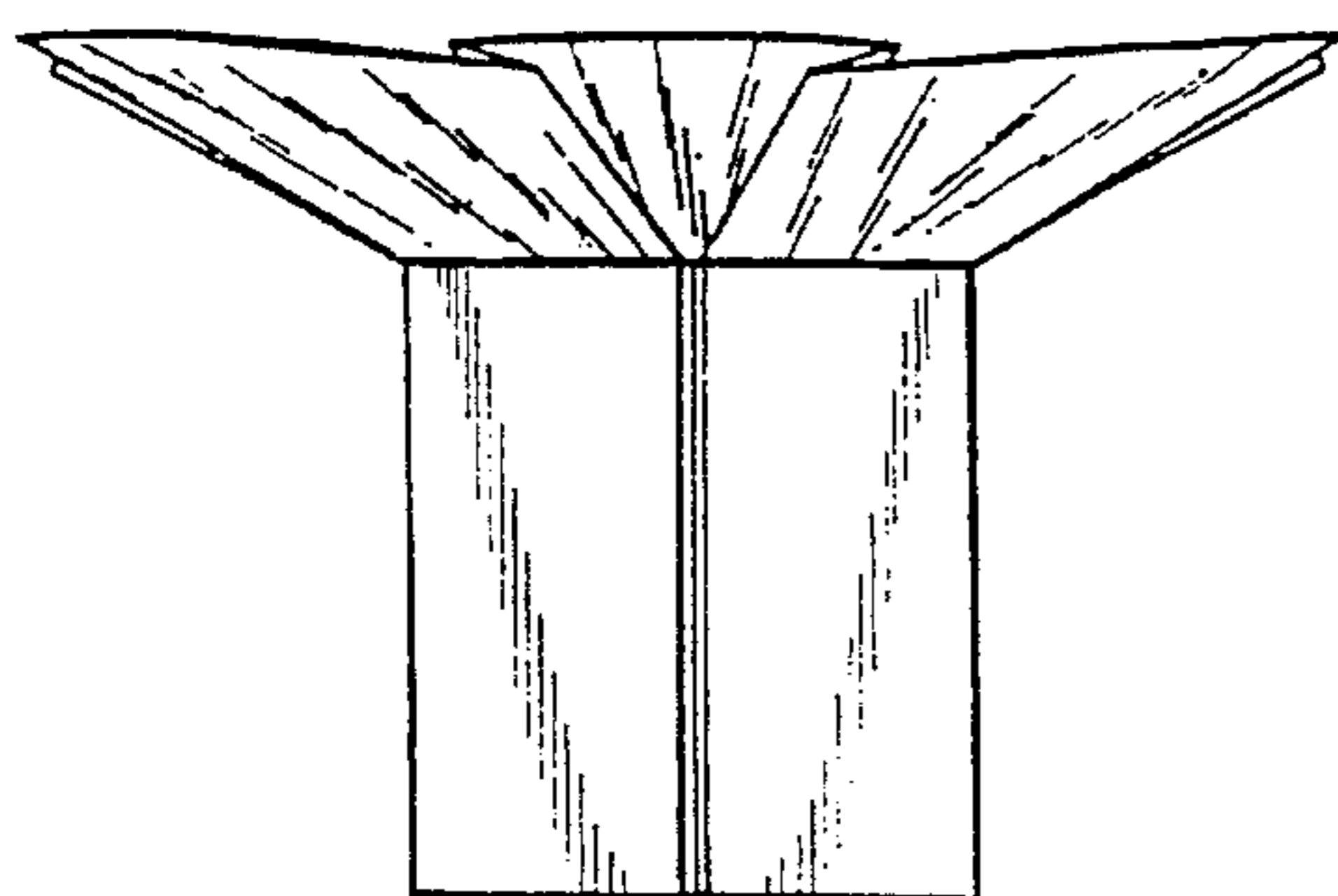


FIG. 12

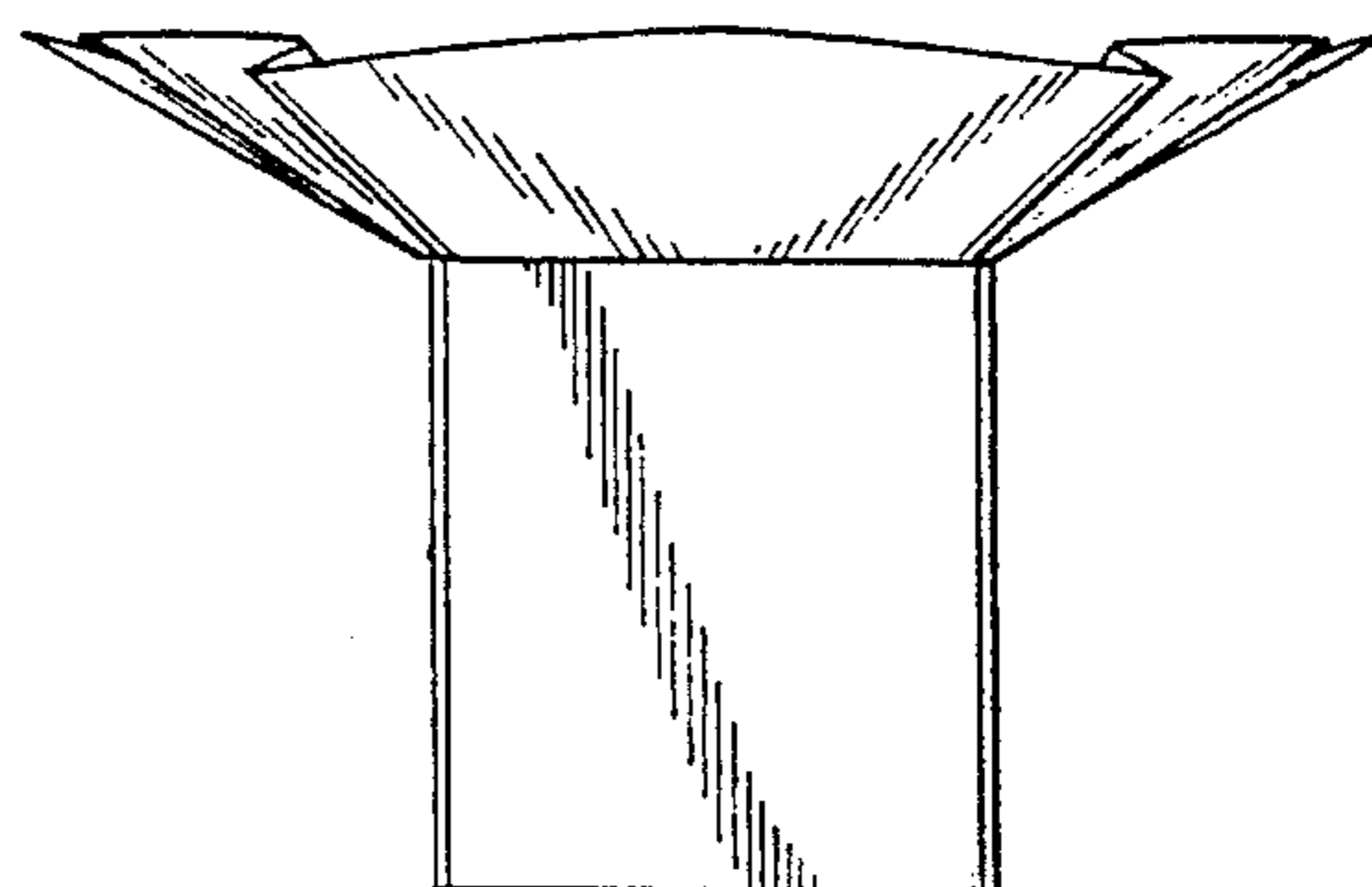


FIG. 13

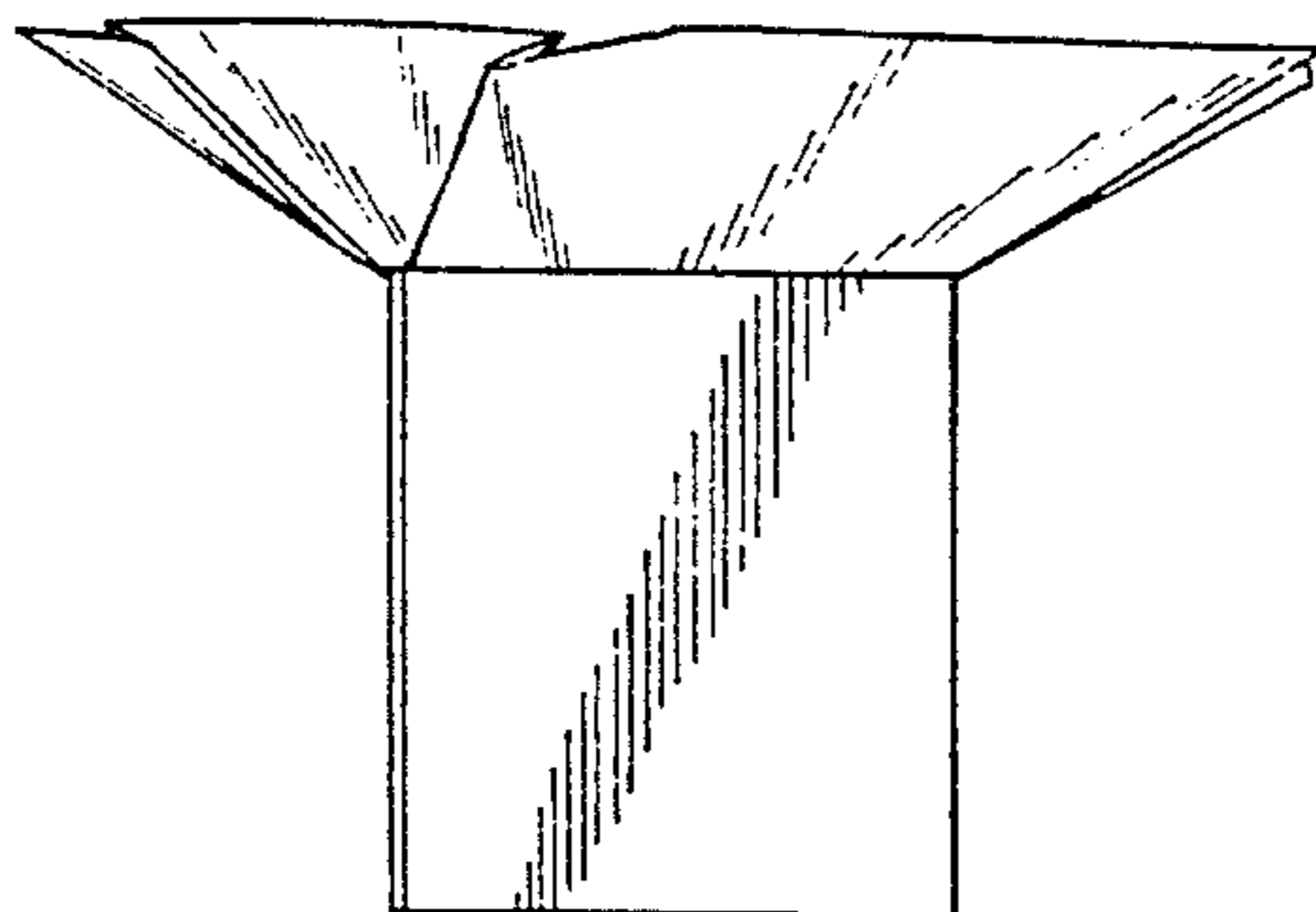


FIG. 14

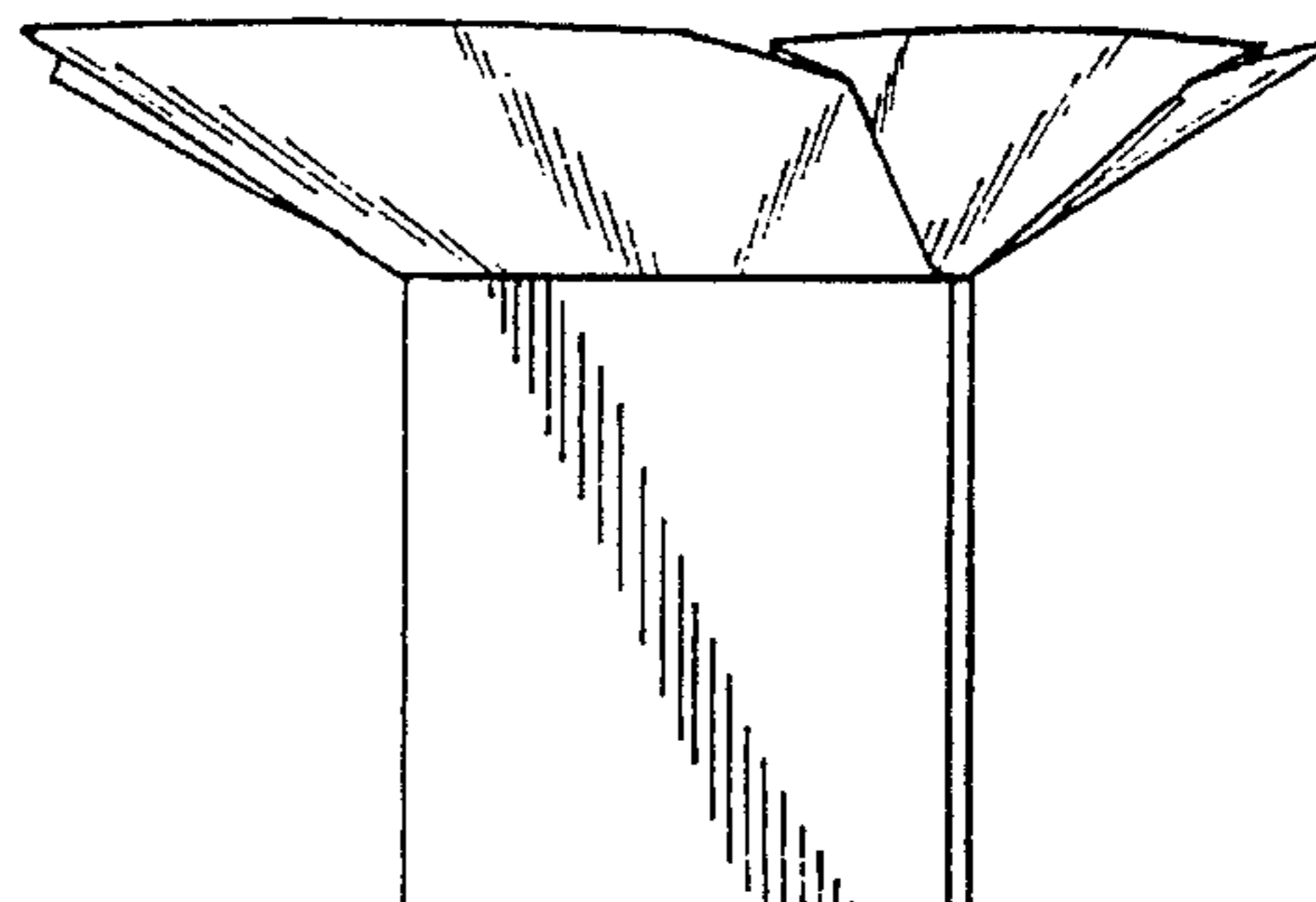


FIG. 15

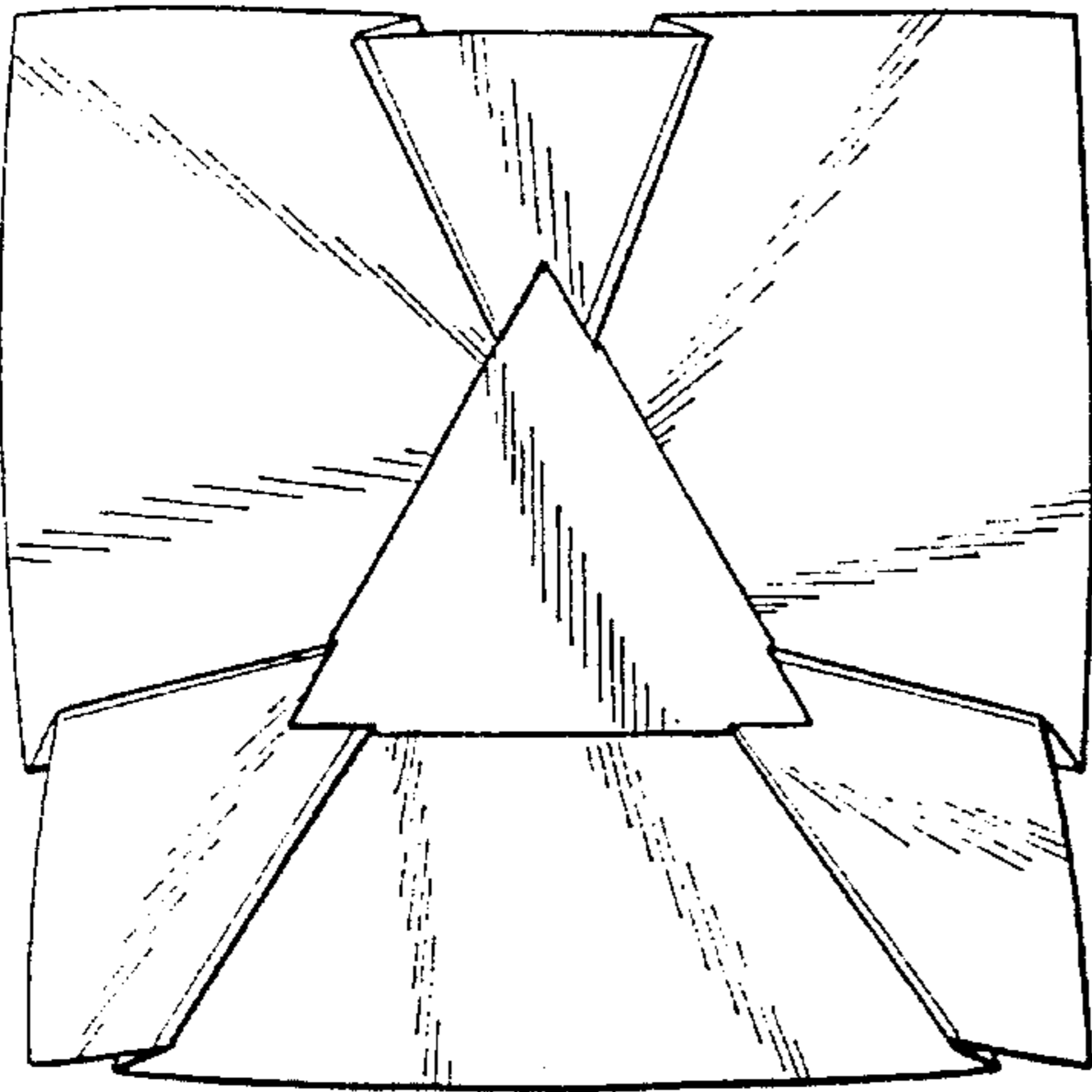


FIG. 16

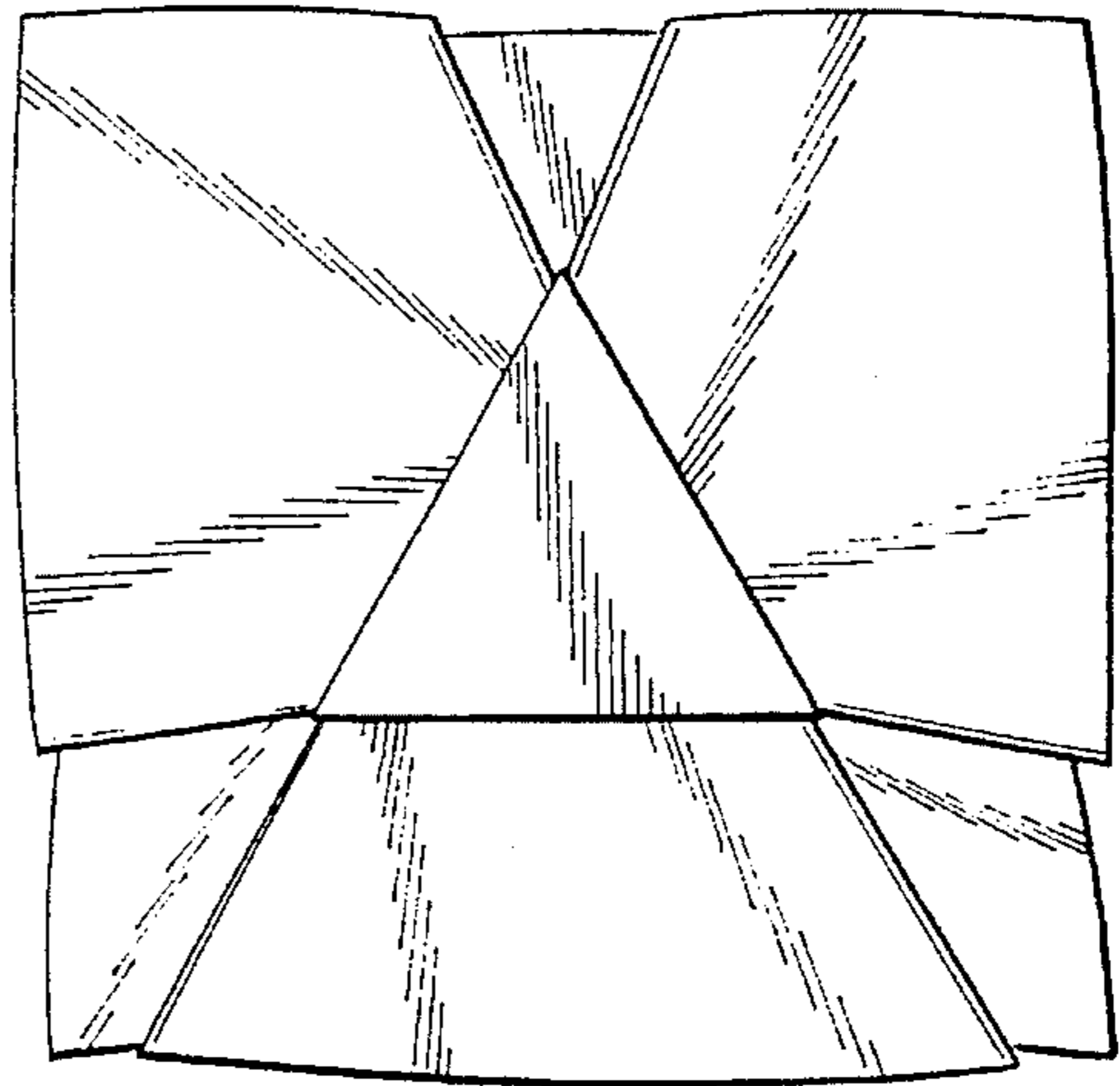


FIG. 17

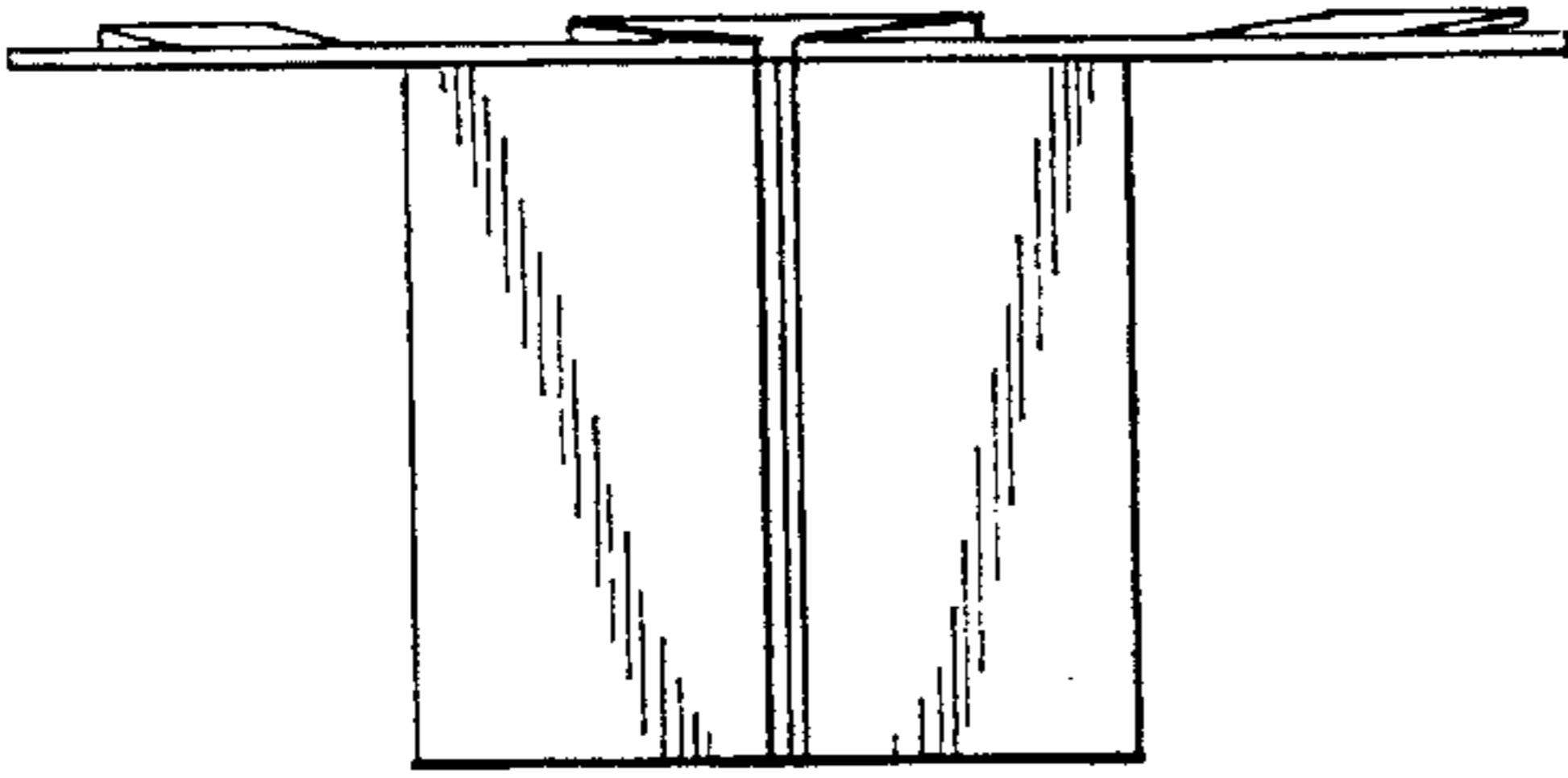


FIG. 18

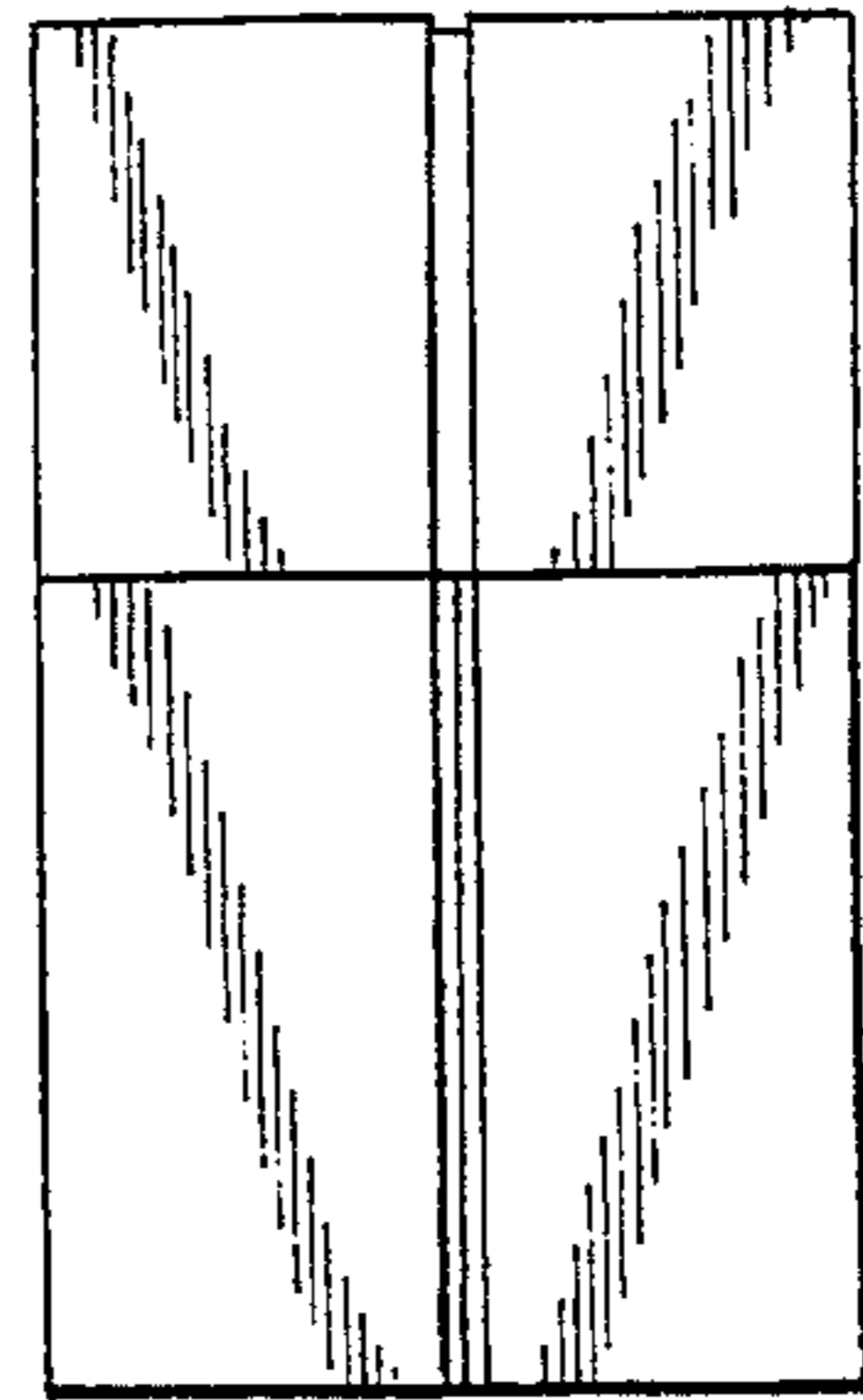


FIG. 19

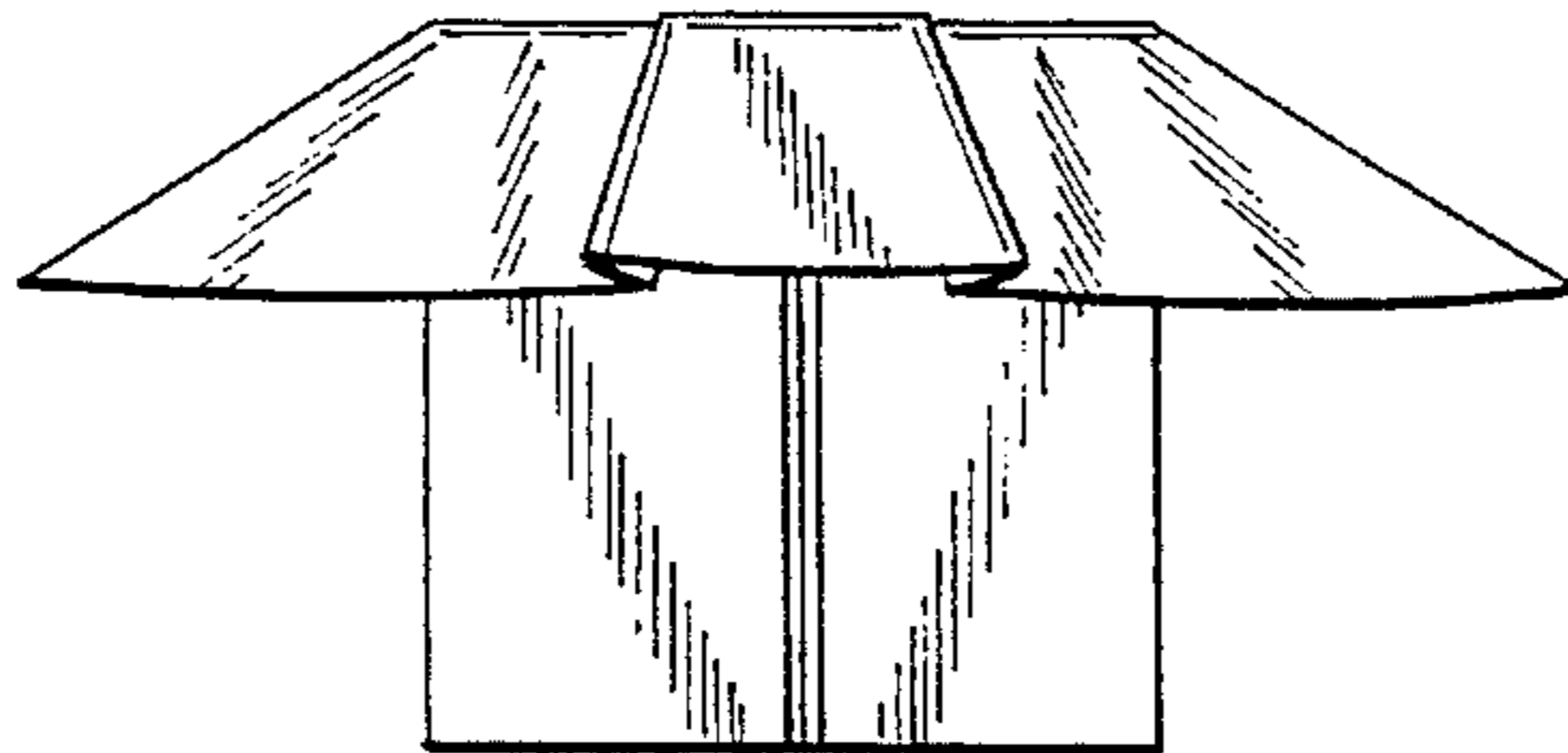


FIG. 20

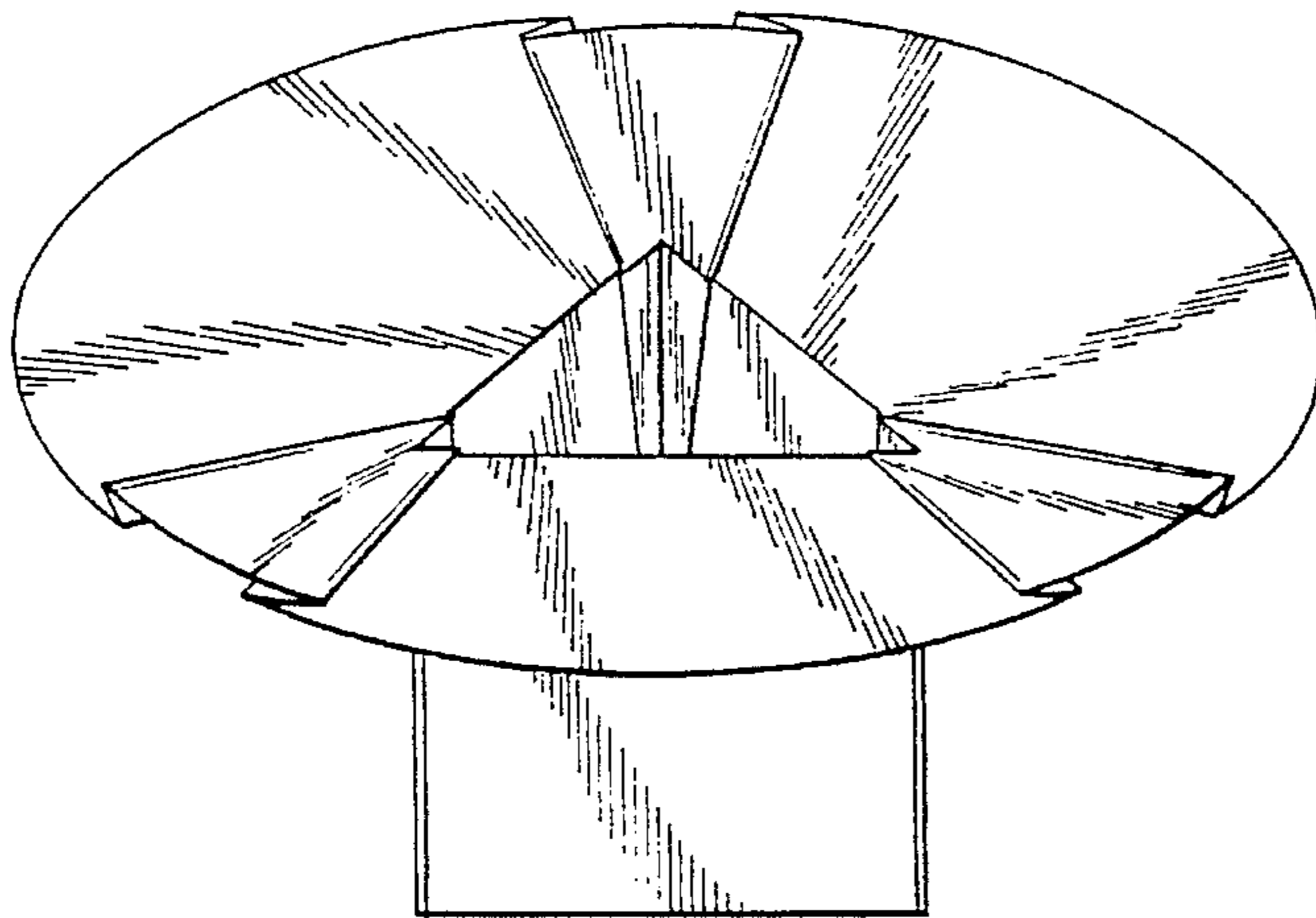


FIG. 21

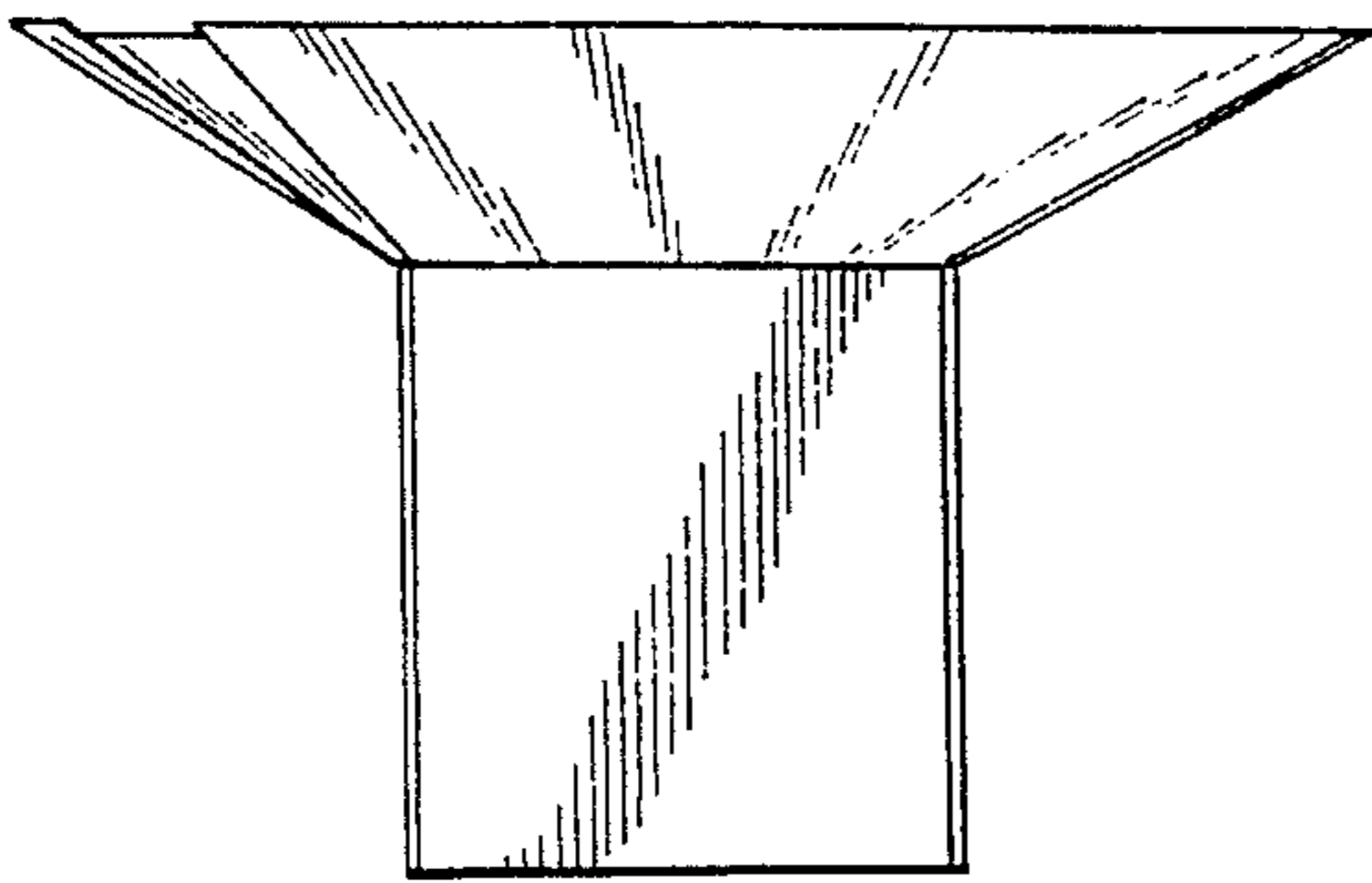


FIG. 22

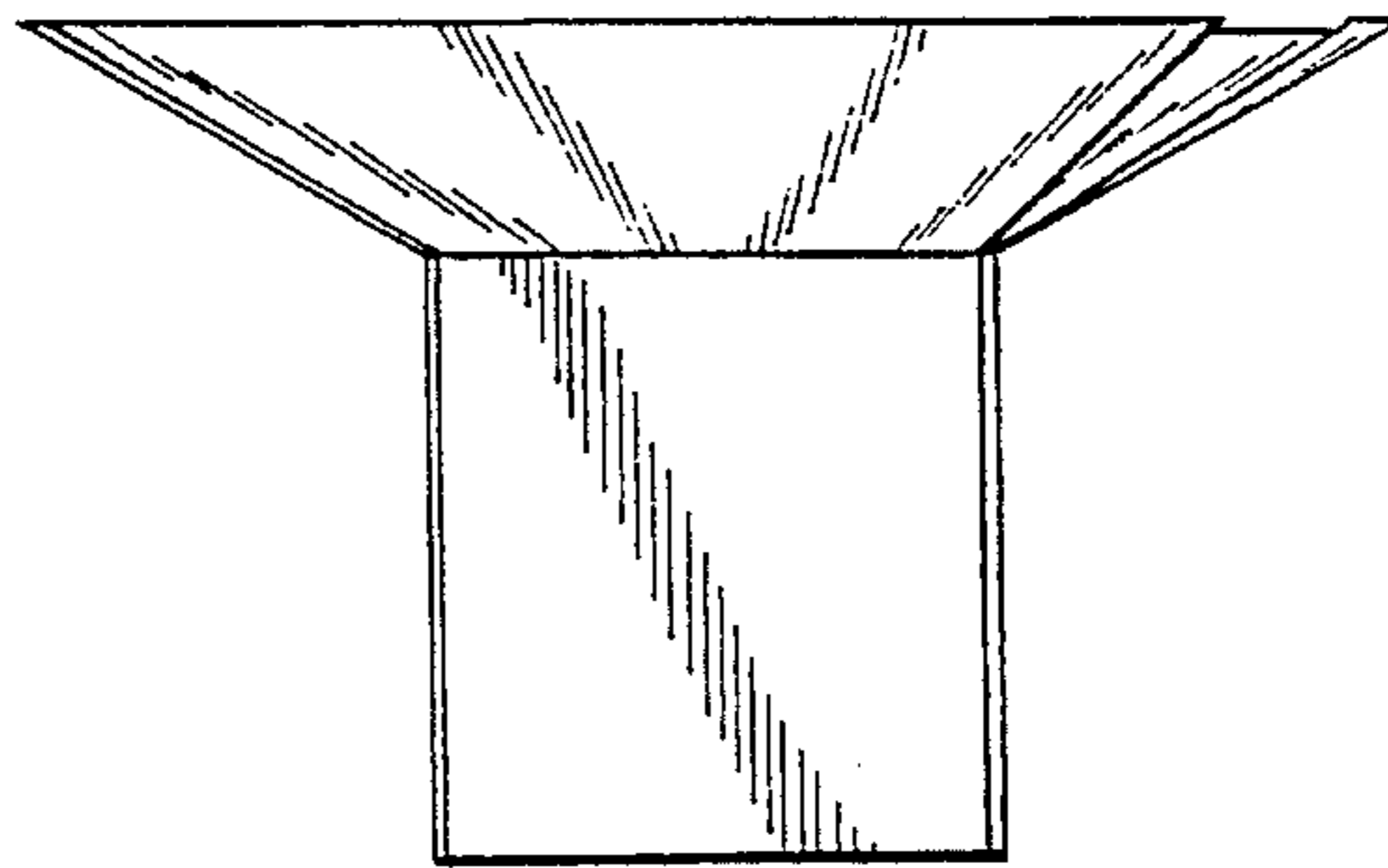


FIG. 23

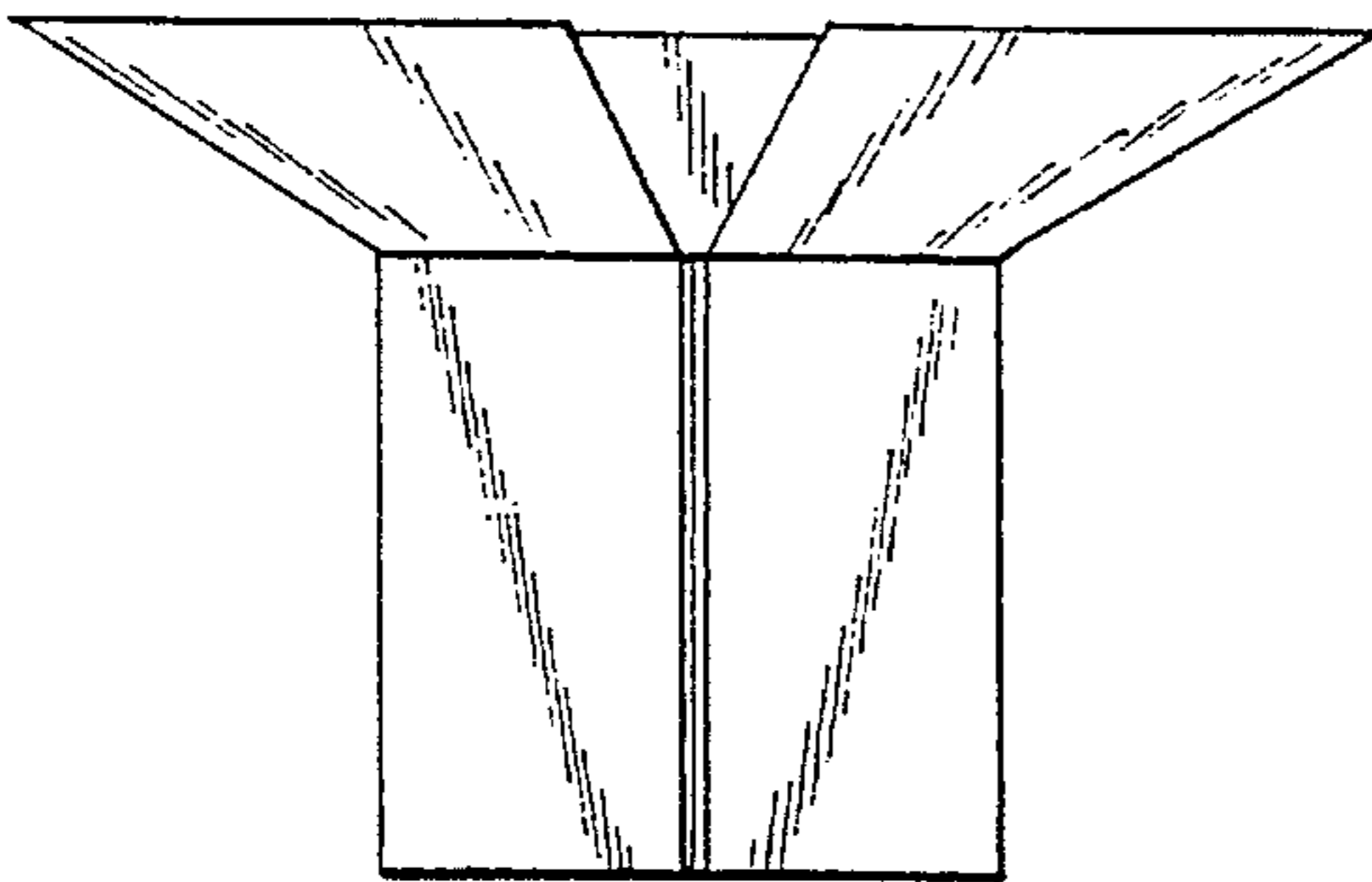


FIG. 24

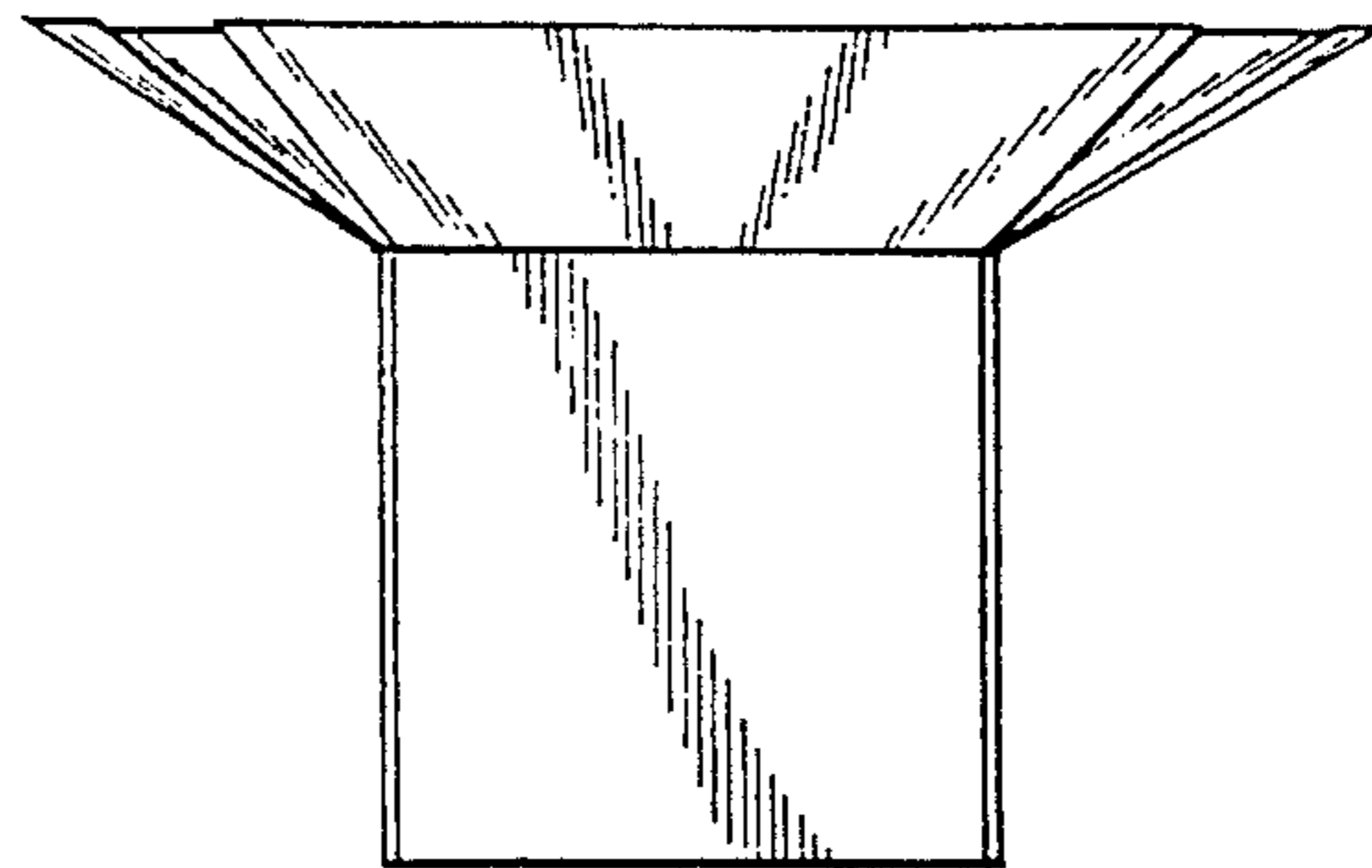


FIG. 25

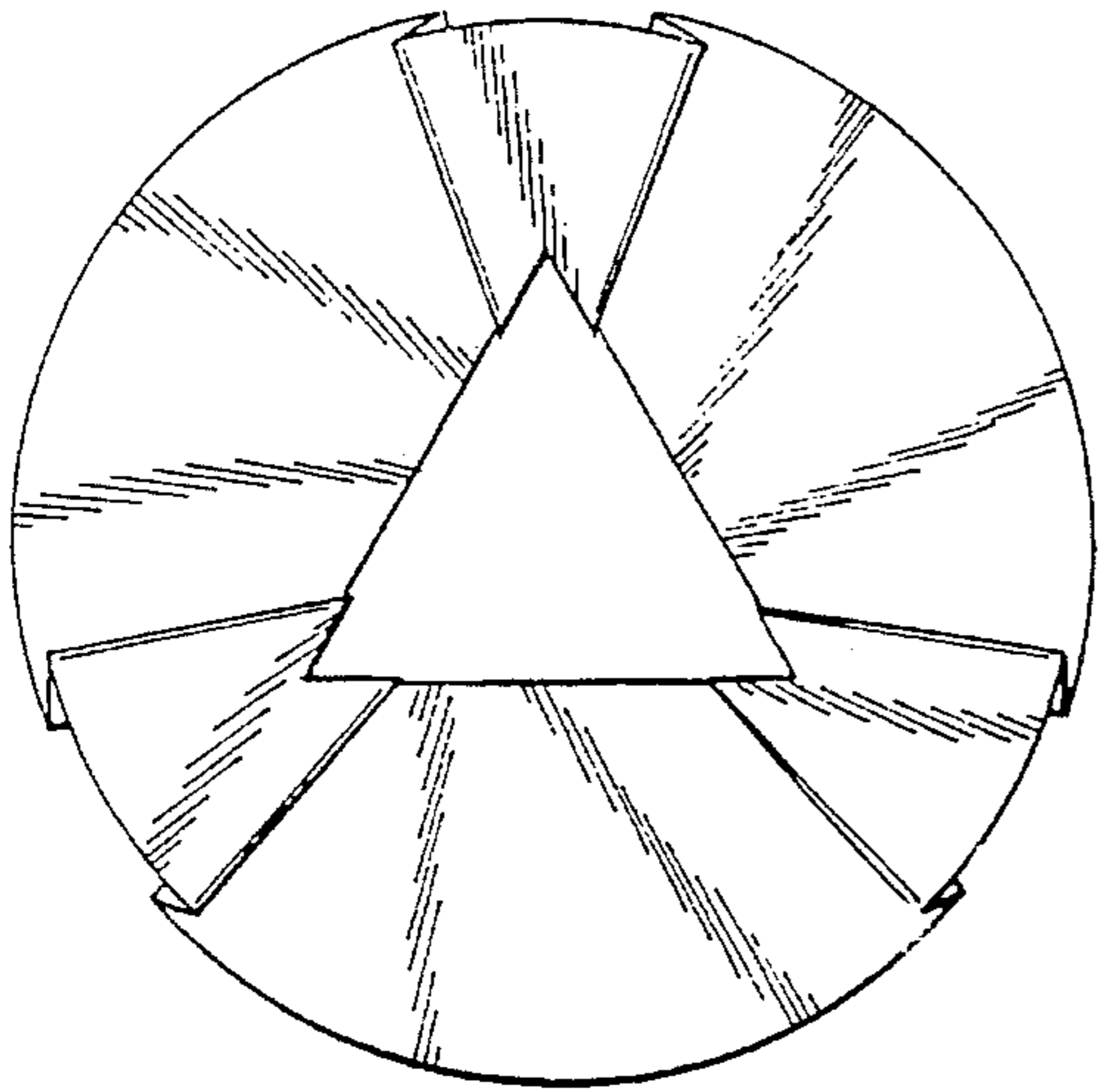


FIG. 26

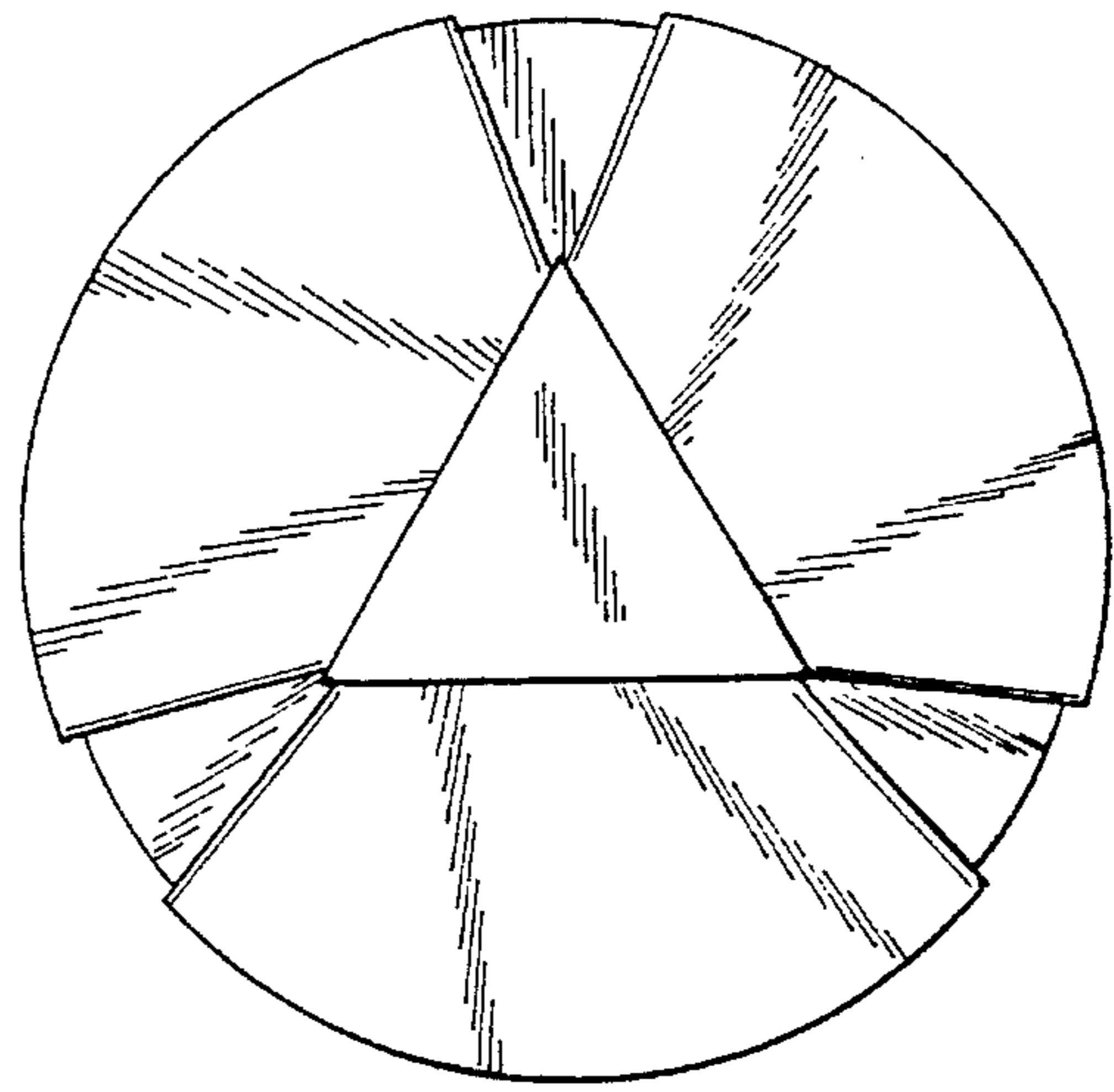


FIG. 27

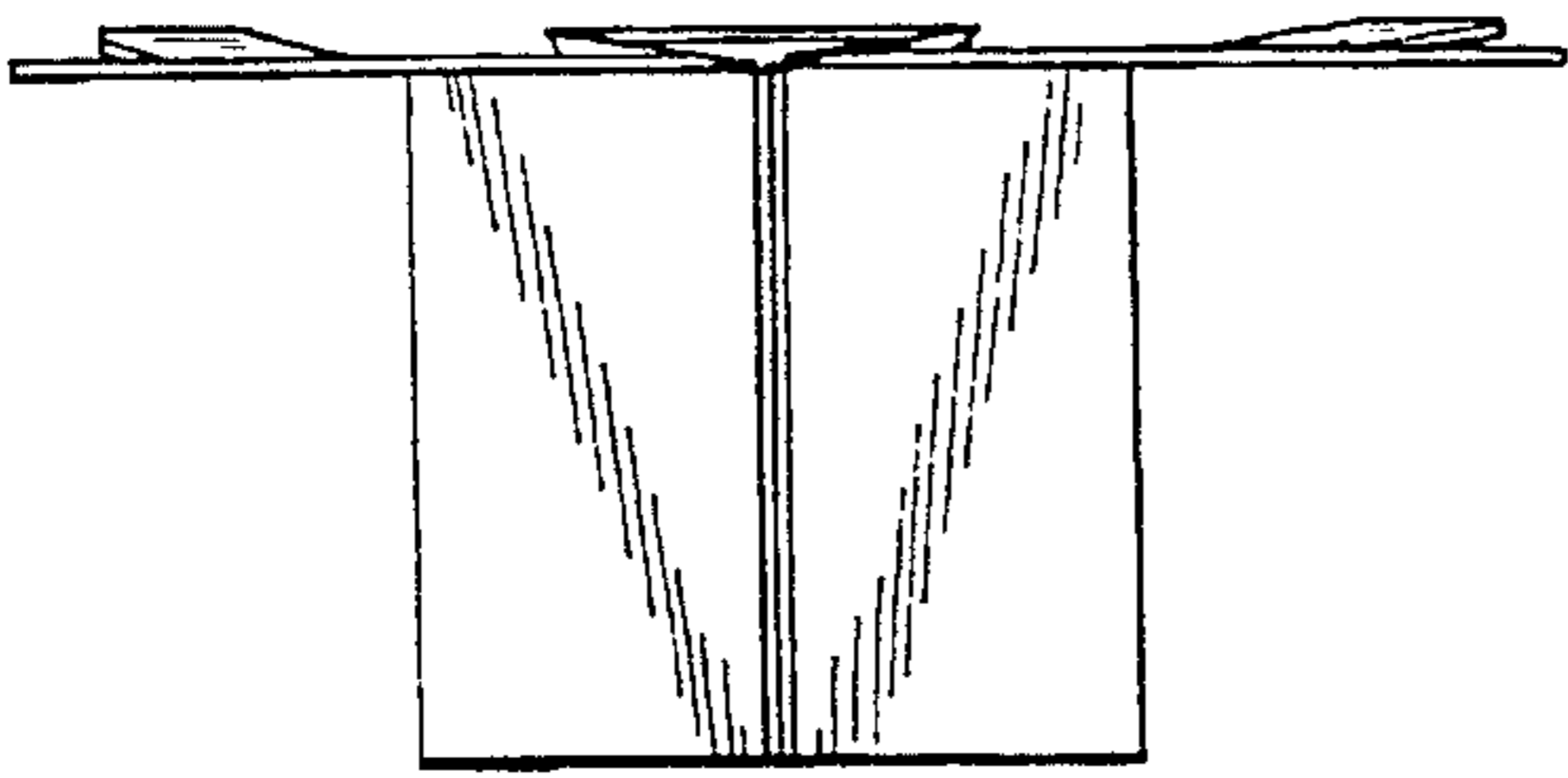


FIG. 28

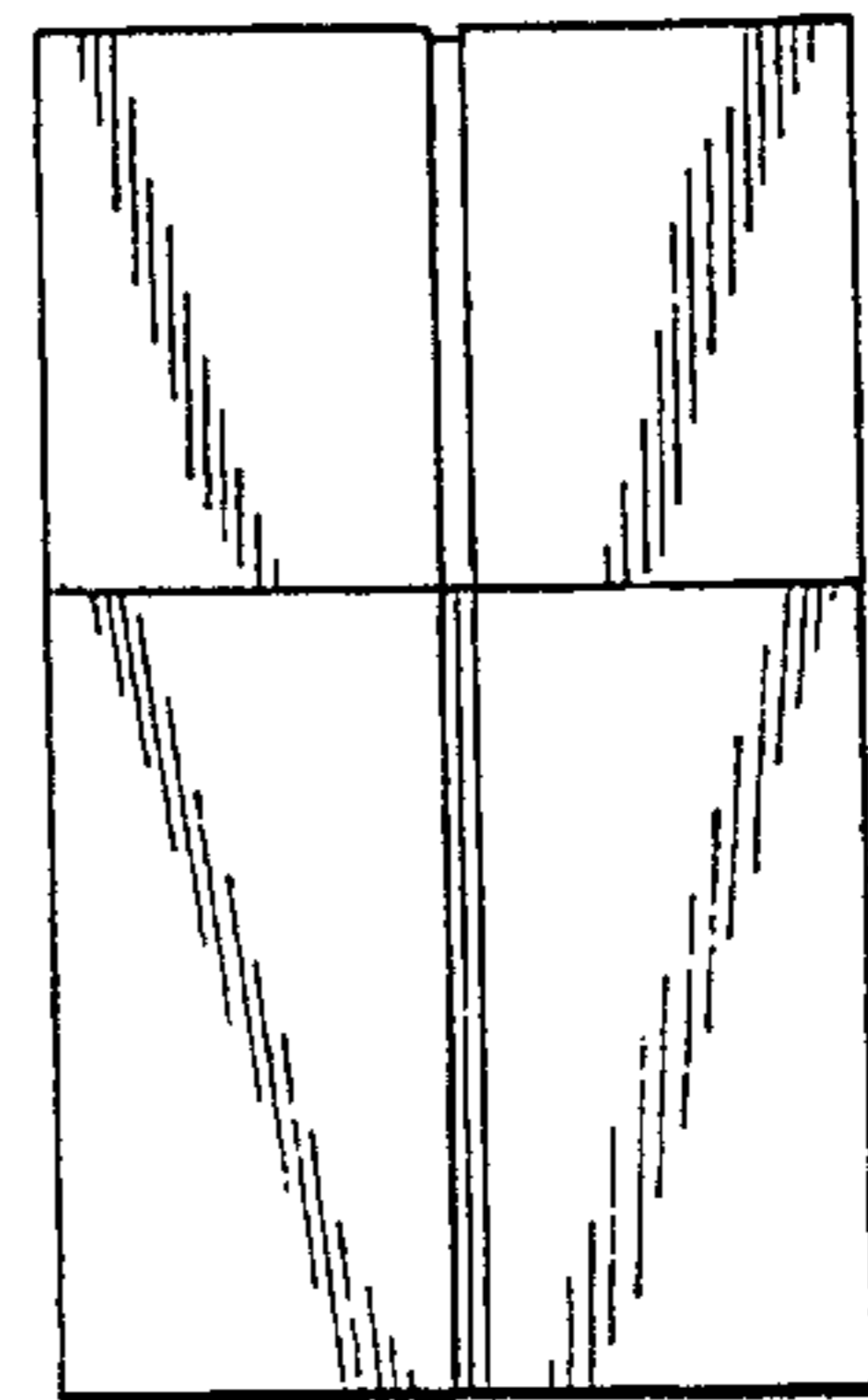


FIG. 29

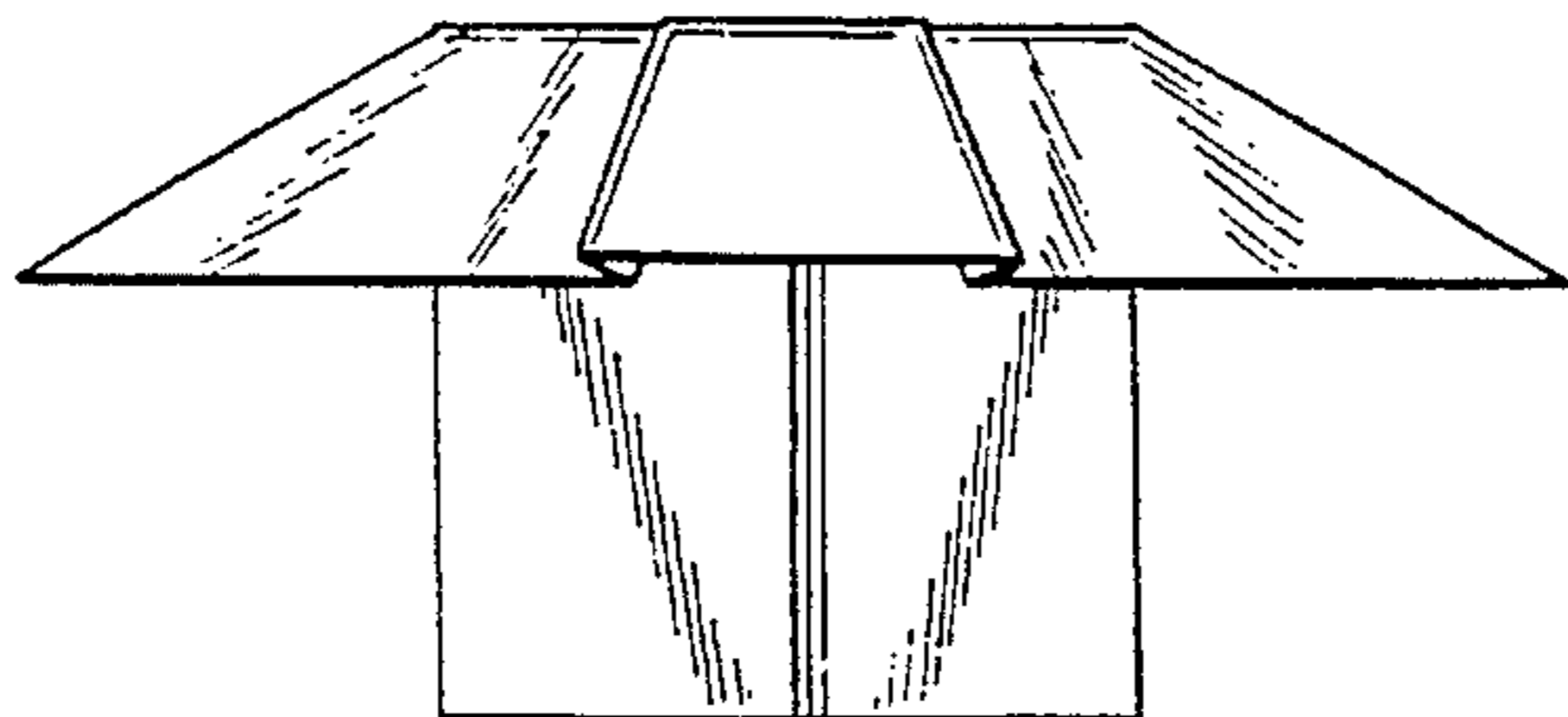


FIG. 30

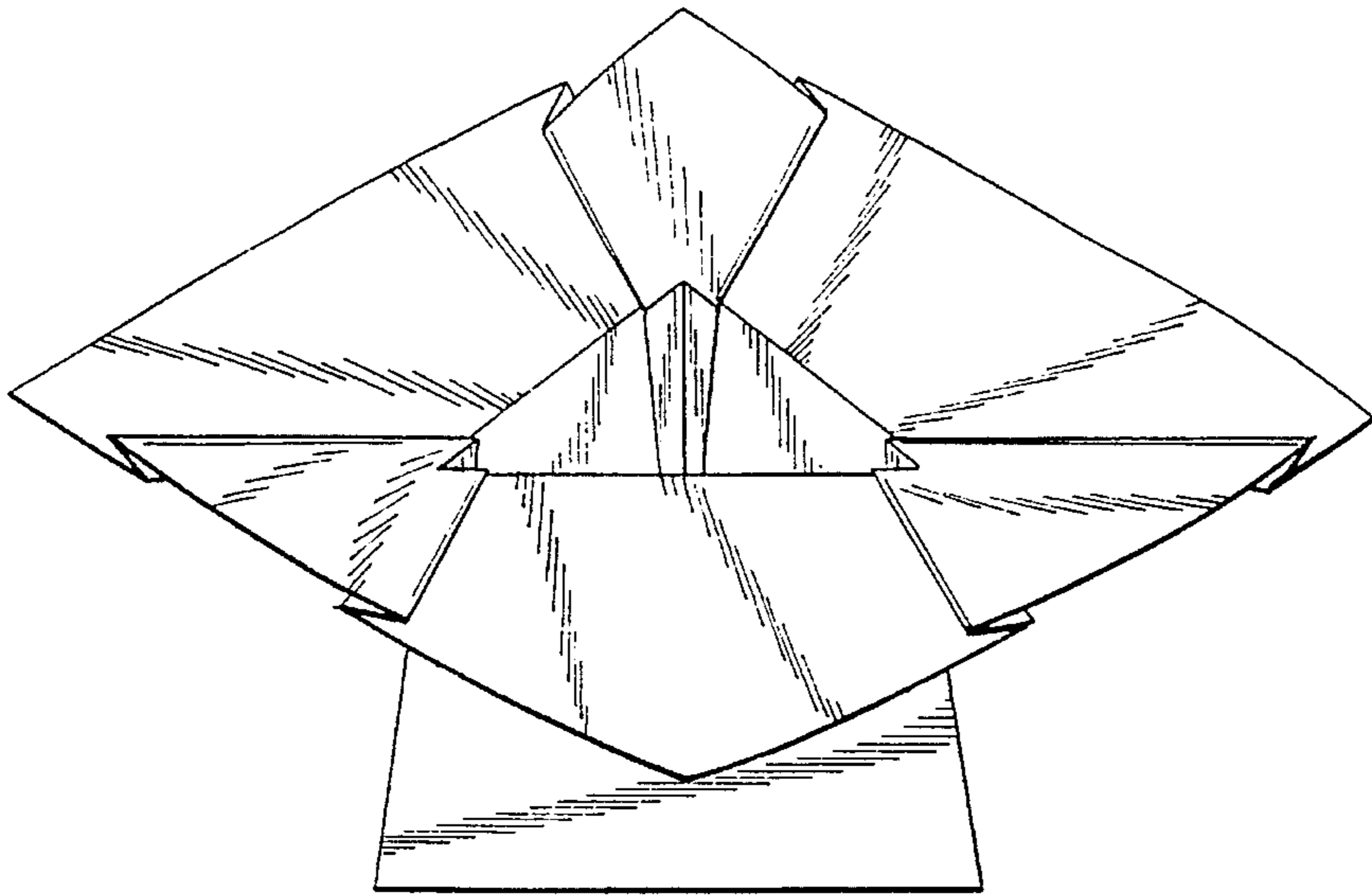


FIG. 31

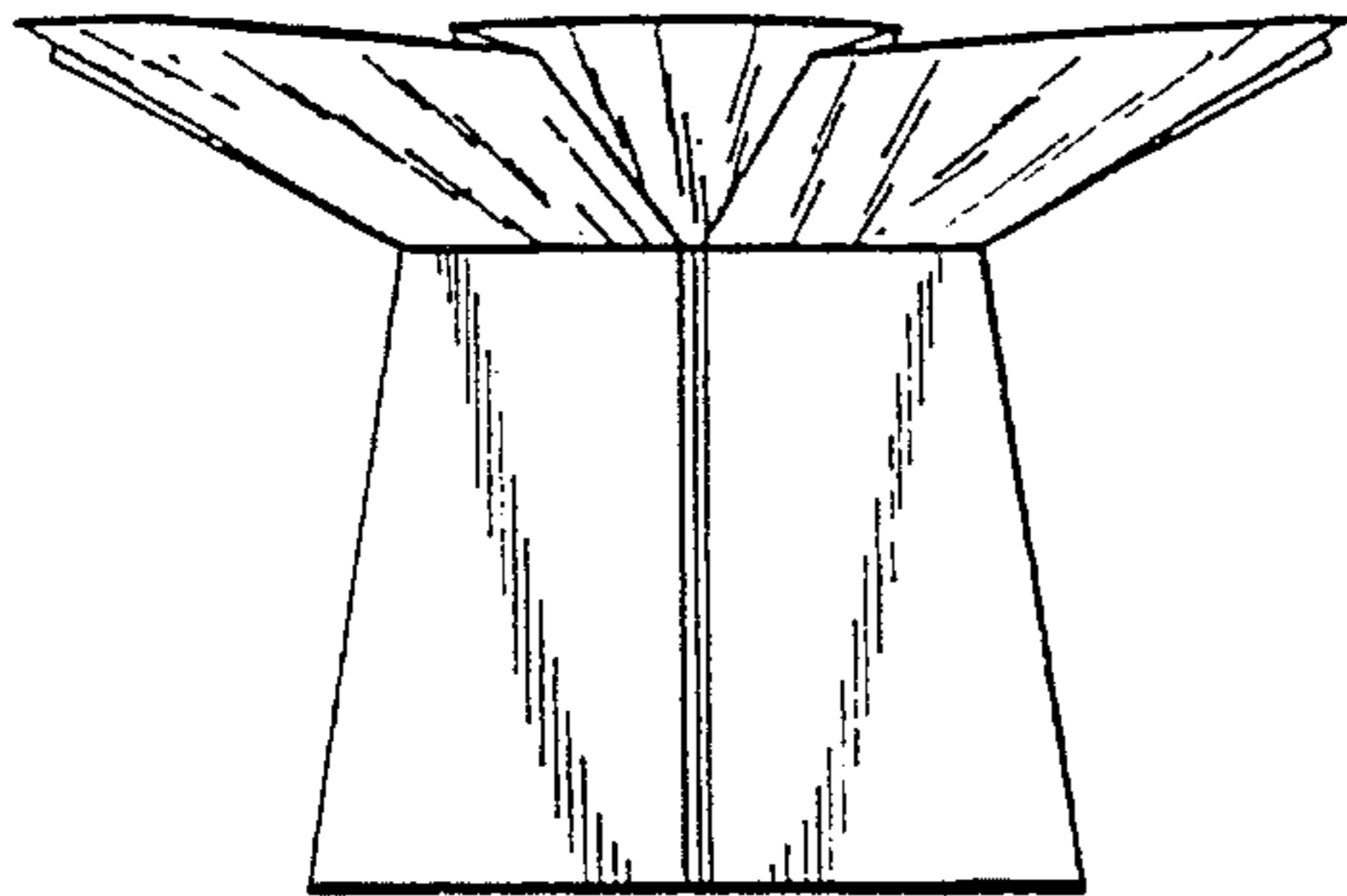


FIG. 32

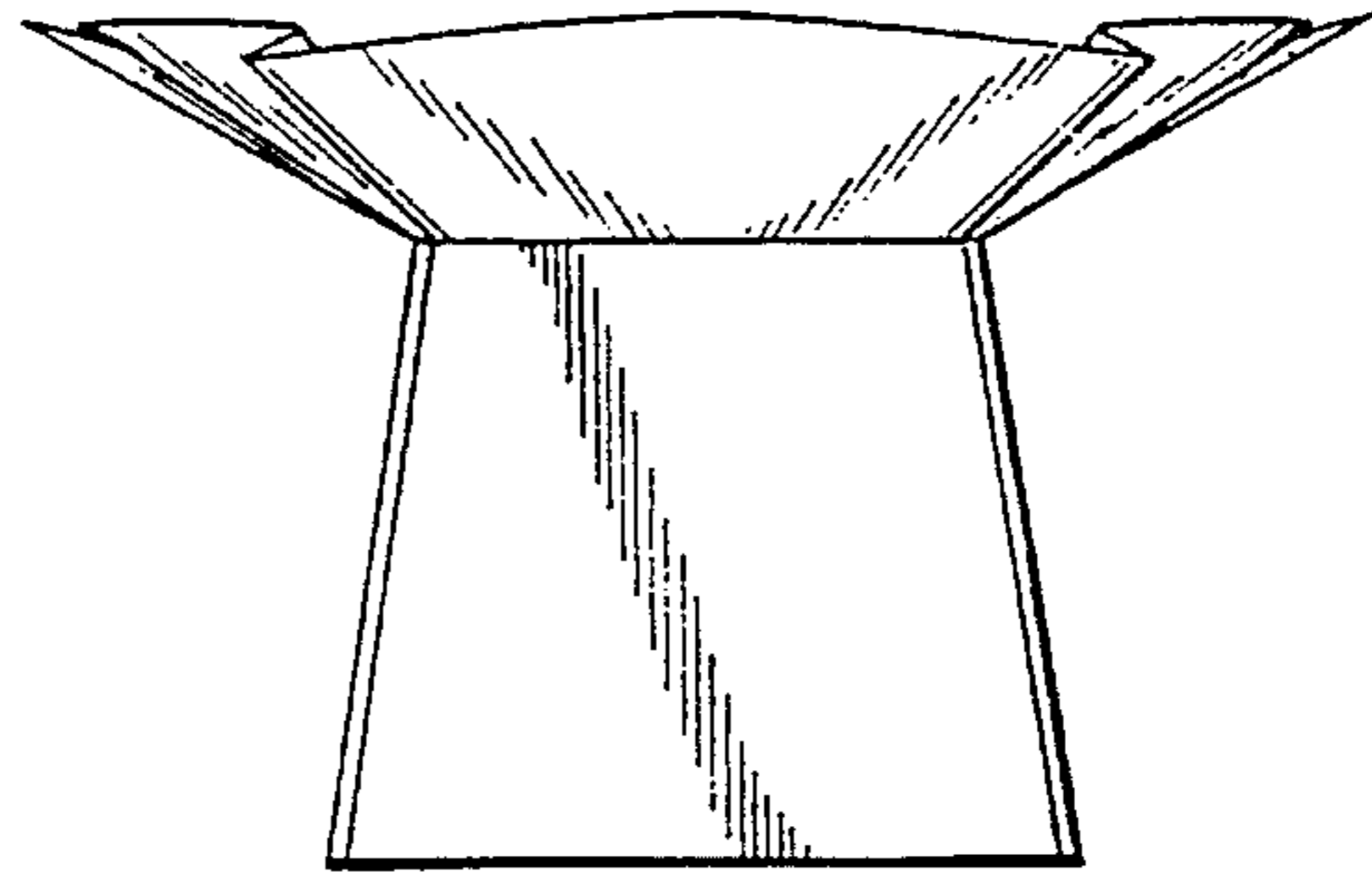


FIG. 33

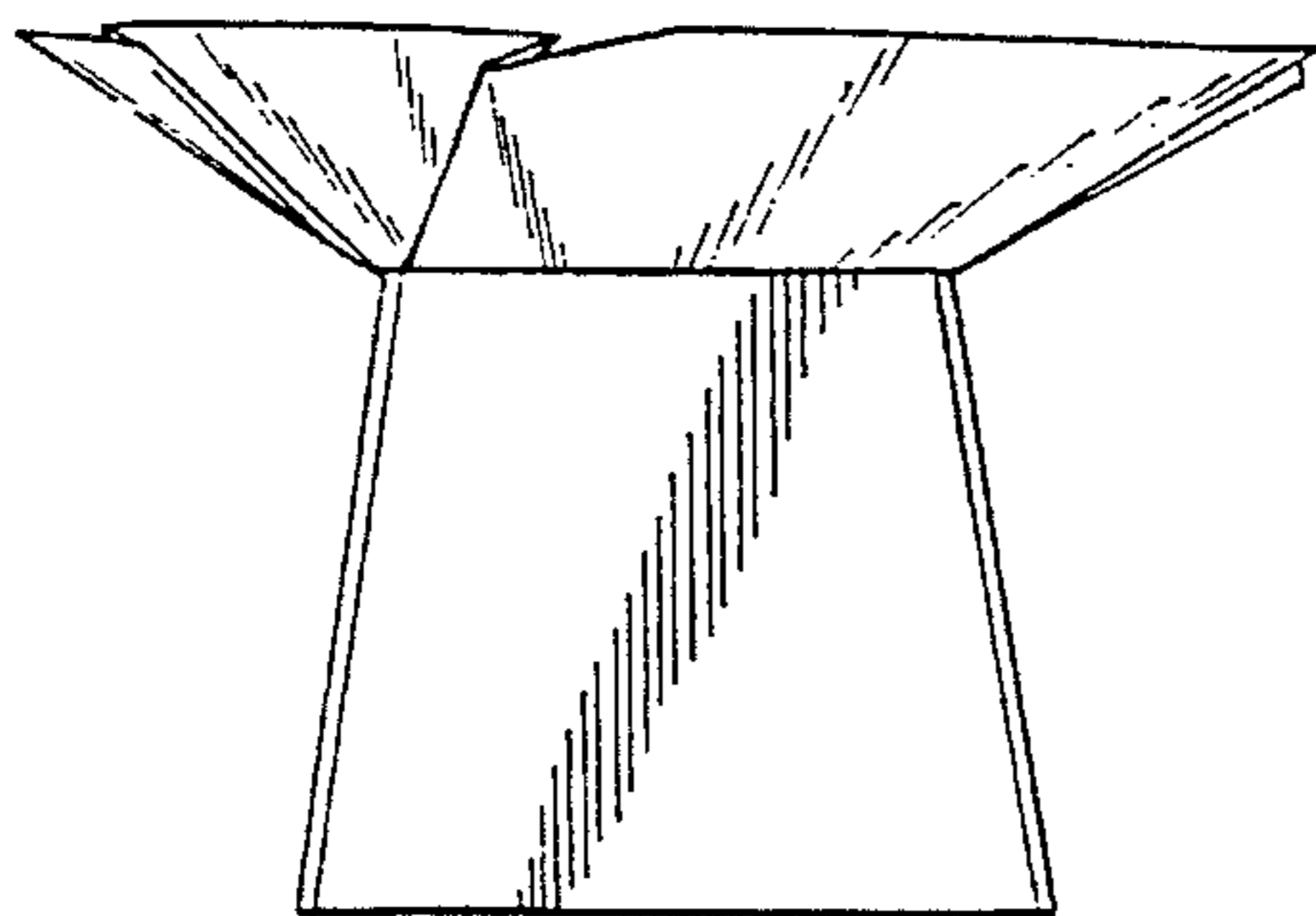


FIG. 34

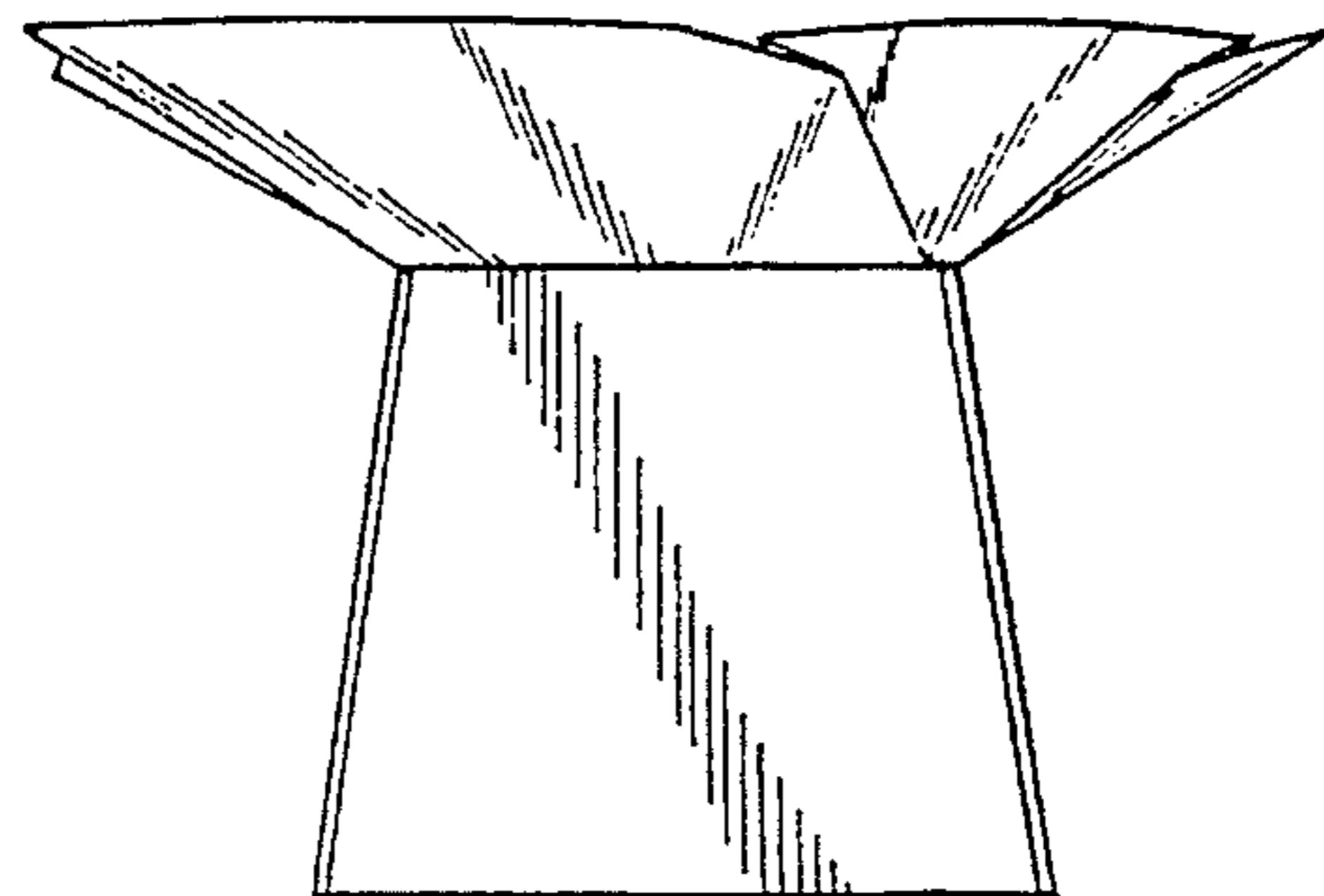


FIG. 35

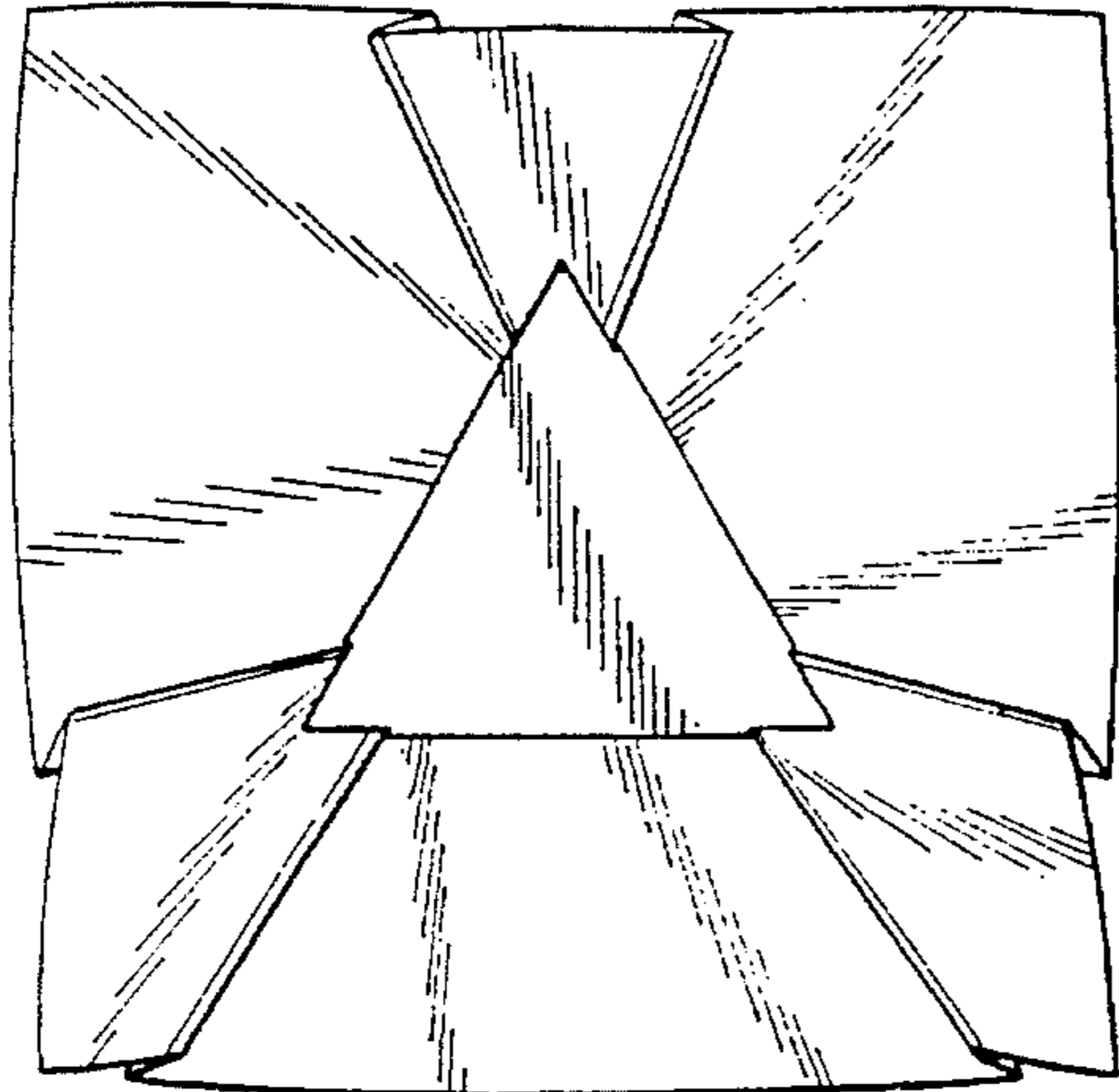


FIG. 36

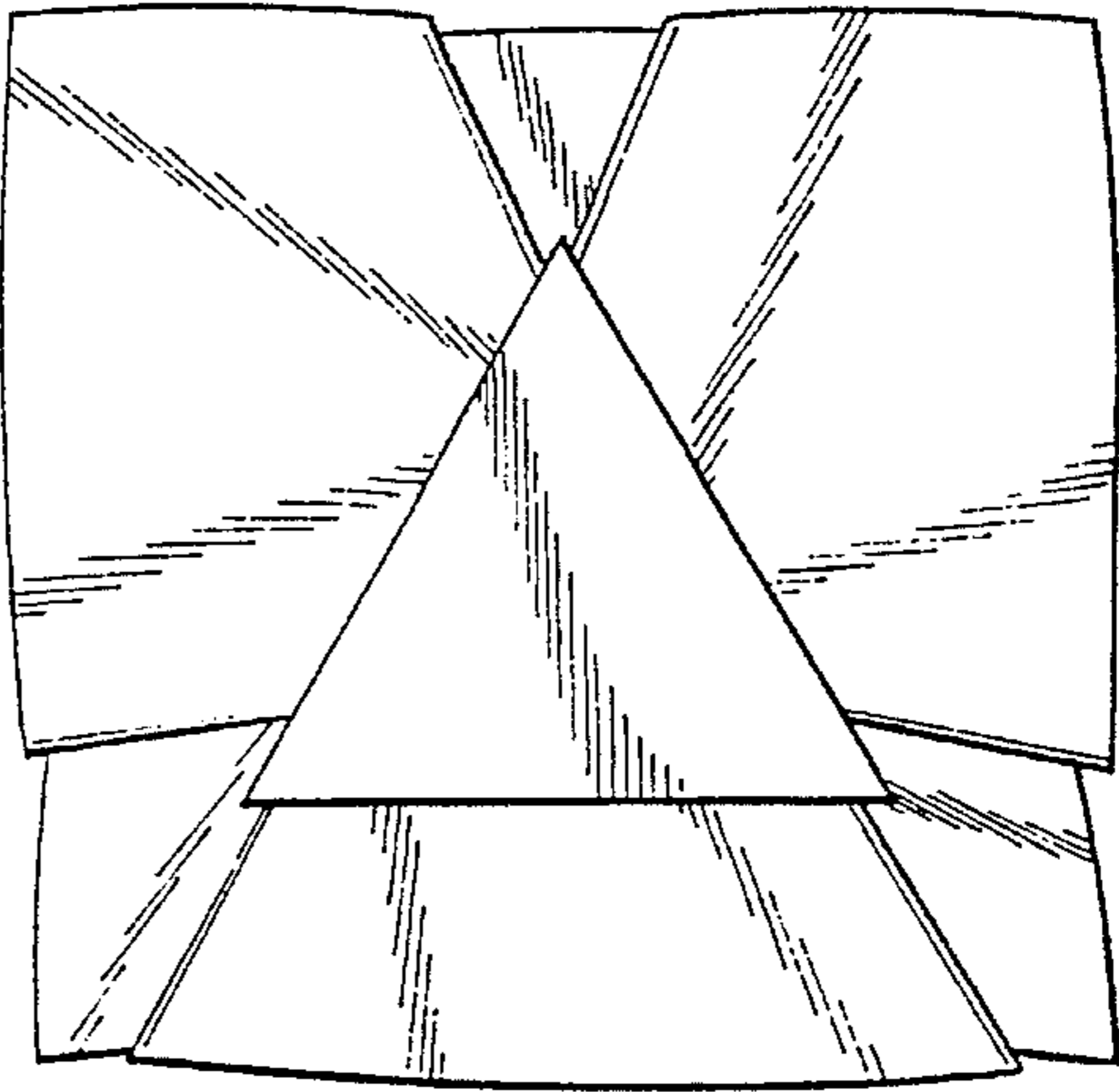


FIG. 37

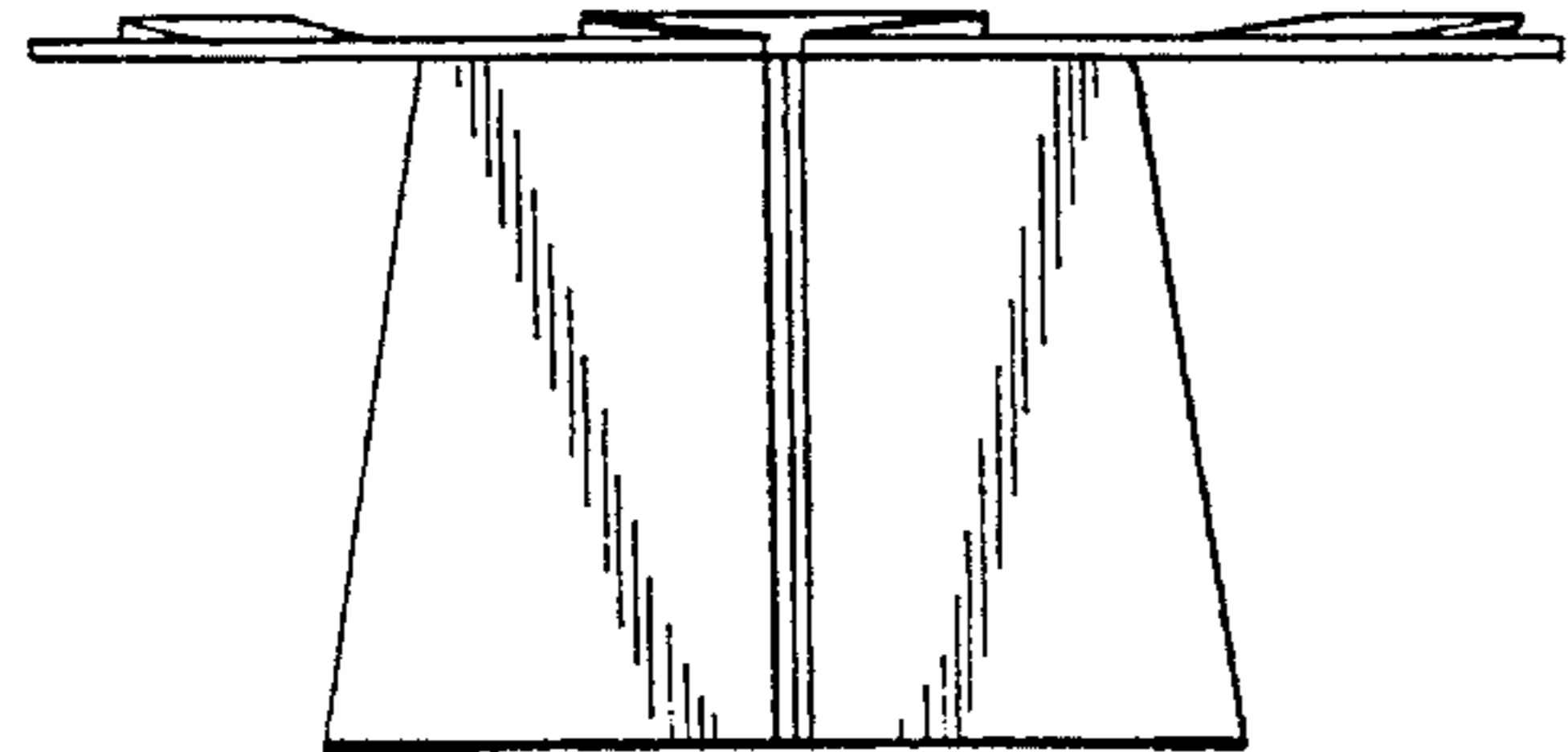


FIG. 38

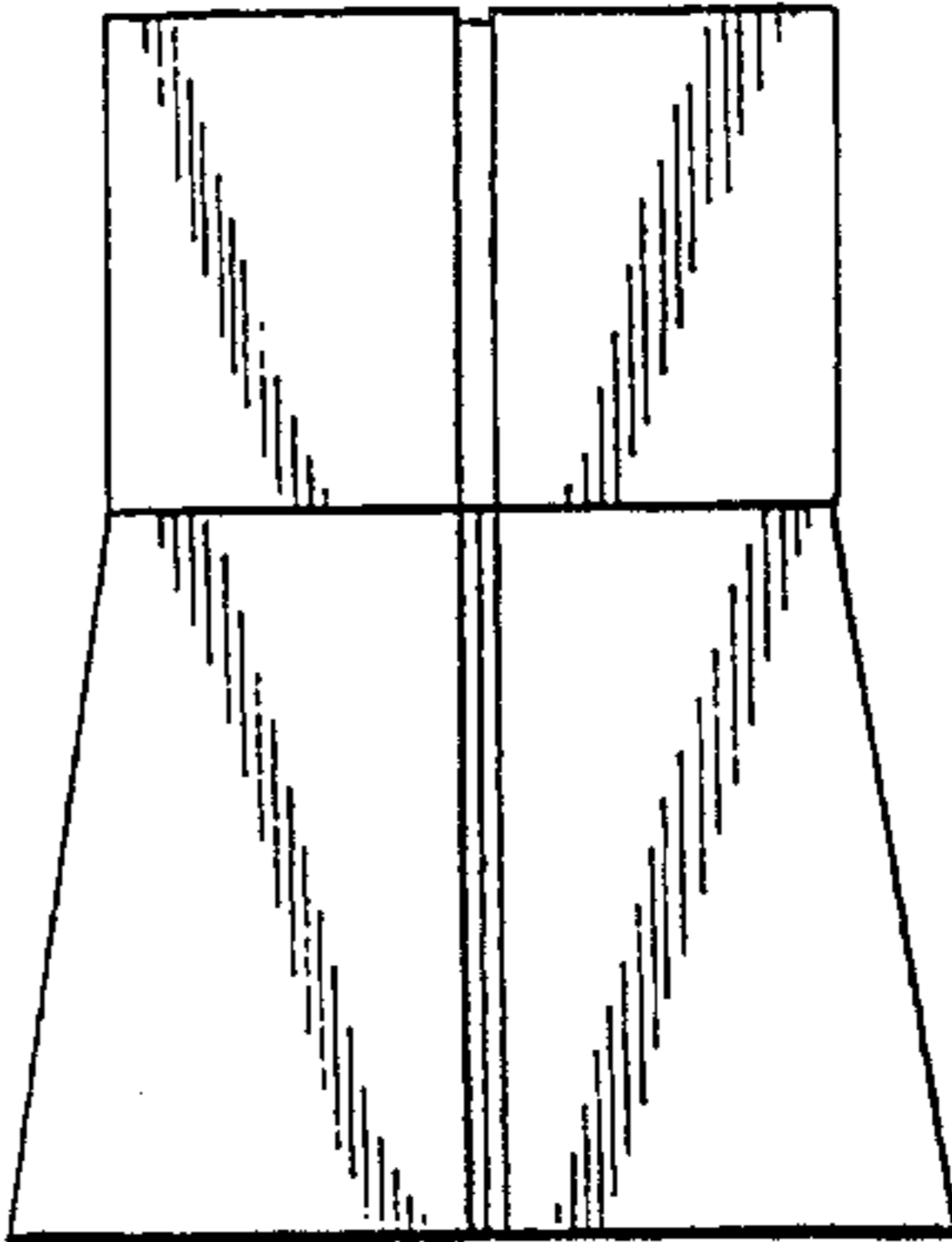


FIG. 39

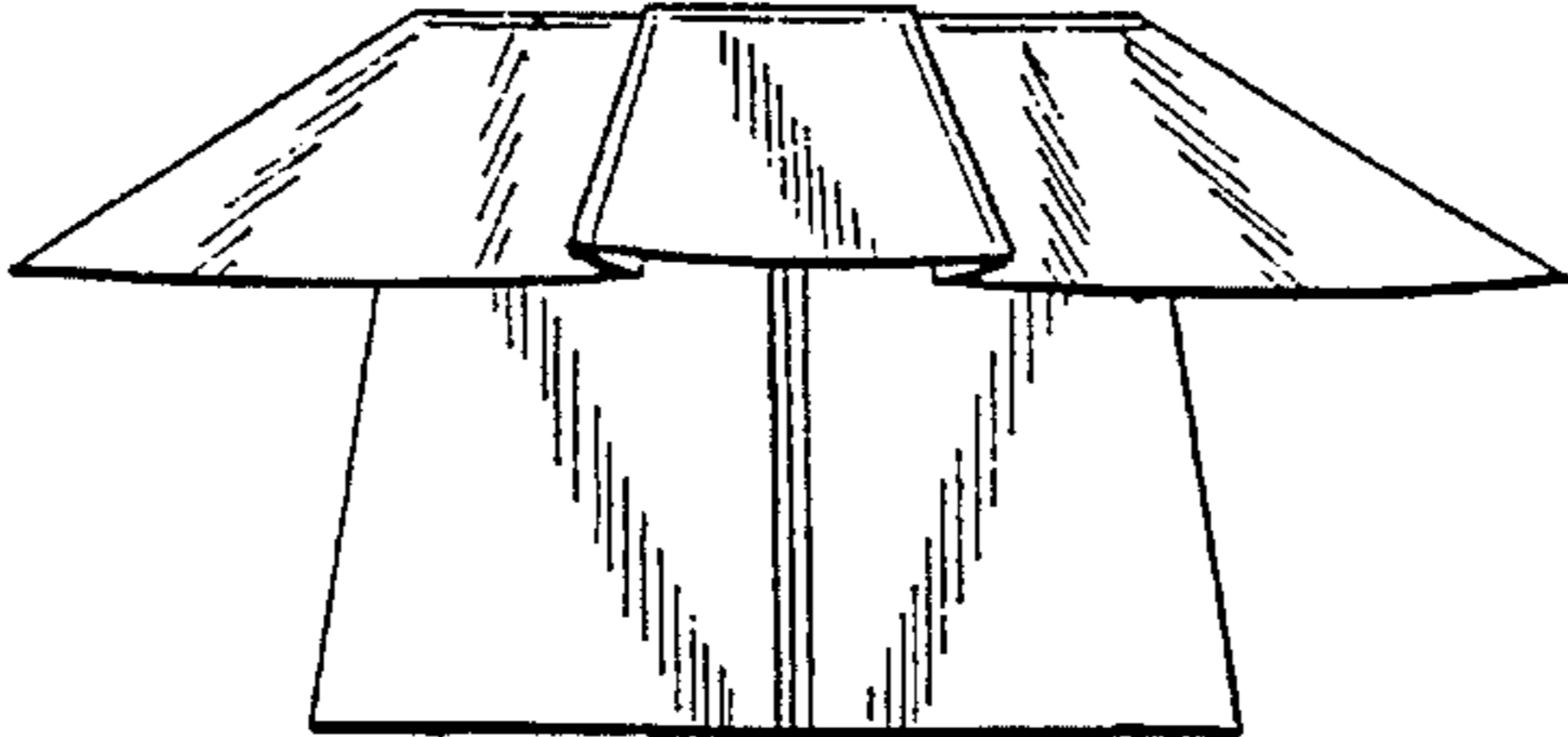


FIG. 40

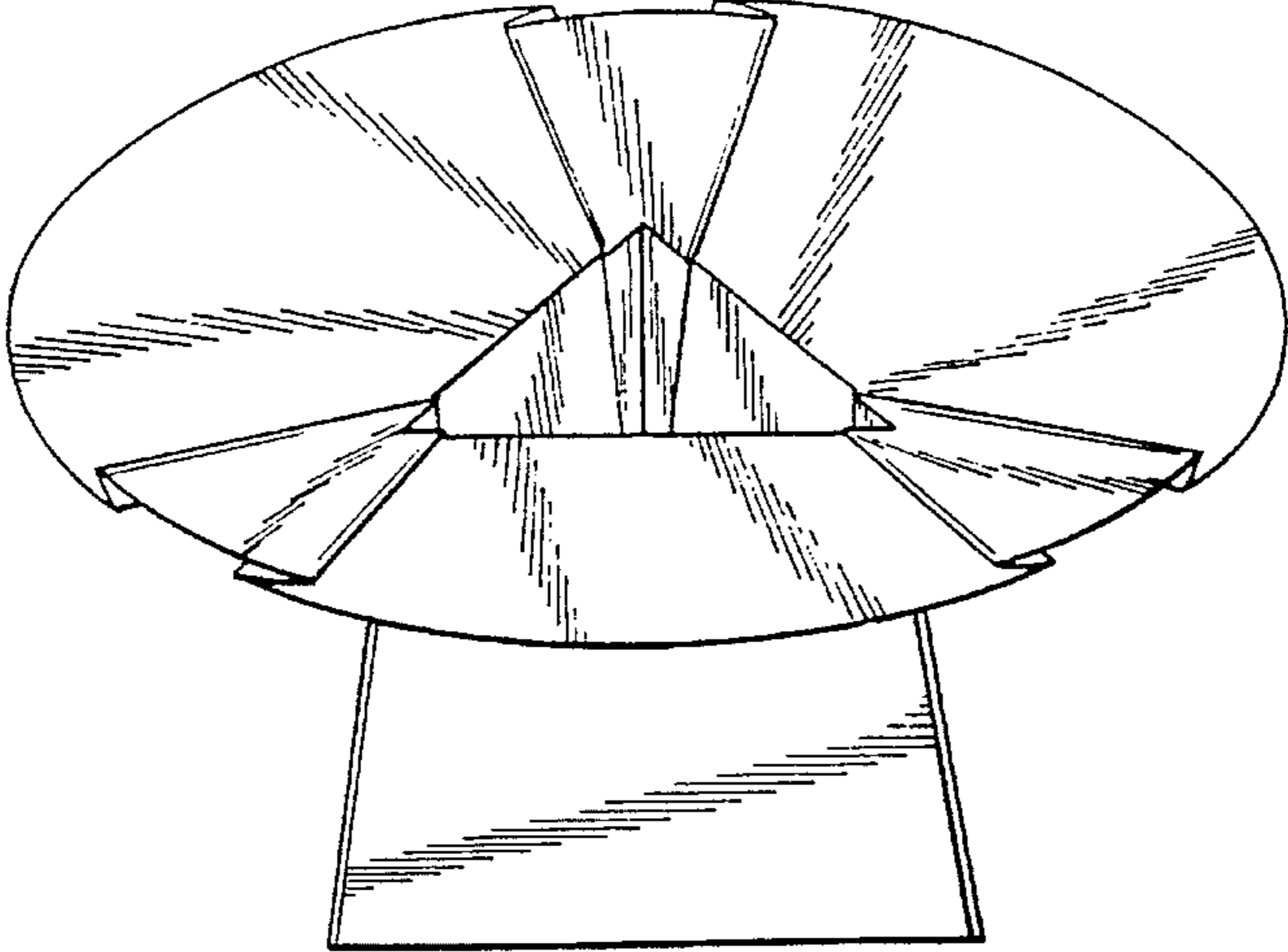


FIG. 41

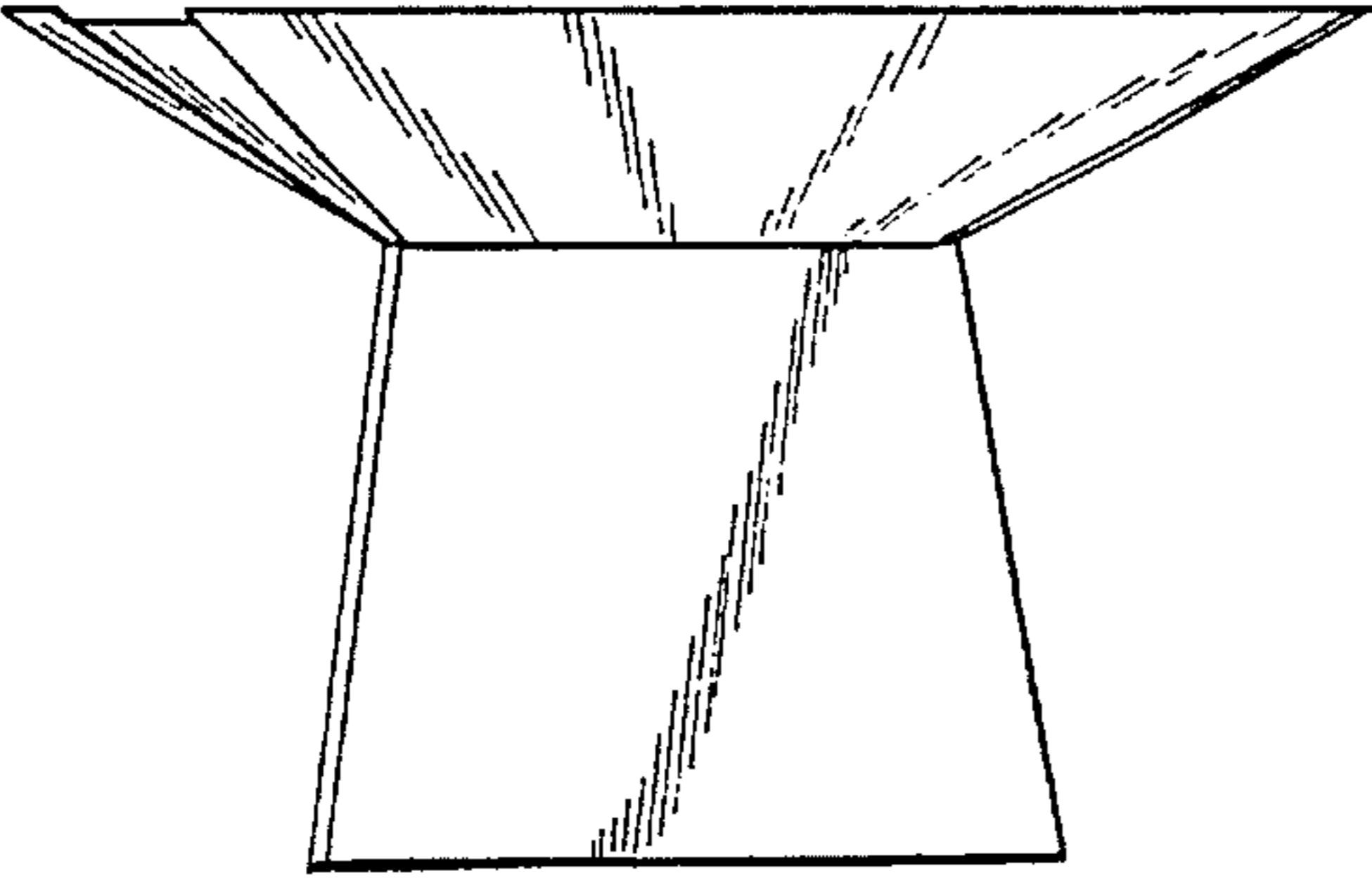


FIG. 42

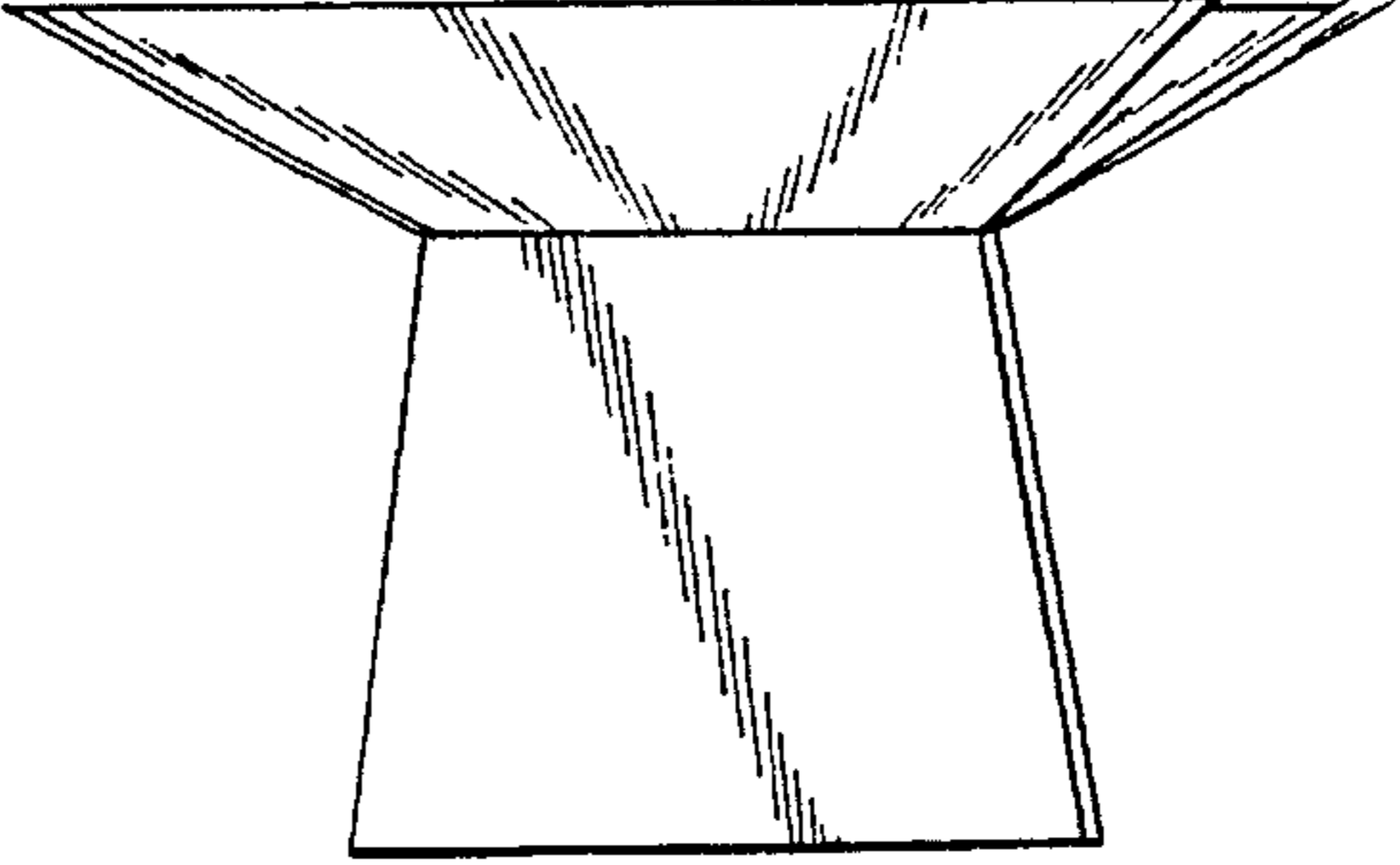


FIG. 43

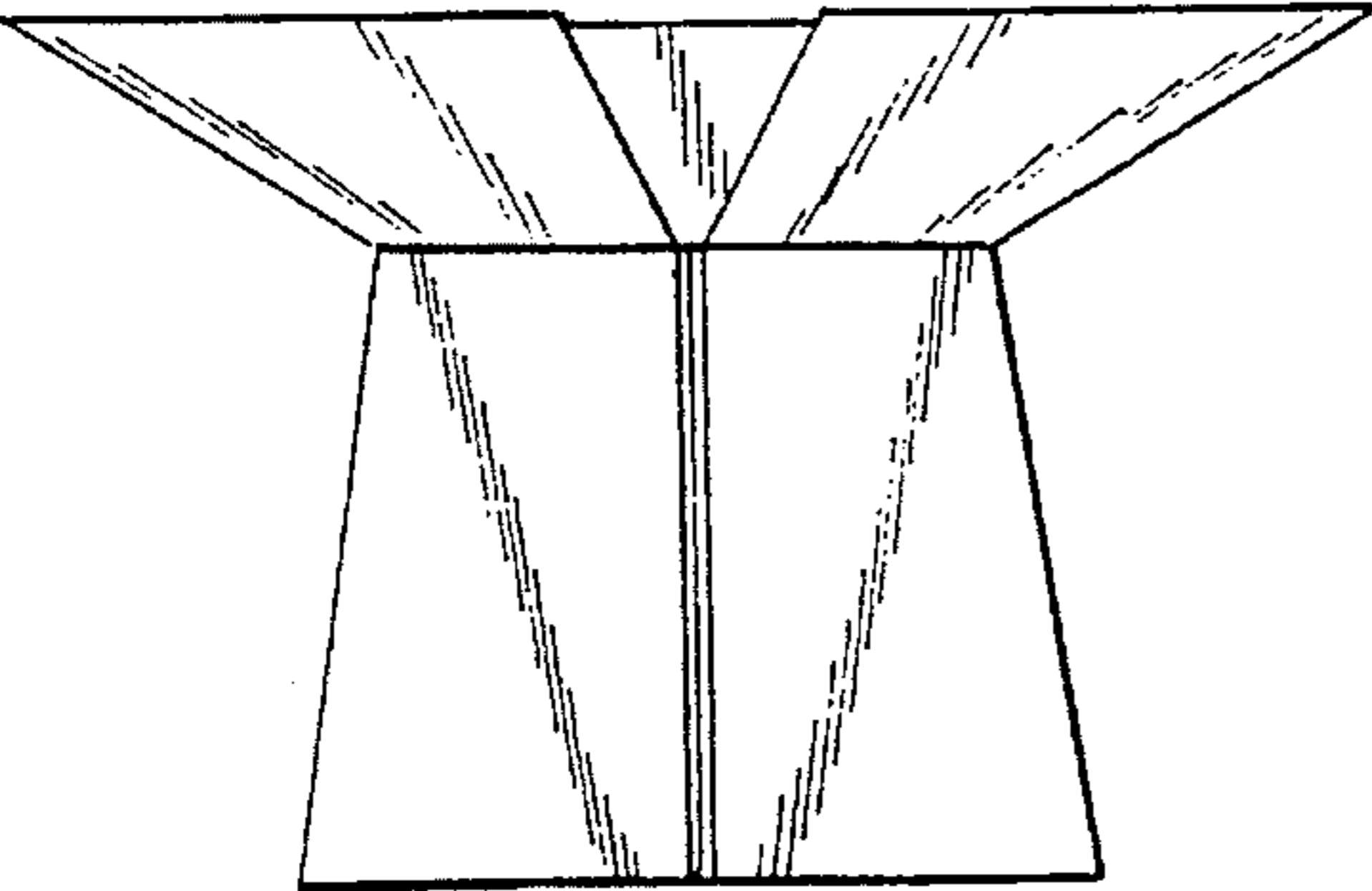


FIG. 44

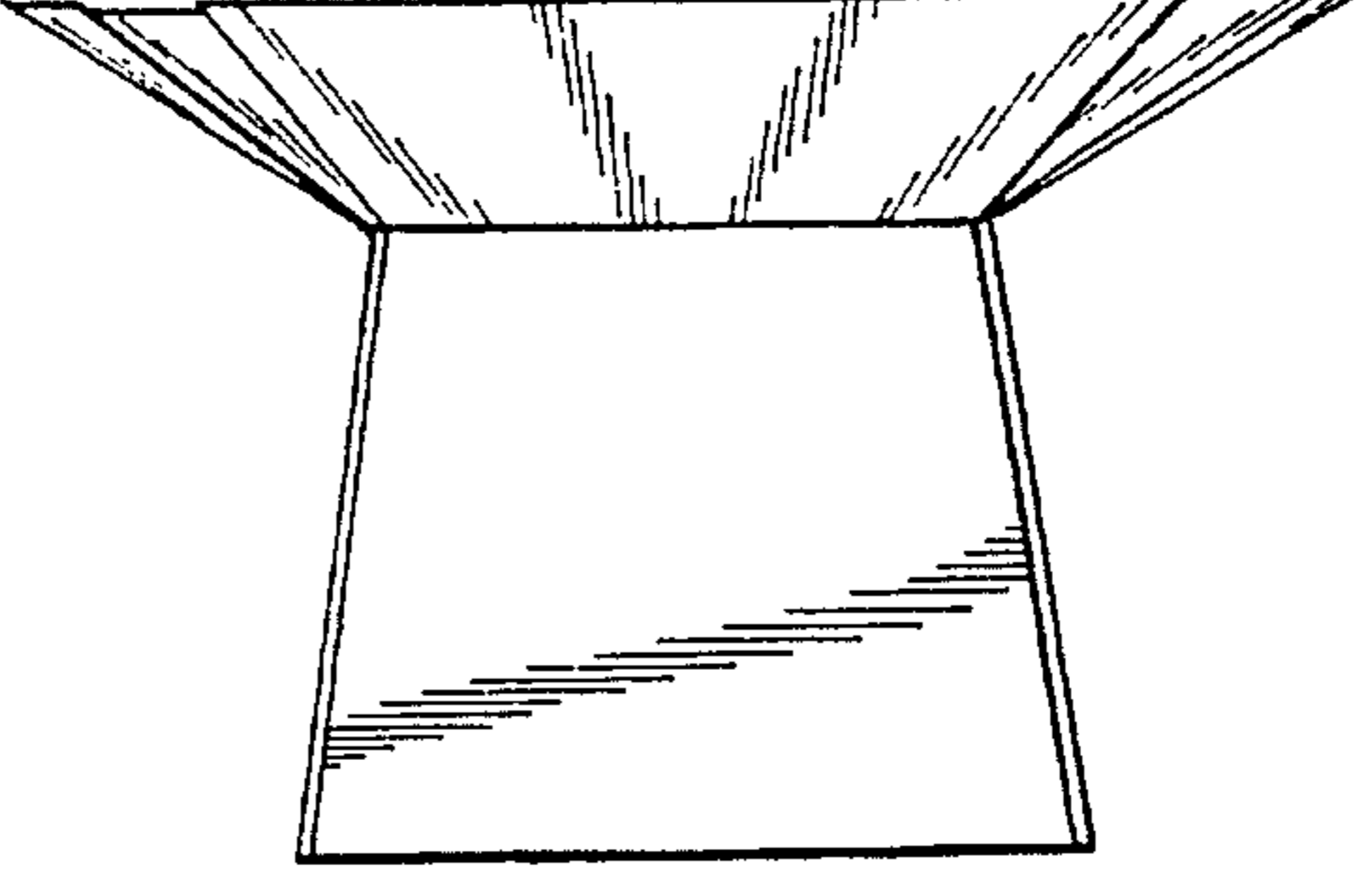


FIG. 45

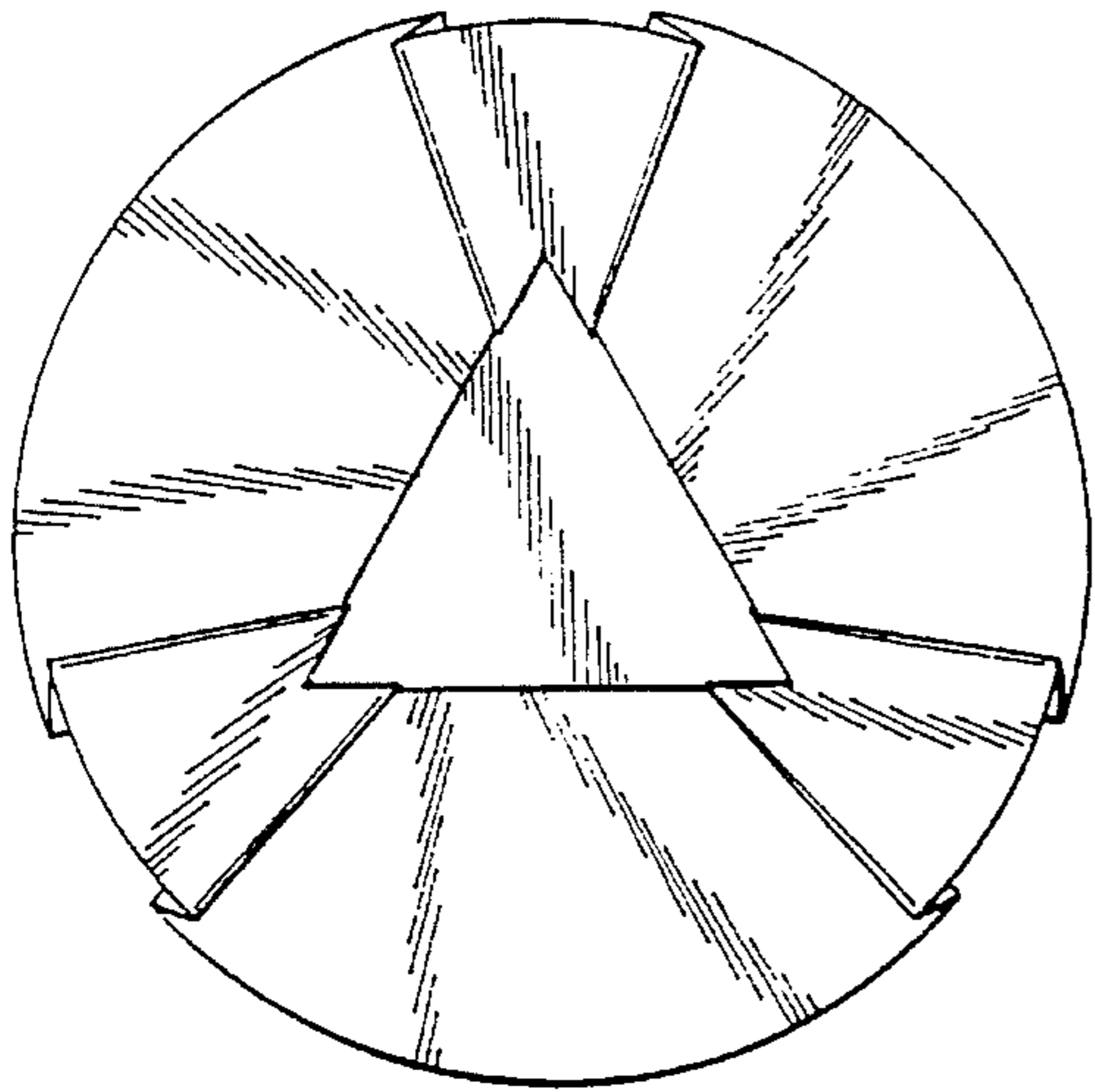


FIG. 46

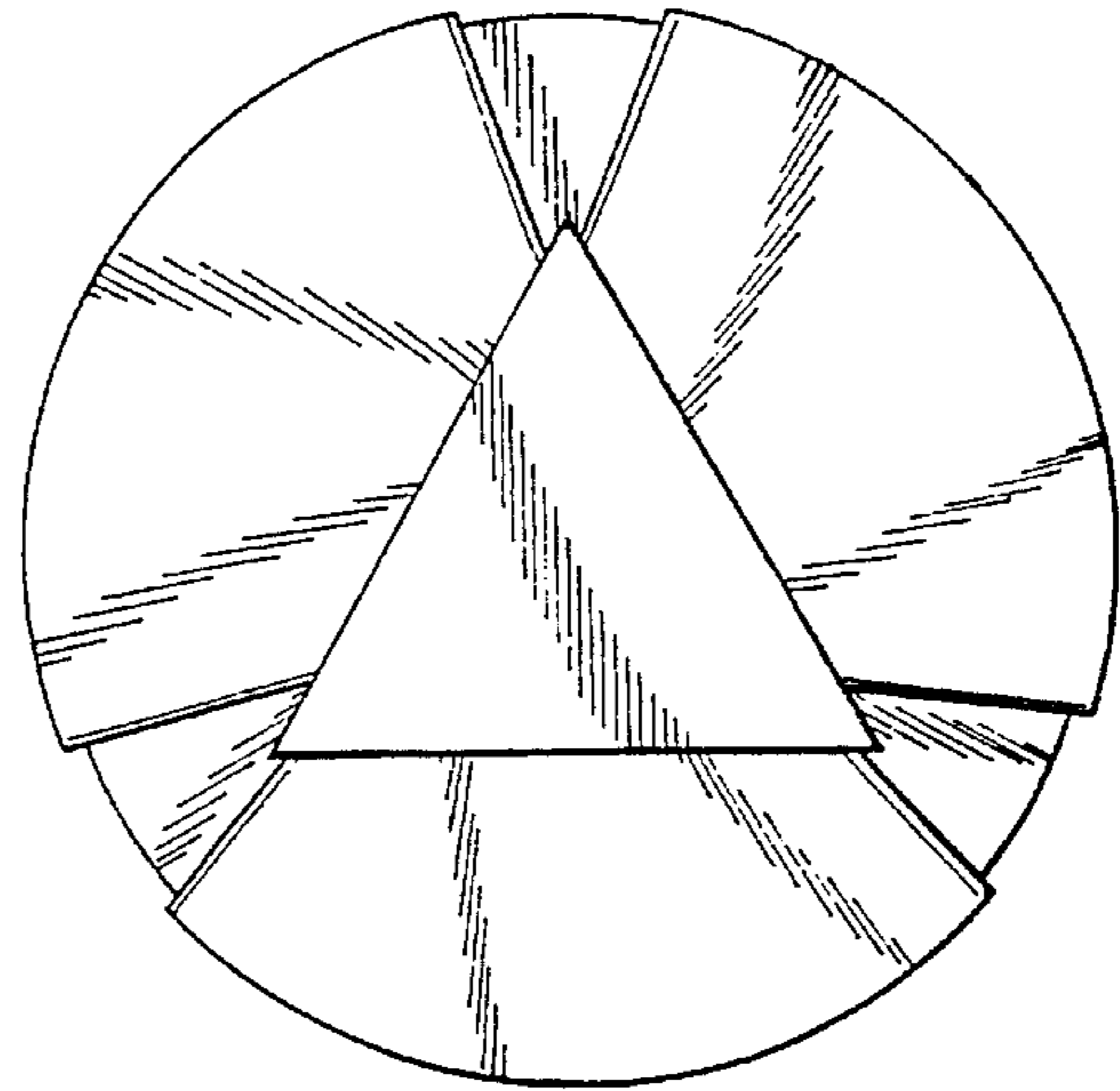


FIG. 47

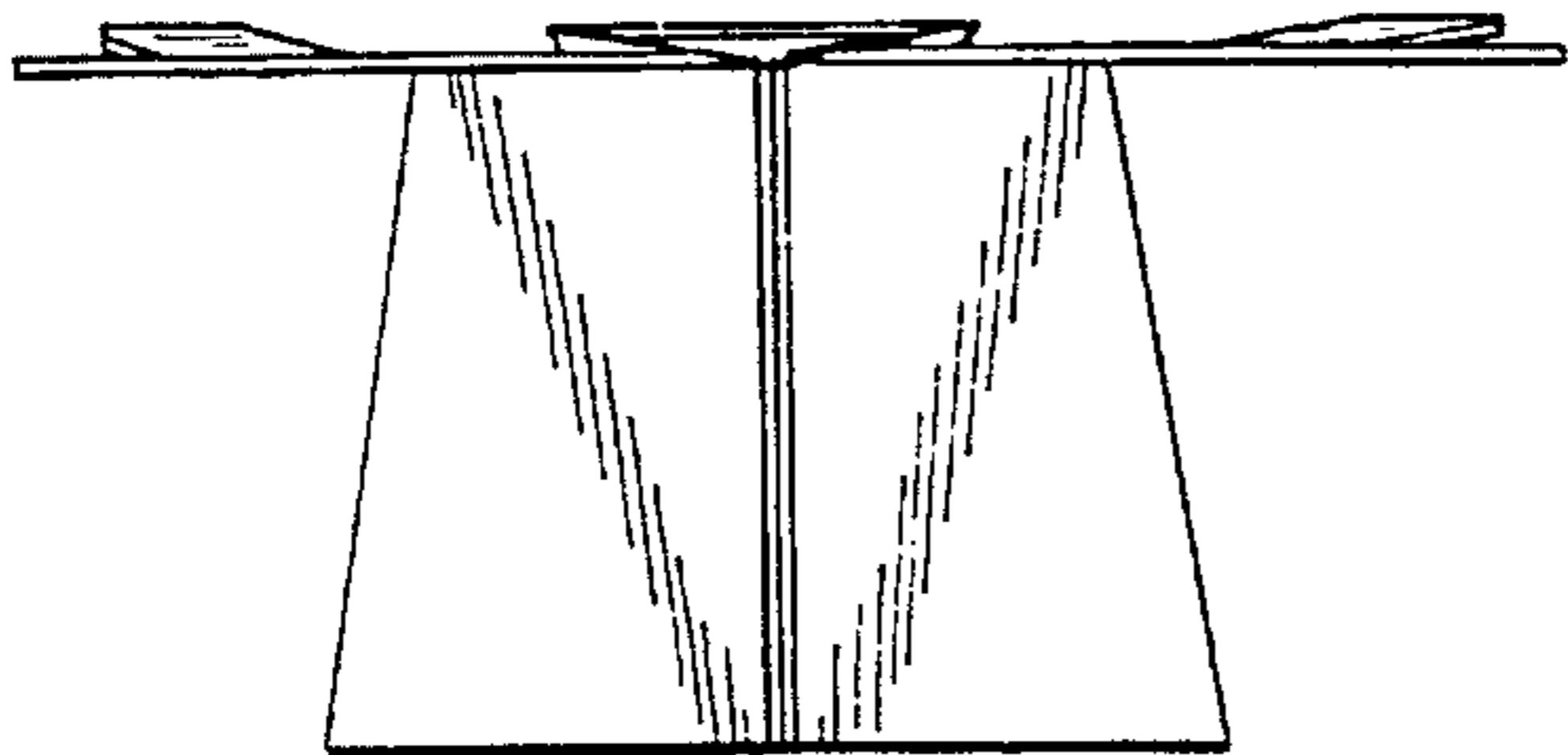


FIG. 48

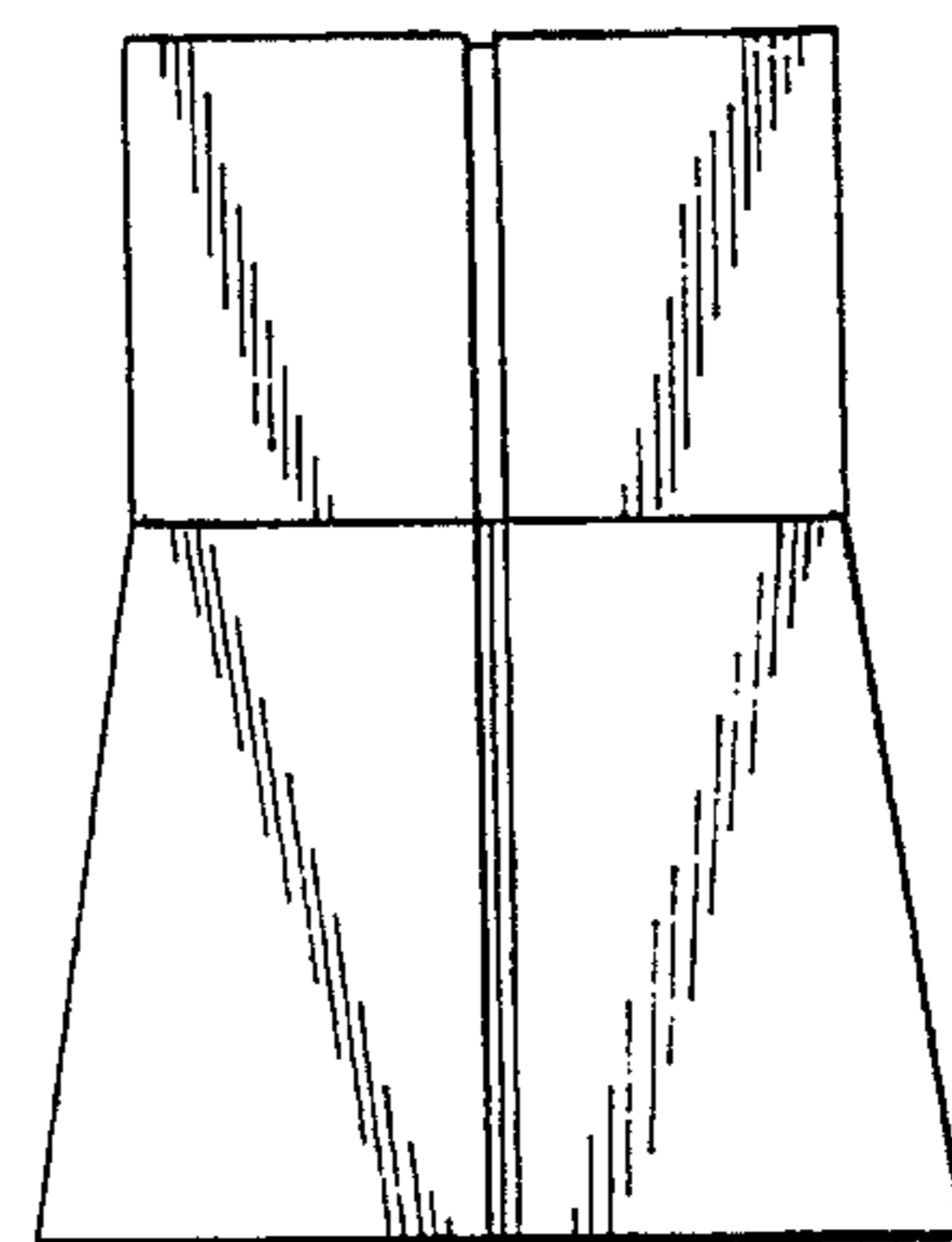


FIG. 49

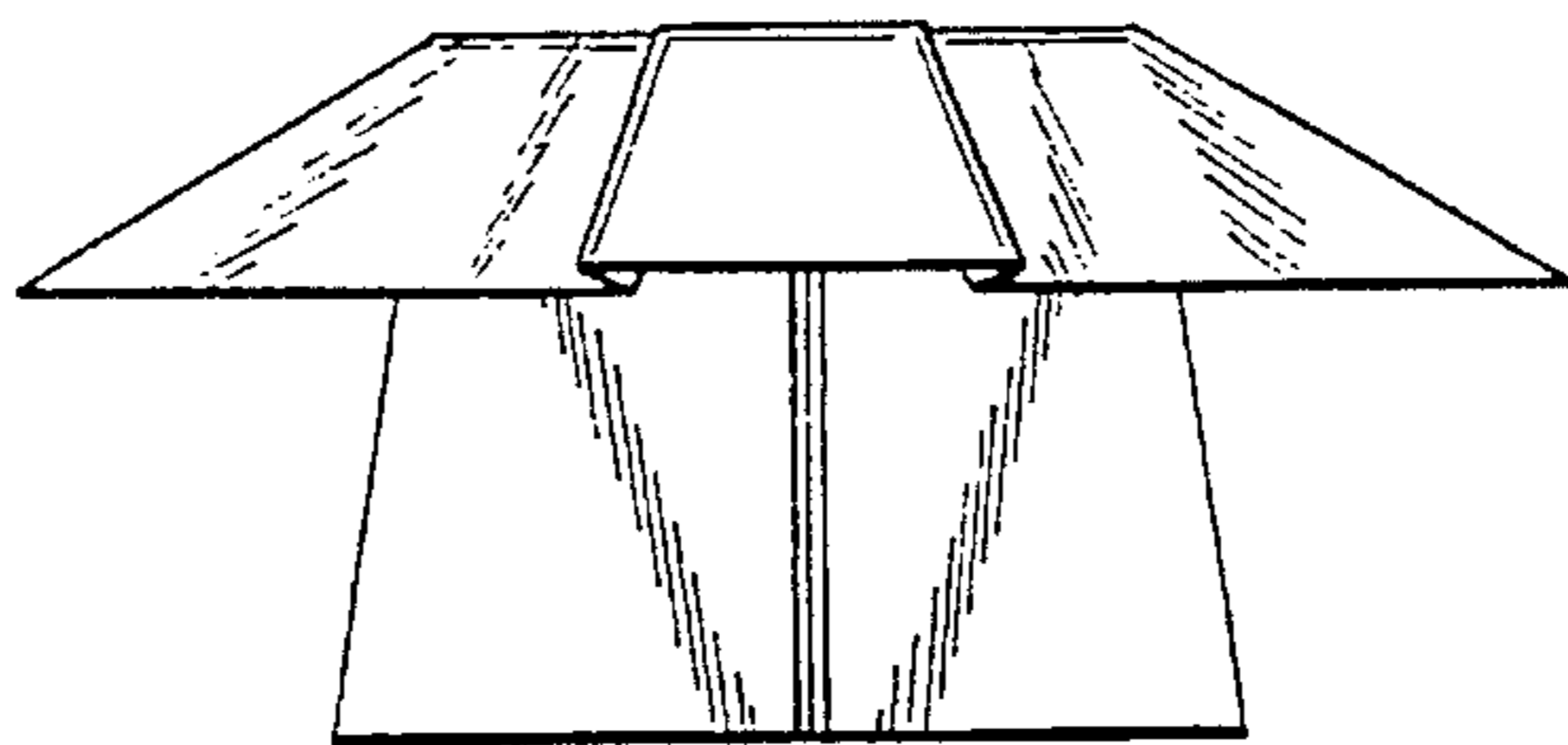


FIG. 50

UNITED STATES PATENT AND TRADEMARK OFFICE
CERTIFICATE OF CORRECTION

PATENT NO. : Des. 371,090
DATED : June 25, 1996
INVENTOR(S) : Donald E. Weder et al.

It is certified that error appears in the above-identified patent and that said Letters Patent is hereby corrected as shown below:

On the title page, item [73] Assignee: should read --The Family Trust U/T/A; Southpac Trust International, Inc.--

Signed and Sealed this
Twenty-third Day of September, 1997

Attest:



BRUCE LEHMAN

Attesting Officer

Commissioner of Patents and Trademarks