



US00D371089S

United States Patent [19]

Yeung

[11] Patent Number: **Des. 371,089**

[45] Date of Patent: ****Jun. 25, 1996**

[54] **FLOWER POT**

[76] Inventor: **Yu Sun Yeung**, 100 Dynamic Drive,
Unit #17, Scarborough, Ontario,
Canada, M1V 5C4

[**] Term: **14 Years**

[21] Appl. No.: **37,137**

[22] Filed: **Apr. 5, 1995**

[30] **Foreign Application Priority Data**

Mar. 1, 1995 [CA] Canada 1995-0494

[52] U.S. Cl. **D11/152; D11/143**

[58] Field of Search D11/143, 148,
D11/152; D9/522; 47/71, 67 R

[56] **References Cited**

U.S. PATENT DOCUMENTS

D. 111,522	9/1938	Preston	D11/152	X
D. 242,161	11/1976	Dziewulki	47/71	X
D. 246,771	12/1977	Daniels	D11/143	
D. 297,601	9/1988	Grossman et al.	D11/143	X
D. 350,303	9/1994	Holgar	D11/143	
909,715	1/1909	Troegeler	D11/143	X
4,837,972	6/1989	Reed	47/67	R

Primary Examiner—Alan P. Douglas
Assistant Examiner—Cathron B. Matta
Attorney, Agent, or Firm—Keck, Mahin & Cate

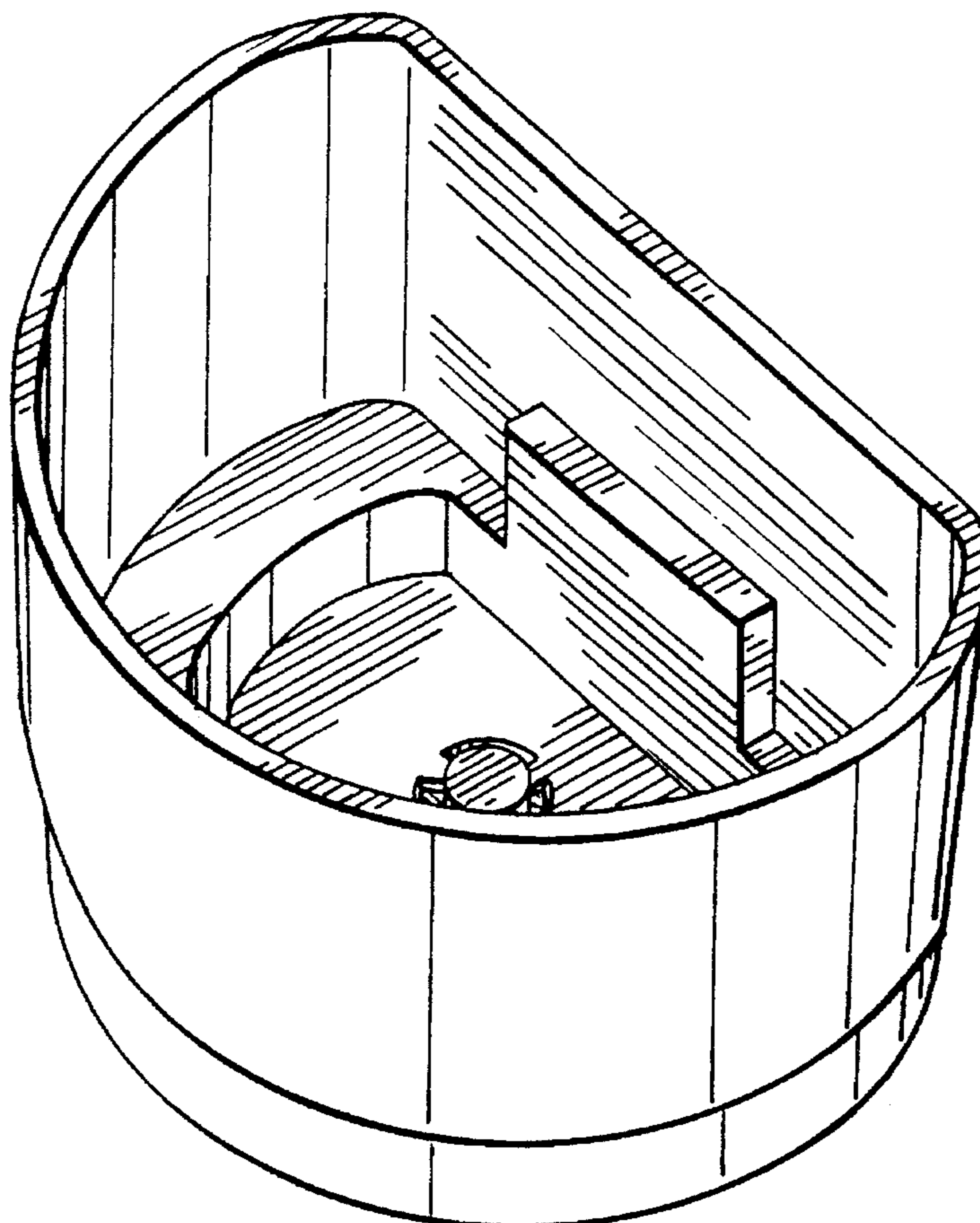
[57] **CLAIM**

The ornamental design for a flower pot, as shown and described.

DESCRIPTION

FIG. 1 is a top perspective view of a flower pot in accordance with my design;
FIG. 2 is a bottom perspective view of a flower pot in accordance with my design;
FIG. 3 is a front view of a flower pot in accordance with my design;
FIG. 4 is a rear view of a flower pot in accordance with my design;
FIG. 5 is a bottom view of a flower pot in accordance with my design;
FIG. 6 is a side view of a flower pot in accordance with my design;
FIG. 7 is a plan of a flower pot in accordance with my design; and,
FIG. 8 is a cross sectional view of a flower pot in accordance with my design taken along lines 8—8 as marked in FIG. 7.

1 Claim, 4 Drawing Sheets



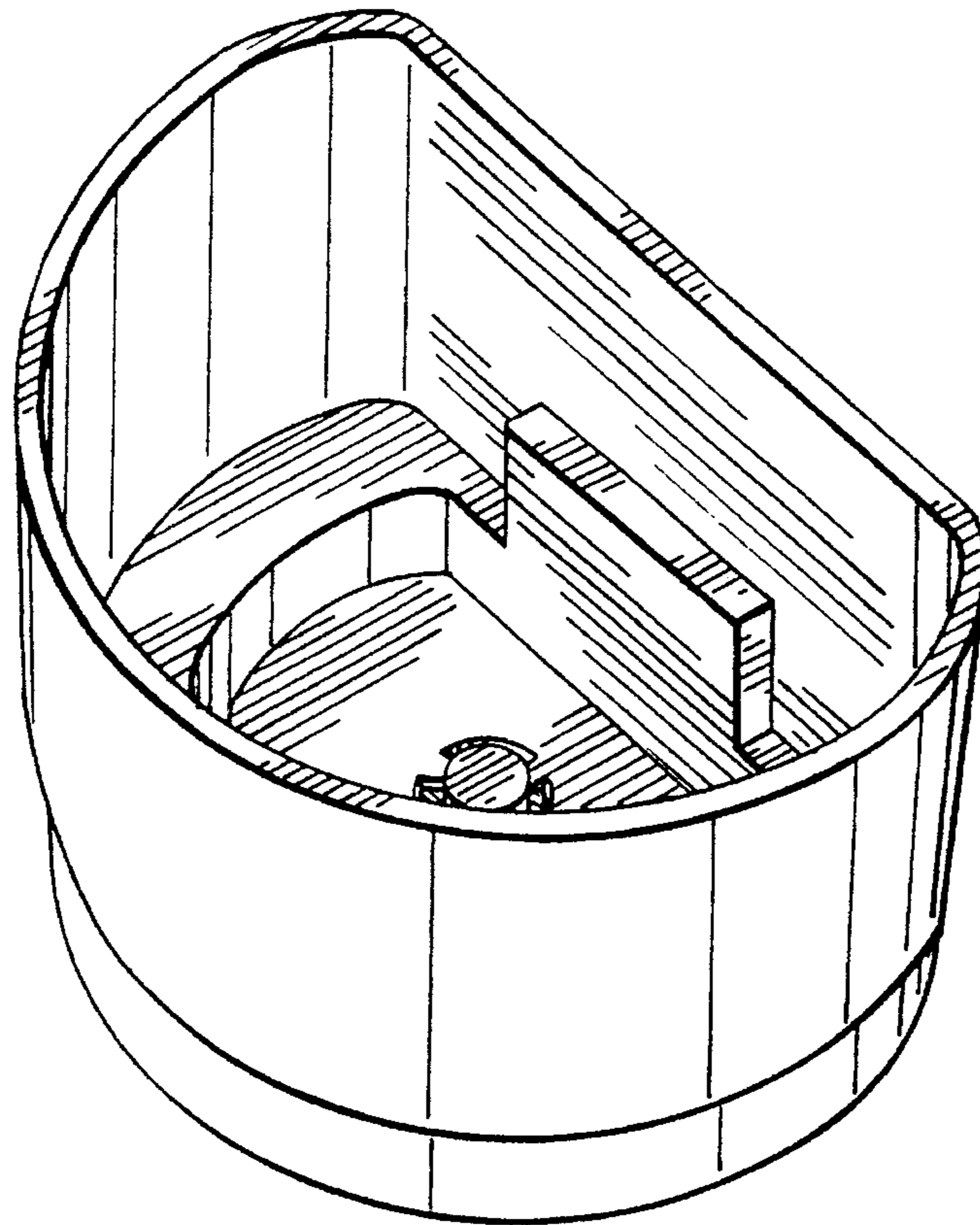


FIG. 1

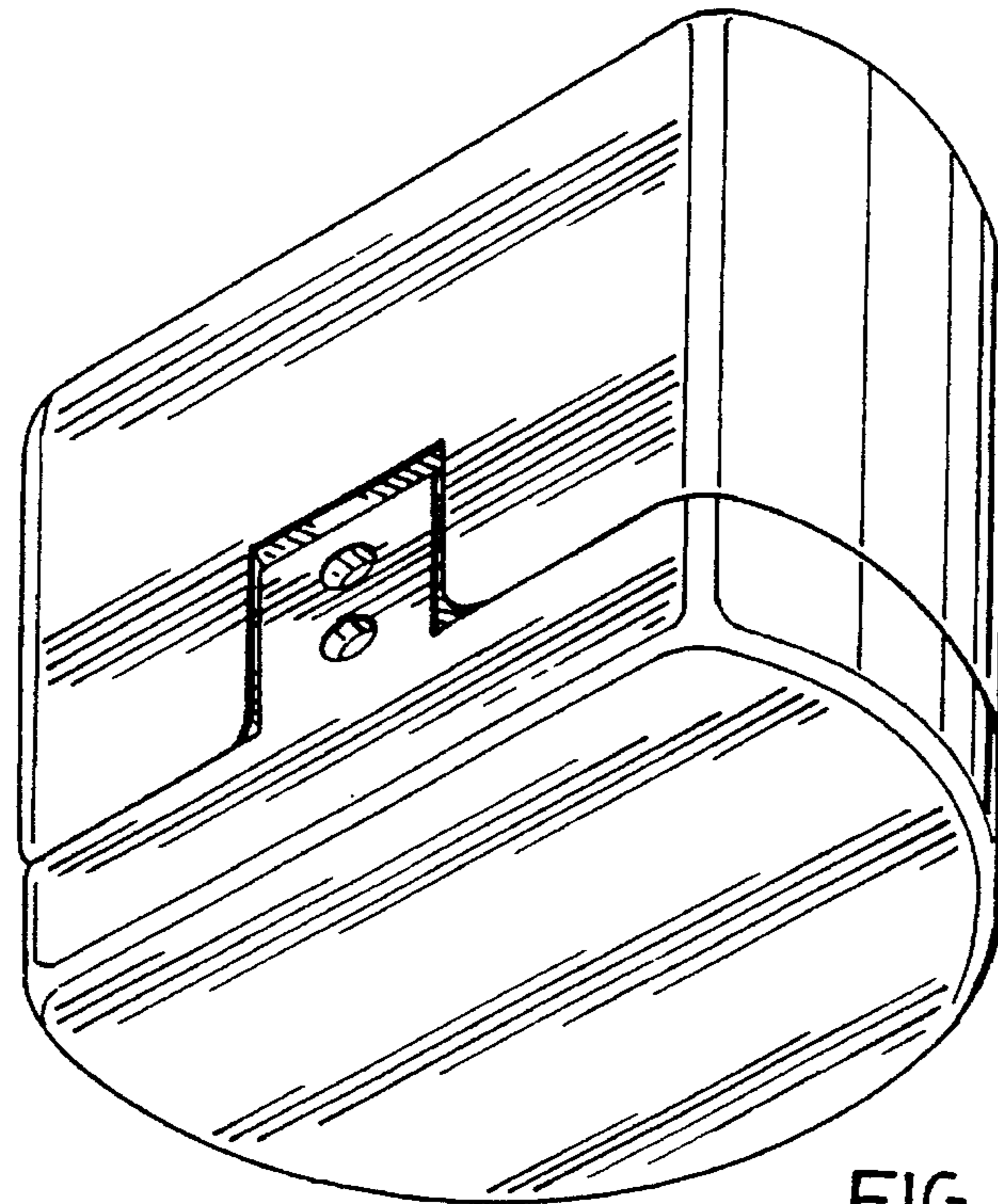


FIG. 2

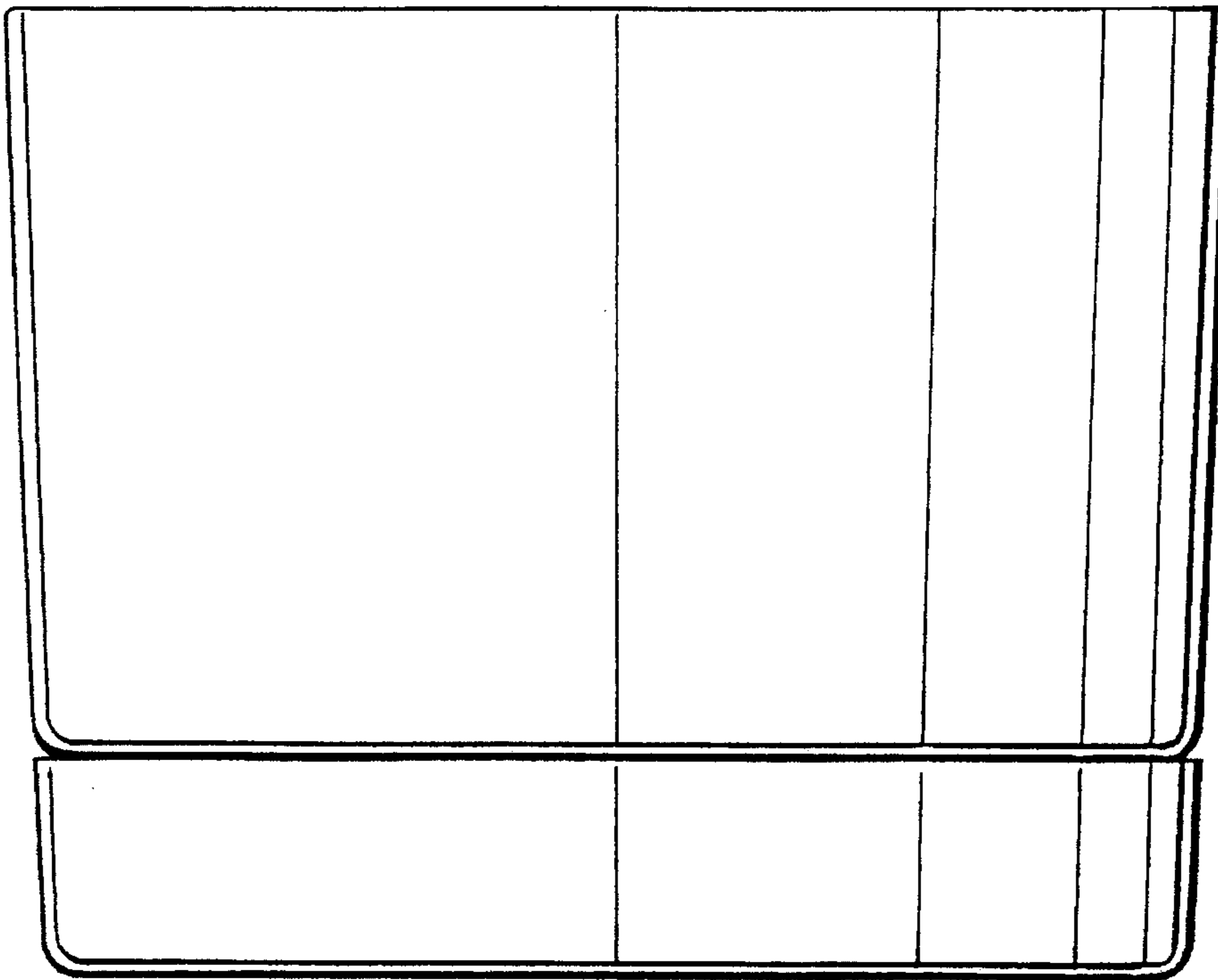


FIG. 3

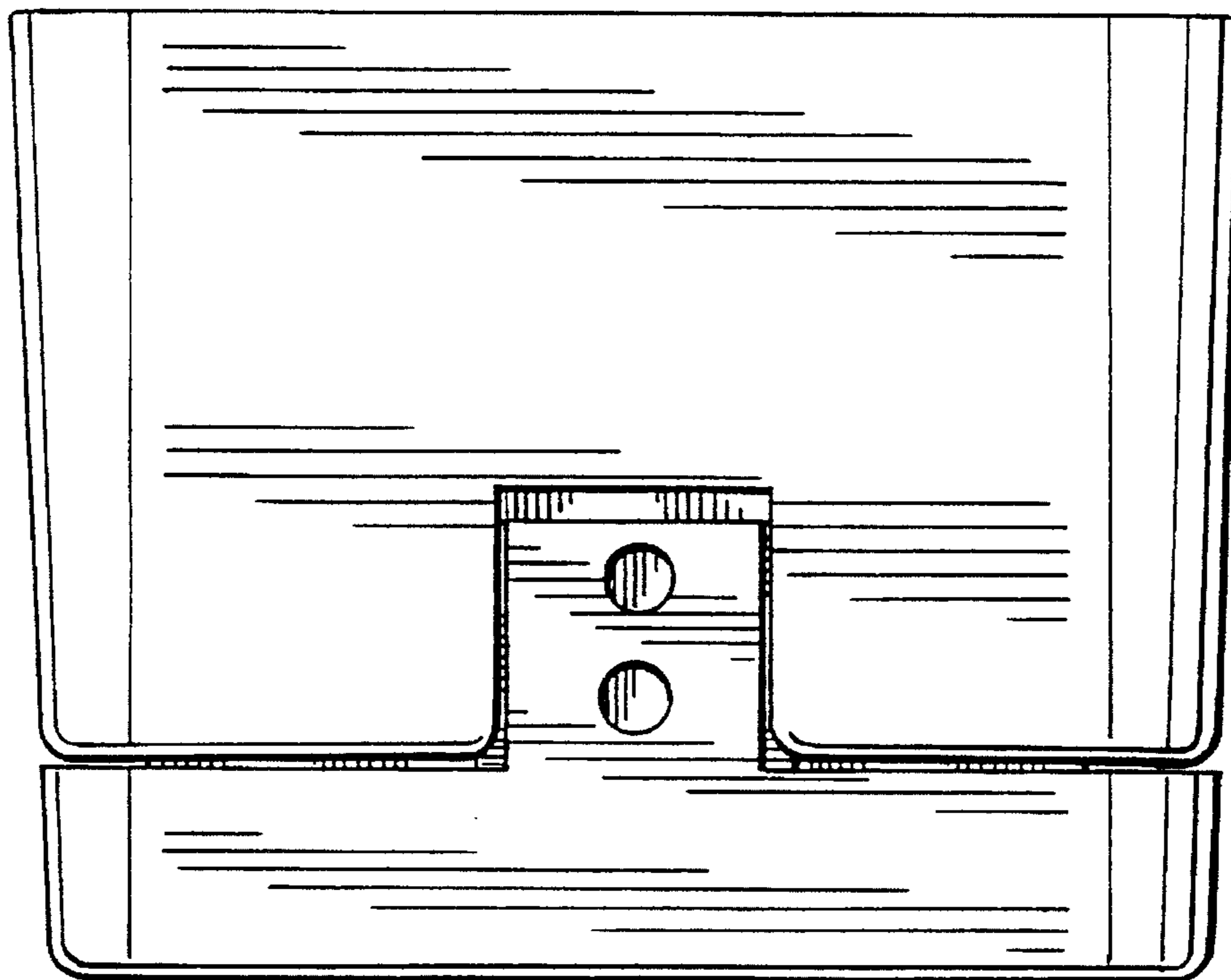


FIG. 4



FIG. 5

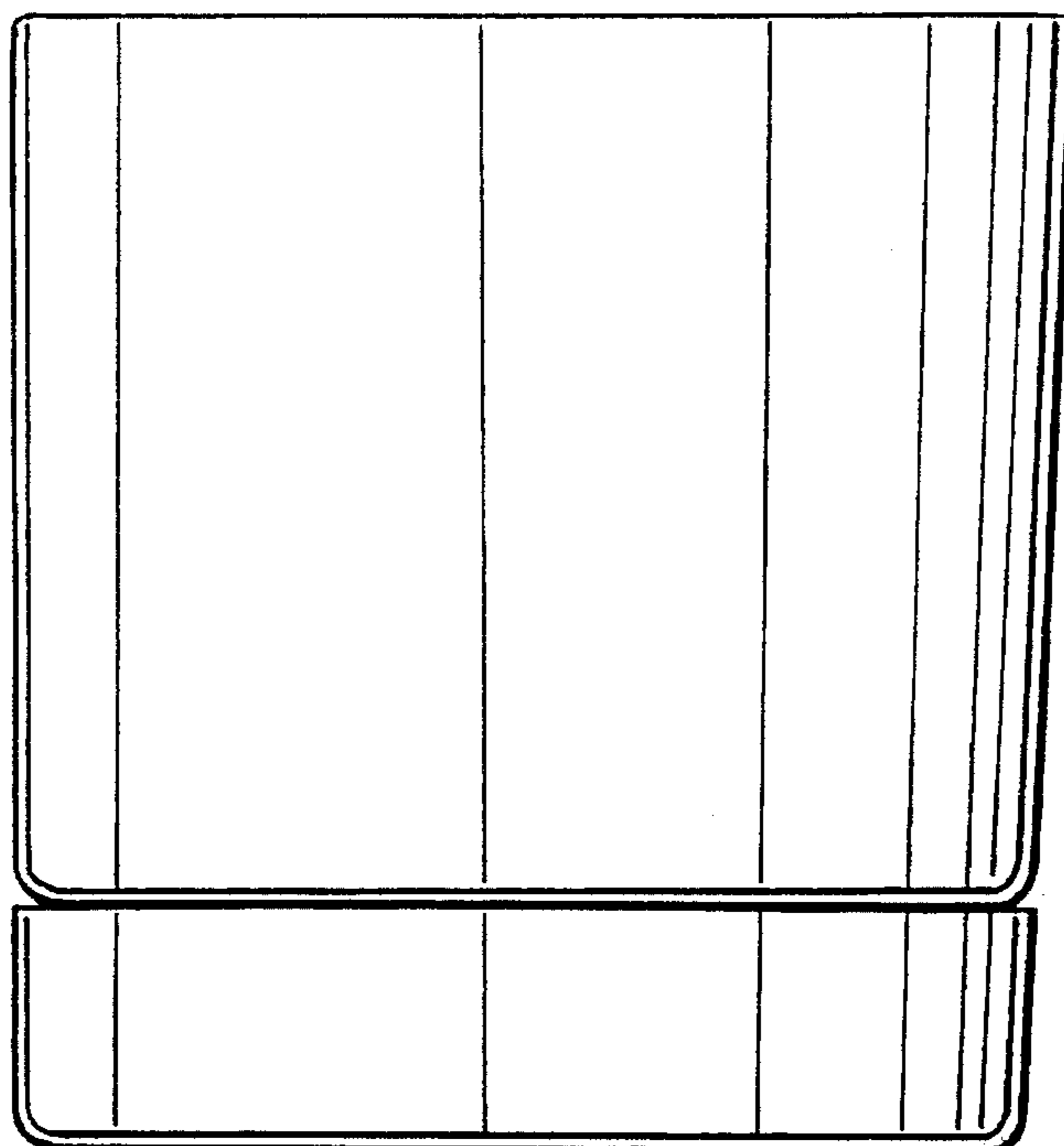


FIG. 6

