



US00D371088S

# United States Patent [19]

[11] Patent Number: **Des. 371,088**

**Vollick**

[45] Date of Patent: **\*\*Jun. 25, 1996**

[54] **GERMINATION DEVICE**

5,136,804 8/1992 Rothem et al. .... 47/60

[76] Inventor: **Douglas G. Vollick**, Box 66, Meadow Creek, British Columbia, Canada, V0G 1N0

### OTHER PUBLICATIONS

"Florists' Review", Dec. 18, 1980, p. 59, vitrobox.

[\*\*] Term: **14 Years**

*Primary Examiner*—Alan P. Douglas  
*Assistant Examiner*—Cathron Matta  
*Attorney, Agent, or Firm*—James A. Hudak

[21] Appl. No.: **38,564**

### [57] CLAIM

[22] Filed: **May 8, 1995**

The ornamental design for a germination device, as shown and described.

[52] U.S. Cl. .... **D11/145; D30/101**

[58] Field of Search ..... D11/145, 143; 47/60 R, 61 SG, 60 NL, 69 T; D30/101

### DESCRIPTION

### [56] References Cited

FIG. 1 is a perspective view of the germination device showing my new design:

#### U.S. PATENT DOCUMENTS

D. 194,793	3/1963	Perl et al. ....	D11/145
D. 240,448	7/1976	Hitomi .....	D11/145
D. 271,387	11/1983	Lentz et al. ....	D11/145
D. 347,911	6/1994	Tominaga .....	D30/101
3,106,801	10/1963	Risacher .....	47/60 NL
3,848,358	11/1974	Messmer .....	D11/145 X
4,075,786	2/1978	Van Zyl .....	D11/145 X

FIG. 2 is a front elevational view thereof, the rear elevational view being a mirror image of the view shown in this Figure;

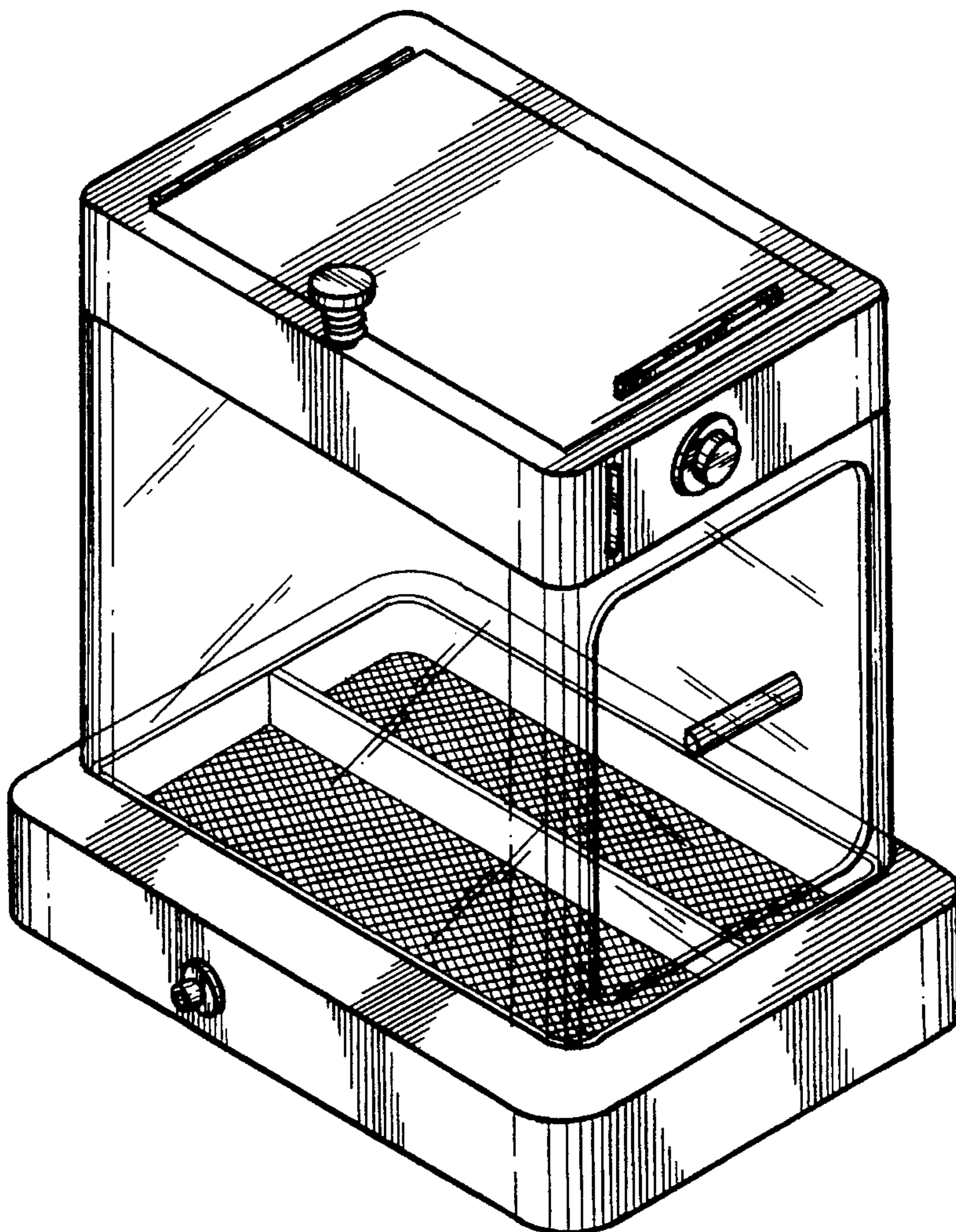
FIG. 3 is a right side elevational view thereof;

FIG. 4 is a left side elevational view thereof;

FIG. 5 is a top plan view thereof; and,

FIG. 6 is a bottom plan view thereof.

**1 Claim, 4 Drawing Sheets**



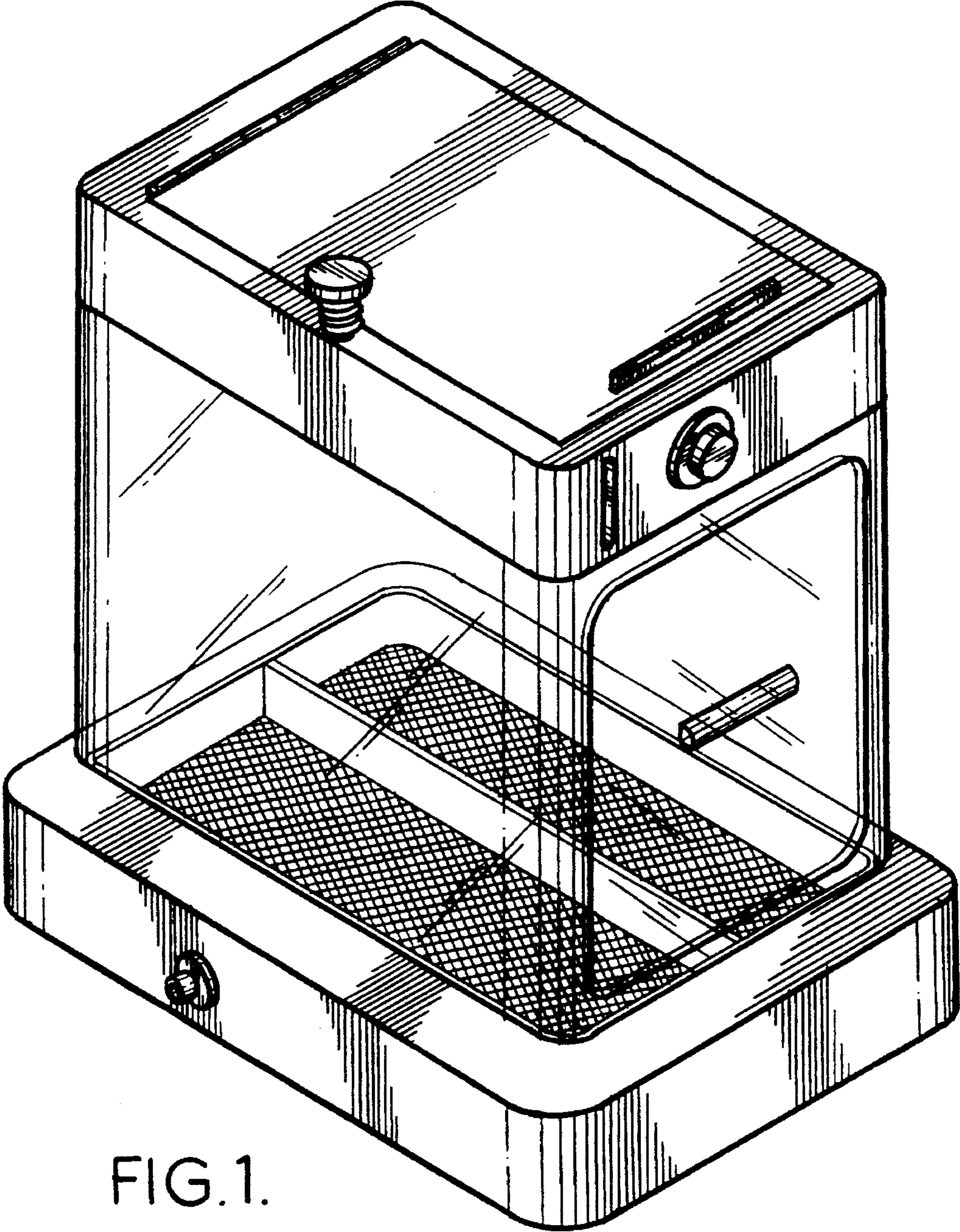


FIG. 1.



FIG. 5.

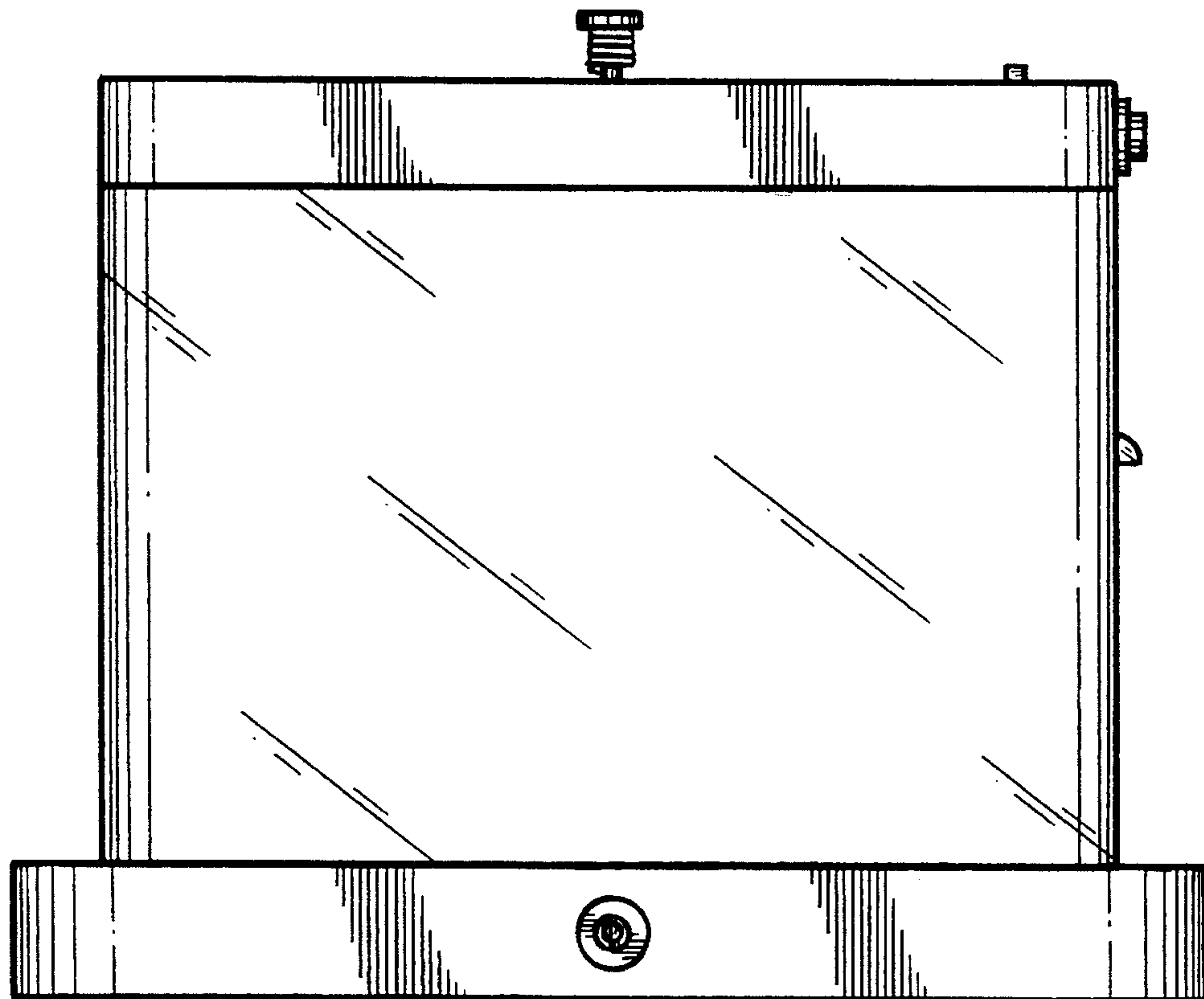
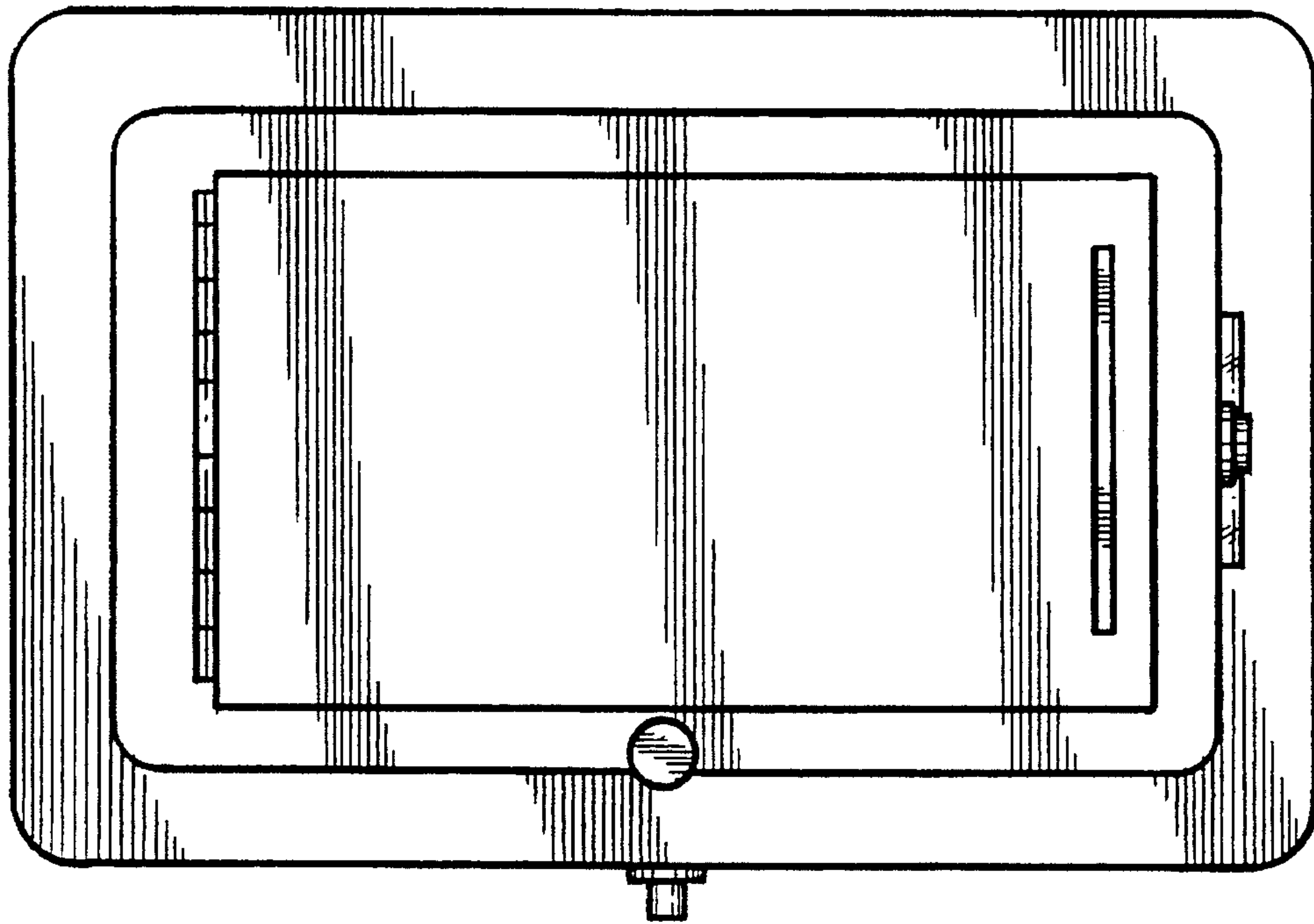


FIG. 2.

FIG. 6.

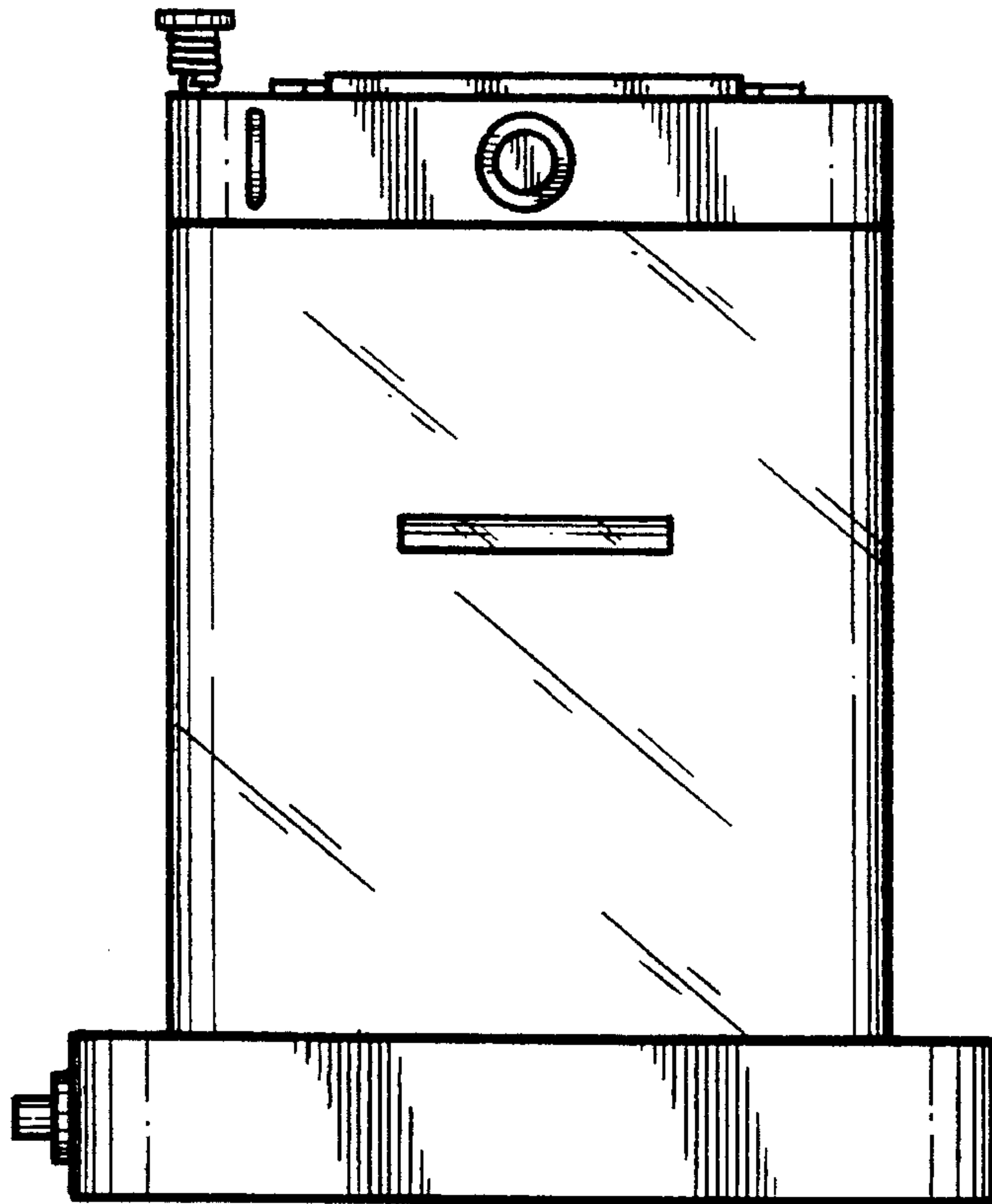
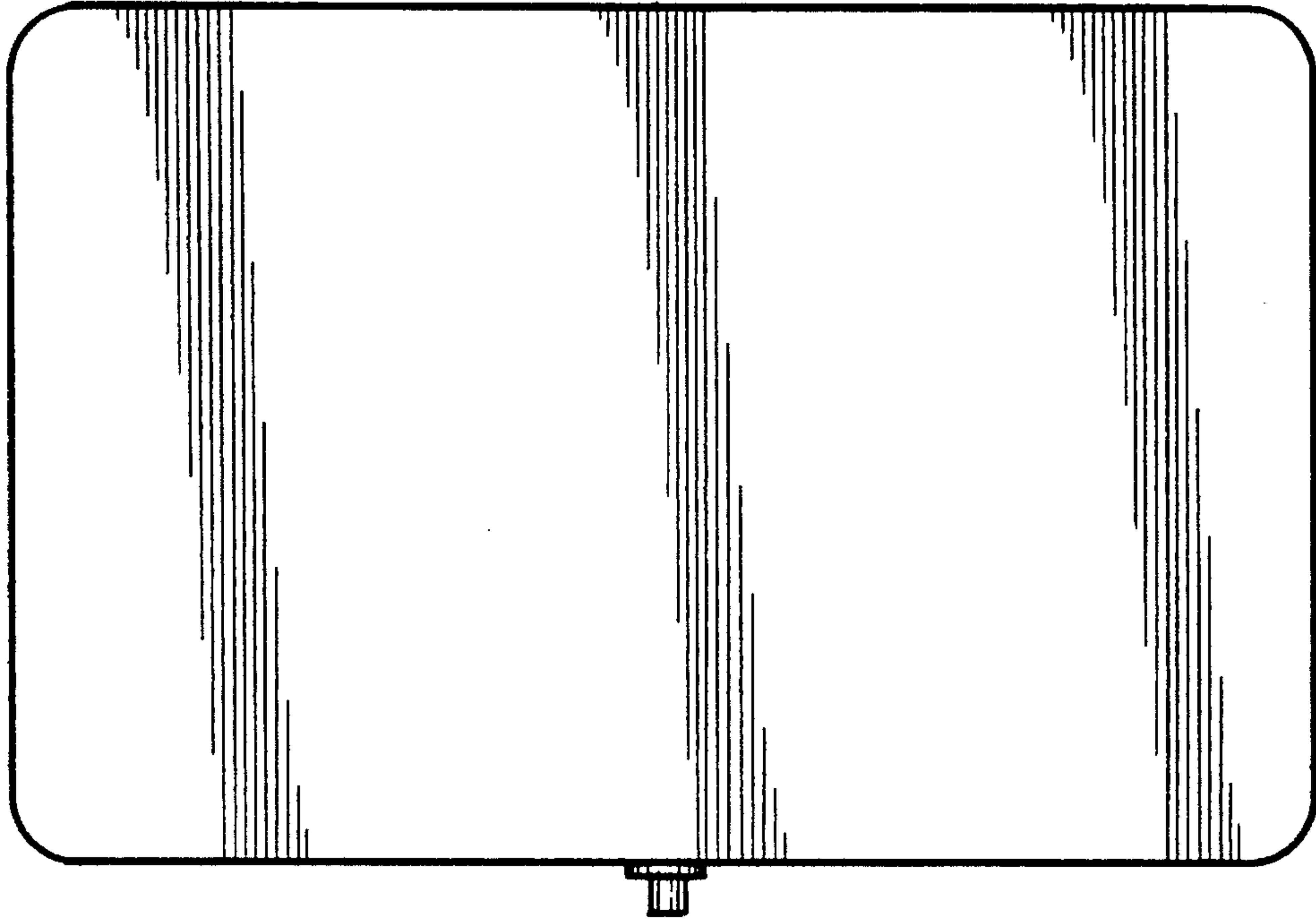


FIG. 3.

FIG. 4.

