



US00D371085S

# United States Patent [19]

[11] **Patent Number: Des. 371,085**

Ito

[45] **Date of Patent: \*\*Jun. 25, 1996**

[54] **PRESSURE DETECTING DEVICE**

[75] Inventor: **Katsutoshi Ito**, Ichinomiya, Japan

[73] Assignee: **CKD Corporation**, Aichi-Ken, Japan

[\*\*] Term: **14 Years**

[21] Appl. No.: **40,216**

[22] Filed: **Jun. 13, 1995**

[30] **Foreign Application Priority Data**

Jan. 10, 1995 [JP] Japan ..... 7-357

[52] **U.S. Cl.** ..... **D10/85; D10/83**

[58] **Field of Search** ..... D10/83, 85; 73/29.01,  
73/29.03; 250/313; 340/521, 523, 604,  
626

[56] **References Cited**

**U.S. PATENT DOCUMENTS**

4,066,068 1/1978 Nilsson et al. .... 73/29.03 X

**OTHER PUBLICATIONS**

"Type Z Direct Drive, Adjustable Differential Pressure Switch", Taihei Boeki Co., Ltd. Advertising Brochure, Oct. 1993.

*Primary Examiner*—Antoine Duval Davis

*Attorney, Agent, or Firm*—Nawrocki, Rooney & Sivertson

[57] **CLAIM**

The ornamental design for a pressure detecting device, as shown and described.

**DESCRIPTION**

FIG. 1 is a front perspective view of a pressure detecting device showing my new design;

FIG. 2 is a rear elevational view thereof;

FIG. 3 is a front elevational view thereof;

FIG. 4 is a bottom plan view thereof;

FIG. 5 is a top plan view thereof;

FIG. 6 is a left side elevational view thereof; and,

FIG. 7 is a right side elevational view thereof.

**1 Claim, 2 Drawing Sheets**

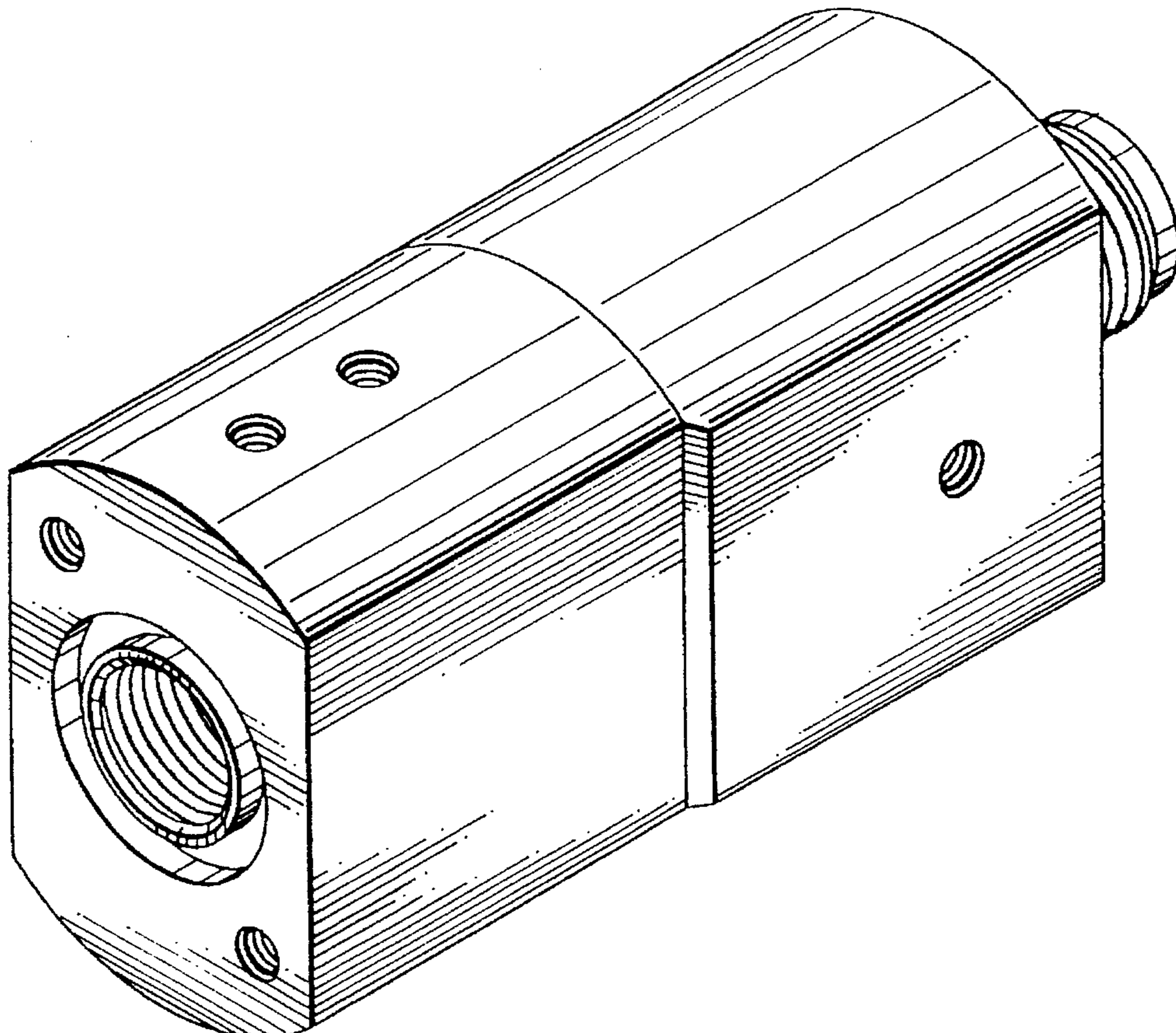
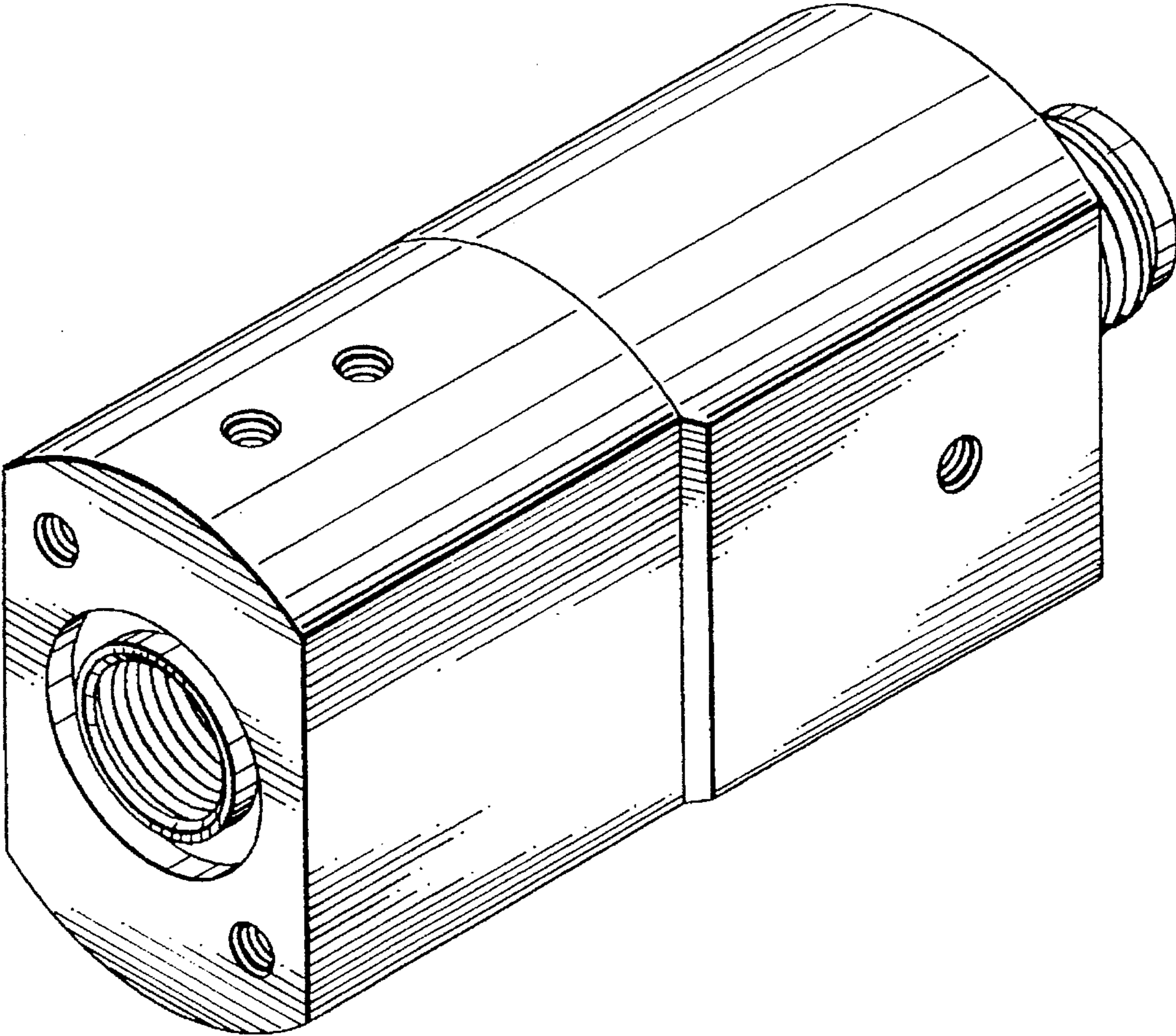
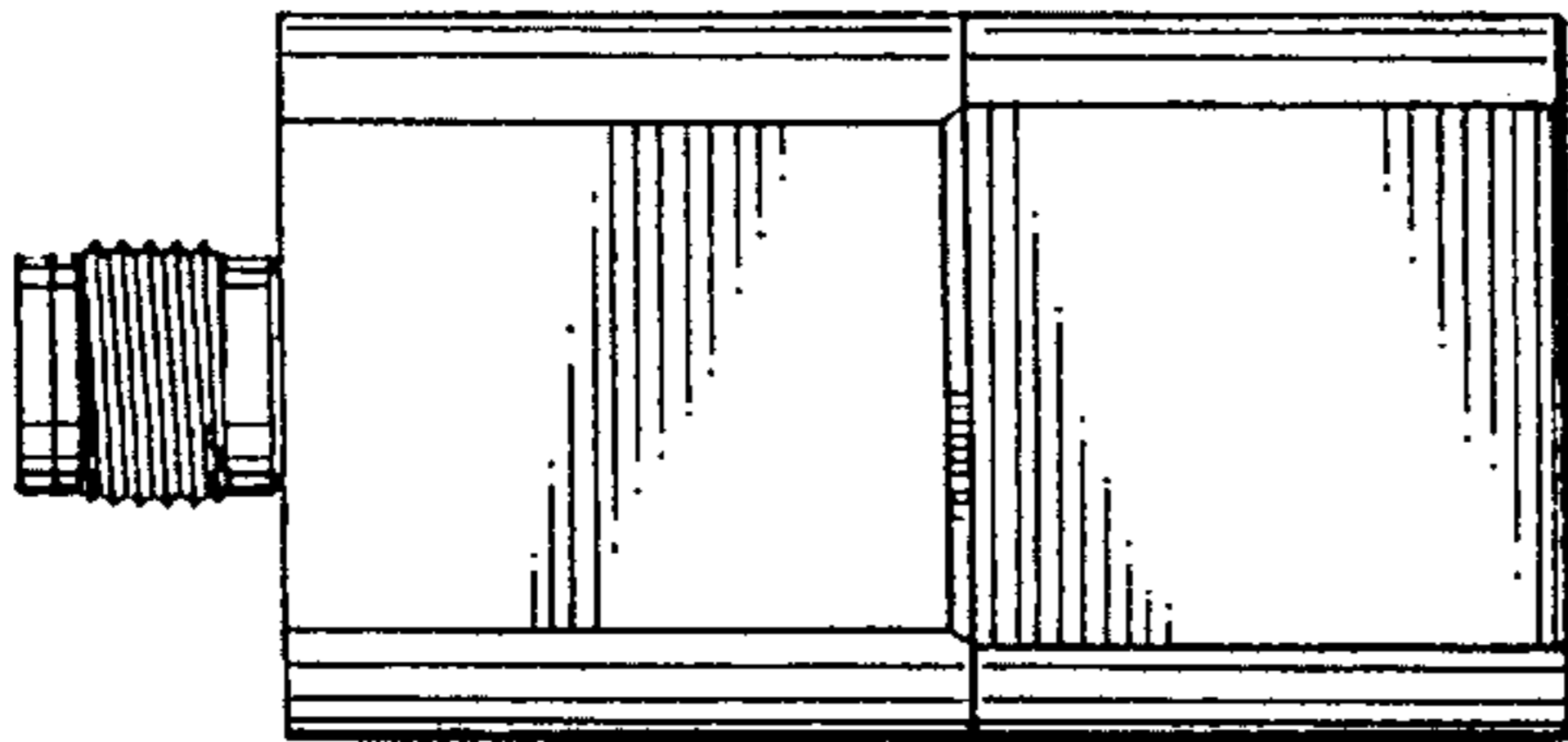


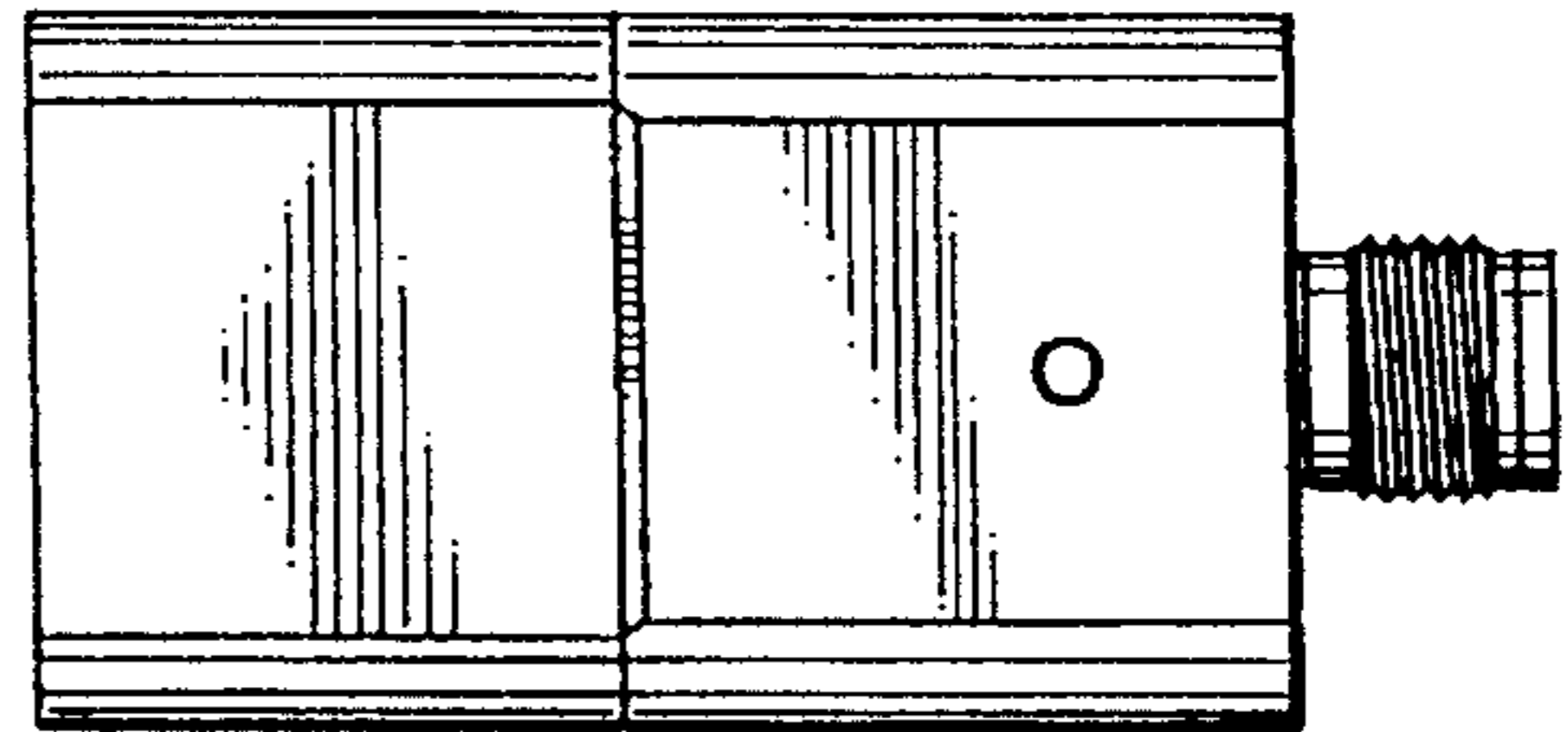
Fig. 1



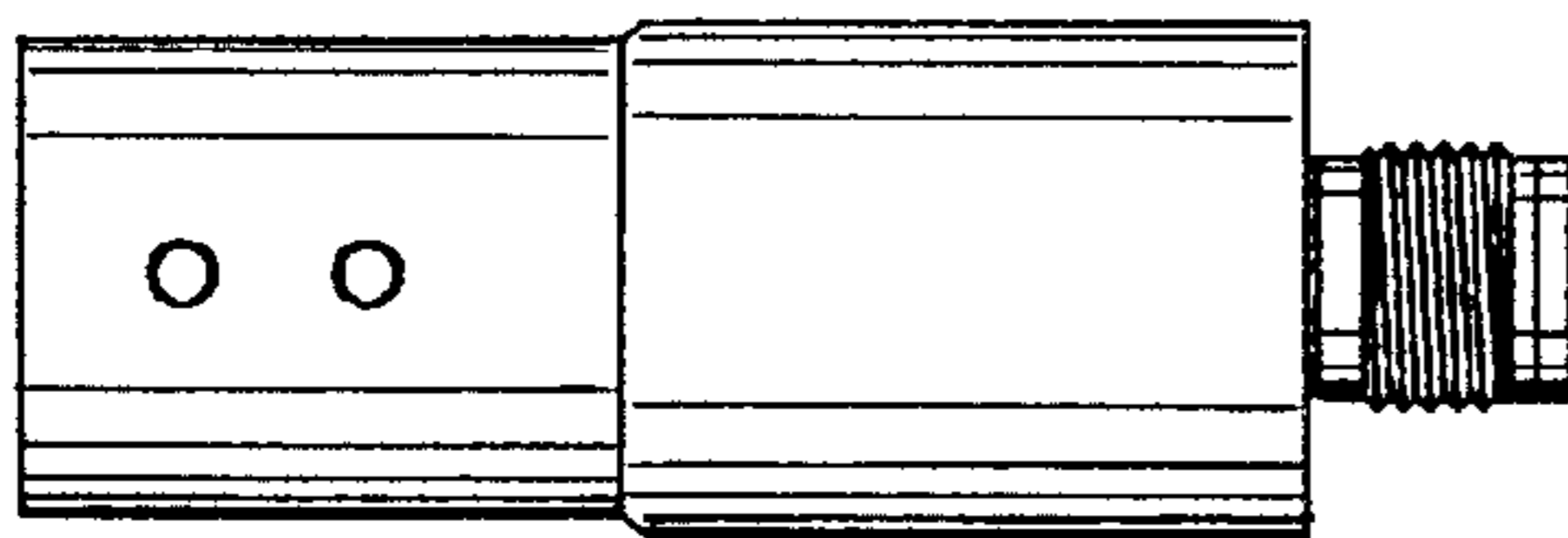
**Fig. 2**



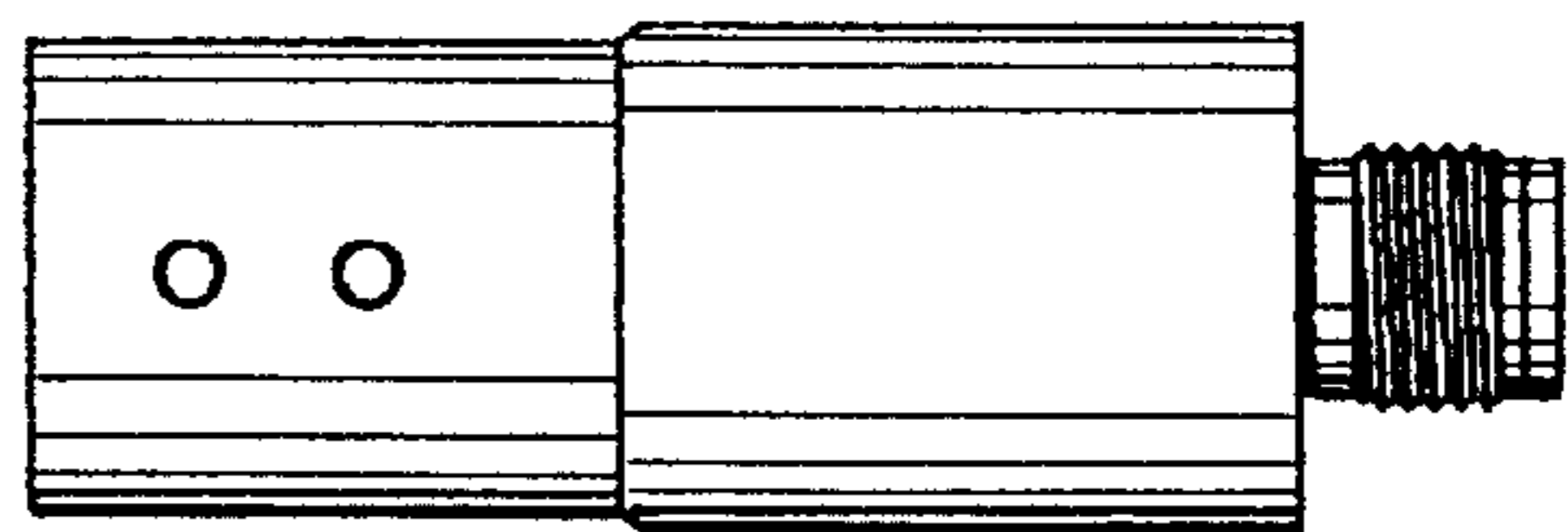
**Fig. 3**



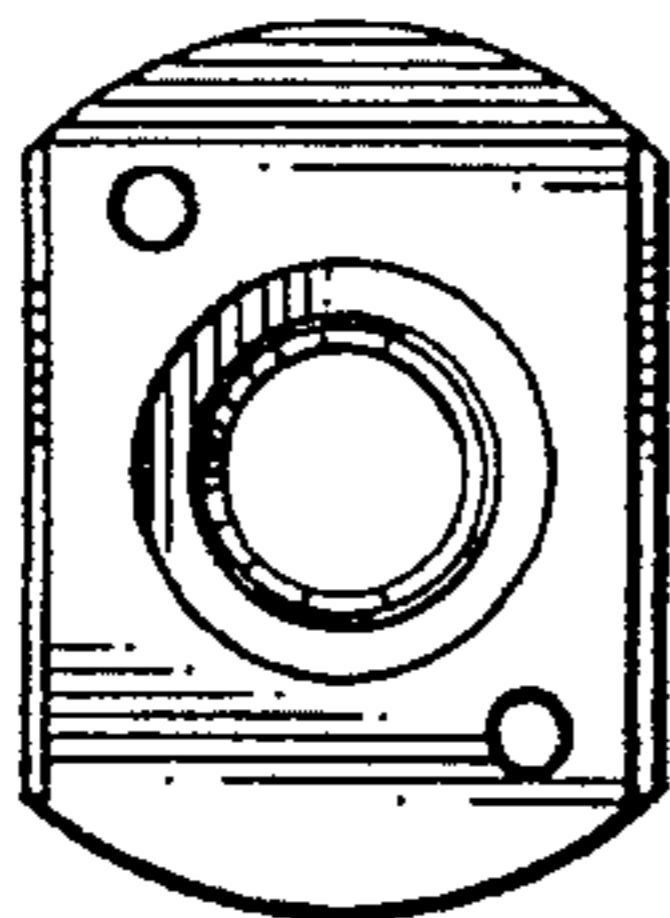
**Fig. 4**



**Fig. 5**



**Fig. 6**



**Fig. 7**

