



US00D371084S

# United States Patent [19]

[11] Patent Number: **Des. 371,084**

Ogawa

[45] Date of Patent: **\*\*Jun. 25, 1996**

[54] **RANGE METER USING A LASER LIGHT WAVE**

5,296,914 3/1994 Aldred ..... 250/559.24 X

[75] Inventor: **Kunitoshi Ogawa**, Odawara, Japan

*Primary Examiner*—Antoine Duval Davis  
*Attorney, Agent, or Firm*—Bacon & Thomas

[73] Assignee: **Sokkia Co., Ltd.**, Tokyo, Japan

[57] **CLAIM**

[\*\*] Term: **14 Years**

The ornamental design for a range meter using a laser light wave, as shown.

[21] Appl. No.: **39,384**

**DESCRIPTION**

[22] Filed: **May 19, 1995**

[52] U.S. Cl. .... **D10/70**

[58] Field of Search ..... D10/70; 250/559.24,  
250/559.32; 356/3.01–3.10, 4.01–4.05,  
5.06, 5.09, 28.5, 141.4, 141.5, 385

FIG. 1 is a top, left and rear perspective view of a range meter using a laser light wave, showing my new design; FIG. 2 is a front, top and right side perspective view thereof; FIG. 3 is a top plan view thereof; FIG. 4 is a front elevational view thereof; FIG. 5 is a bottom plan view thereof; FIG. 6 is a left side elevational view thereof; FIG. 7 is a right side elevational view thereof; and, FIG. 8 is a rear elevational view thereof.

[56] **References Cited**

**U.S. PATENT DOCUMENTS**

- D. 268,910 5/1983 Shipp et al. .... D10/70
- D. 270,816 10/1983 Hays, Jr. et al. .... D10/70

**1 Claim, 3 Drawing Sheets**

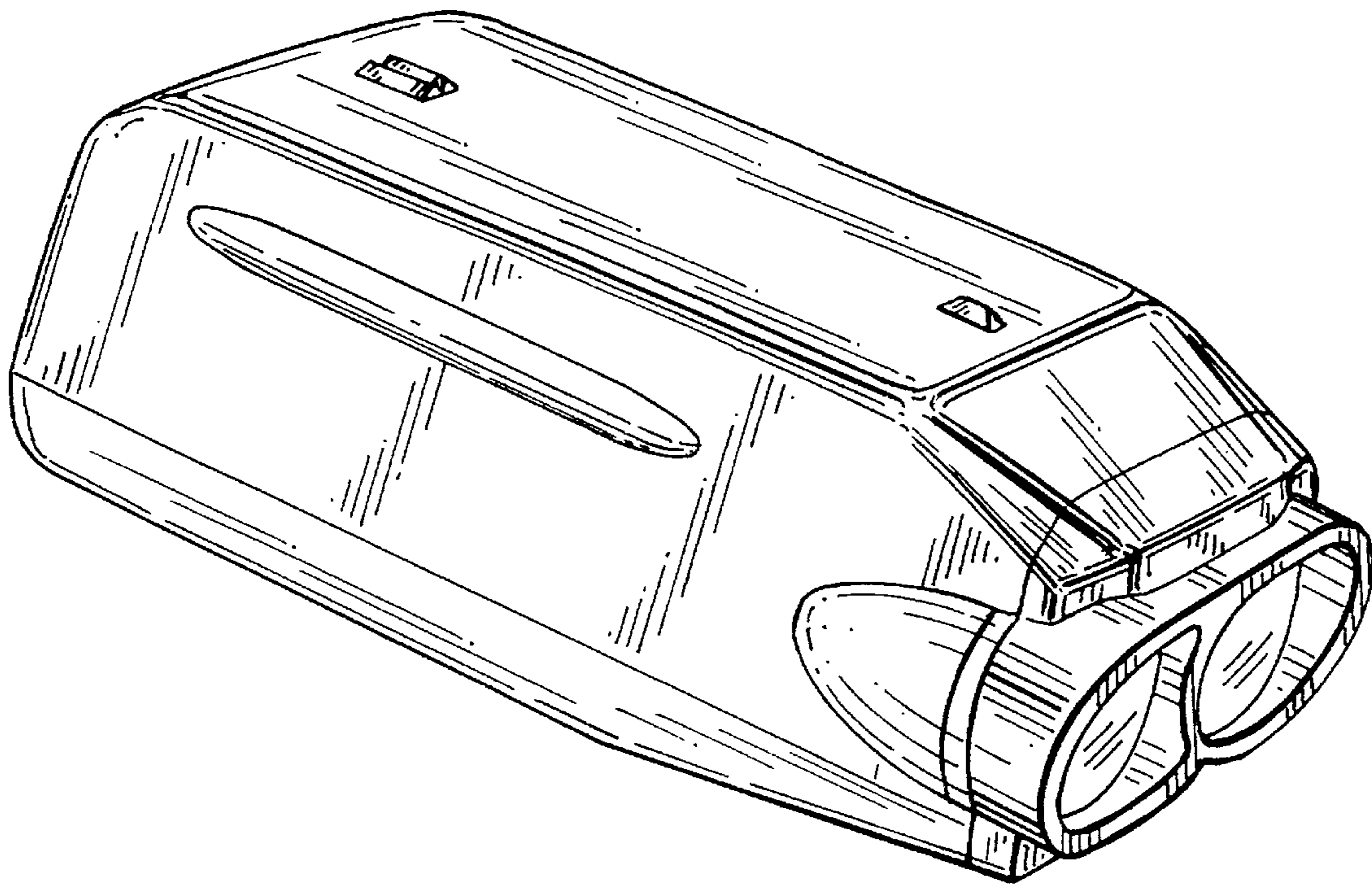


FIG. 1

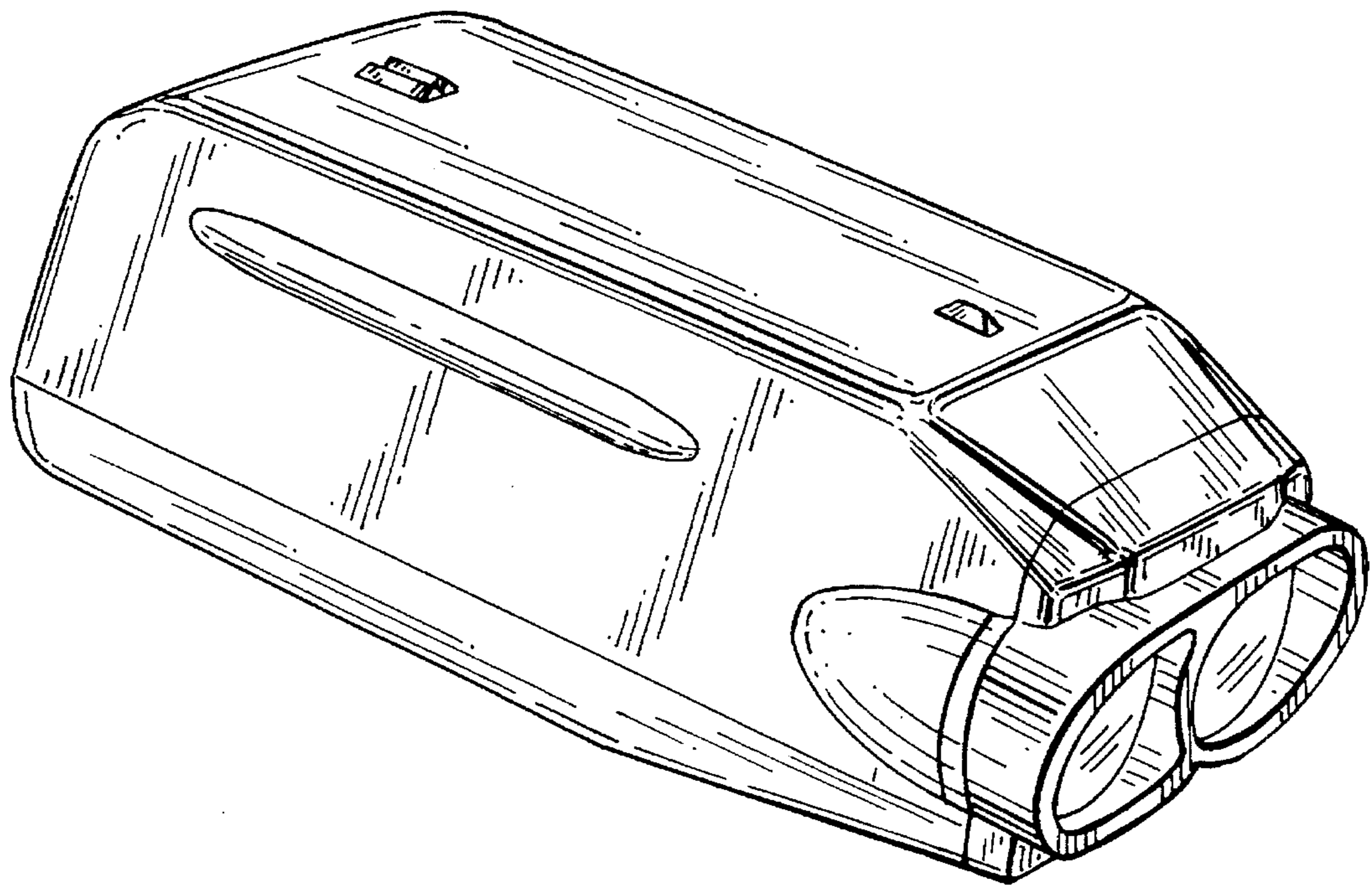


FIG. 2

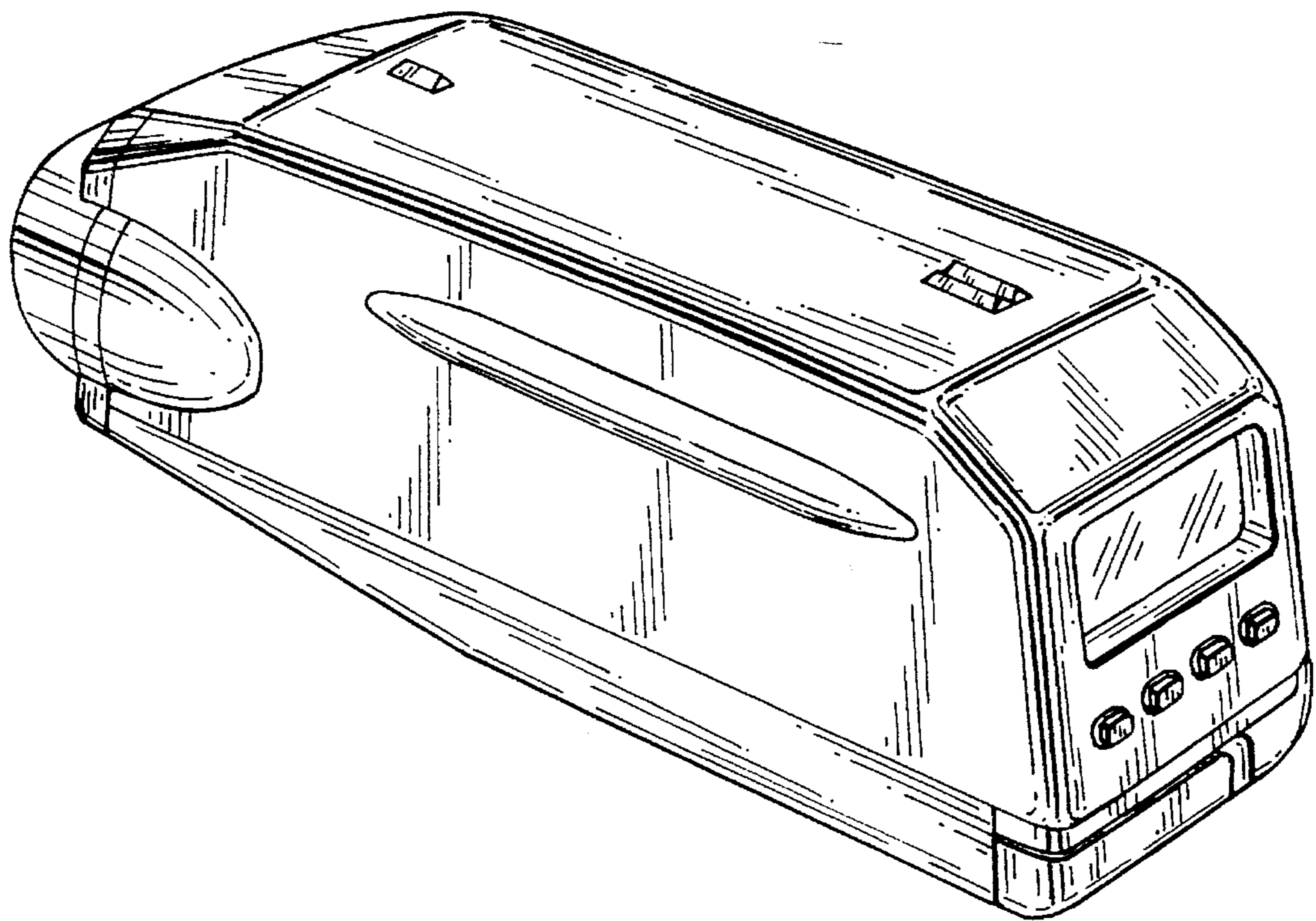


FIG. 3

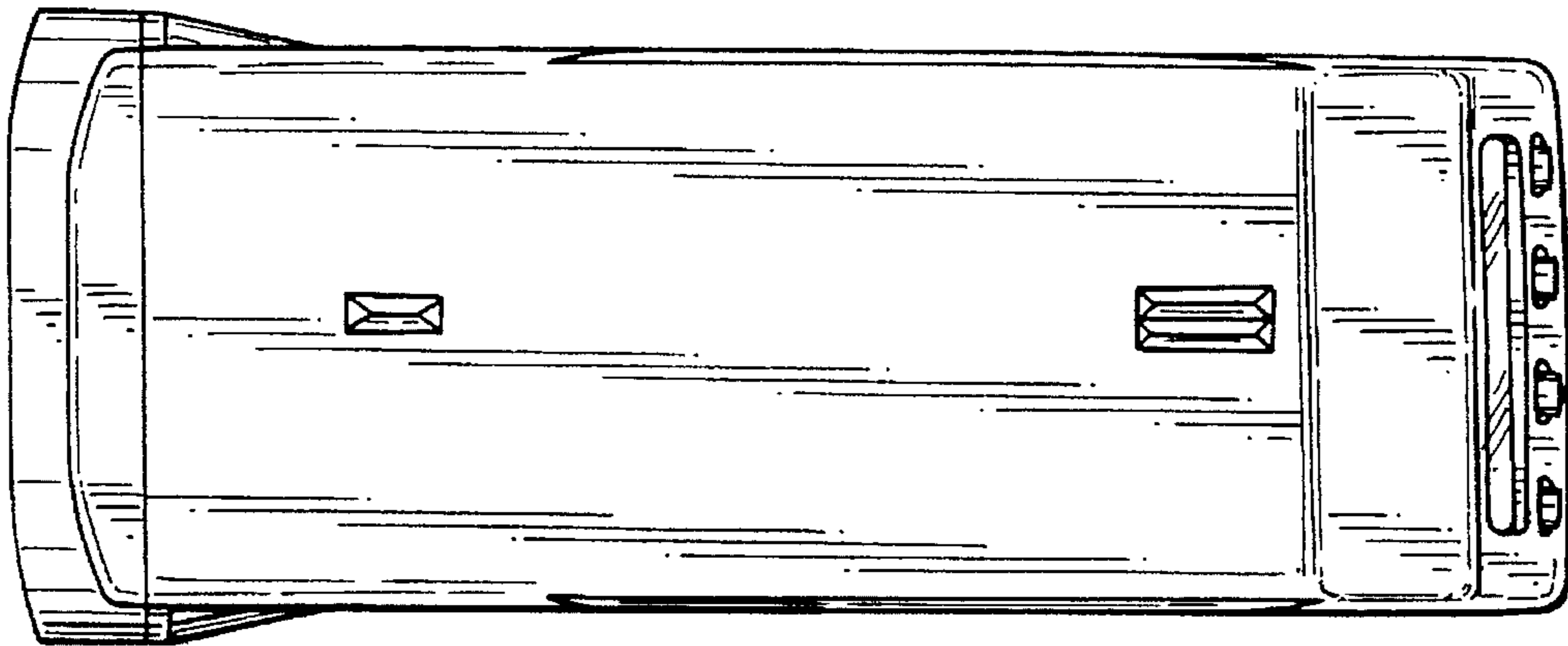


FIG. 4

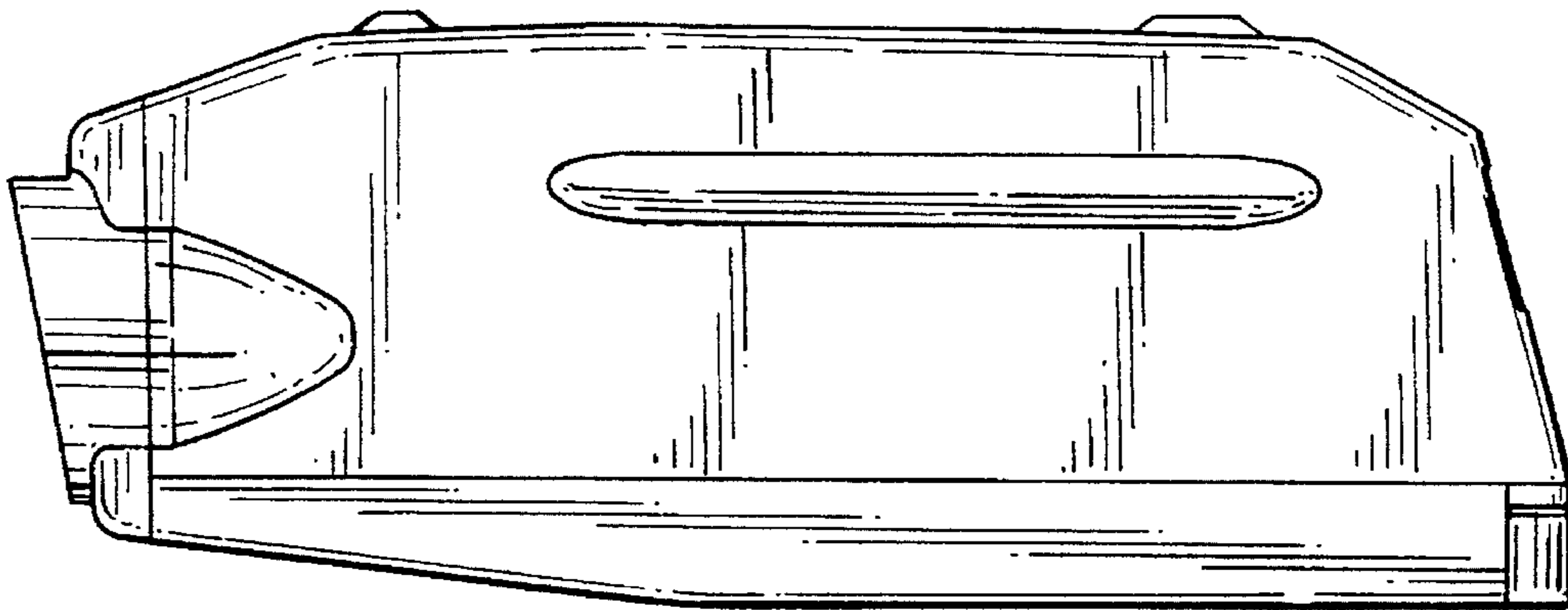


FIG. 5

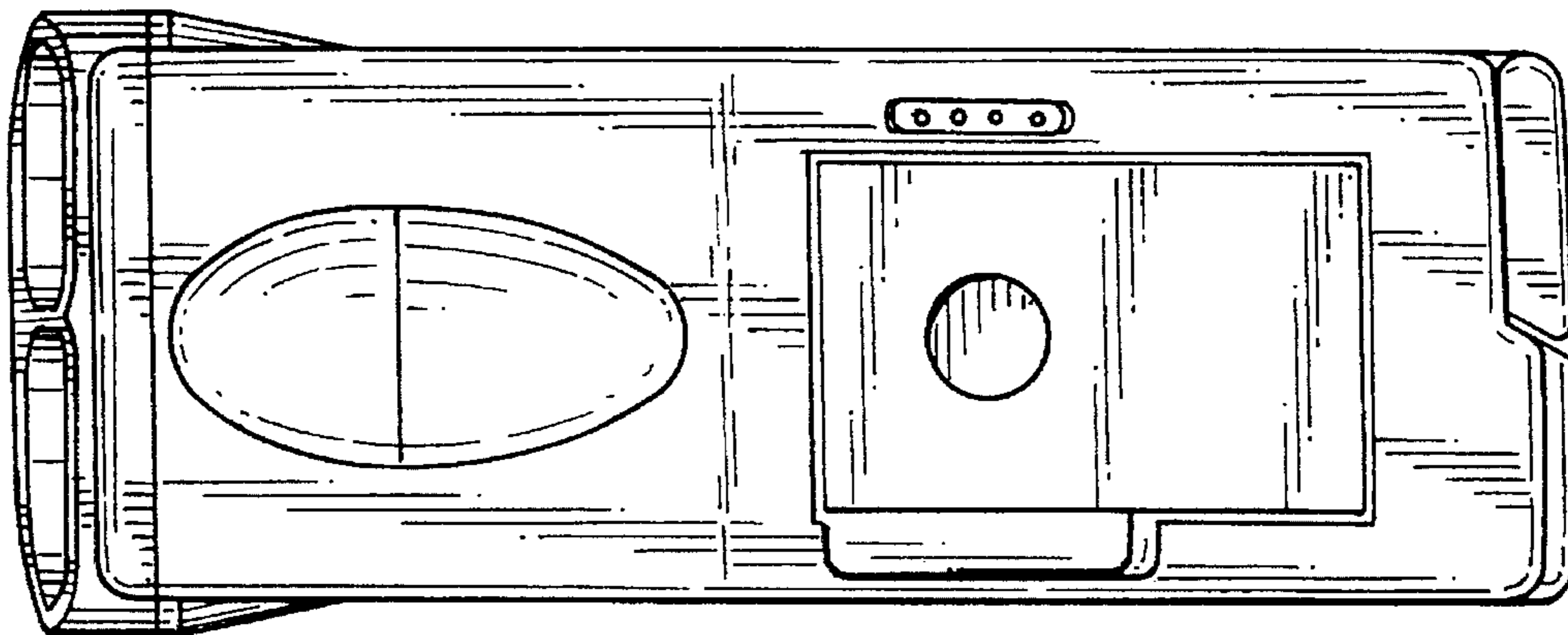


FIG. 6

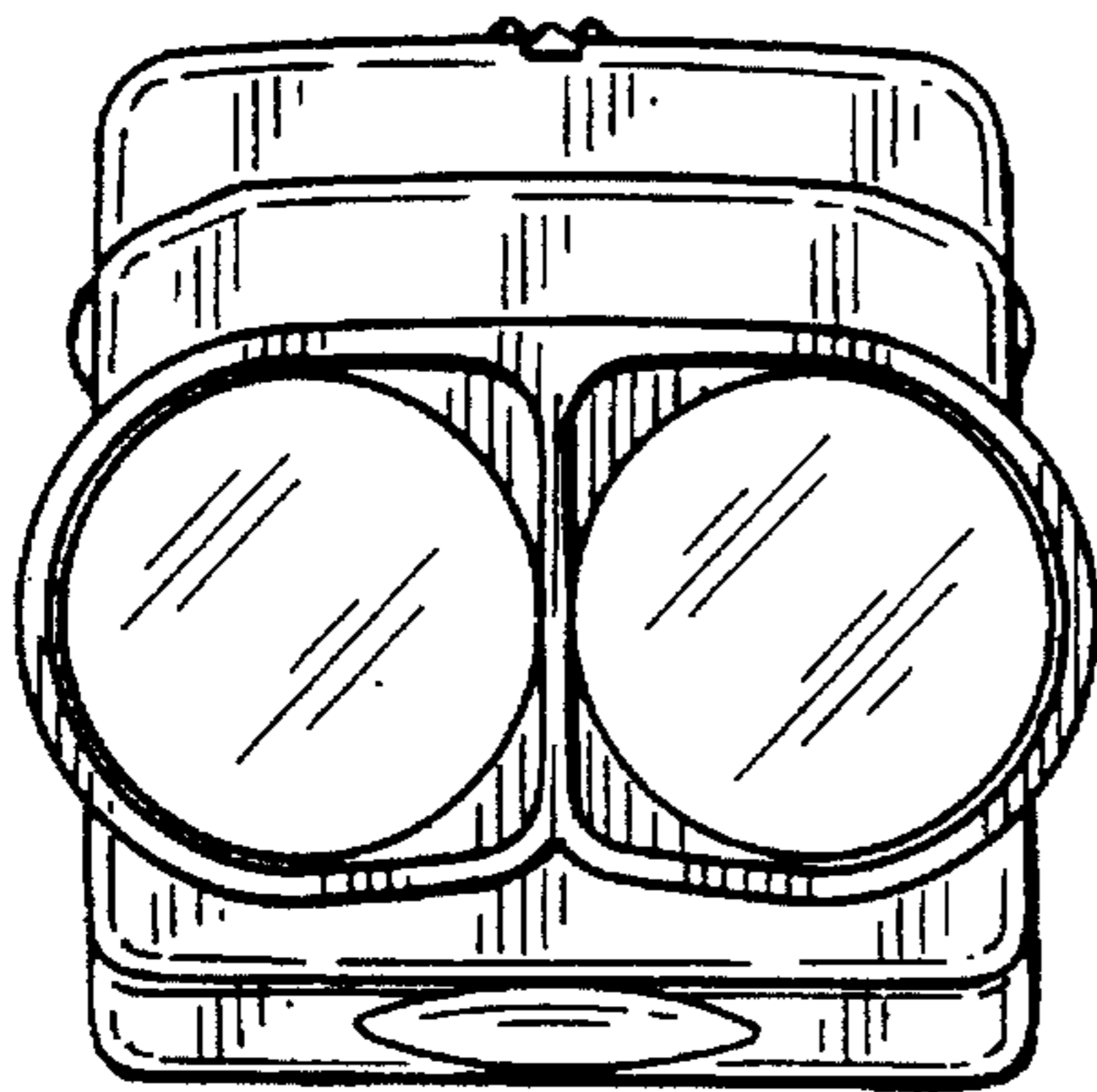


FIG. 7

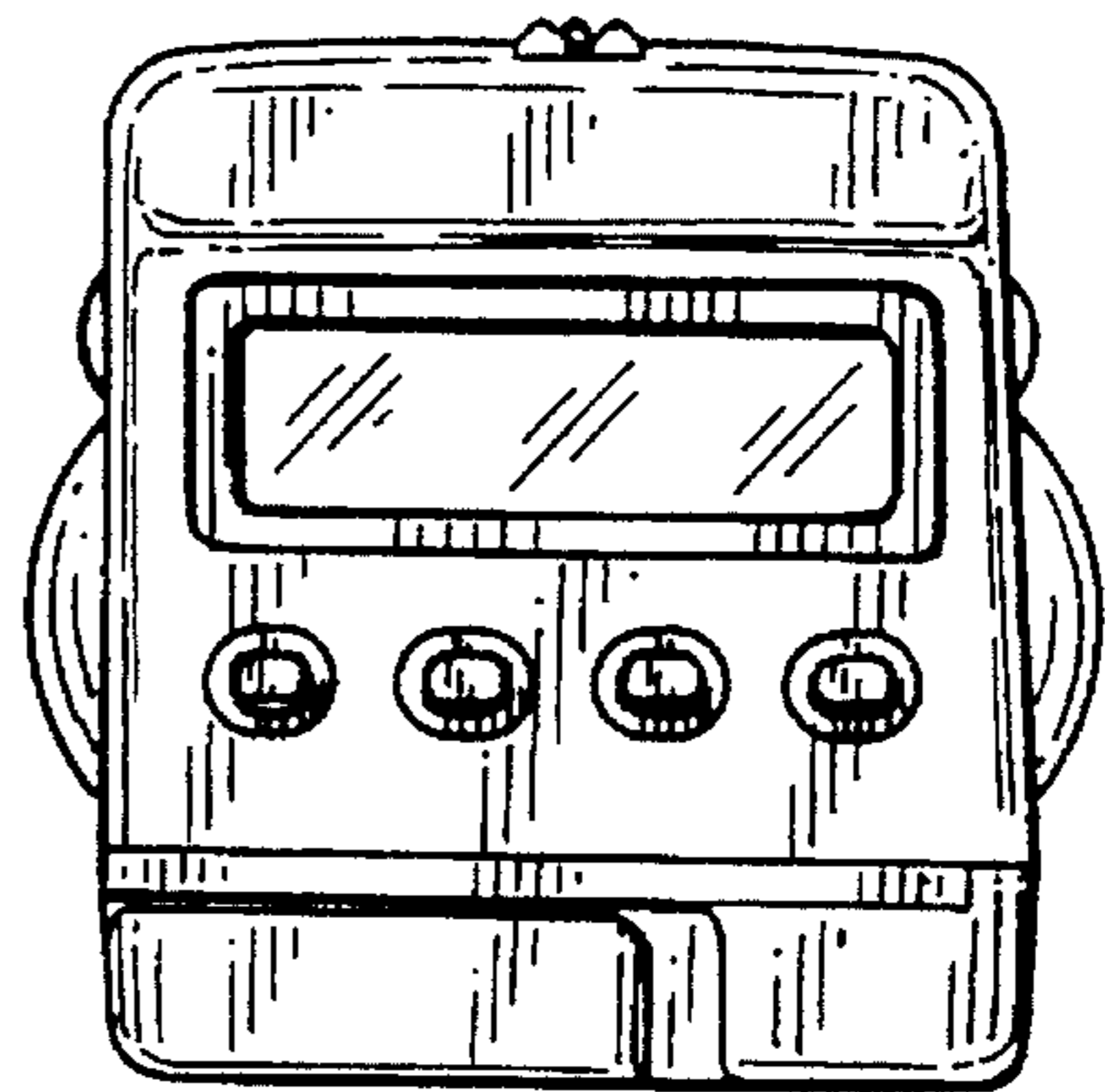


FIG. 8

