



US00D371071S

United States Patent [19] Ford

[11] Patent Number: **Des. 371,071**

[45] Date of Patent: ****Jun. 25, 1996**

[54] **CAP KEEPER**

4,637,516	1/1987	de Roure	206/461
5,022,515	6/1991	Agostine	.
5,074,410	12/1991	Fries et al.	.
5,220,999	6/1993	Goulette	.

[76] Inventor: **Gale W. Ford**, 1109 Wembley Dr.,
Hermitage, Tenn. 37076

[**] Term: **14 Years**

OTHER PUBLICATIONS

[21] Appl. No.: **38,645**

Product information for the Cap Caddy from Thinker Innovations, Inc., Dec., 1993.

[22] Filed: **May 10, 1995**

Primary Examiner—Ted Shooman

[52] U.S. Cl. **D9/415**

Assistant Examiner—Paula Mortimer

[58] Field of Search D2/892, 865; 2/195.1;
D9/415, 418, 425, 428, 337, 320; 206/461,
243, 462, 469, 470, 471, 806, 8

Attorney, Agent, or Firm—Richard C. Litman

[57] CLAIM

[56] **References Cited**

The ornamental design for a cap keeper, as shown and described.

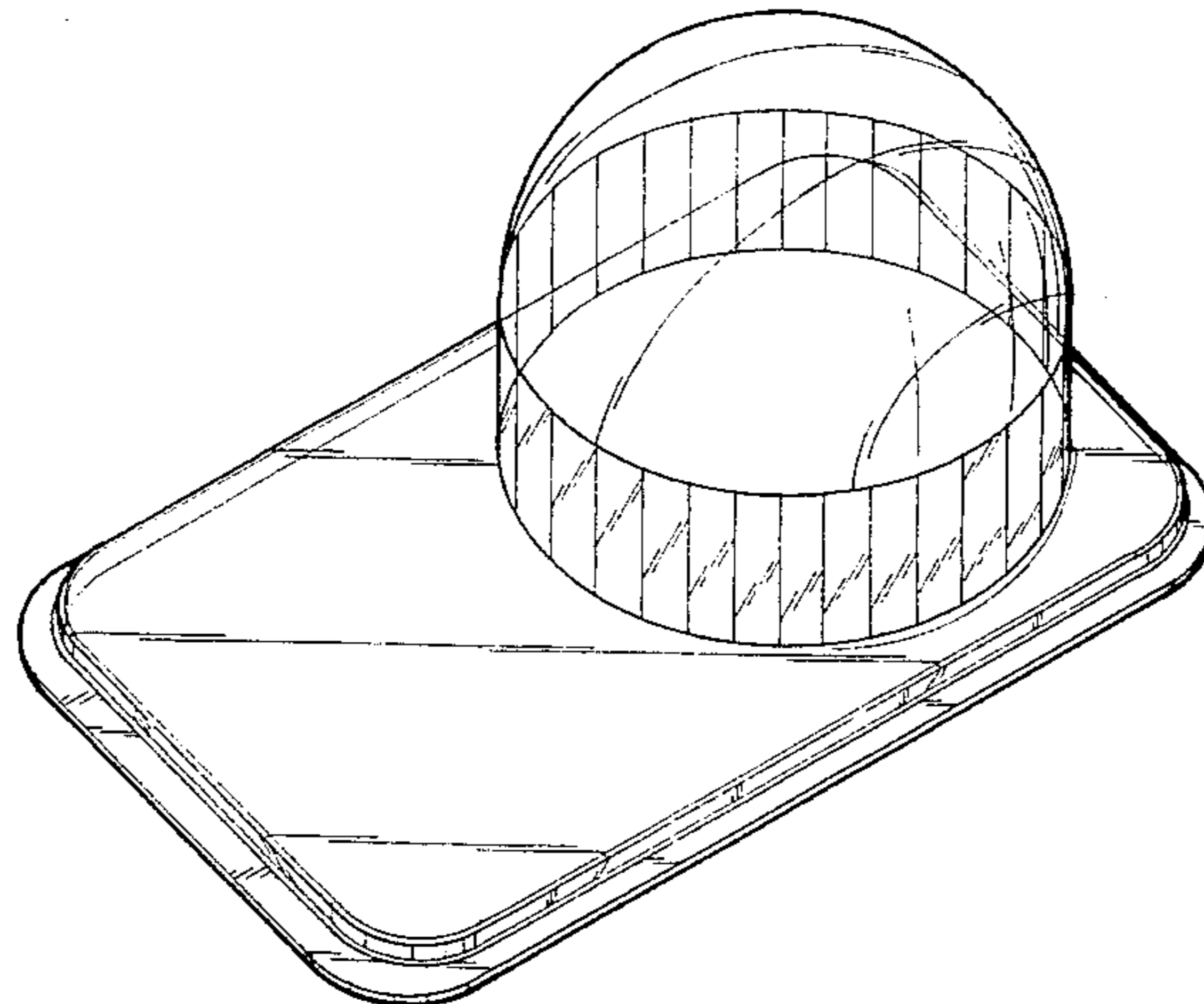
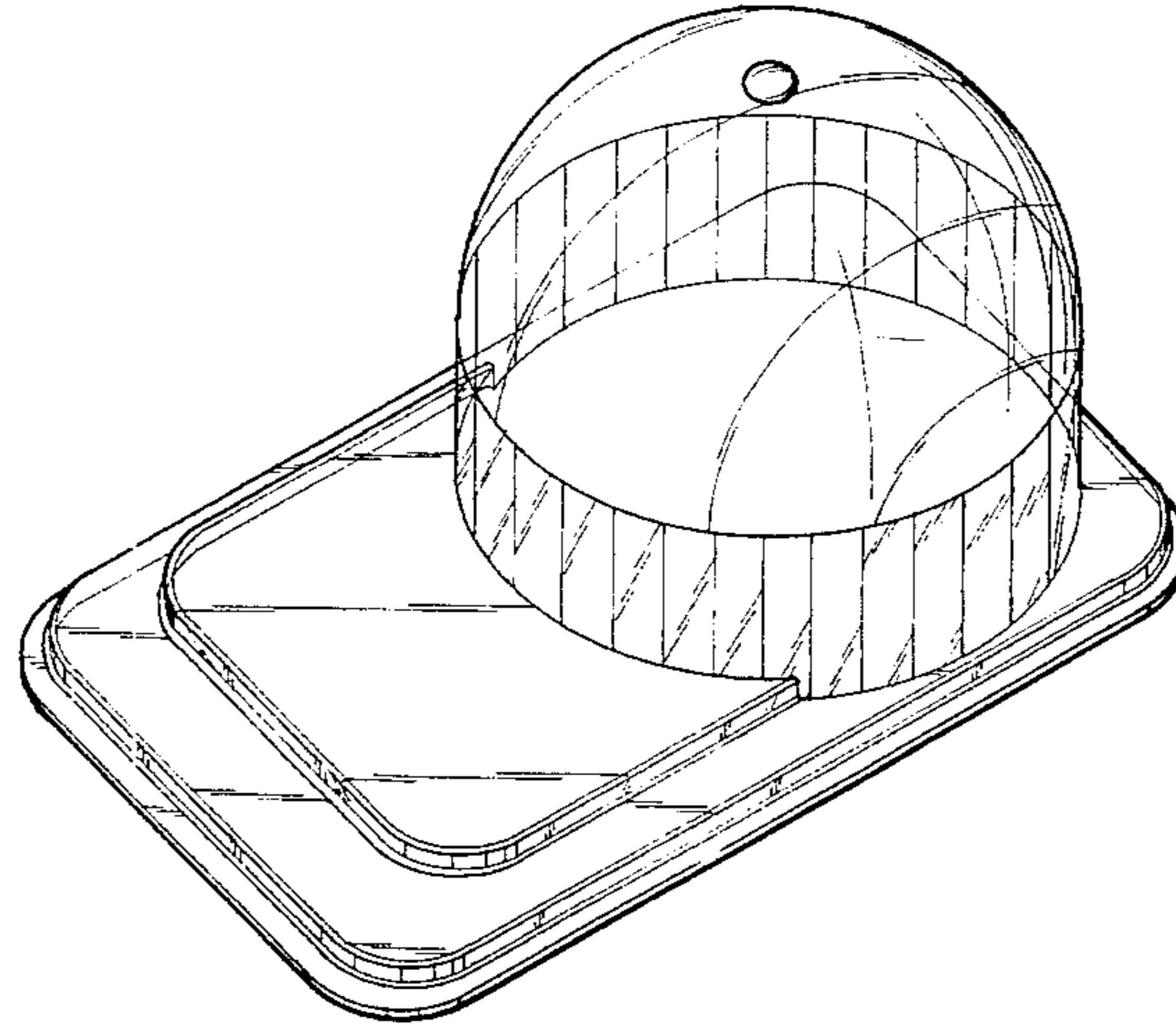
U.S. PATENT DOCUMENTS

DESCRIPTION

17,878	11/1887	Biermann	D9/320
23,897	12/1894	Barthman, Jr.	D9/320
D. 211,449	6/1968	Seiferth et al.	D9/415
D. 233,642	11/1974	Arnold	D9/320 X
D. 234,122	1/1975	Horbutt	D9/415
D. 318,174	7/1991	Hanson	.
D. 344,233	2/1994	Peters	D9/320 X
D. 355,600	2/1995	Ford	D9/415
3,324,994	6/1967	Rausser, Sr.	.
3,595,428	7/1971	Mounts	D9/415 X
4,278,693	7/1981	Dingethal et al.	206/461

FIG. 1 is an exploded front perspective view of a cap keeper showing my new design;
FIG. 2 is an exploded top plan view thereof;
FIG. 3 is an exploded front elevational view thereof;
FIG. 4 is an exploded right side elevational view, the left side is a mirror image;
FIG. 5 is a rear elevational view; and,
FIG. 6 is an exploded bottom plan view.

1 Claim, 6 Drawing Sheets



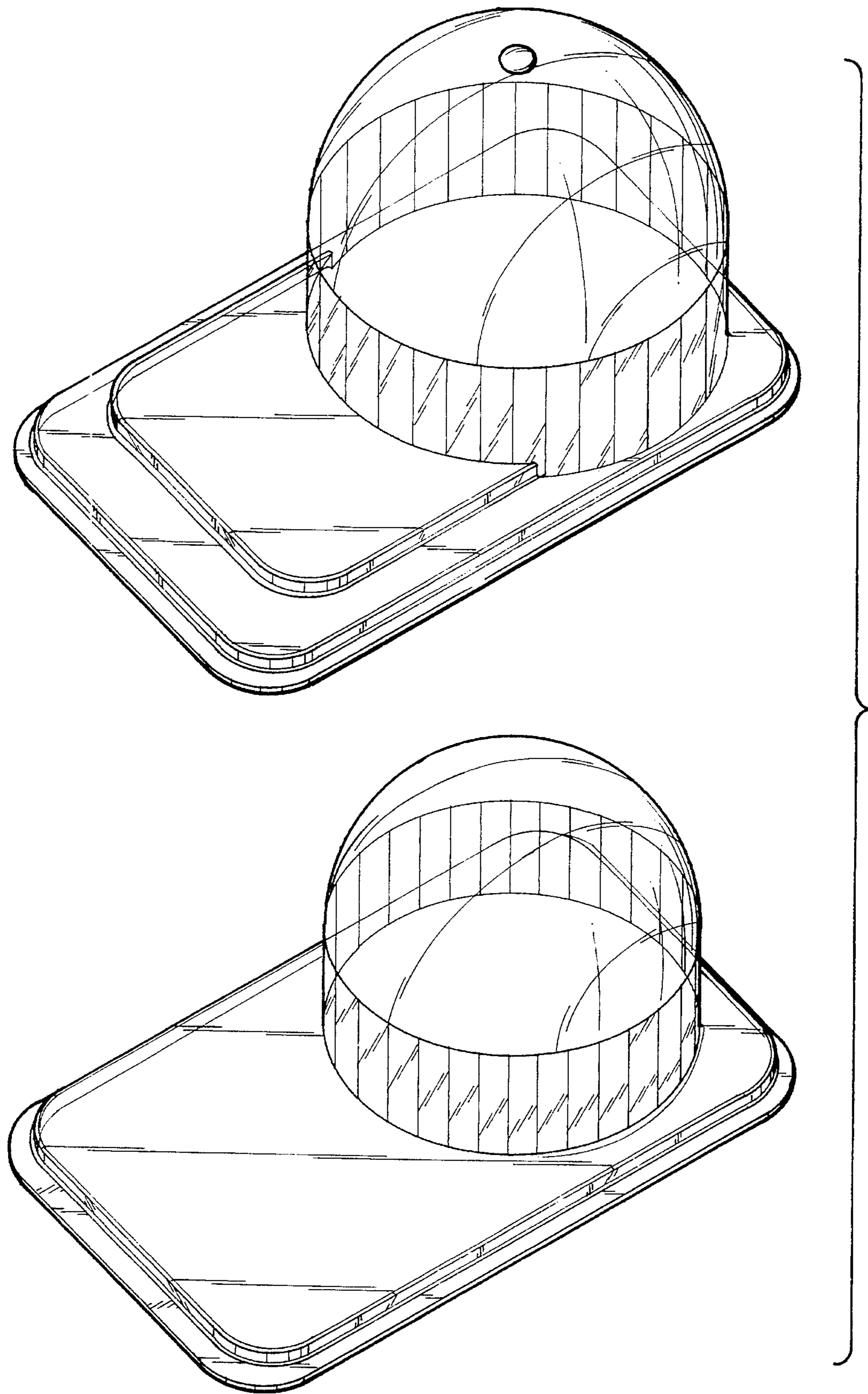


FIG. 1

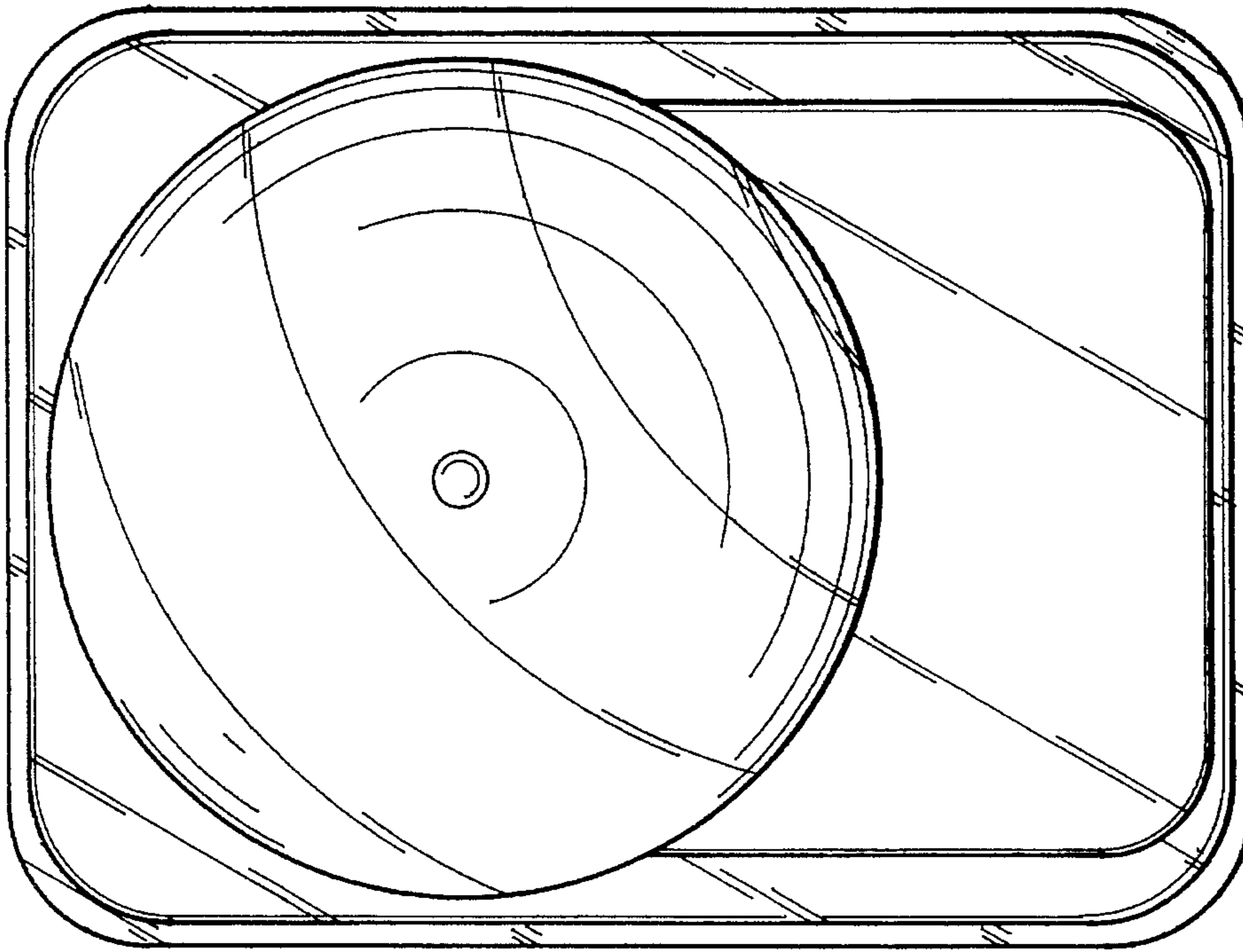
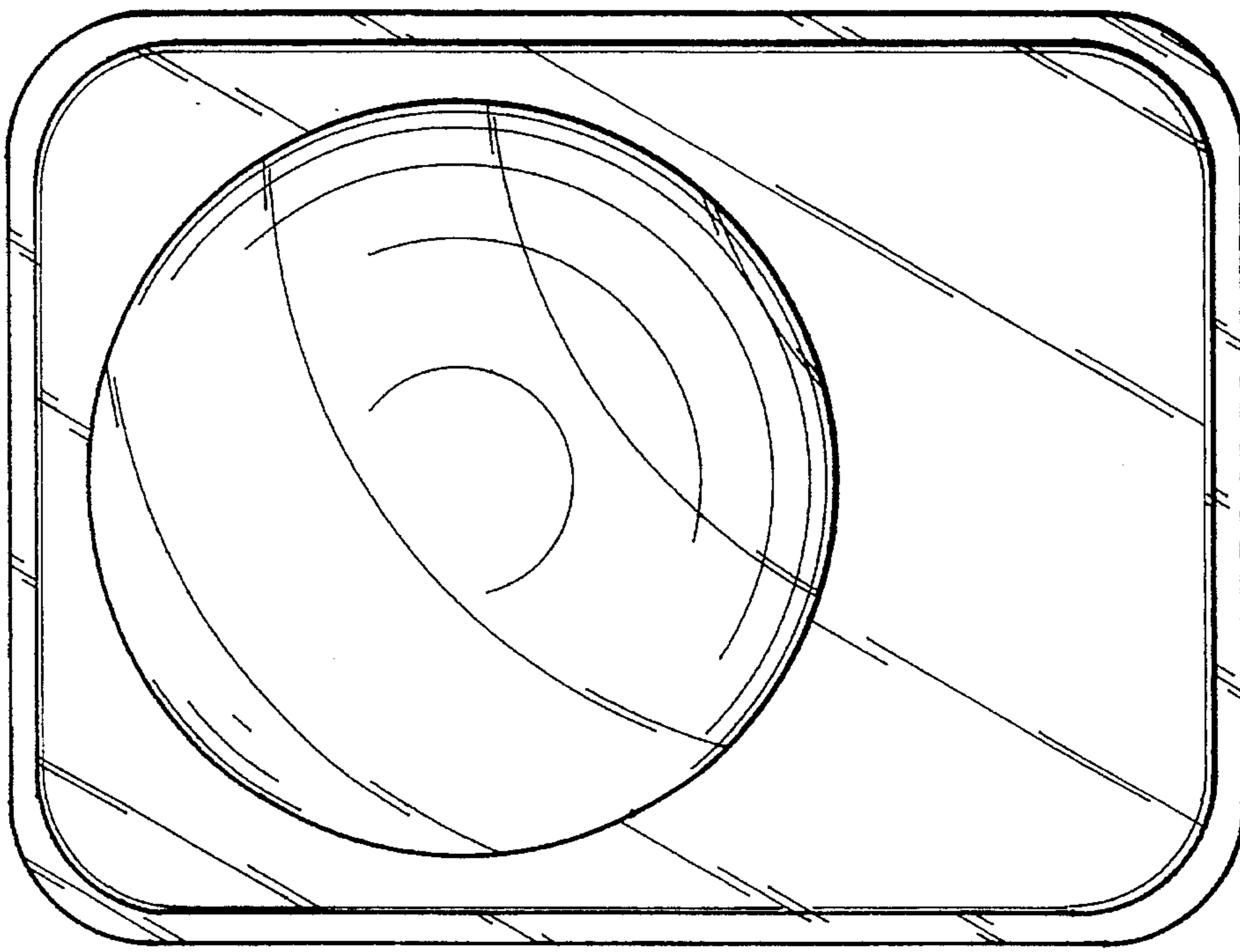


FIG. 2

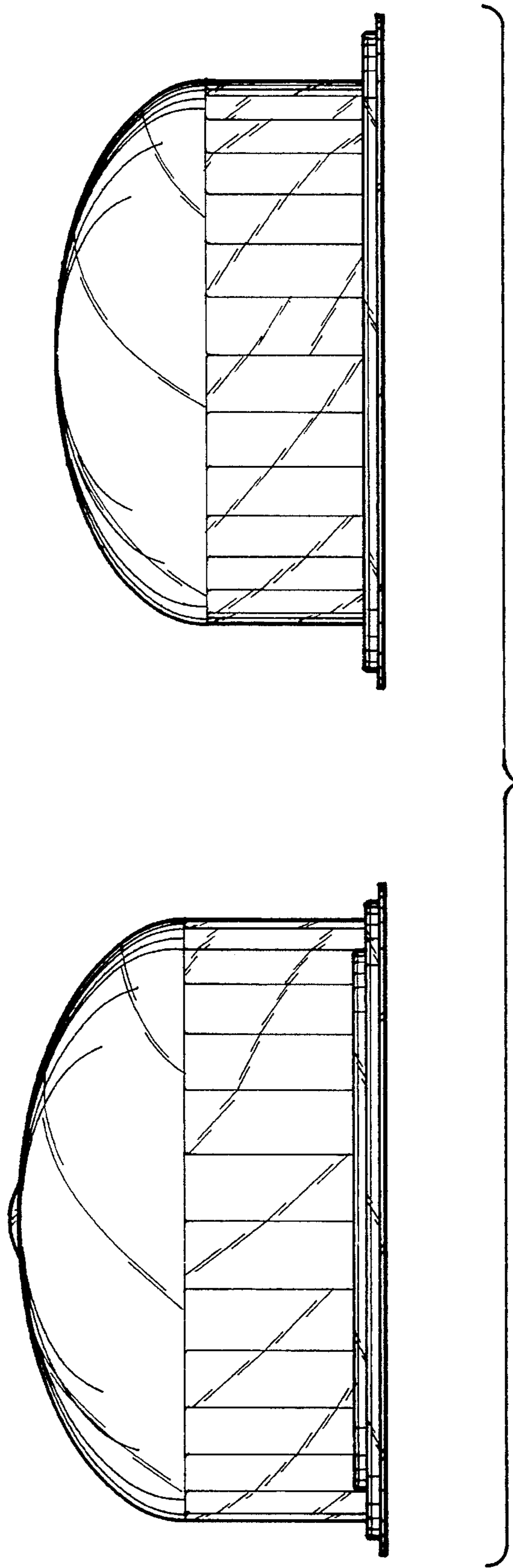


FIG. 3

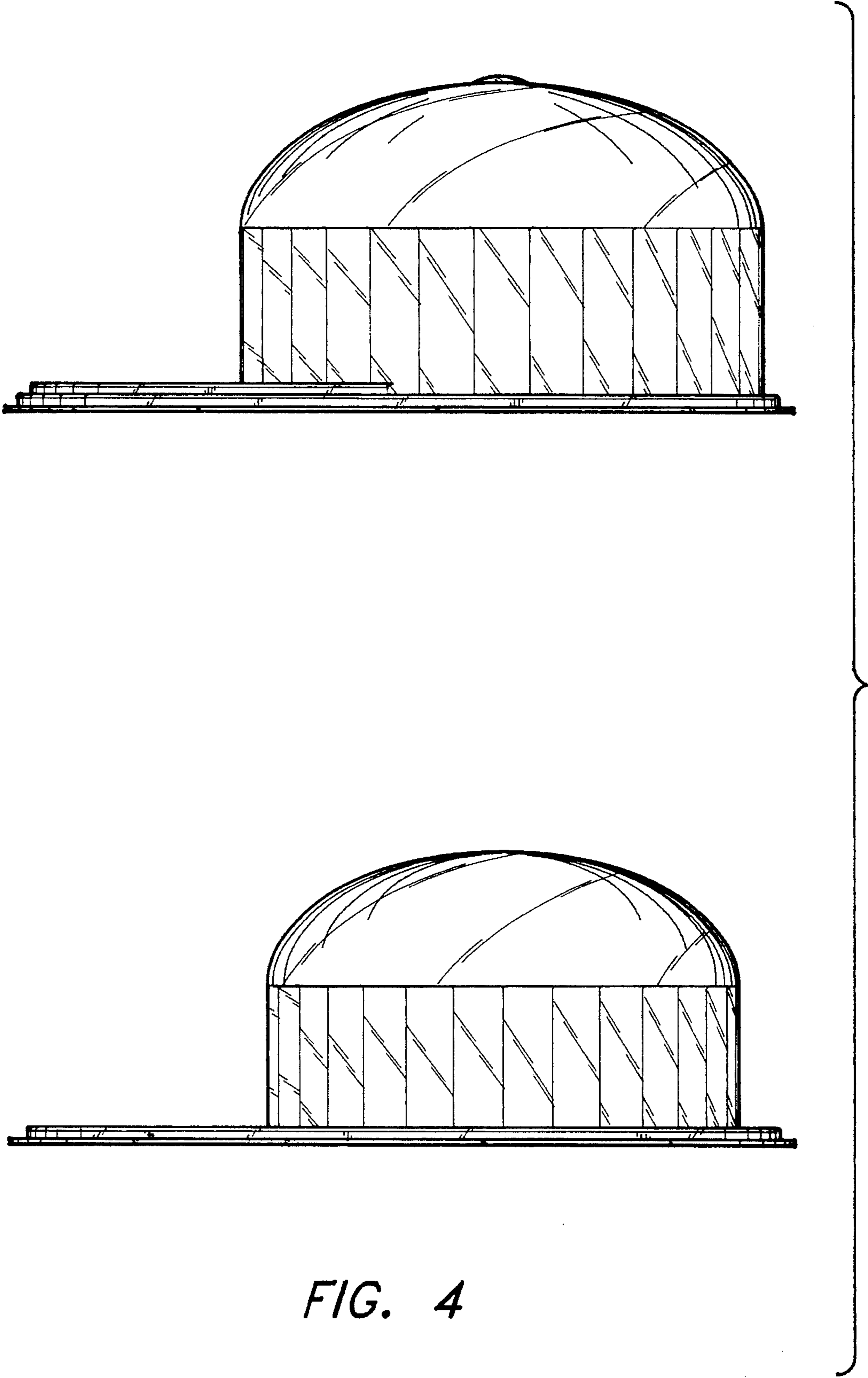


FIG. 4

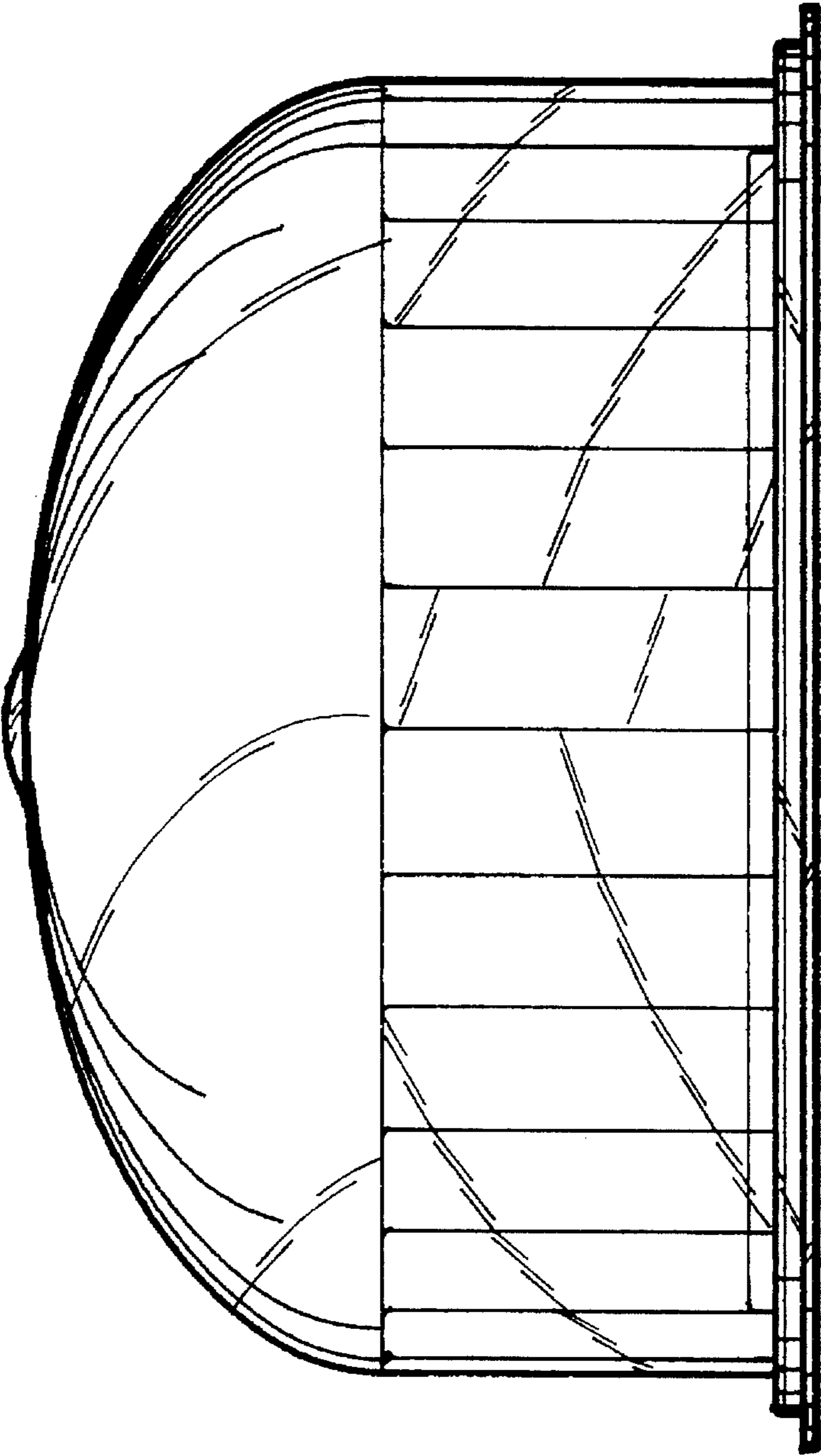


FIG. 5

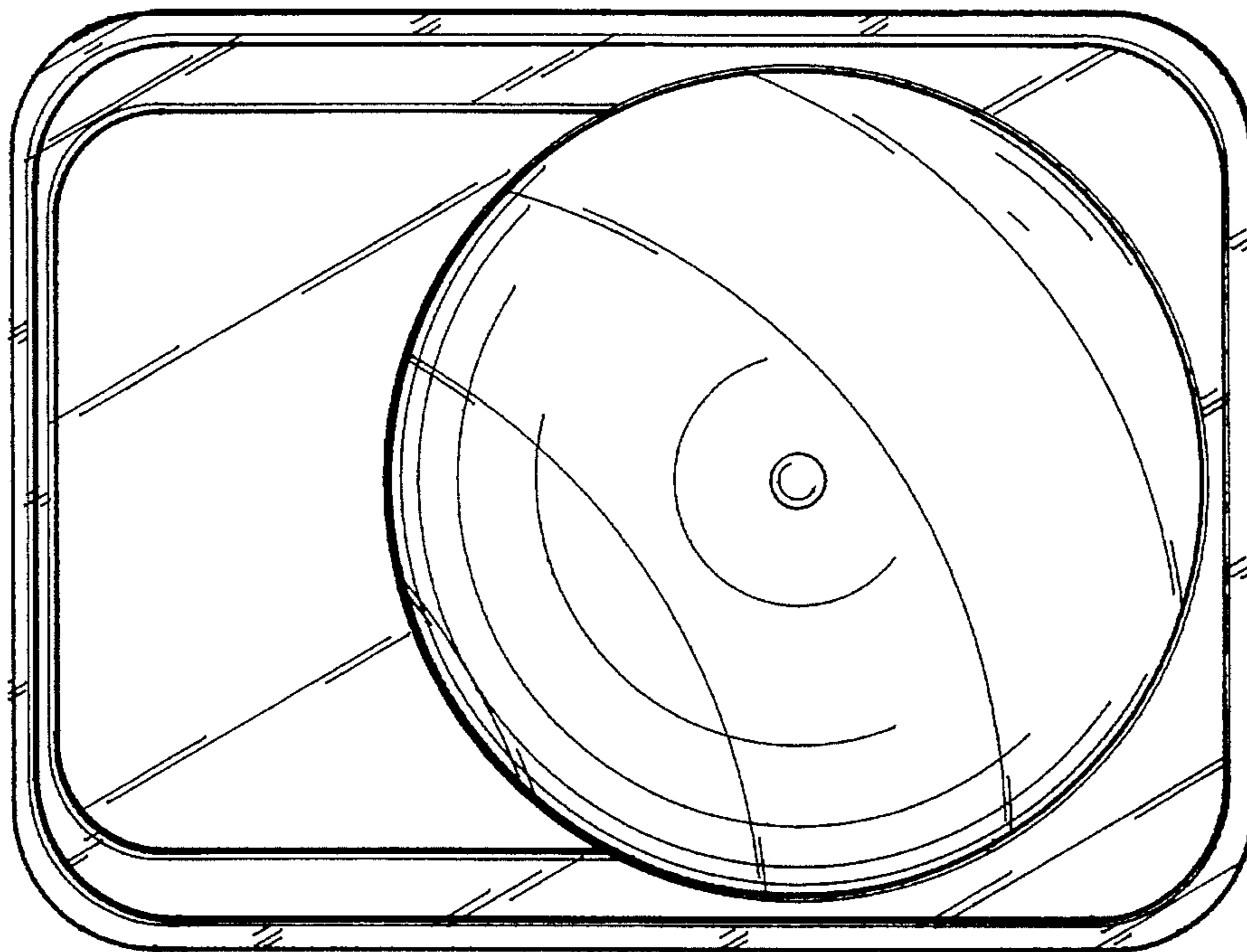
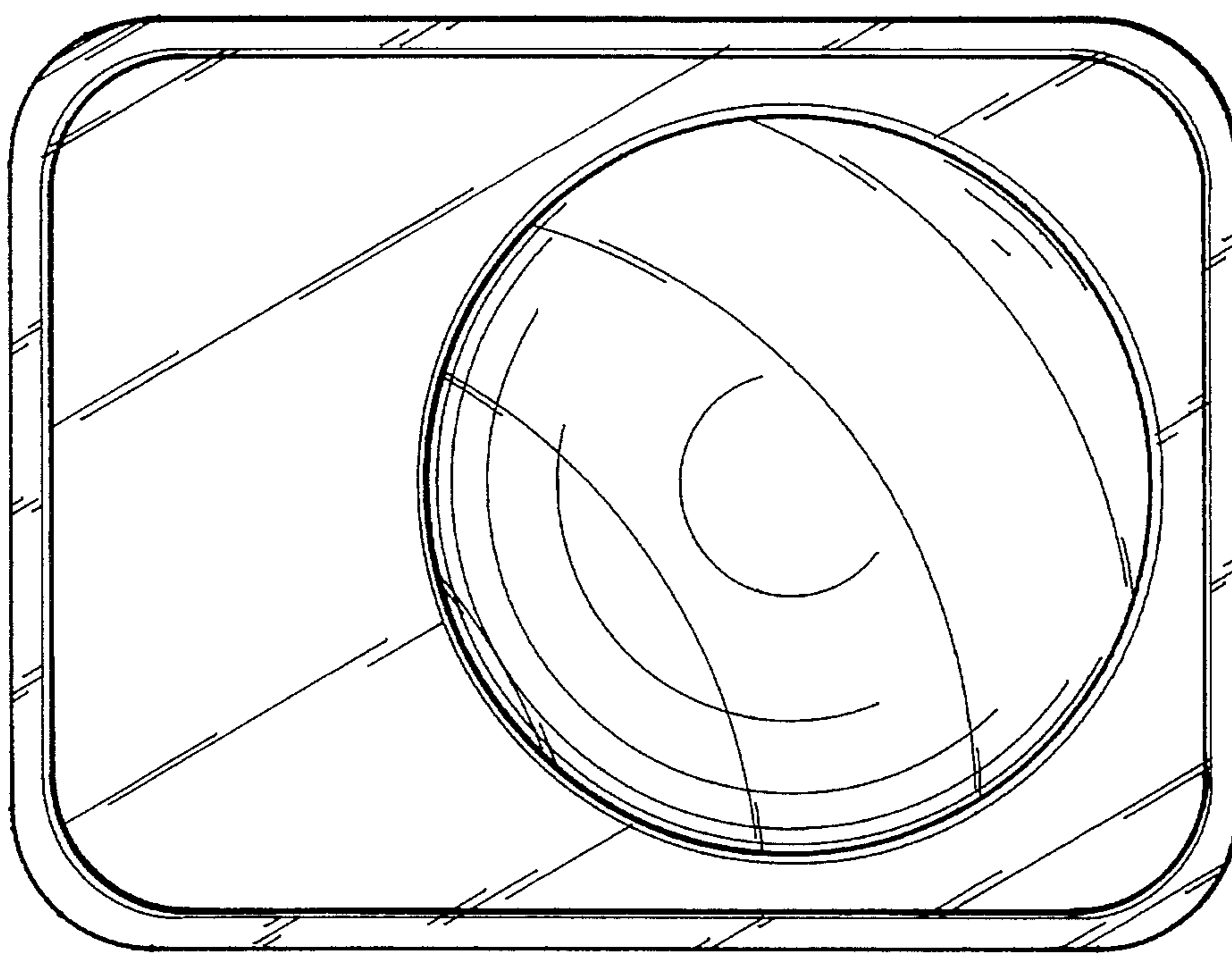


FIG. 6