



US00D371070S

United States Patent [19]

[11] Patent Number: **Des. 371,070**

Brier

[45] Date of Patent: ****Jun. 25, 1996**

[54] **GARMENT DISPLAY PACKAGE**

[75] Inventor: **Marci A. Brier**, Huntersville, N.C.

[73] Assignee: **Kemfast Sportsox, Inc.**, Lincolnton, N.C.

[**] Term: **14 Years**

[21] Appl. No.: **35,577**

[22] Filed: **Mar. 2, 1995**

2,054,661	9/1936	Reich .	
2,757,791	8/1956	Kendig .	
3,037,621	6/1962	Jackman .	
3,057,462	10/1962	Rouder .	
3,157,276	11/1964	Haas, Jr. .	
3,946,936	3/1976	Brown	206/806 X
4,257,522	3/1981	Thorneburg	206/806 X
4,450,961	5/1984	Bies et al.	206/493 X
4,485,917	12/1984	Smith .	
4,512,464	4/1985	Sylvester	206/278 X
4,569,441	2/1986	Inghirami .	
4,601,417	7/1986	Kunreuther .	
5,348,148	9/1994	Lancaster	206/299 X

Related U.S. Application Data

[63] Continuation of Ser. No. 382,438, Feb. 2, 1995.

[52] U.S. Cl. **D9/415**

[58] Field of Search D9/415, 418, 456, D9/455; 206/278, 279, 288, 286, 292, 299, 300, 493, 806; 229/87.15, 87.16, 87.17, 87.18; 211/113, 118, 149; D7/104; D1/102-105; 220/528, 556

Primary Examiner—Prabhakar G. Deshmukh
Attorney, Agent, or Firm—W. Thad Adams, III

[57] CLAIM

The ornamental design for a garment display package, as shown and described.

DESCRIPTION

FIG. 1 is a perspective view of a garment display package showing my new design, and a garment and attachment shown in phantom; the garment and attachment forming no part of the claimed design;

FIG. 2 is a front elevational view thereof;

FIG. 3 is a top plan view thereof;

FIG. 4 is a bottom plan view thereof; and,

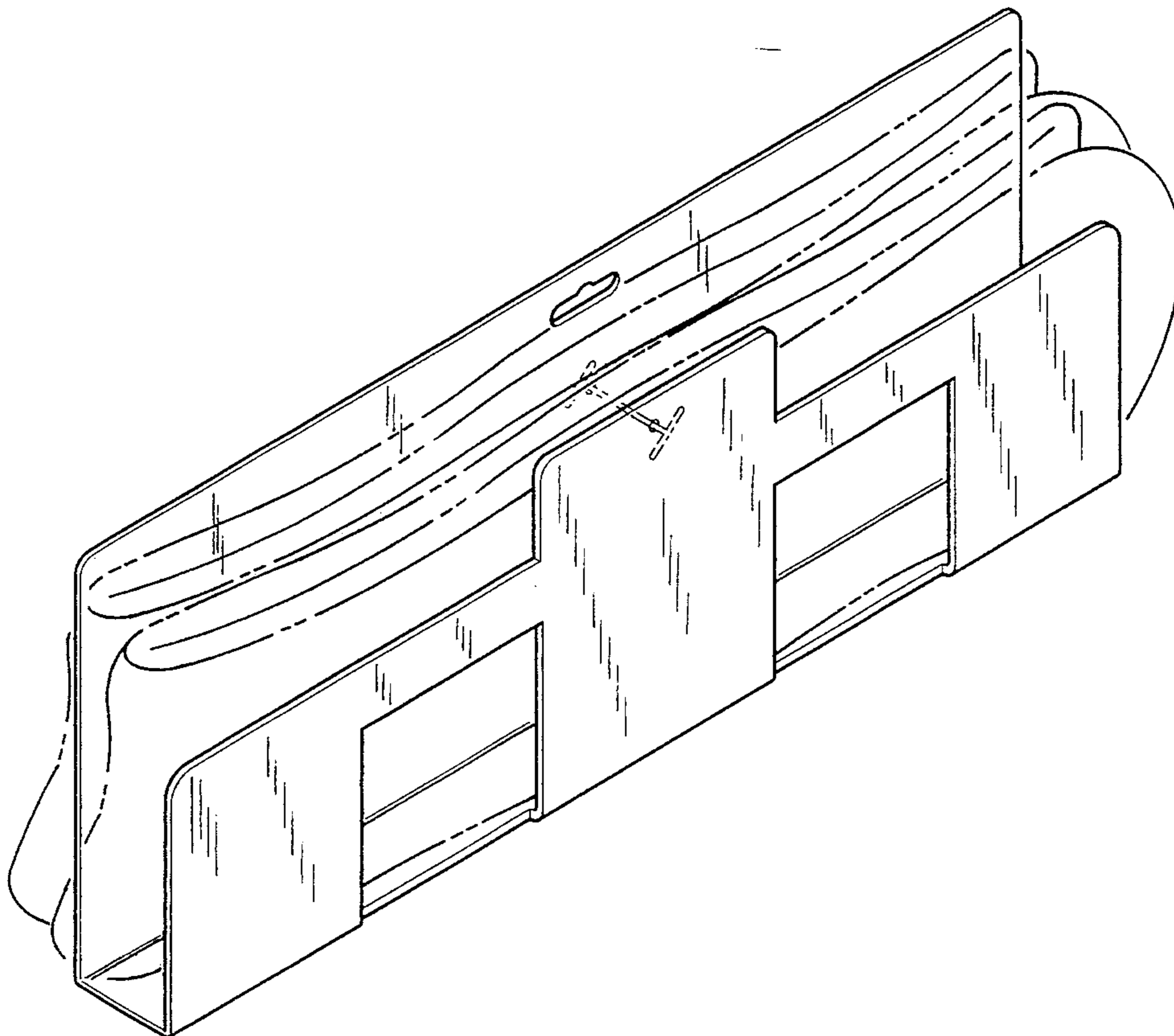
FIG. 5 is a right side elevational view thereof; the left side elevational view being a mirror image thereof.

1 Claim, 2 Drawing Sheets

[56] References Cited

U.S. PATENT DOCUMENTS

D. 83,437	2/1931	Goldberg	D9/415
D. 282,338	1/1986	Putt	D7/504
D. 306,696	3/1990	Futter	D9/415
D. 307,715	5/1990	Kindler	D9/415
D. 335,032	4/1993	Durkin, III .	
1,301,418	4/1919	Frost .	
1,690,883	11/1928	Ziegler .	
2,039,383	5/1936	Blumenstock .	



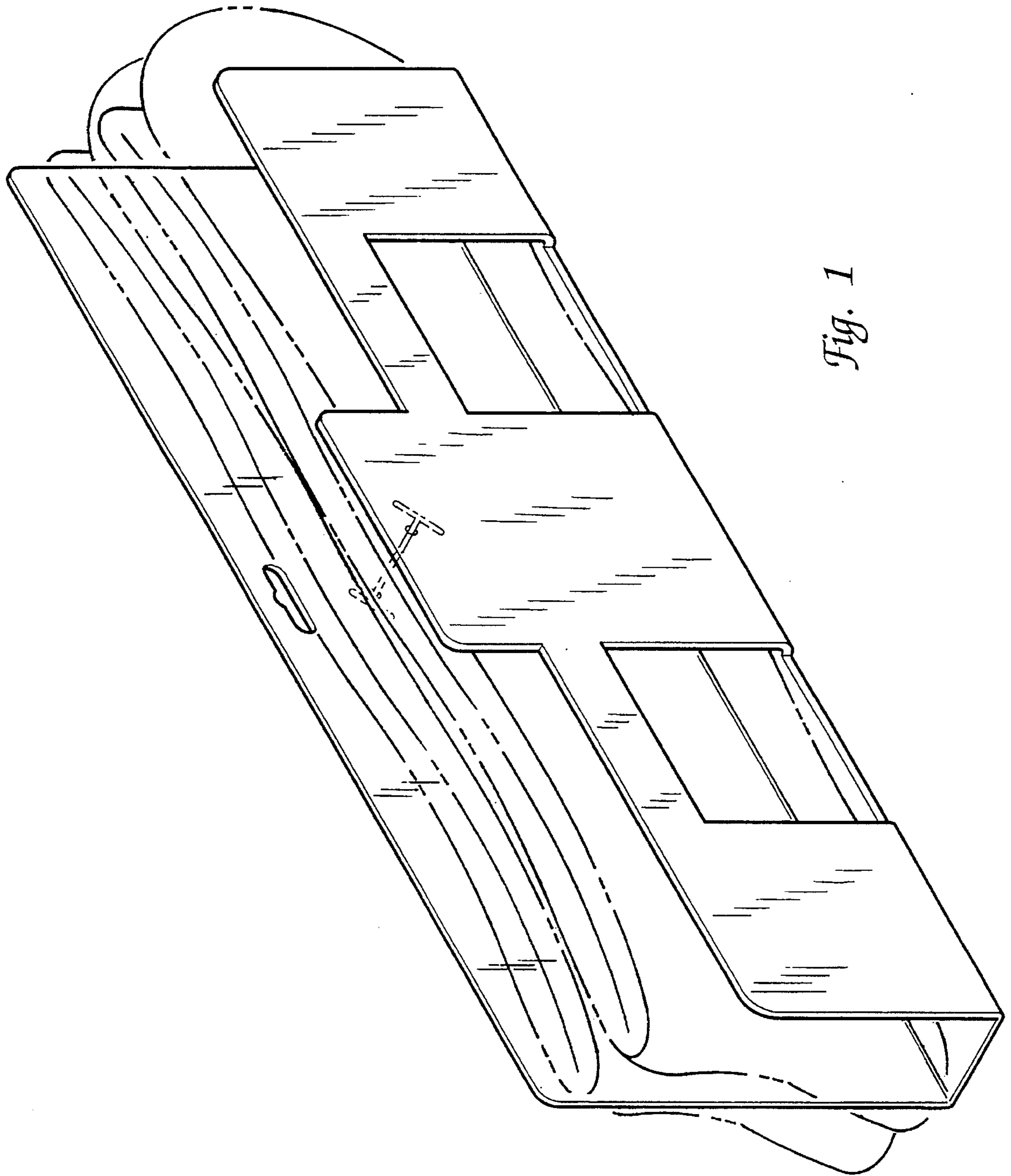


Fig. 1

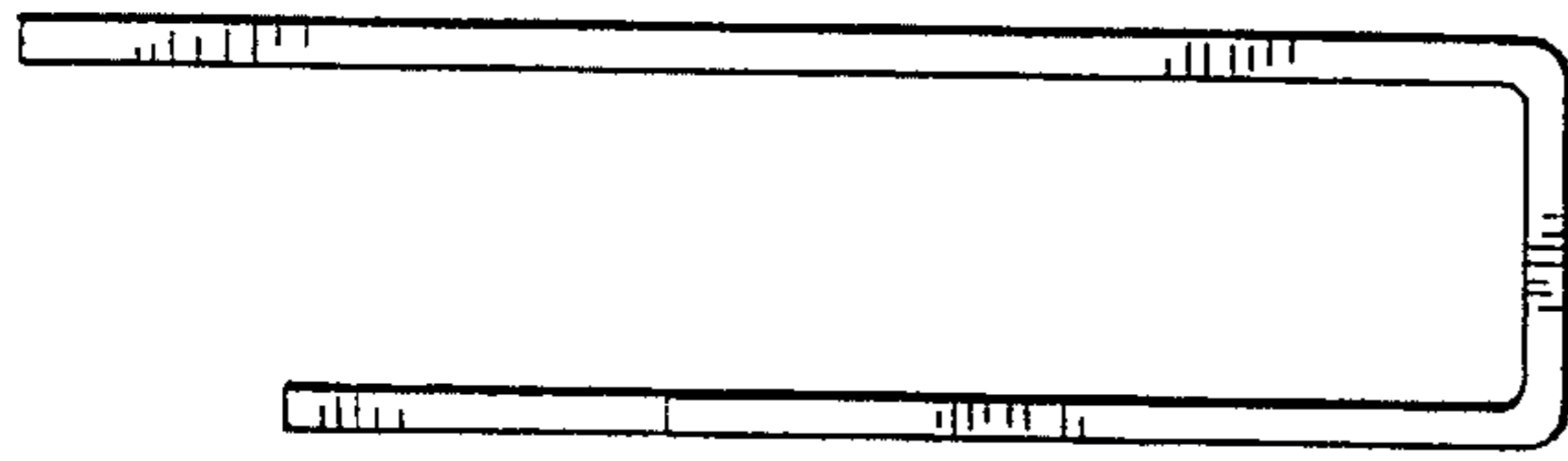


Fig. 5

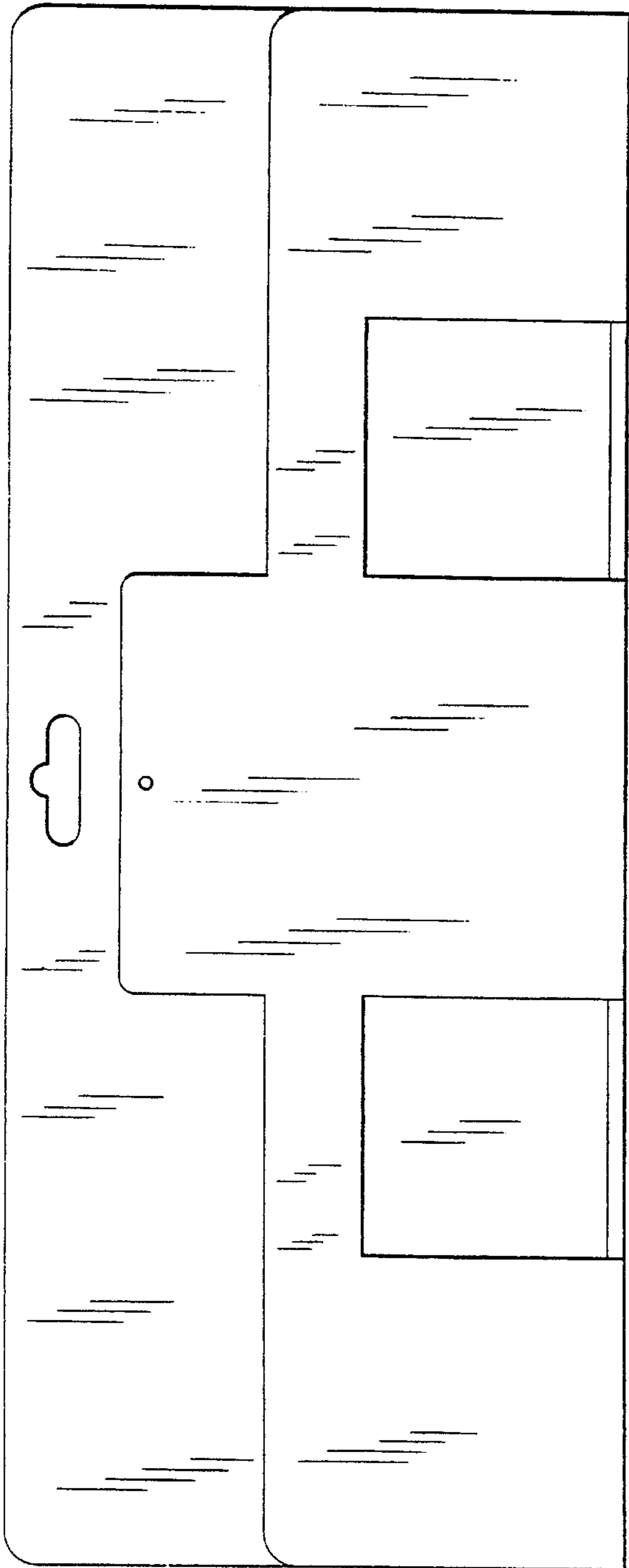


Fig. 2

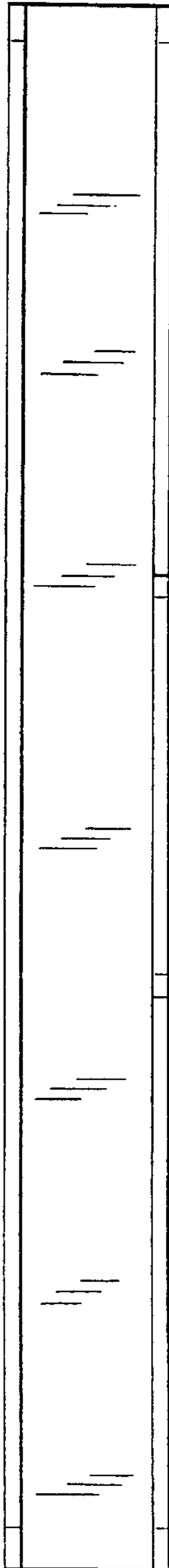


Fig. 3

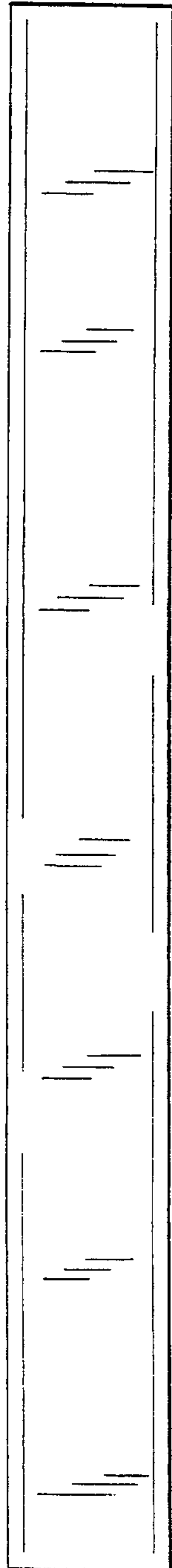


Fig. 4