



US00D371069S

United States Patent [19]

[11] Patent Number: **Des. 371,069**

Chapman et al.

[45] Date of Patent: ***** Jun. 25, 1996**

[54] **PACKAGED FLASH CAMERA**

[75] Inventors: **Steven S. Chapman**, Corfu; **Daniel C. Jackson**; **John K. McBride**, both of Rochester; **James G. Rydelek**, Henrietta; **Joseph E. Yokaity**, Rochester, all of N.Y.

[73] Assignee: **Eastman Kodak Company**, Rochester, N.Y.

[*] Notice: The portion of the term of this patent subsequent to Nov. 28, 2009, has been disclaimed.

[**] Term: **14 Years**

[21] Appl. No.: **30,003**

[22] Filed: **Oct. 20, 1994**

[52] U.S. Cl. **D9/337**; D9/415

[58] Field of Search D9/415, 418, 337, D9/432; 206/461-471, 316.1, 316.2; D16/208; D14/121

[56] **References Cited**

U.S. PATENT DOCUMENTS

- D. 227,229 6/1973 Funahashi D9/415
- D. 284,168 6/1986 Ewry D9/415
- D. 285,175 8/1986 Ewry D9/415

- D. 312,782 12/1990 Arai et al. D16/208 X
- D. 319,185 8/1991 Ferrero D9/415
- D. 344,532 2/1994 Takiguchi et al. D16/208
- 3,451,535 6/1969 Caplan 229/162 X
- 3,793,528 2/1974 Takeda 206/316.2 X
- 5,020,669 6/1991 Nakagoshi 206/466
- 5,292,003 3/1994 Baghdassarian 206/471 X

OTHER PUBLICATIONS

Modern Packaging, 1941, p. 300.

Primary Examiner—Prabhakar G. Deshmukh
Attorney, Agent, or Firm—Roger A. Fields

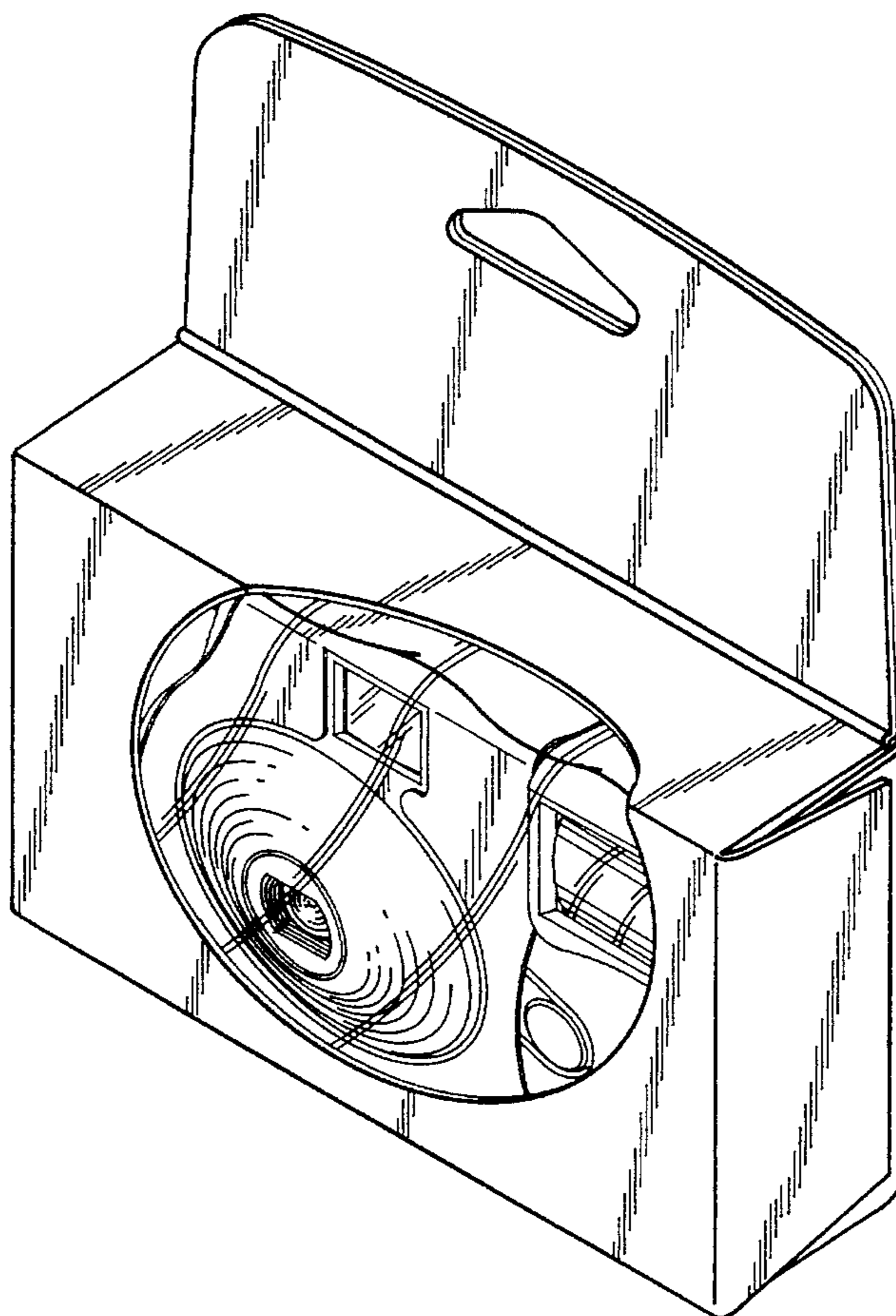
[57] **CLAIM**

The ornamental design for a packaged flash camera, as shown.

DESCRIPTION

FIG. 1 is a front, top, right-side perspective view of a packaged flash camera, showing our new design; FIG. 2 is a rear, bottom, left-side perspective view thereof; FIG. 3 is a front elevation view thereof; FIG. 4 is a rear elevation view thereof; FIG. 5 is a left-side elevation view thereof; FIG. 6 is a right-side elevation view thereof; FIG. 7 is a top plan view thereof; and, FIG. 8 is a bottom plan view thereof.

1 Claim, 8 Drawing Sheets



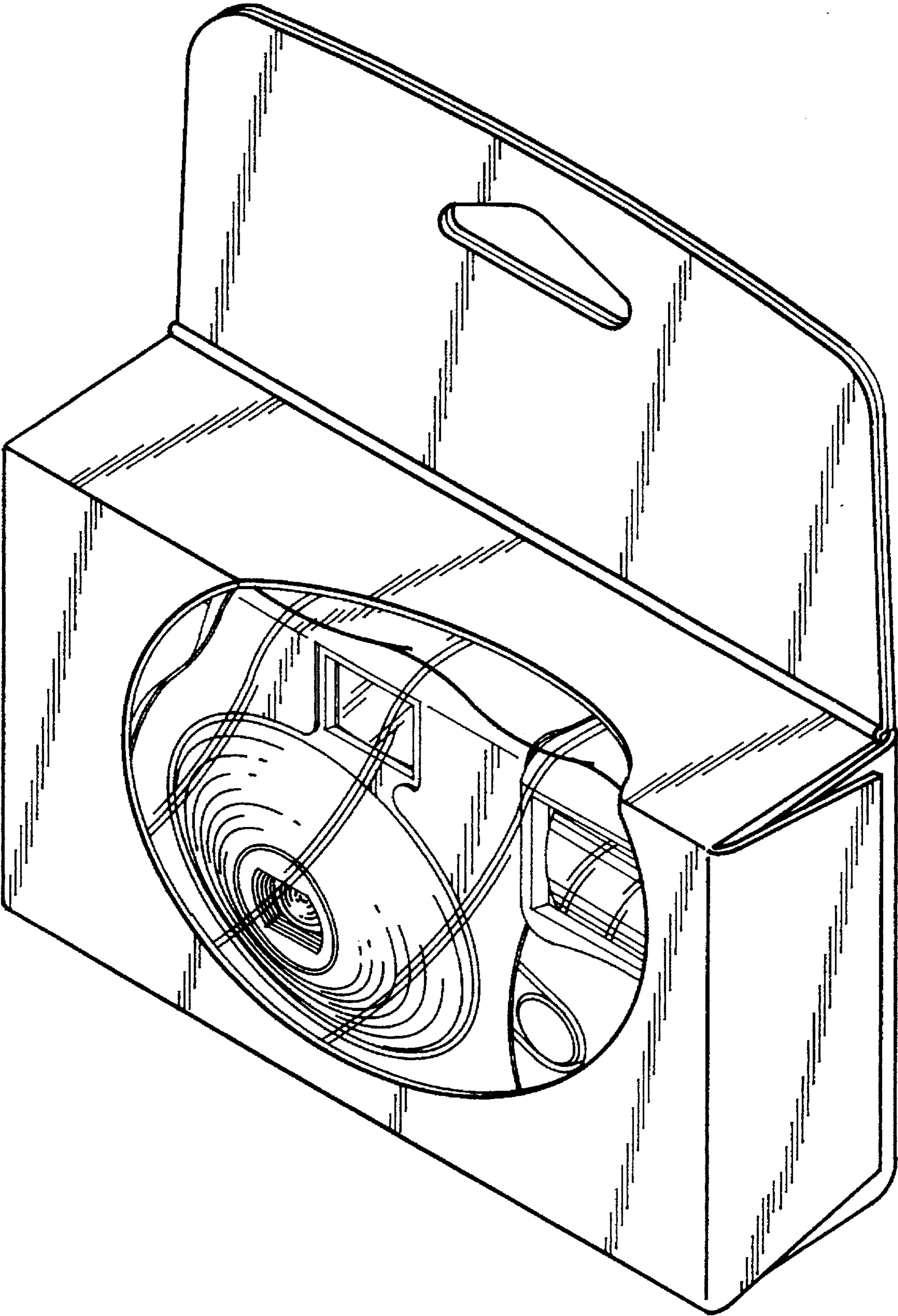


FIG. 1

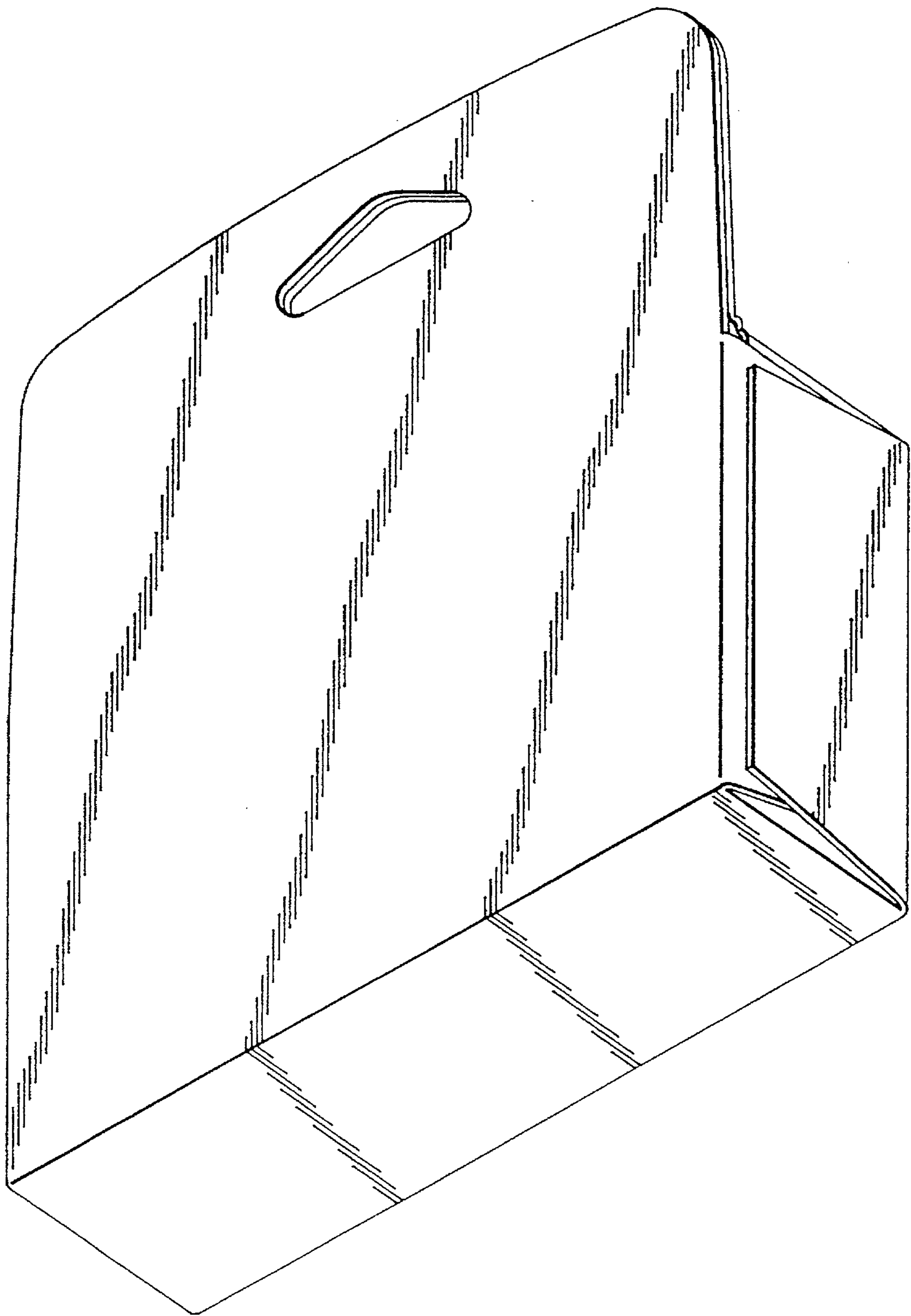


FIG. 2

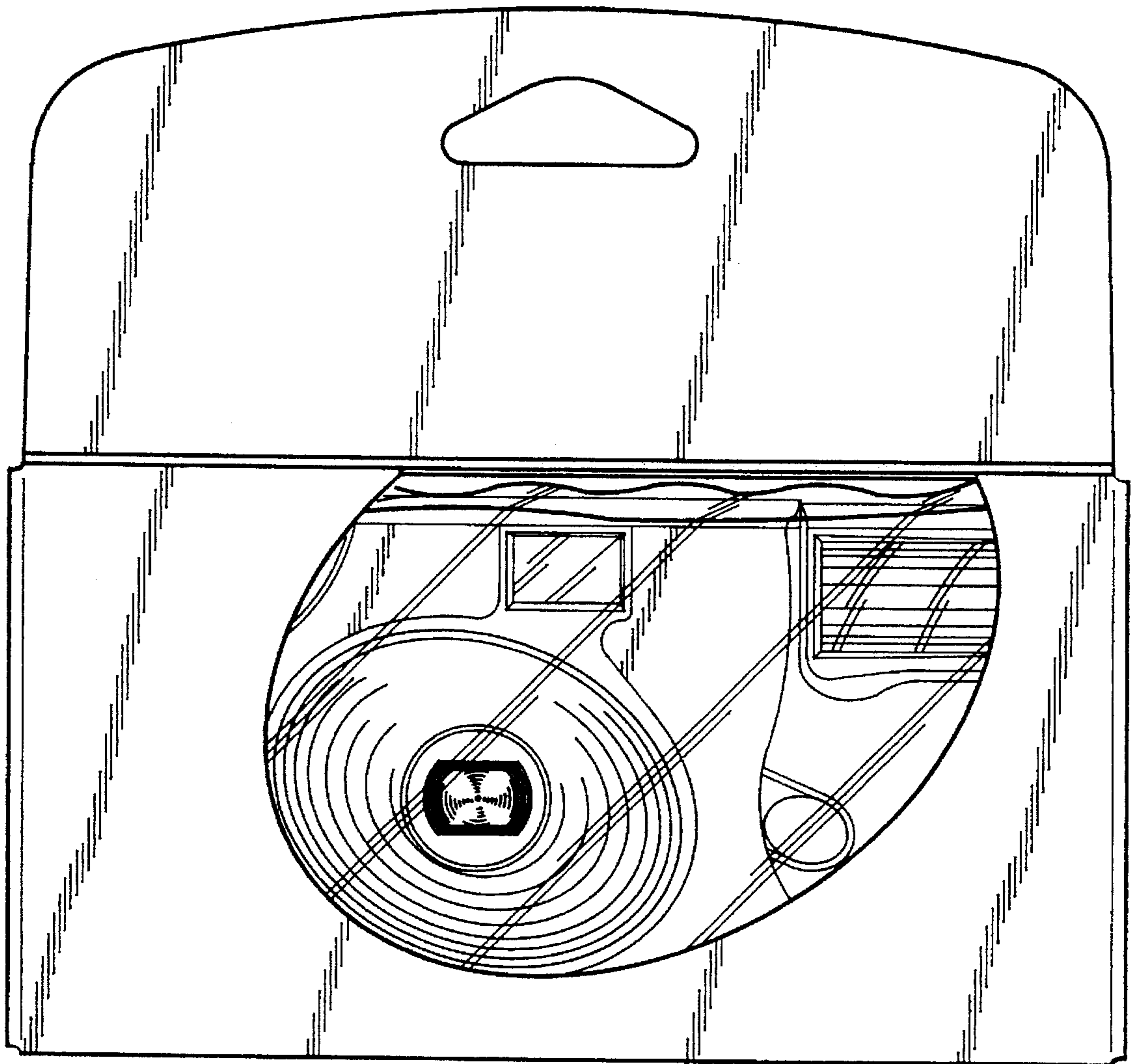


FIG. 3

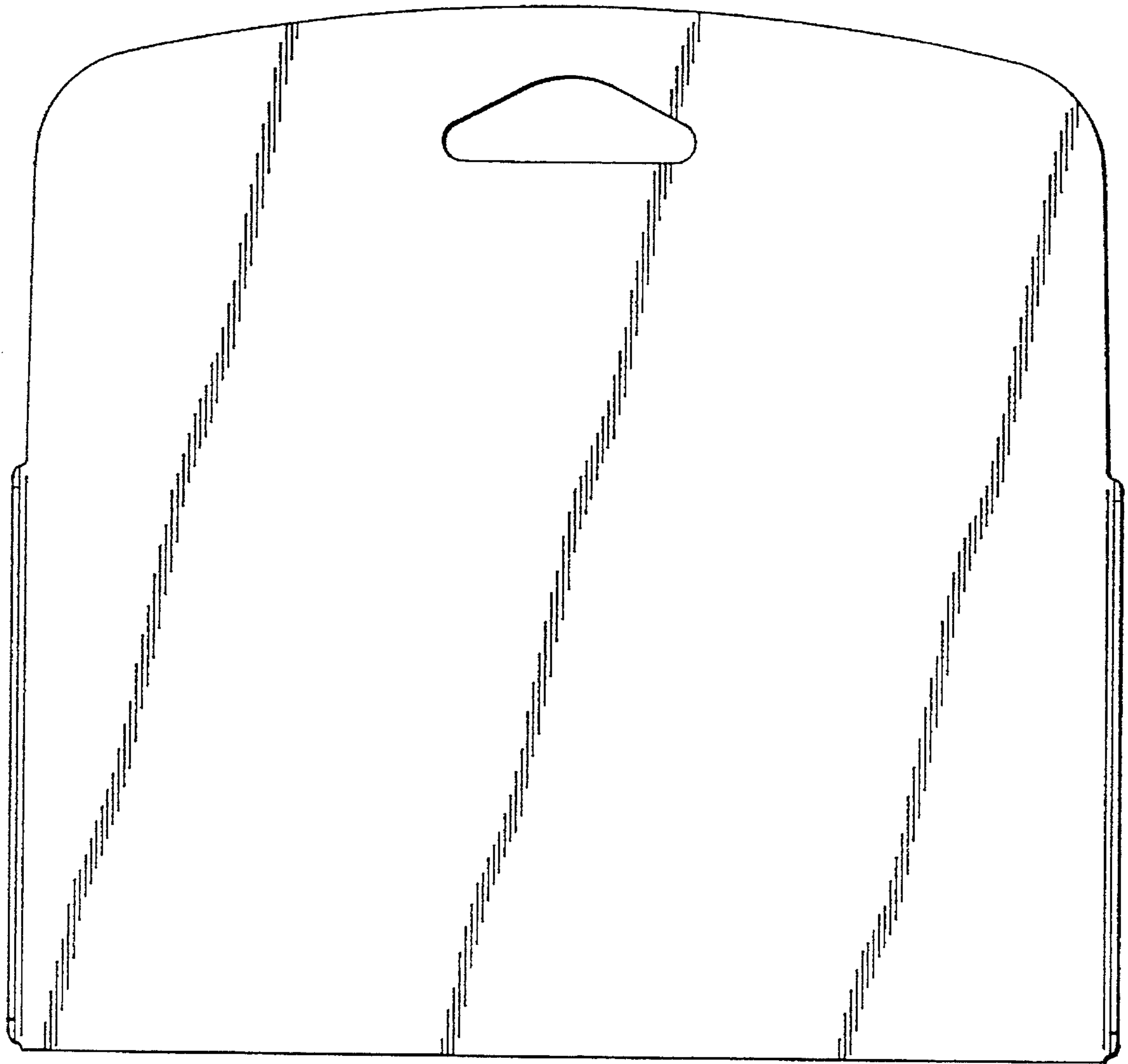


FIG. 4

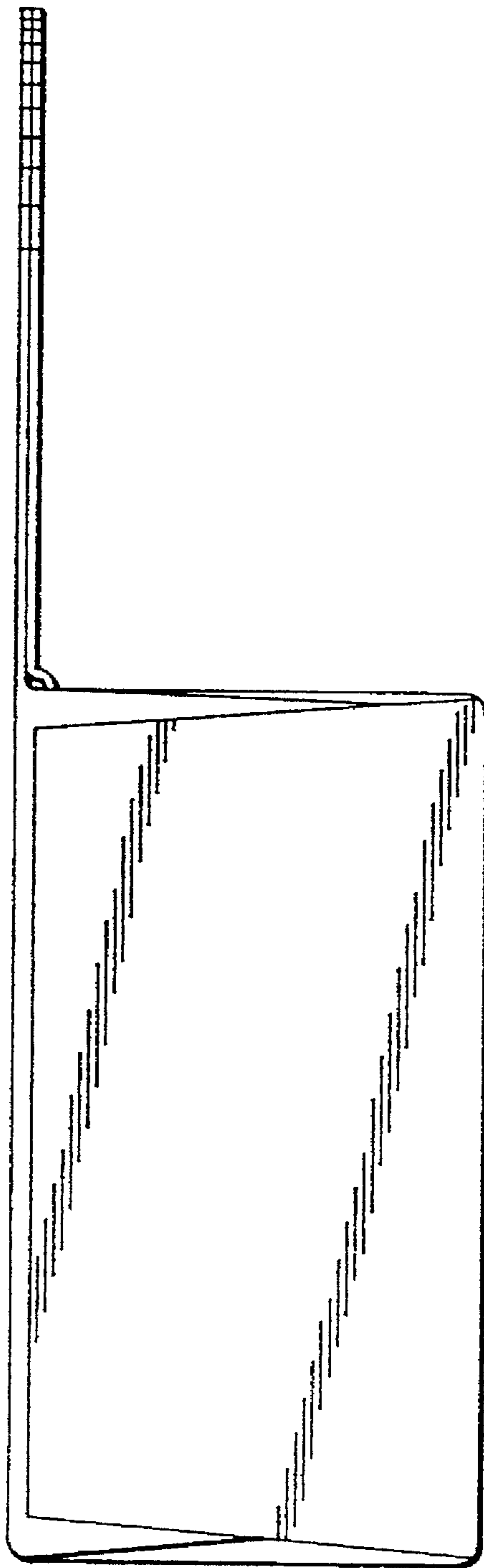


FIG. 5

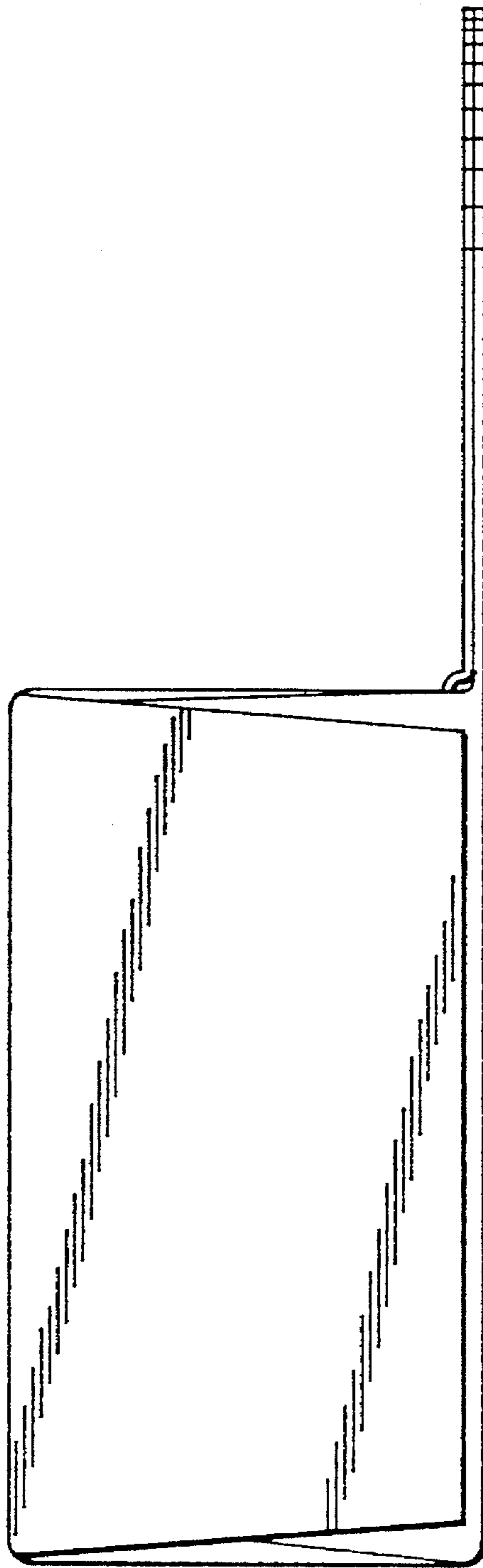


FIG. 6

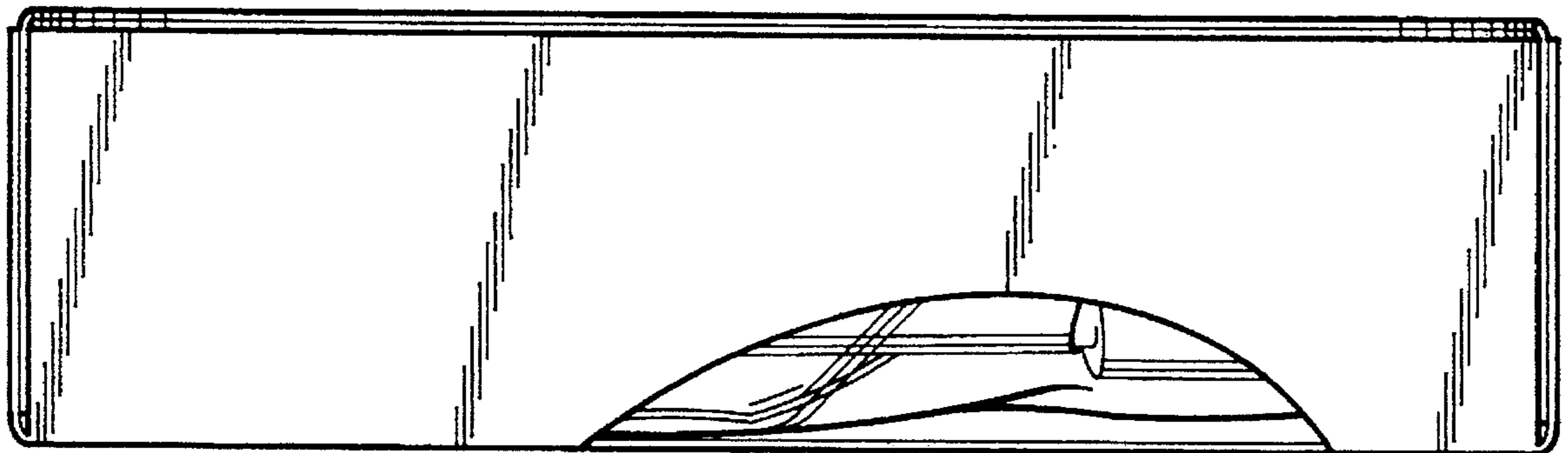


FIG. 7

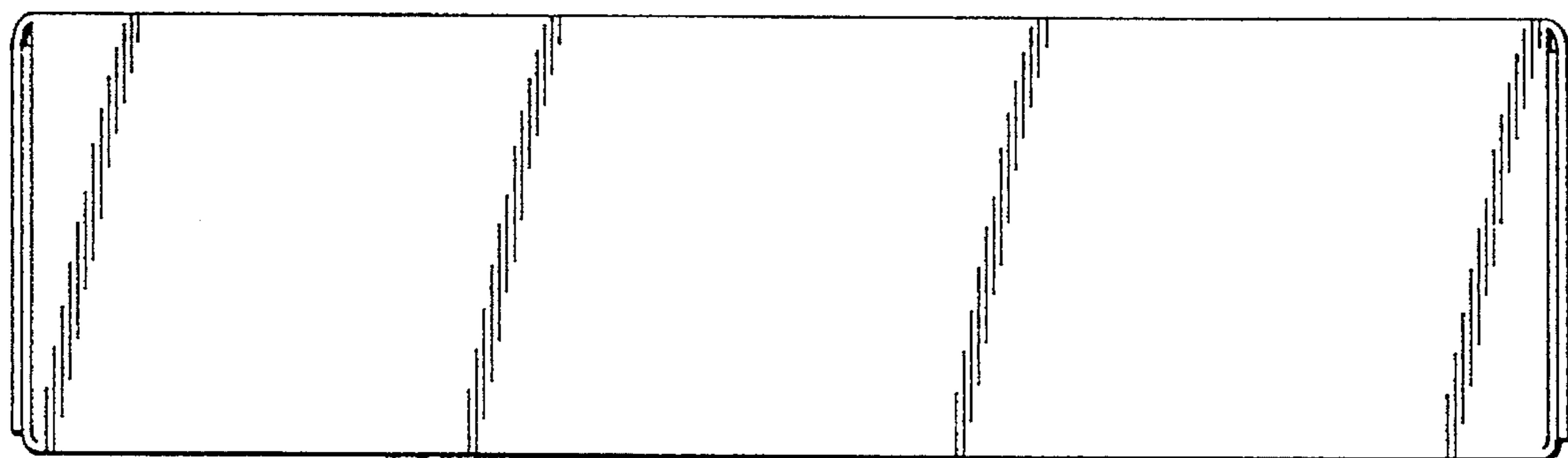


FIG. 8