



US00D371065S

United States Patent [19]

Shinano et al.

[11] Patent Number: **Des. 371,065**

[45] Date of Patent: ****Jun. 25, 1996**

[54] **WALL HANGING STAND FOR IMAGE DISPLAY DEVICE**

[75] Inventors: **Toru Shinano**, Yokohama; **Akihiro Taketsuna**, Minoo; **Kenji Yokoo**, Osaka, all of Japan

[73] Assignees: **Canon Kabushiki Kaisha**, Tokyo; **Kokuyo Kabushiki Kaisha**, Osaka, both of Japan

[**] Term: **14 Years**

[21] Appl. No.: **38,723**

[22] Filed: **May 12, 1995**

[30] **Foreign Application Priority Data**

Nov. 14, 1994 [JP] Japan 6-34669

[52] U.S. Cl. **D8/373**

[58] Field of Search D6/567, 553; D8/354, D8/373, 380; 248/670, 220.2, 235, 241, 274, 284, 281.1, 291, 310; 211/96, 100

[56] **References Cited**

U.S. PATENT DOCUMENTS

D. 320,928 10/1991 Boscacci et al. D6/567 X

D. 337,719	7/1993	Burns	D8/363
D. 352,652	11/1994	Vogels	D8/363
D. 359,035	6/1995	Shinano	D14/113
3,916,627	11/1975	Carlisle et al.	248/310 X
4,659,047	4/1987	Haller	248/310 X

Primary Examiner—Brian N. Vinson
Attorney, Agent, or Firm—Fitzpatrick, Cella, Harper & Scinto

[57] **CLAIM**

The ornamental design for a wall hanging stand for image display device, as shown and described.

DESCRIPTION

FIG. 1 is a front elevational view of a wall hanging stand for image display device showing our new design;
FIG. 2 is a rear elevational view thereof;
FIG. 3 is a top plan view thereof;
FIG. 4 is a bottom plan view thereof;
FIG. 5 is a left side elevational view thereof;
FIG. 6 is a right side elevational view thereof; and,
FIG. 7 is a perspective view thereof.

1 Claim, 4 Drawing Sheets

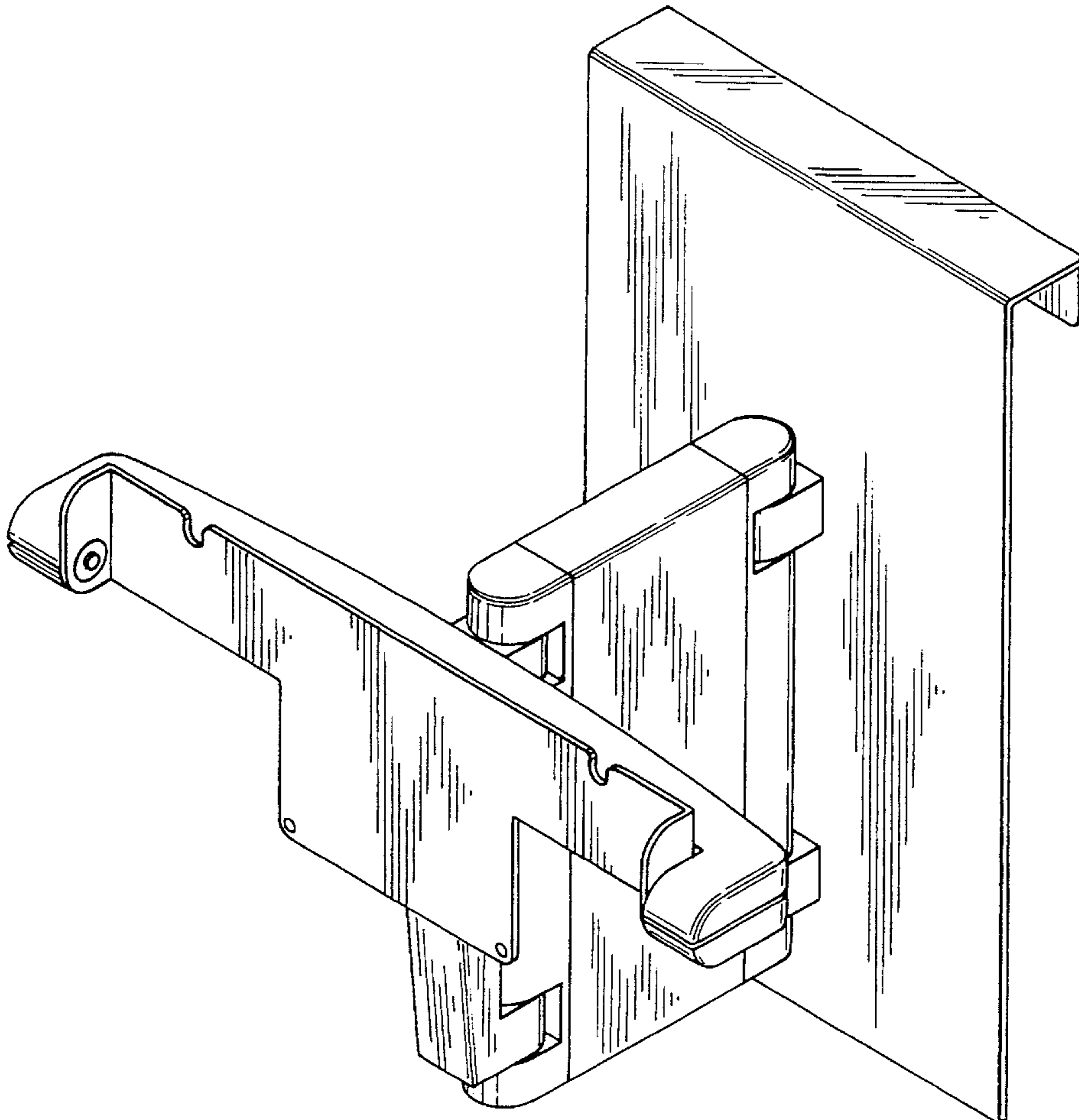


FIG. 2

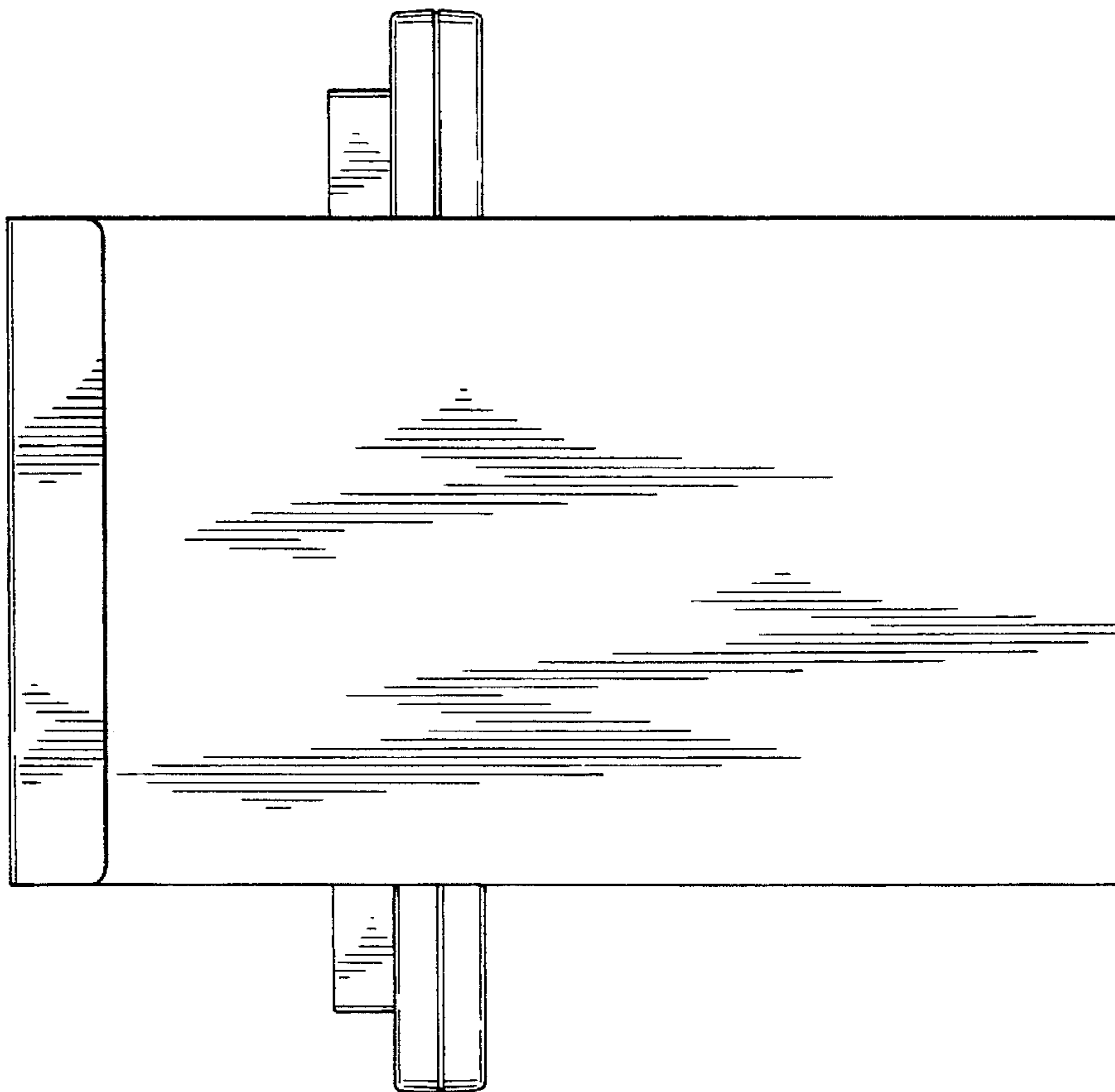


FIG. 1

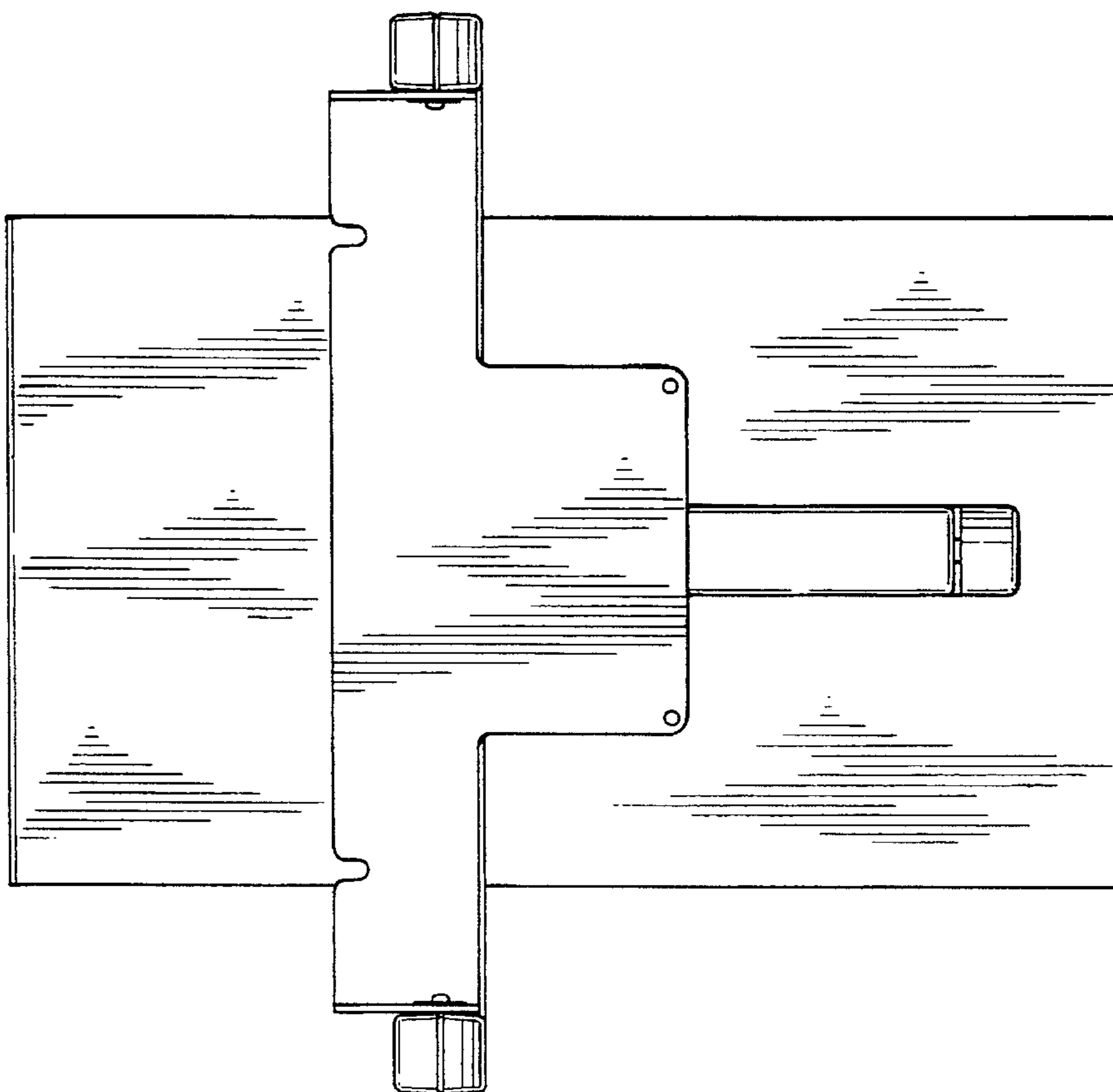


FIG. 3

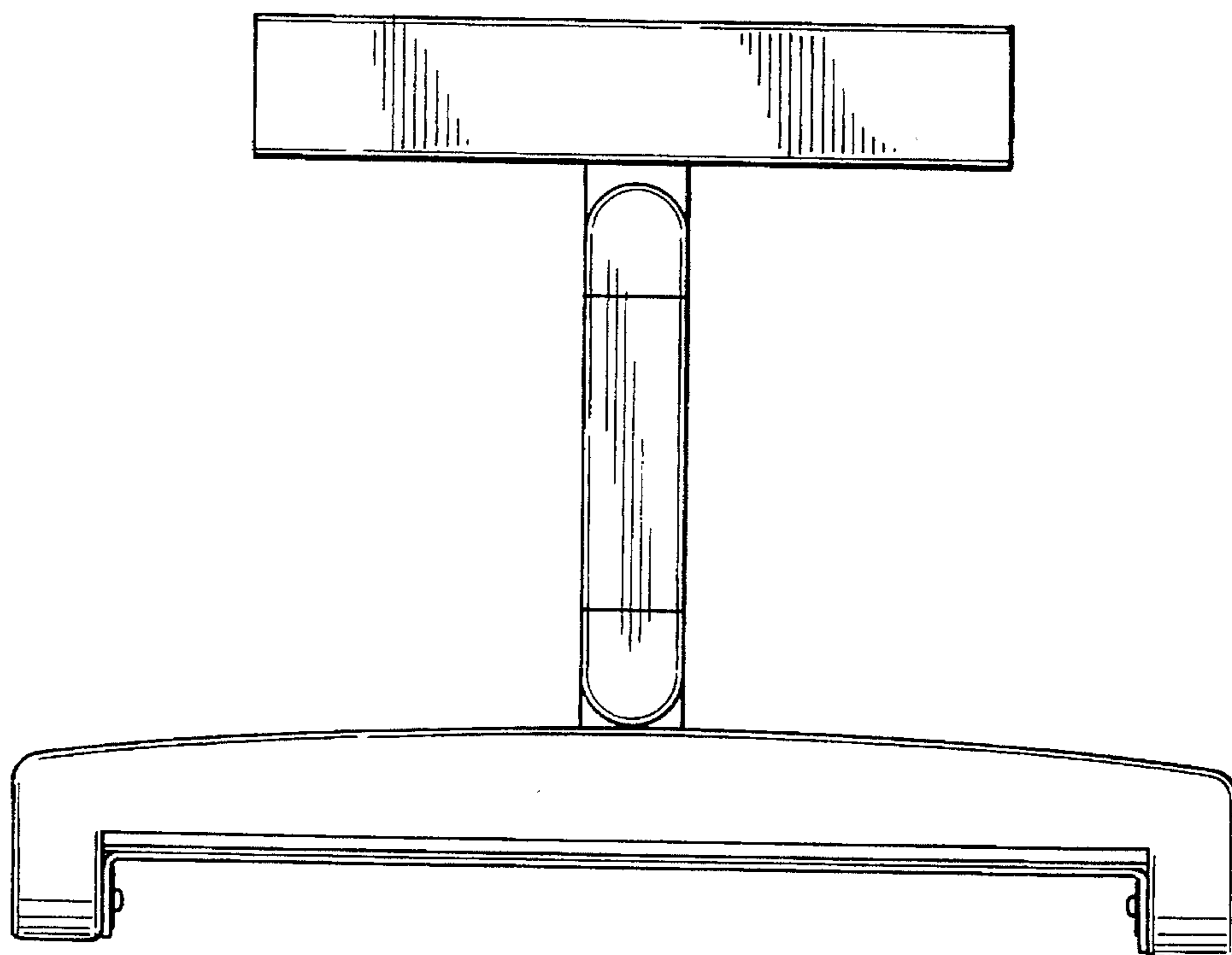


FIG. 4

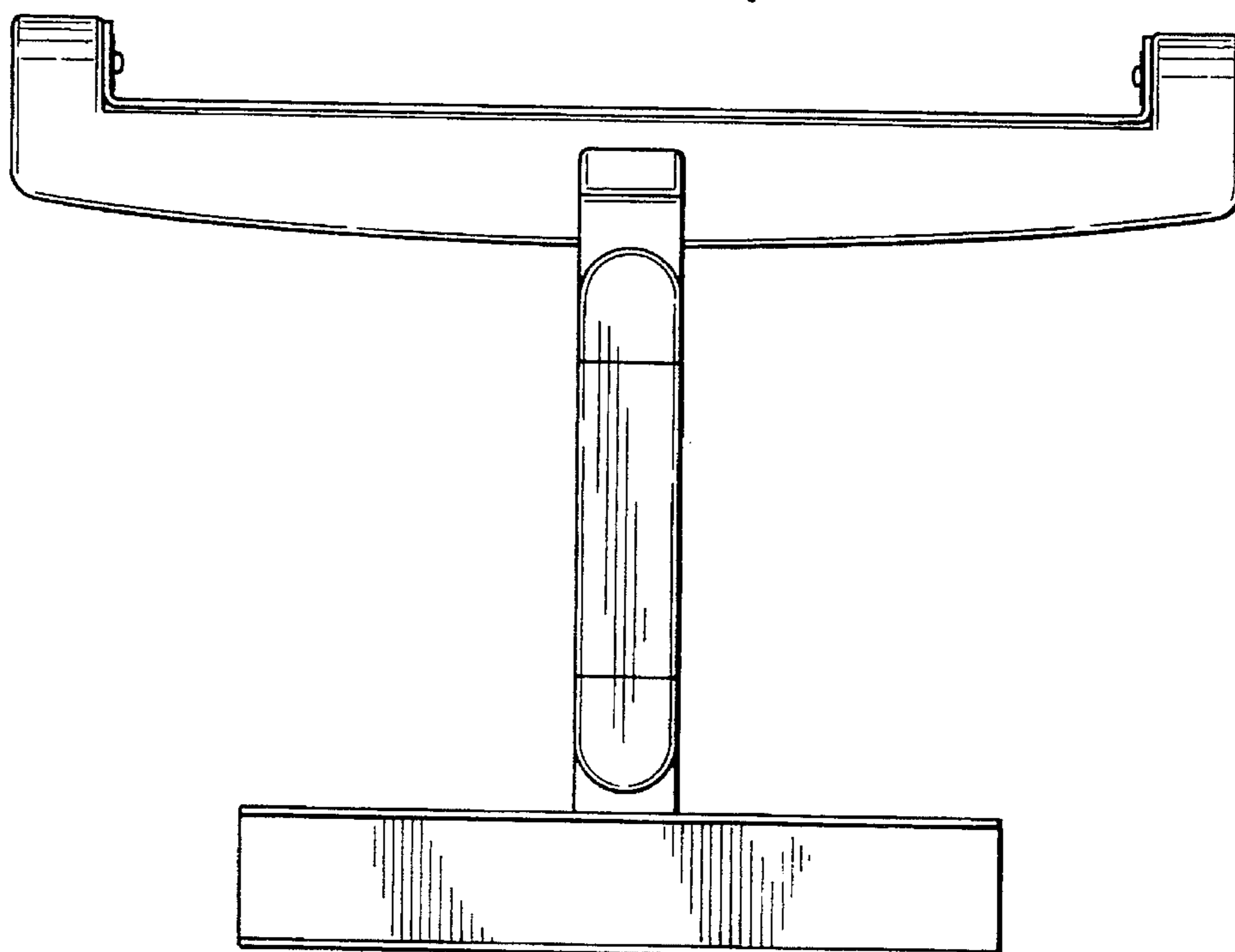


FIG. 6

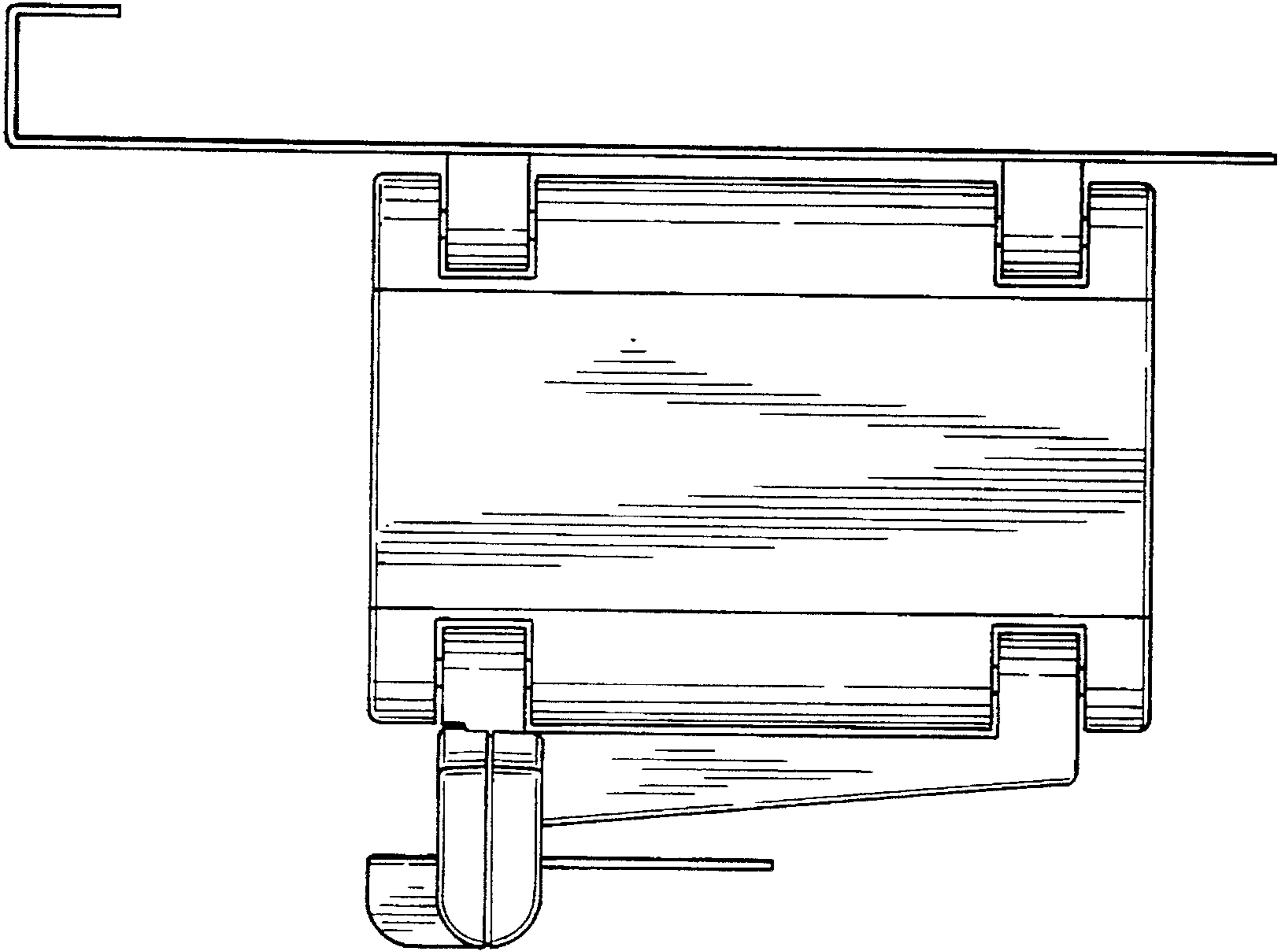


FIG. 5

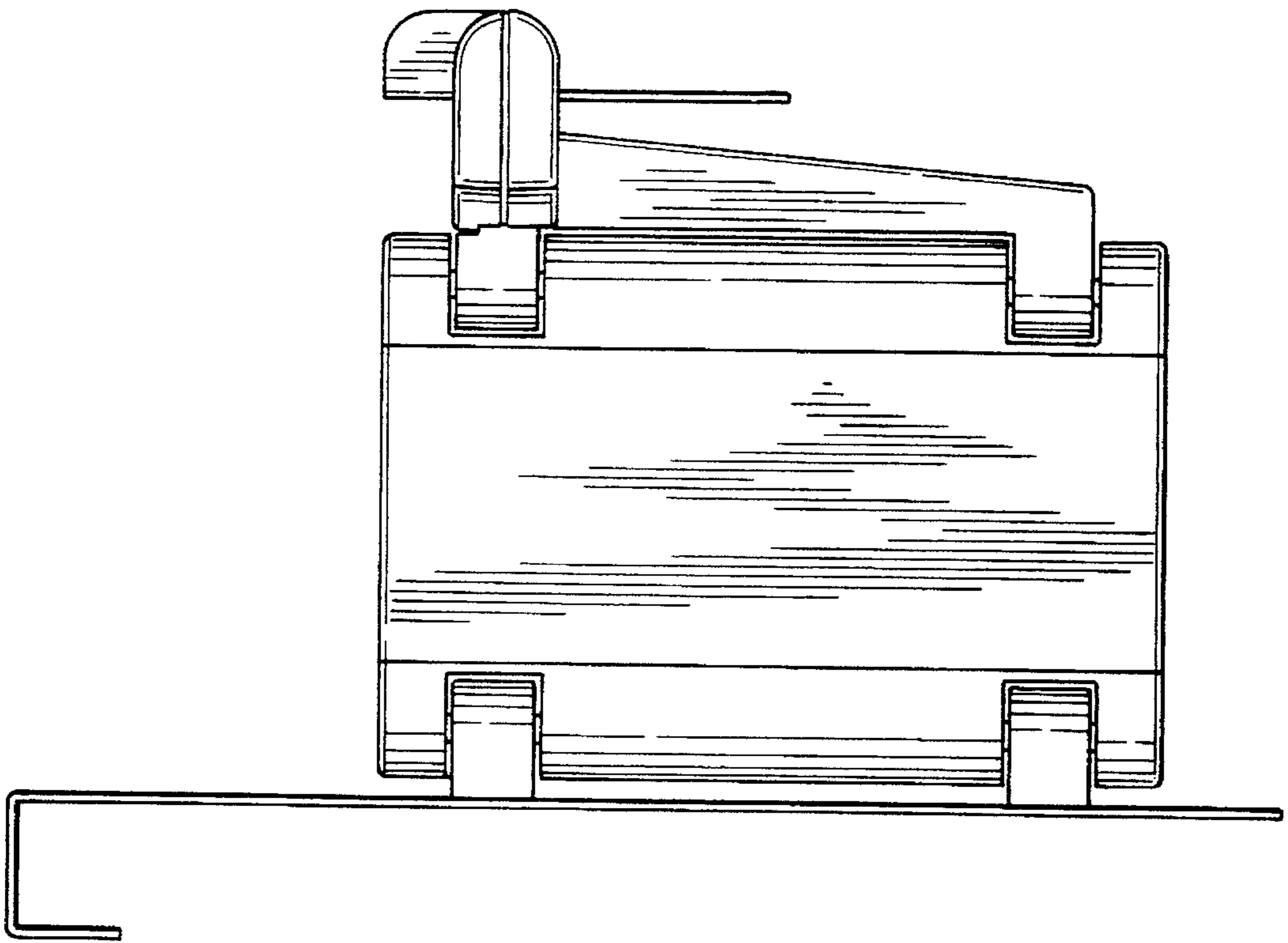


FIG. 7

