



US00D371063S

United States Patent [19]

Barkan

[11] Patent Number: **Des. 371,063**

[45] Date of Patent: ****Jun. 25, 1996**

[54] **WALL FIXTURE FOR SUPPORTING TELEVISION SETS**

[76] Inventor: **Lior Barkan**, 18 Hassadna Street, Holon 58815, Israel

[**] Term: **14 Years**

[21] Appl. No.: **35,302**

[22] Filed: **Feb. 24, 1995**

[30] Foreign Application Priority Data

Dec. 23, 1994 [IL] Israel 23711

[52] U.S. Cl. **D8/363; D6/567**

[58] Field of Search D8/373, 363; D14/224, D14/238, 114; D6/567, 553, 574; 248/310, 670, 284.1, 280.1, 281.1

[56] References Cited

U.S. PATENT DOCUMENTS

D. 325,868 5/1992 Bartok D8/380

D. 337,719 7/1993 Burns D8/363
D. 349,640 8/1994 Whitaker D8/363
D. 352,652 11/1994 Vogels D8/363
D. 357,406 4/1995 Whitaker D8/380

Primary Examiner—A. Hugo Word
Assistant Examiner—Holly Baynham
Attorney, Agent, or Firm—Gary M. Nath; Nath & Associates; Anthony D. Miller

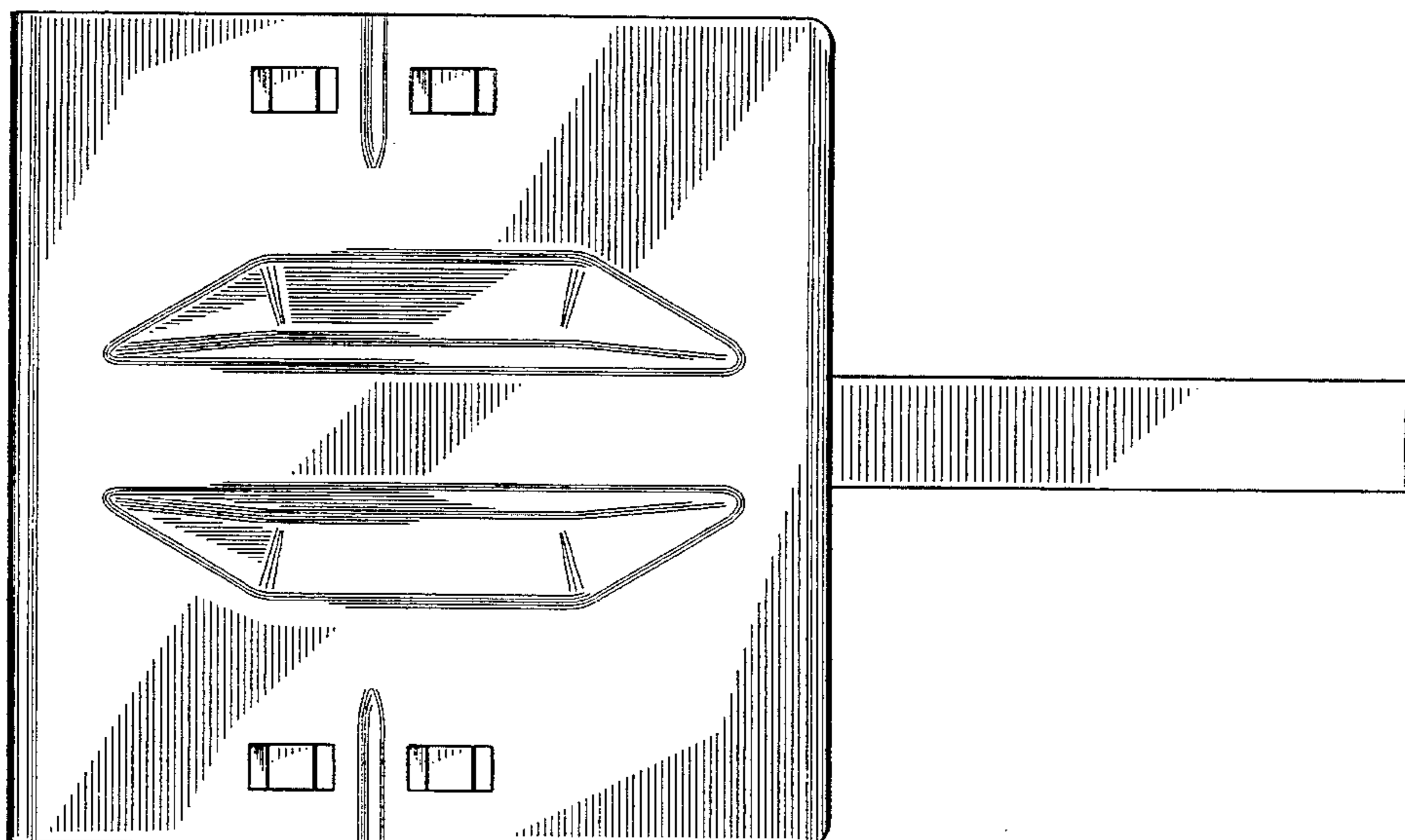
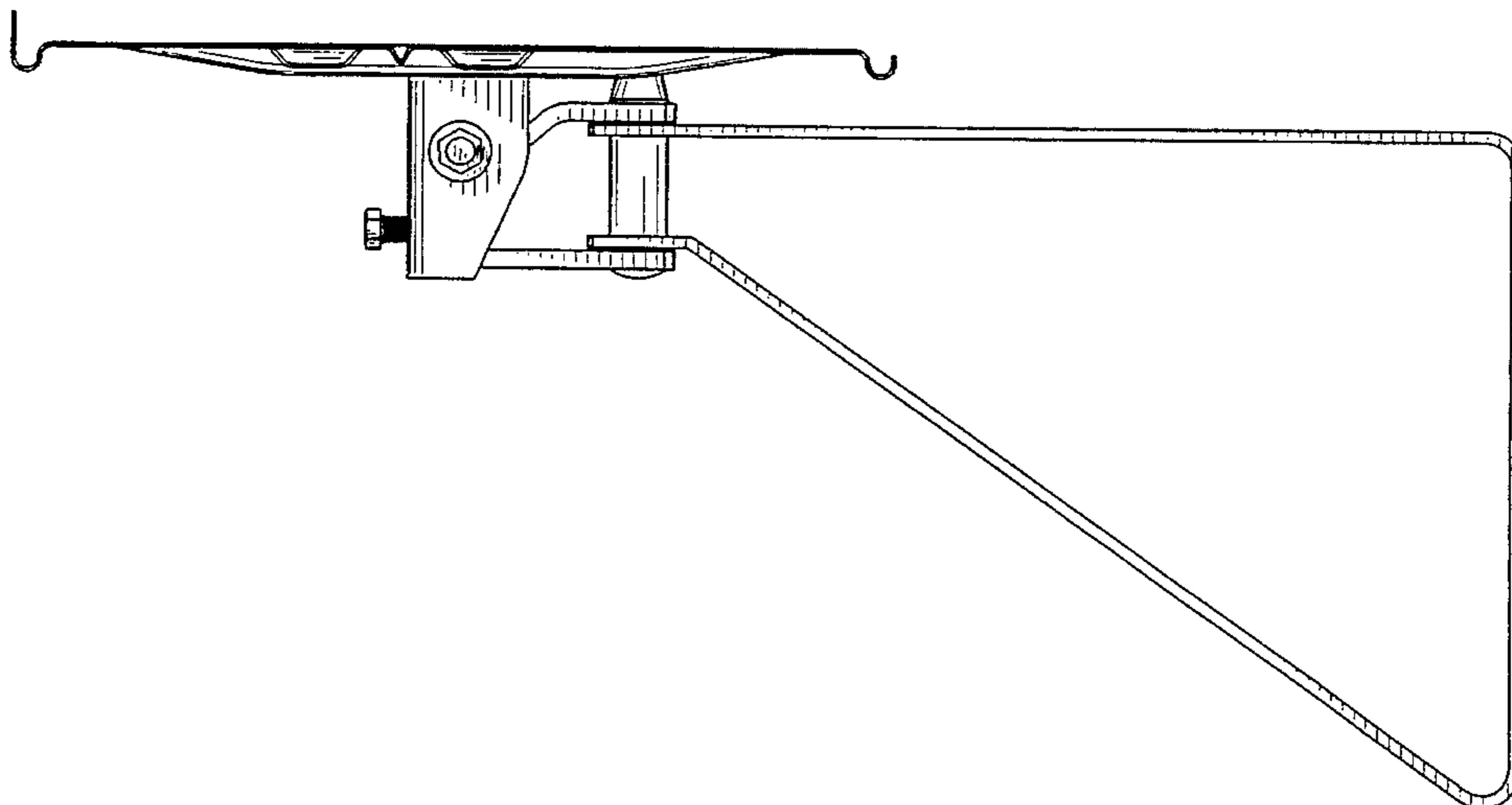
[57] CLAIM

The ornamental design for a wall fixture for supporting television sets.

DESCRIPTION

FIG. 1 is a side view of a design;
FIG. 2 is another side view of the design;
FIG. 3 is a front view of the design;
FIG. 4 is a rear view of the design;
FIG. 5 is a top view of the design; and,
FIG. 6 is a bottom view of the design.

1 Claim, 5 Drawing Sheets



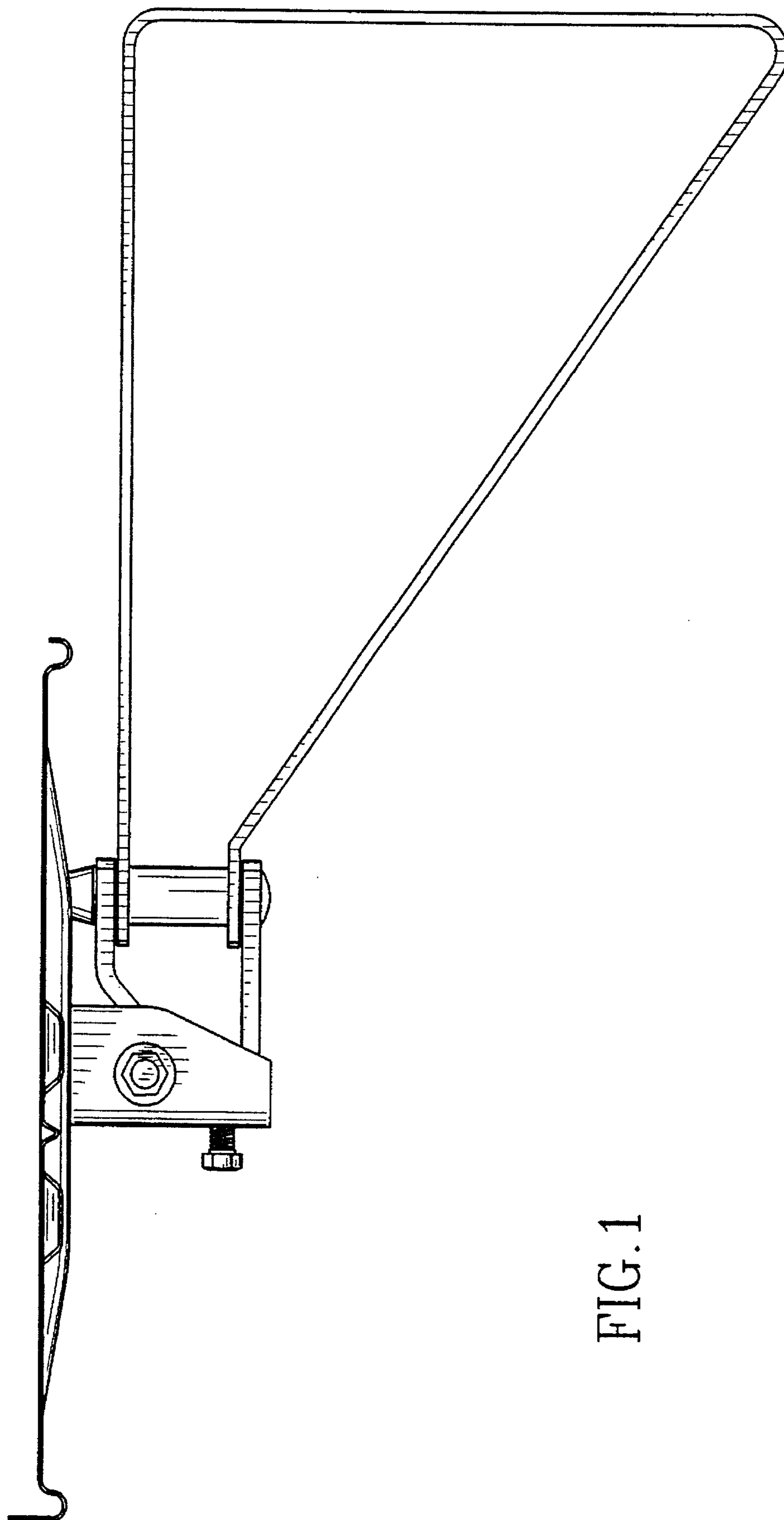


FIG. 1

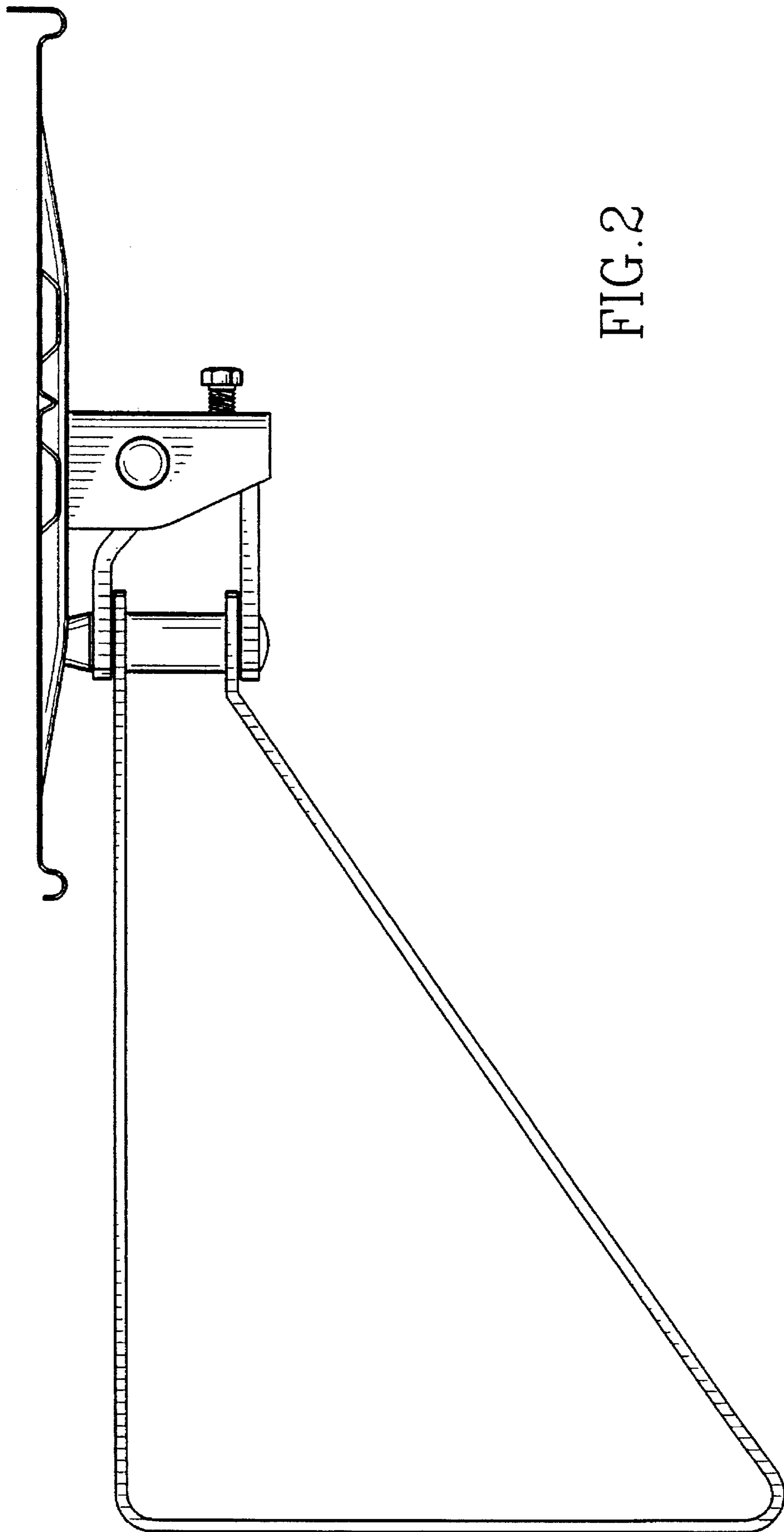
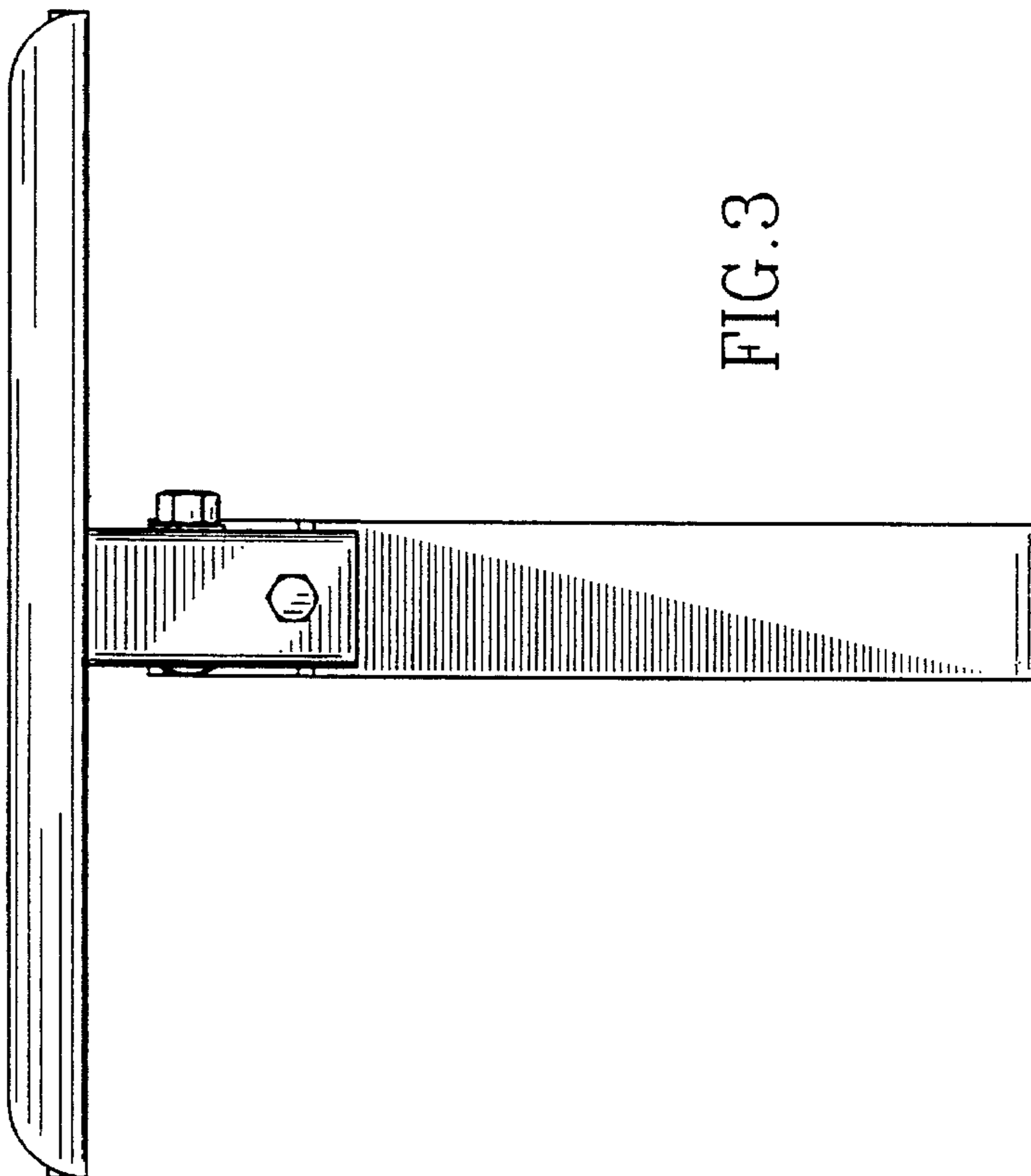
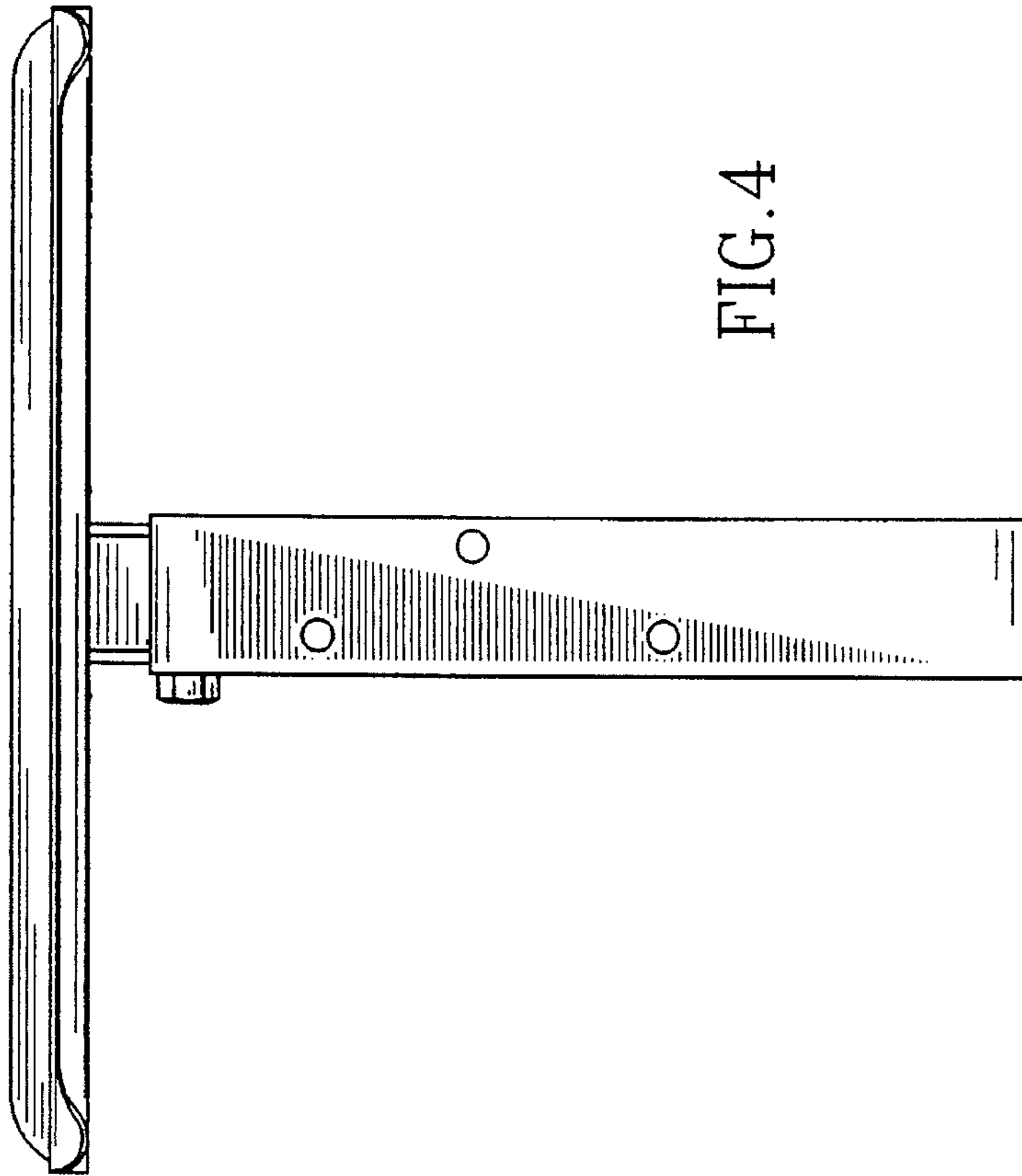


FIG. 2



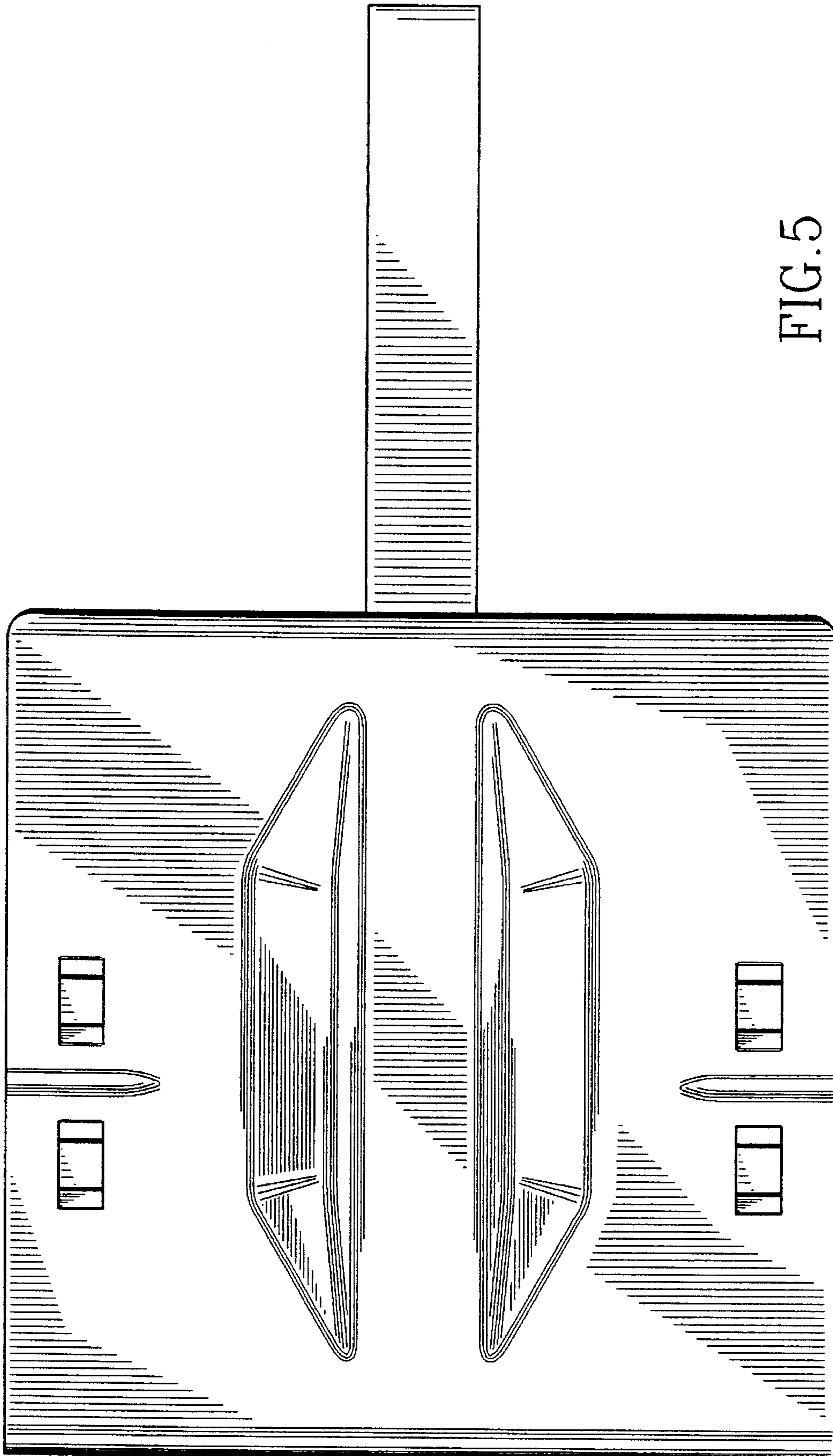


FIG. 5

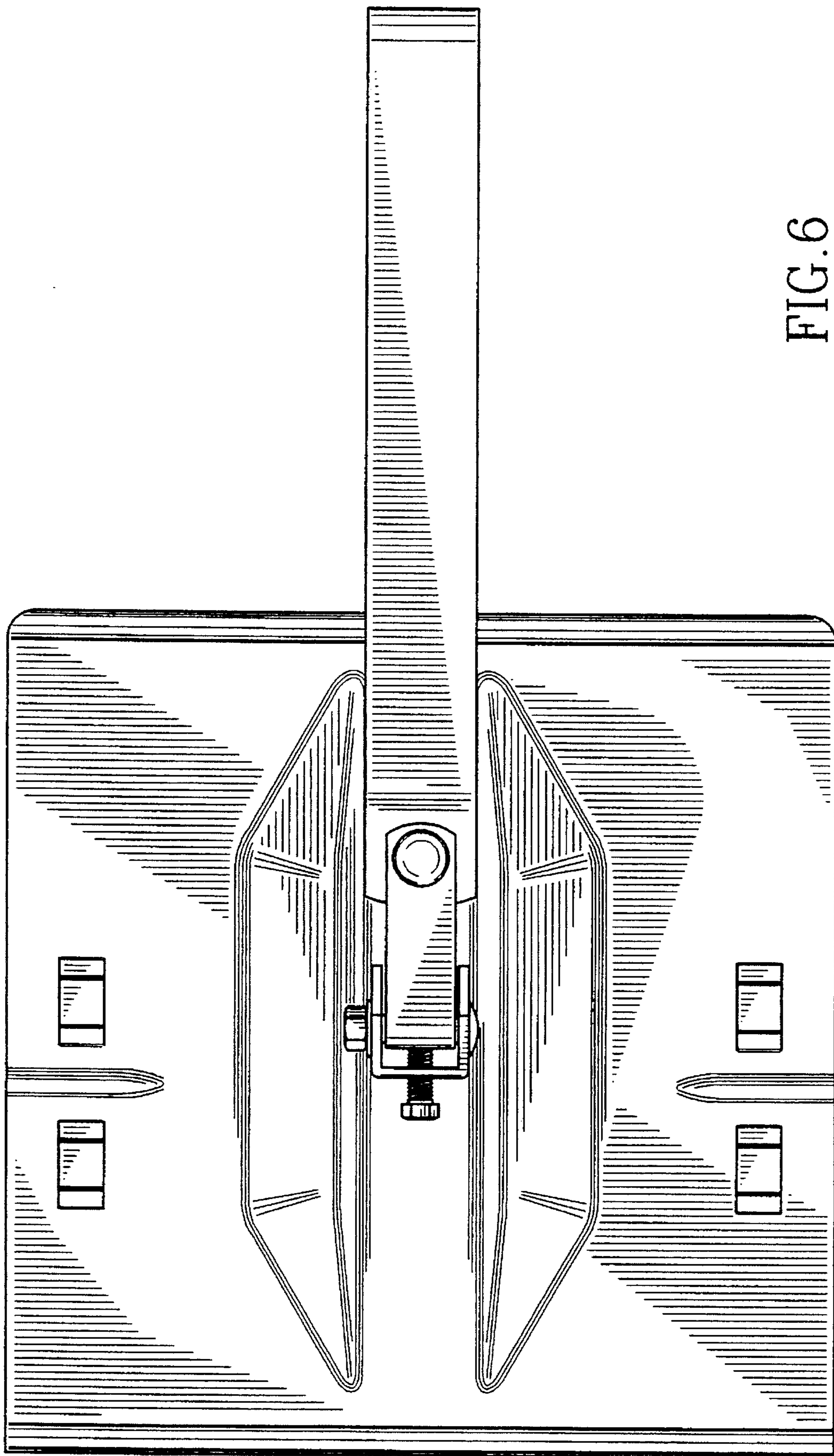


FIG. 6