



US00D371056S

United States Patent [19]

Sullivan

[11] Patent Number: **Des. 371,056**

[45] Date of Patent: ****Jun. 25, 1996**

[54] **PORTABLE FOOD CARRYING CONTAINER**

4,570,800 2/1986 Lockett 206/545
5,259,506 11/1993 Pascale et al. 206/545

[76] Inventor: **James F. Sullivan**, 859 Ave. C,
Langhorne, Pa. 19047

Primary Examiner—Terry A. Wallace
Attorney, Agent, or Firm—John D. Gugliotta

[**] Term: **14 Years**

[57] CLAIM

[21] Appl. No.: **44,896**

The ornamental design for a portable food carrying container, as shown and described.

[22] Filed: **Oct. 3, 1995**

[52] U.S. Cl. **D7/709**; D7/605

[58] Field of Search D7/709, 605-608;
D3/273, 276, 283, 294; 62/457.1, 457.7;
206/216, 223, 541-549

DESCRIPTION

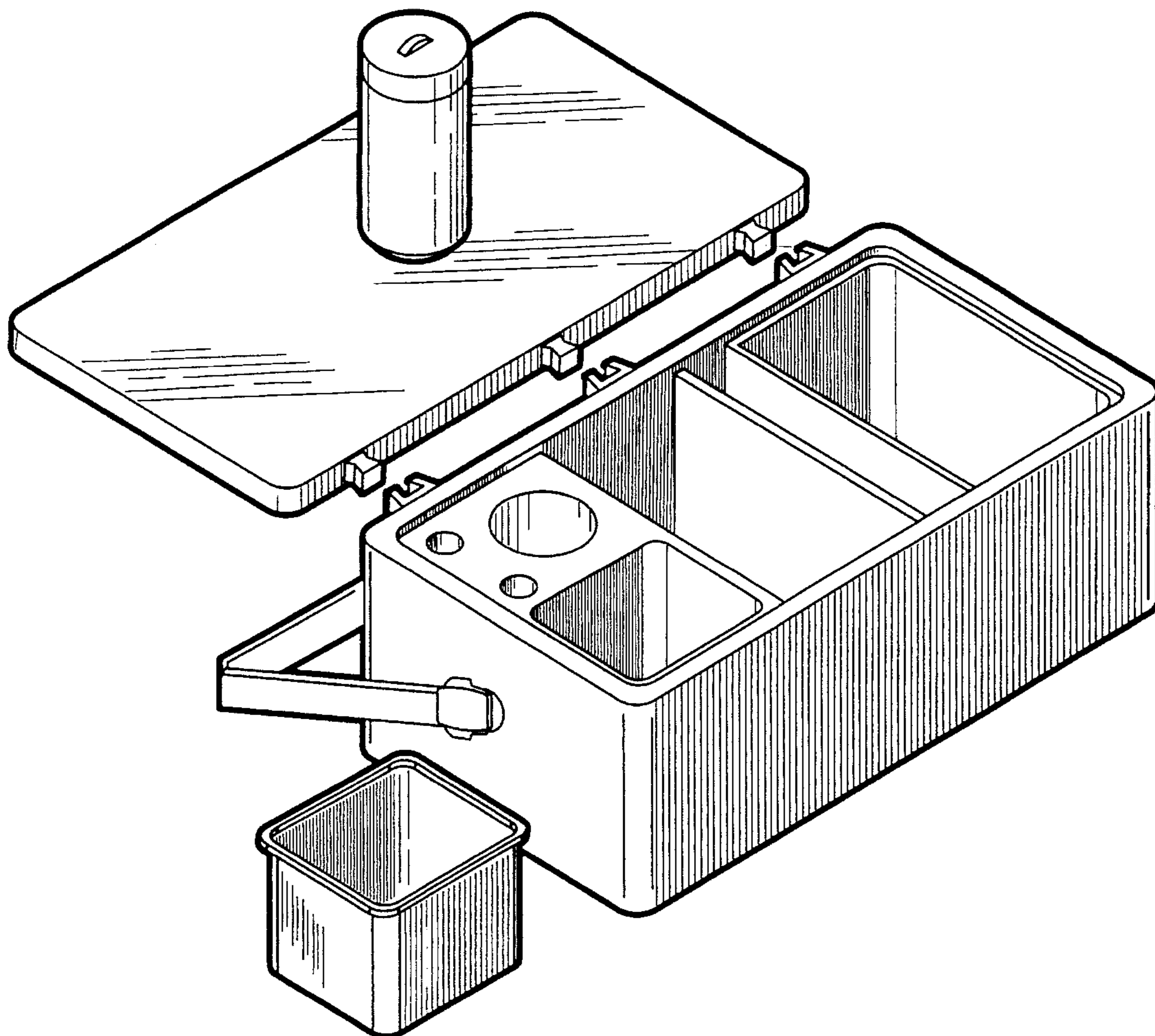
[56] References Cited

U.S. PATENT DOCUMENTS

D. 239,249	3/1976	Branscum	D7/605
D. 259,167	5/1981	Daenen	.	
D. 284,254	6/1986	Carlson	.	
D. 302,904	8/1989	Dunkeld Jr.	D7/709
D. 307,853	5/1990	Tyberg	D7/626
D. 363,648	10/1995	O'Brien	D7/605
3,734,336	5/1973	Rankow et al.	.	

FIG. 1 is a top and side exploded perspective view of a portable food carrying container showing my new design; FIG. 2 is a front elevational view with lid structure in a closed position thereof; FIG. 3 is a rear elevational view thereof; FIG. 4 is a right side elevational view thereof, the left side elevational view being a mirror image; FIG. 5 is a top plan view thereof with lid structure in an open position; and, FIG. 6 is a bottom plan view thereof.

1 Claim, 3 Drawing Sheets



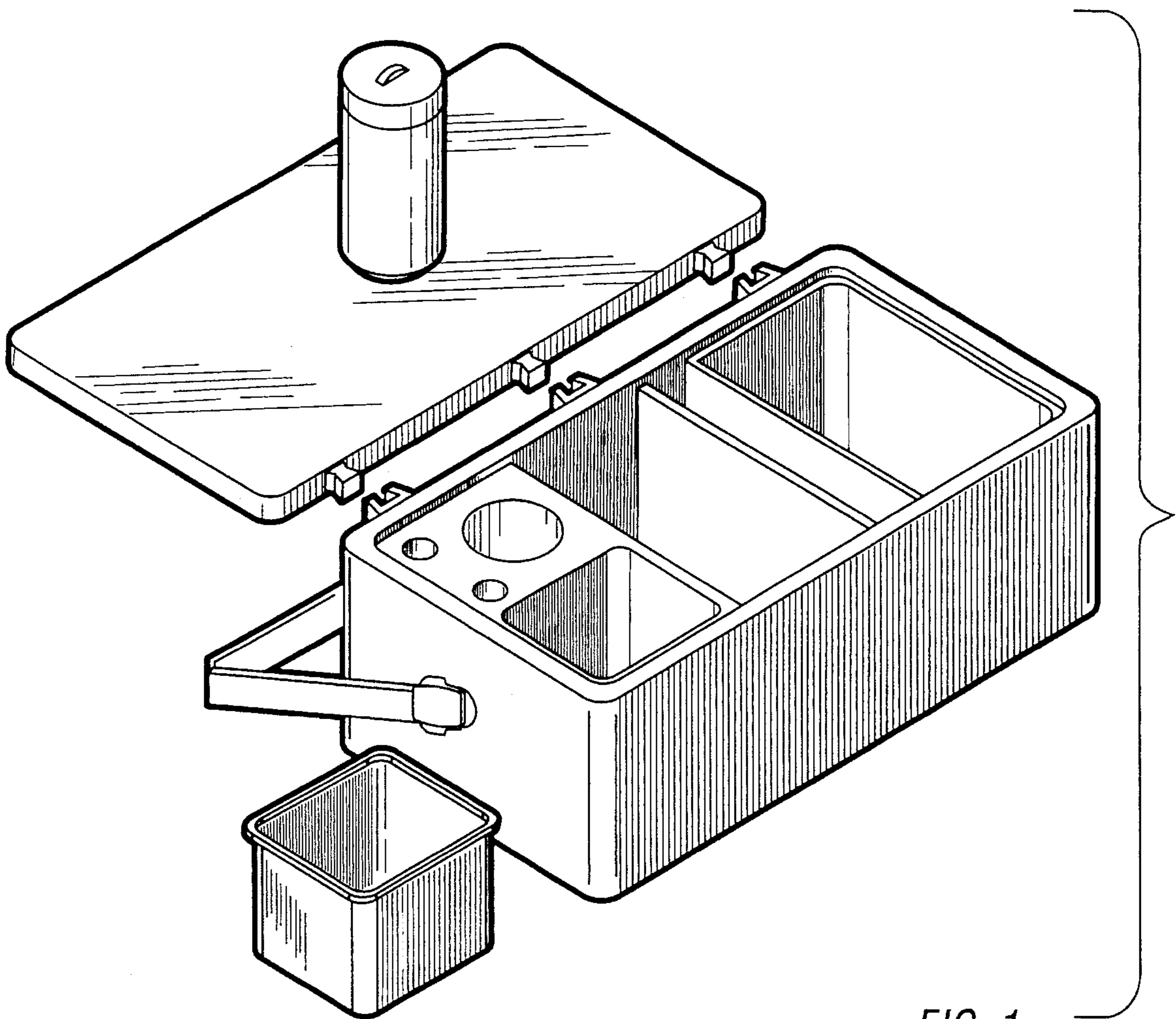


FIG. 1

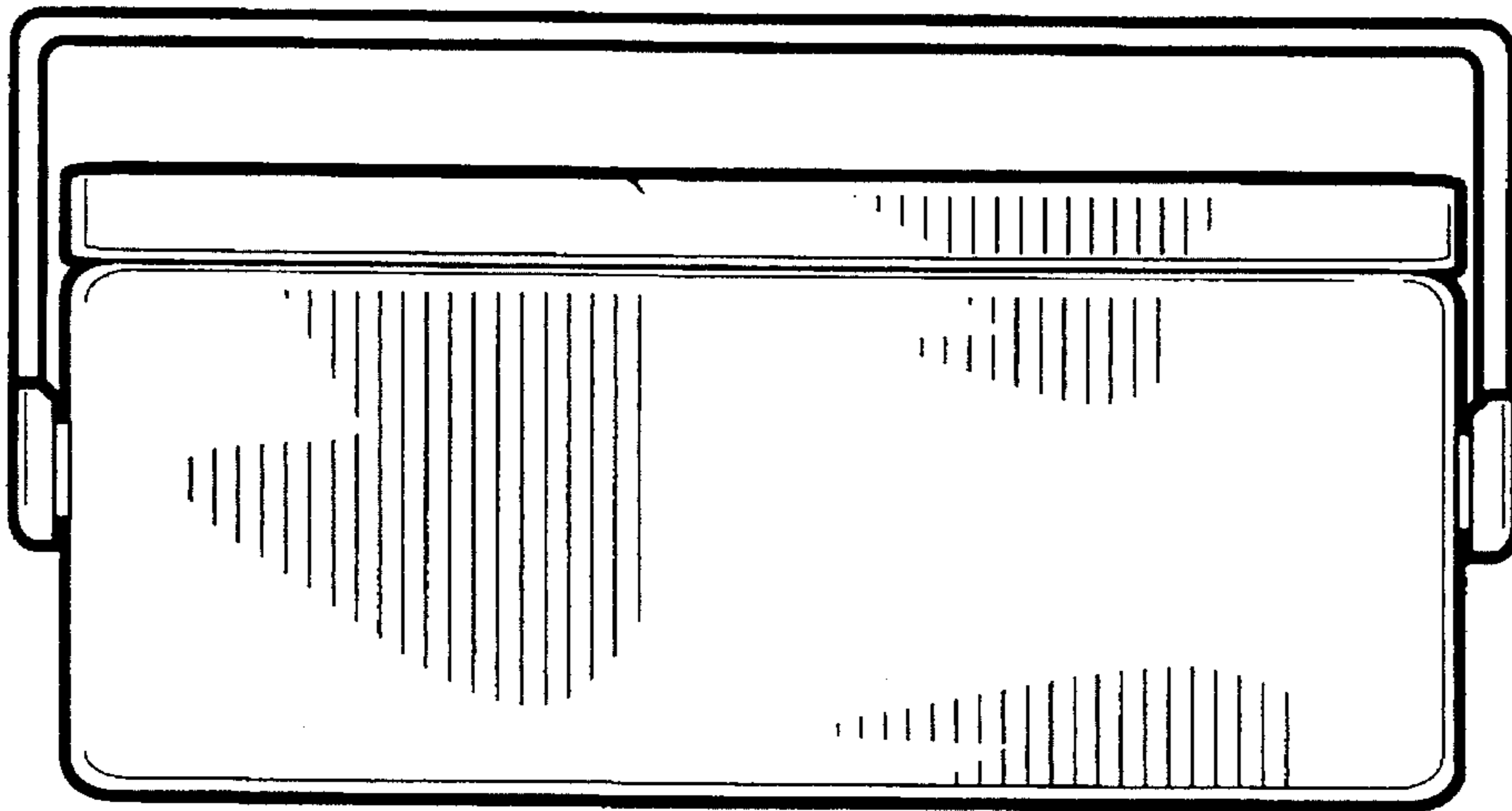


FIG. 3

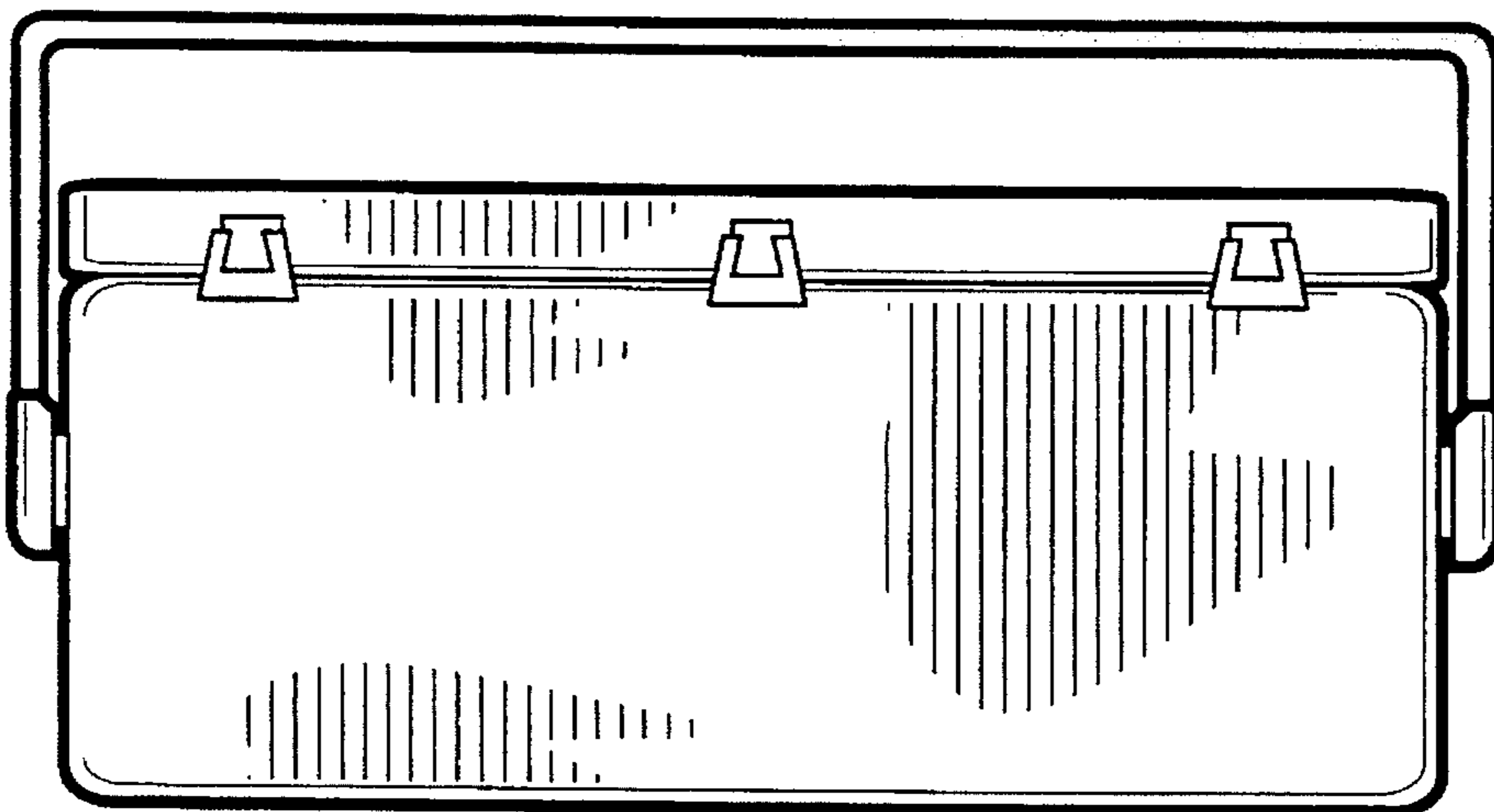


FIG. 4

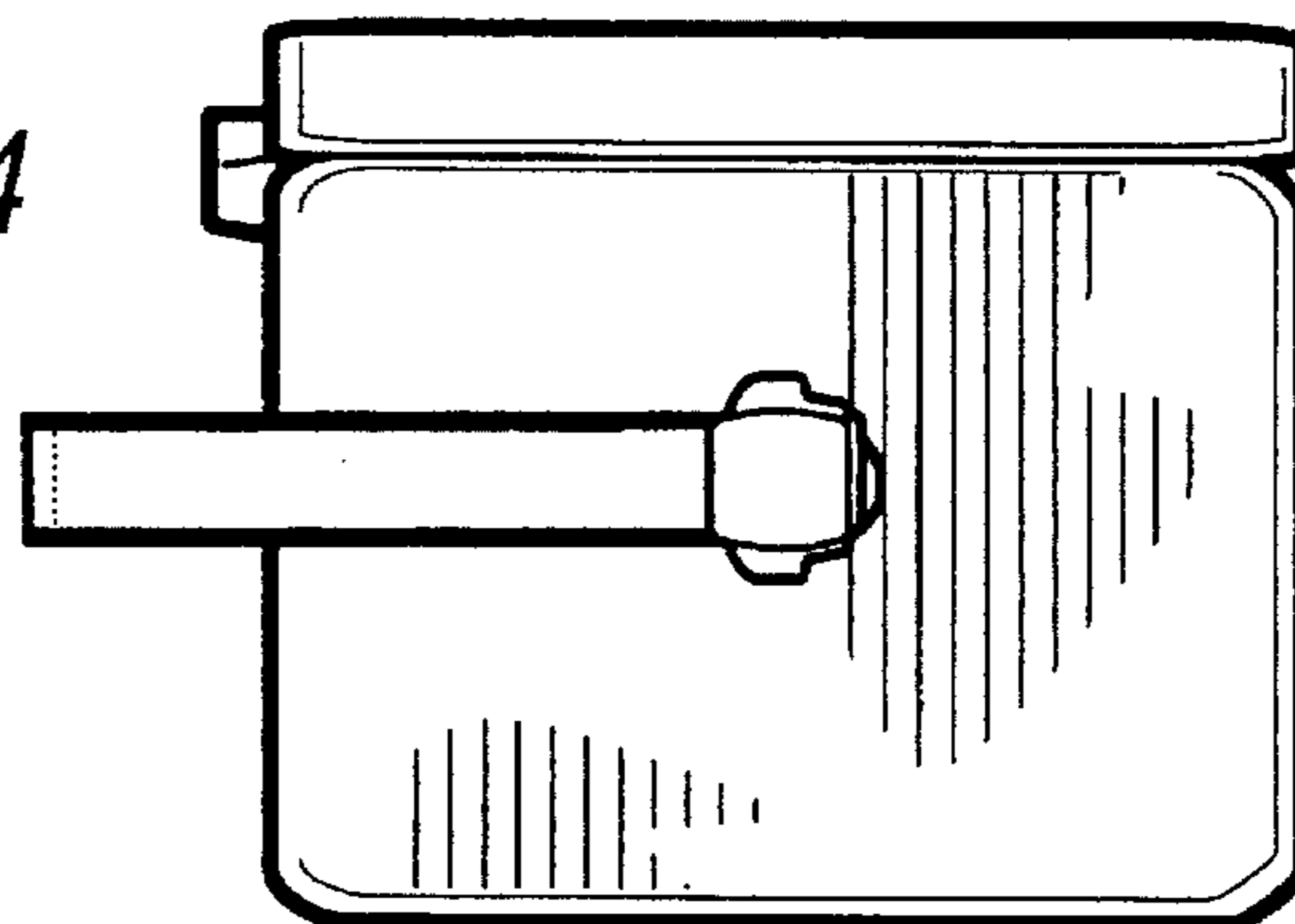


FIG. 5

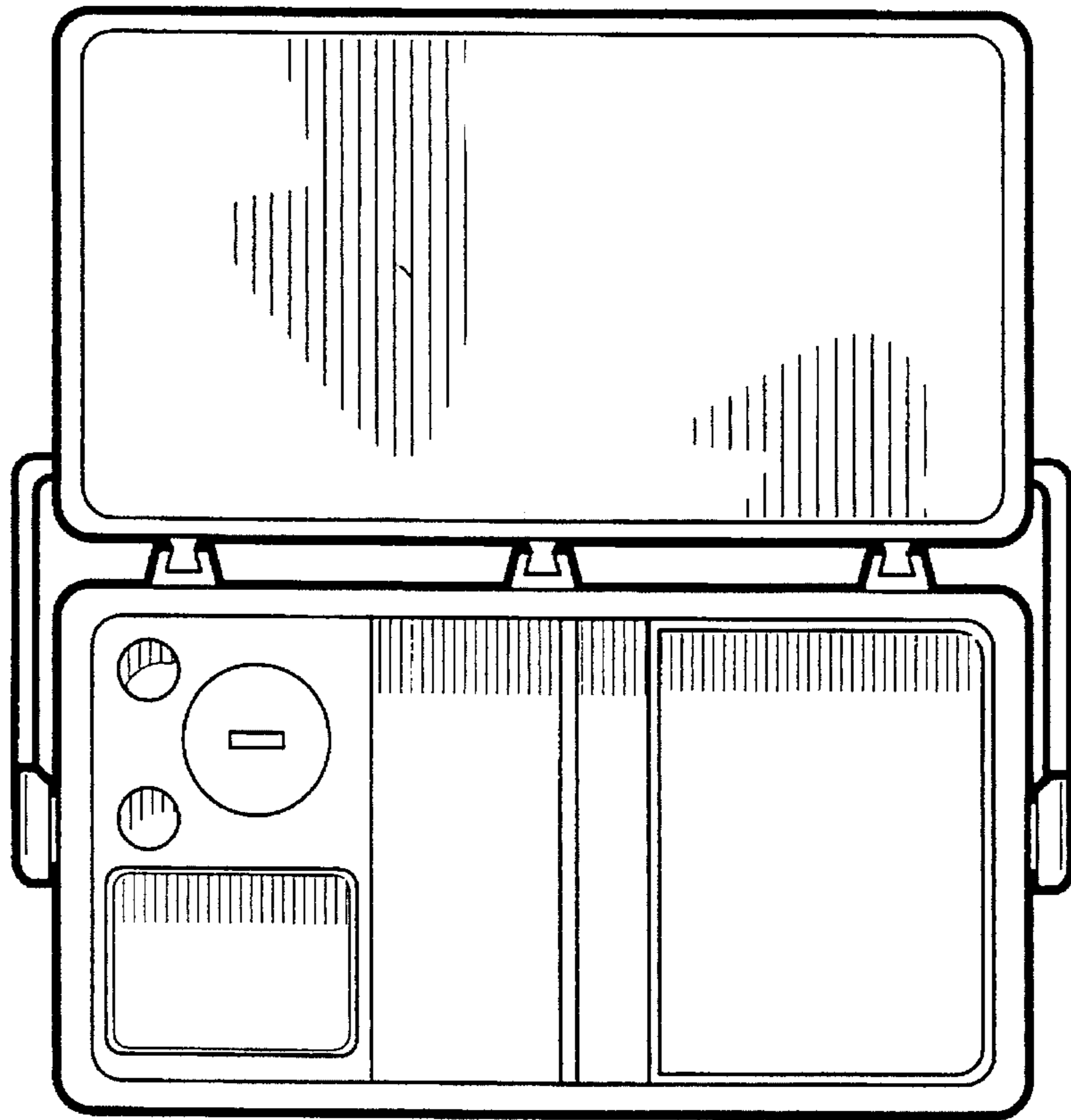


FIG. 6

