



US00D371053S

United States Patent [19]

[11] Patent Number: **Des. 371,053**

Lillelund et al.

[45] Date of Patent: ****Jun. 25, 1996**

[54] **CANISTER**

Attorney, Agent, or Firm—John S. Doninger

[75] Inventors: **Stig Lillelund**, Gentofte; **Eskil H. Olsen**, Klampenborg; **Jakob Heiberg**, Charlottenlund, all of Denmark; **Robert H. C. M. Daenen**, Essene, Belgium

[57] **CLAIM**

The ornamental design for a canister, as shown and described.

[73] Assignee: **Dart Industries Inc.**, Deerfield, Ill.

DESCRIPTION

[**] Term: **14 Years**

FIG. 1 is a top, front and end perspective view of a canister showing our new design;

[21] Appl. No.: **38,671**

FIG. 2 is a top plan view thereof;

[22] Filed: **May 18, 1995**

FIG. 3 is a bottom plan view thereof;

[52] U.S. Cl. **D7/612**

FIG. 4 is a right end elevation view thereof;

[58] **Field of Search** D7/612-615; 391-392.1, D7/538-549; D9/414, 418, 424, 425, 428, 429; 220/306, 307, 352, 353, 355, 356, 377, 657, 659, 675, 266

FIG. 5 is a left end elevation view thereof;

FIG. 6 is a front elevation view thereof;

FIG. 7 is a rear elevation view thereof;

FIG. 8 is a longitudinal cross-section thereof on line 8—8 in FIG. 2;

[56] **References Cited**

FIG. 9 is a transverse cross-section thereof on line 9—9 in FIG. 2;

U.S. PATENT DOCUMENTS

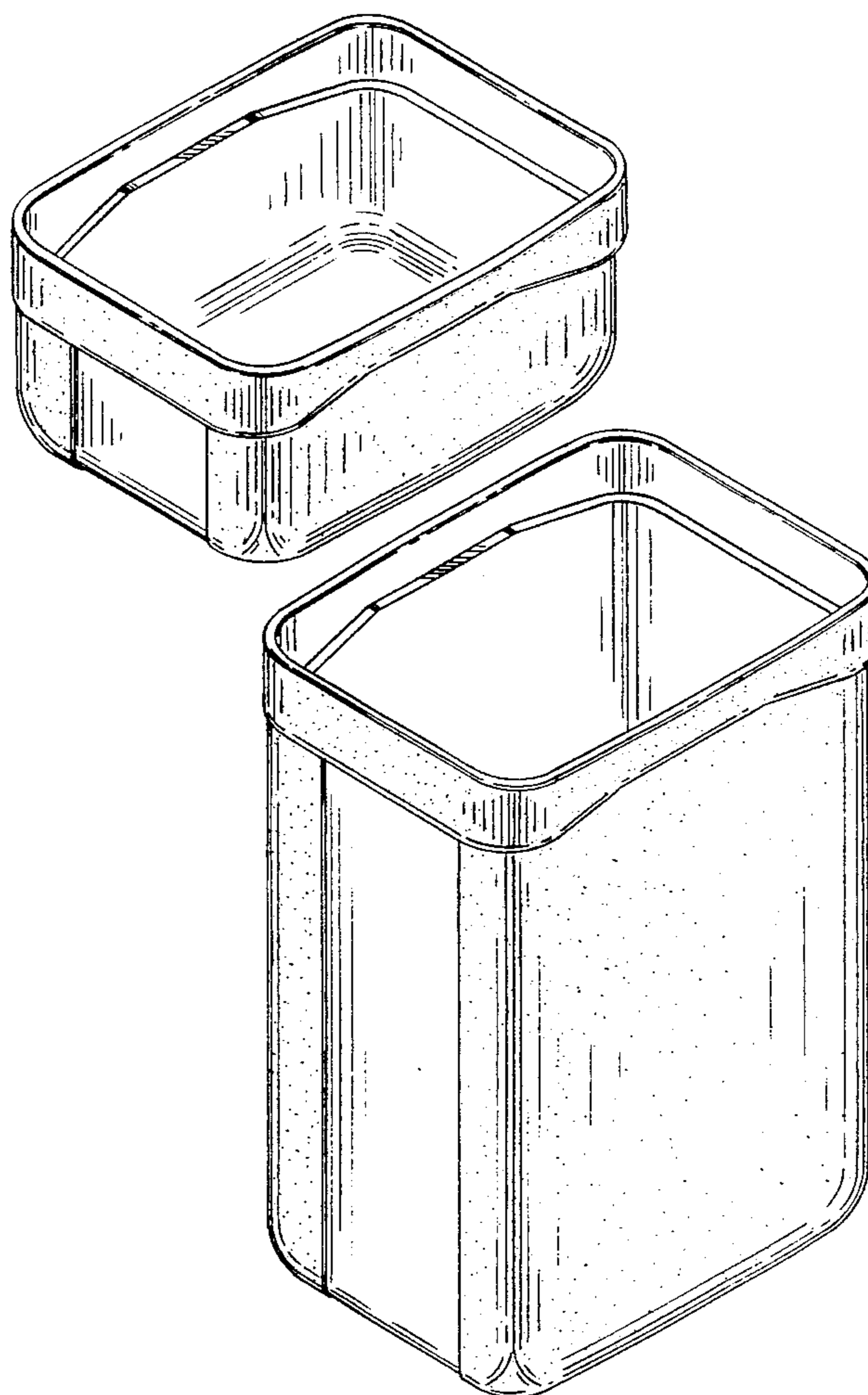
D. 276,400	11/1984	Daenen et al. .	
D. 279,952	8/1985	Daenen et al. .	
D. 282,809	3/1986	Daenen et al.	D7/614 X
D. 319,978	9/1991	Wolff	D9/424 X

FIG. 10 is a top, front and end perspective view of a first variation thereof, differing only in the height of the canister; and,

FIG. 11 is a top, front and end perspective view of a second variation thereof, differing only in the height of the canister.

Primary Examiner—Terry A. Wallace

1 Claim, 5 Drawing Sheets



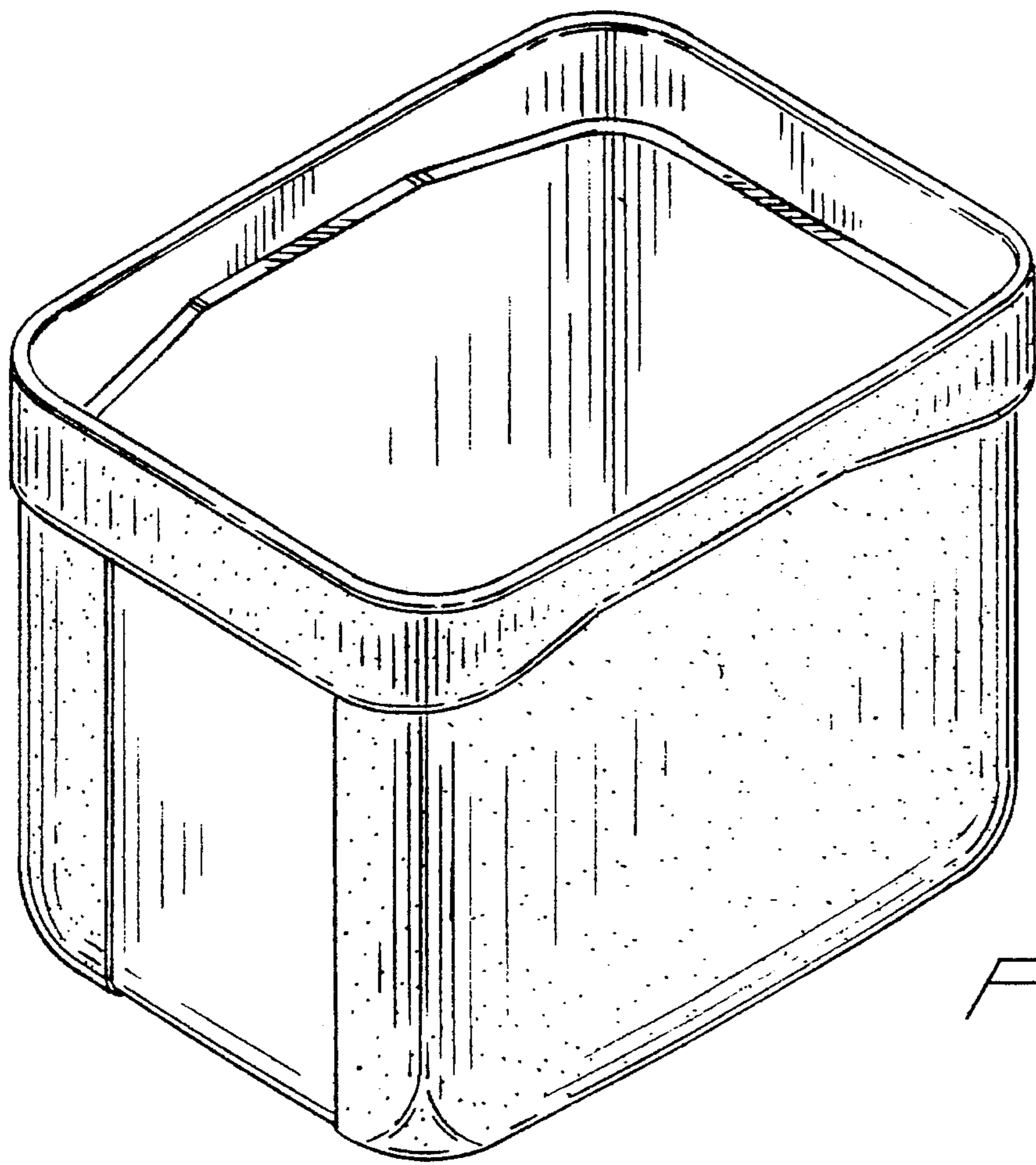


FIG. 1

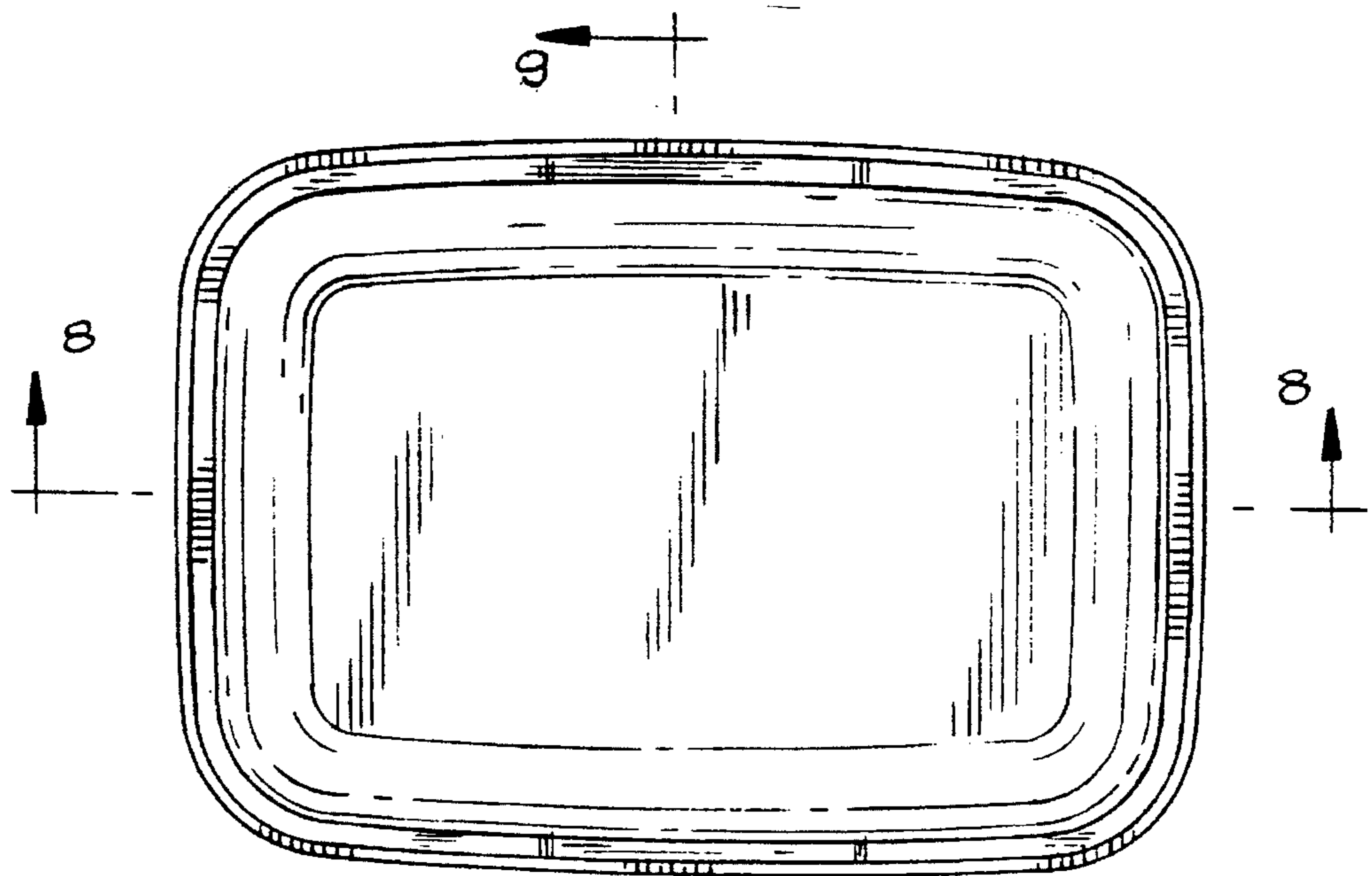


FIG. 2

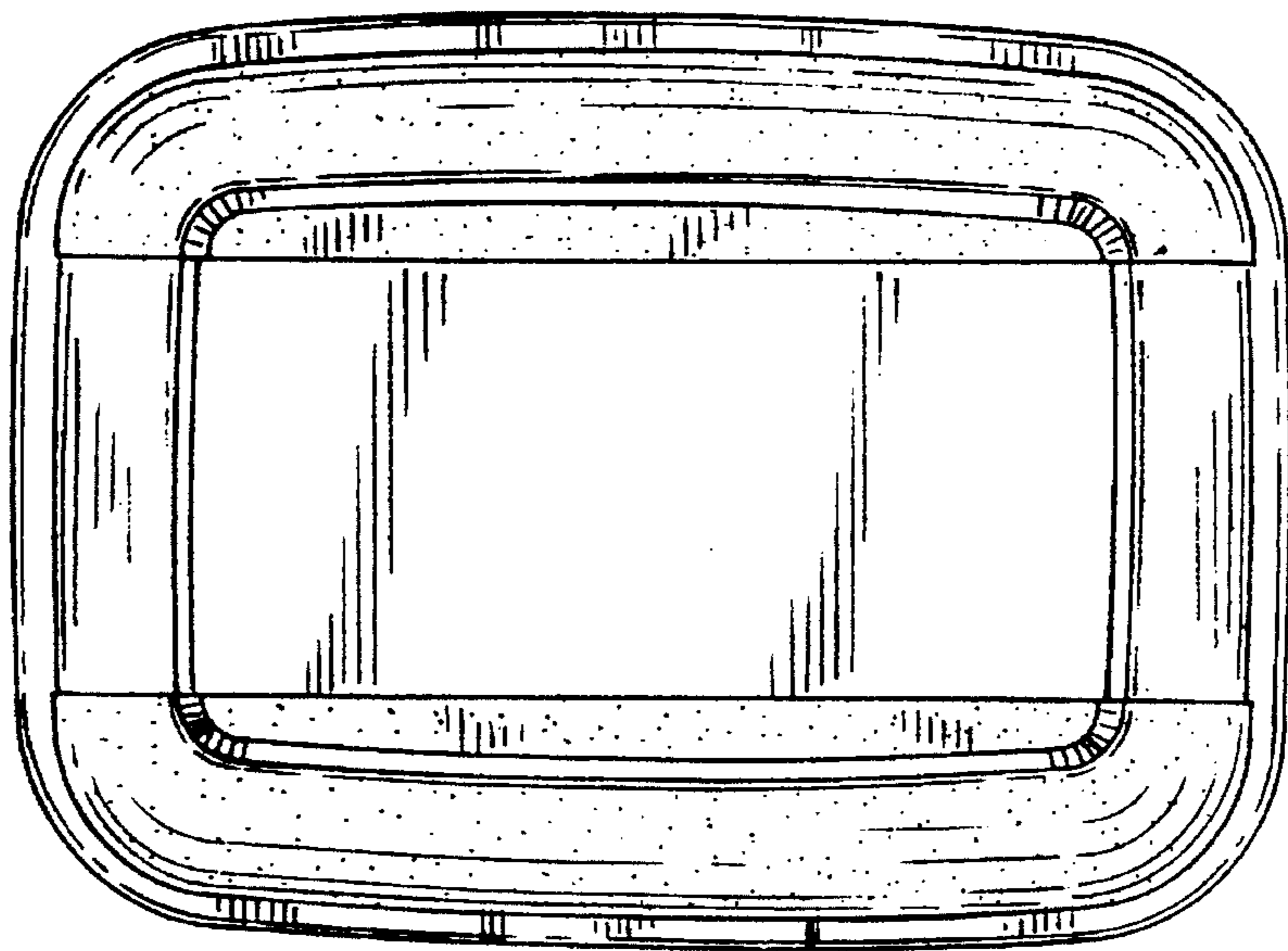


FIG. 3

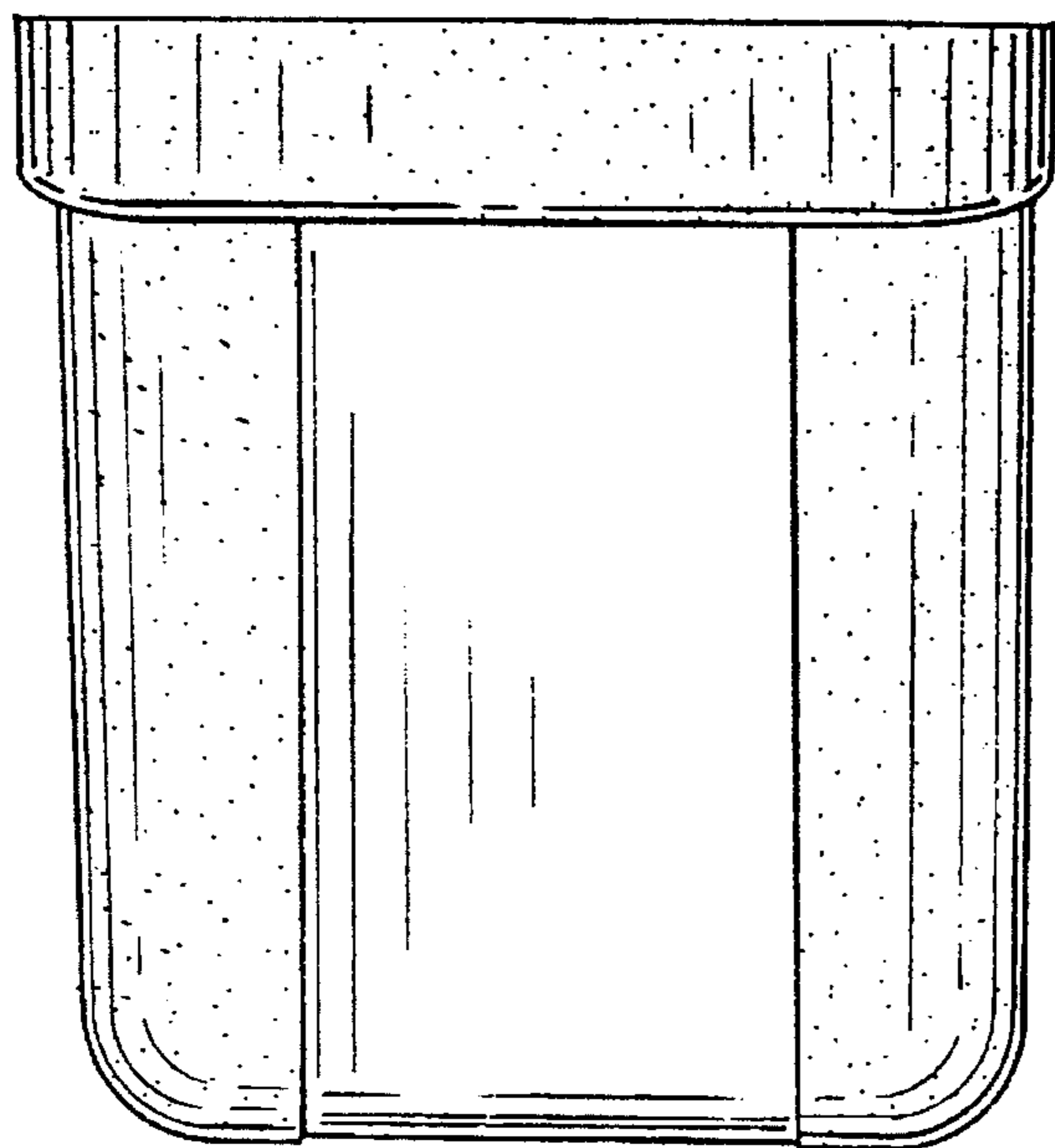


FIG. 4

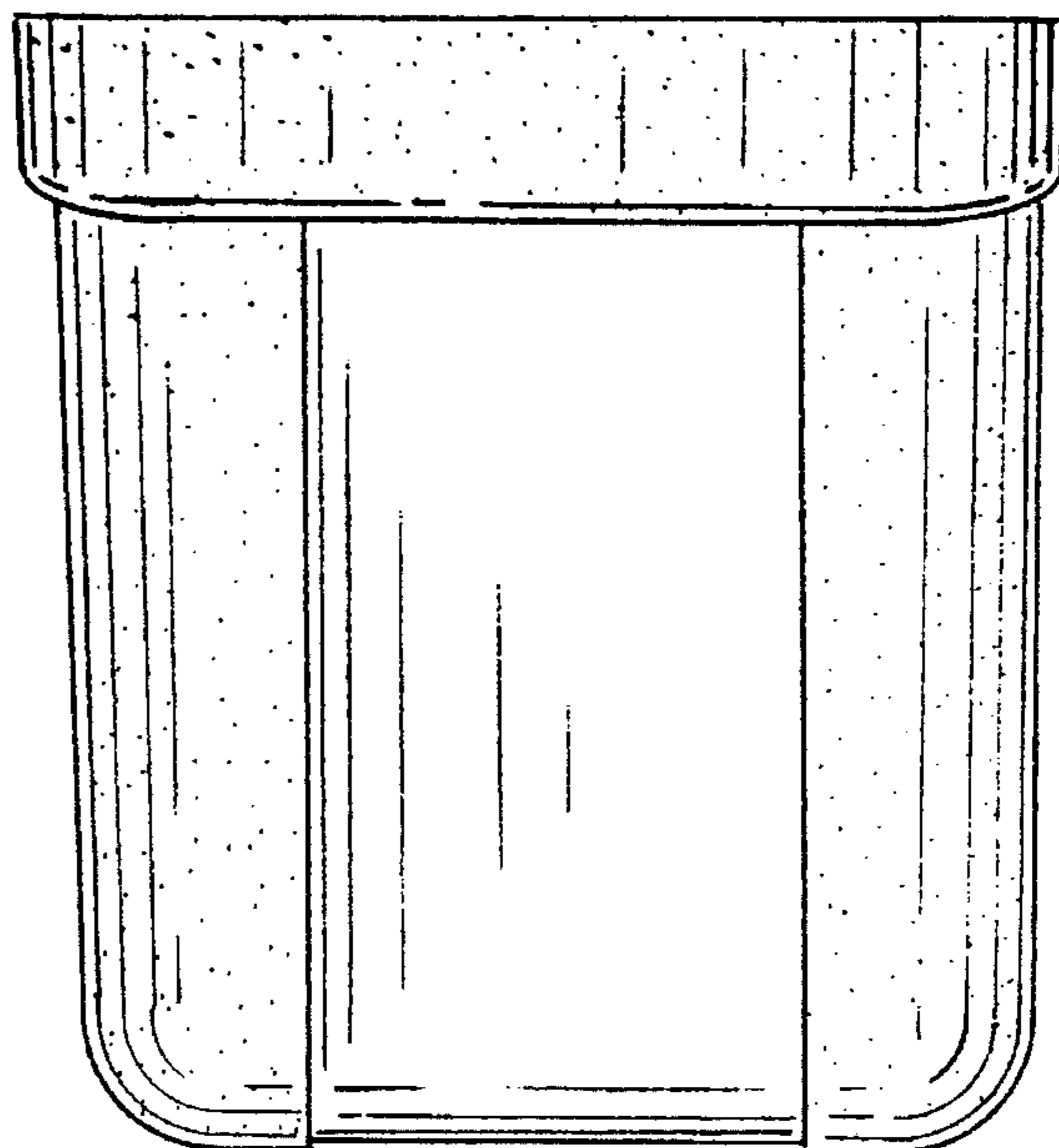


FIG. 5

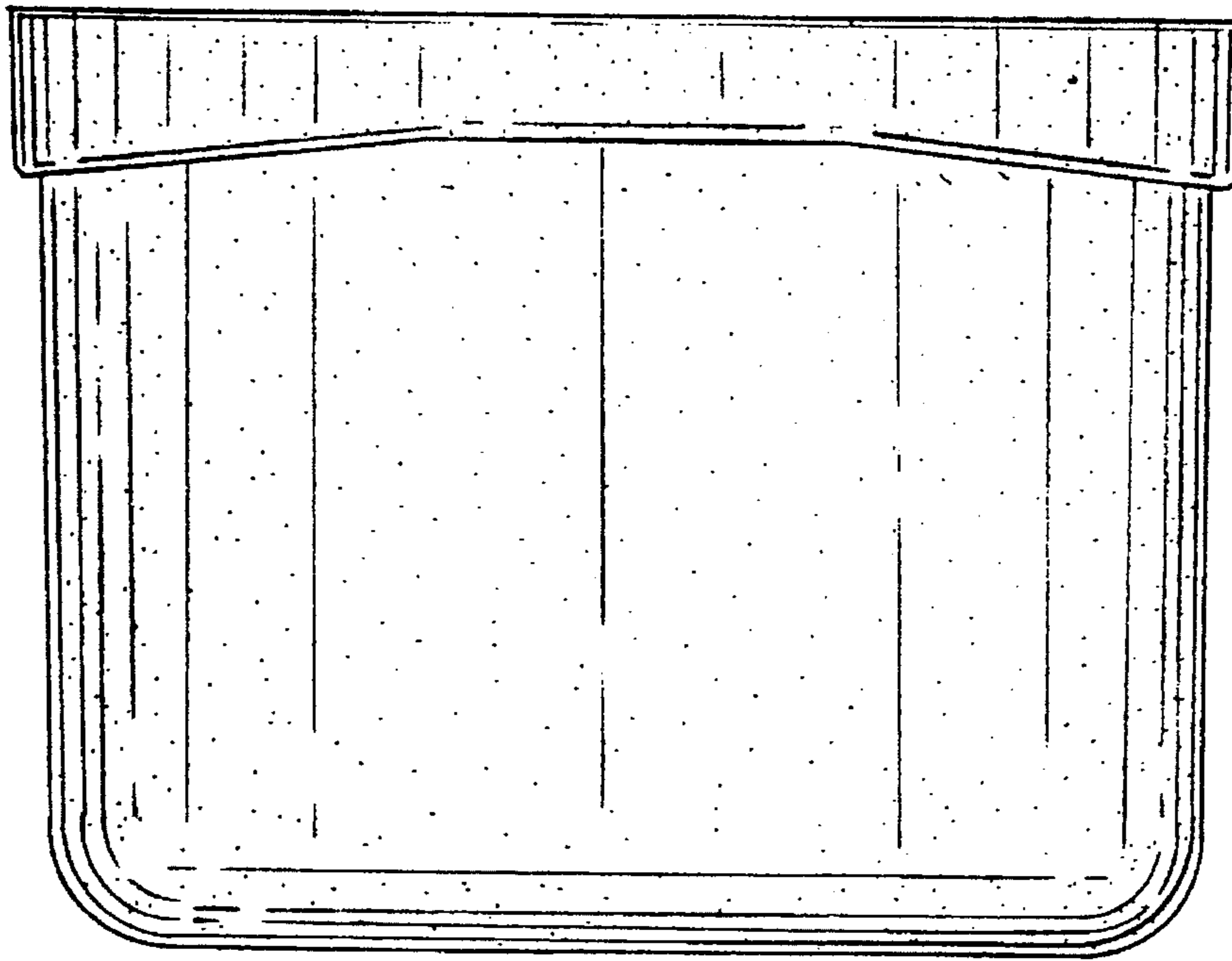


FIG. 6

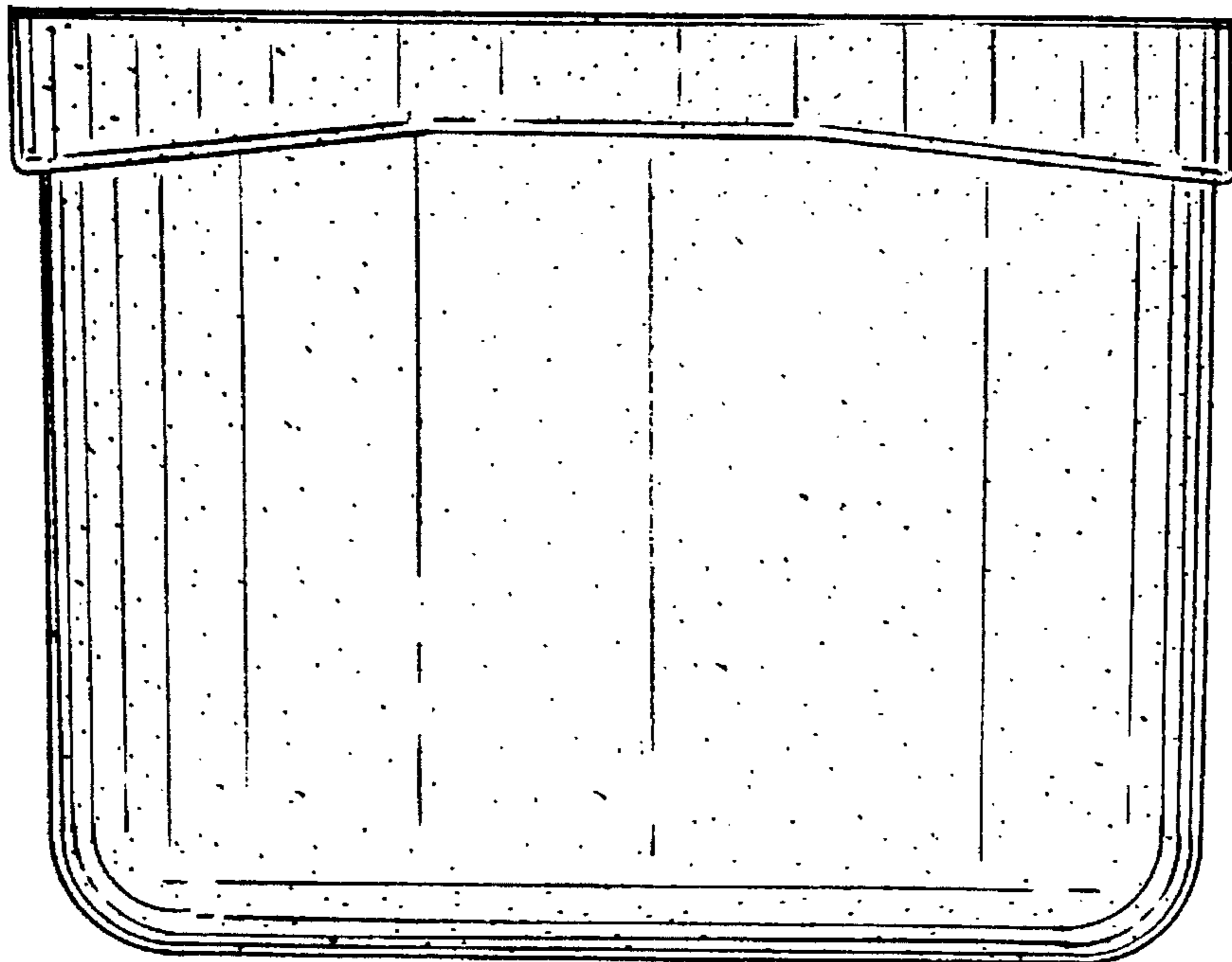


FIG. 7

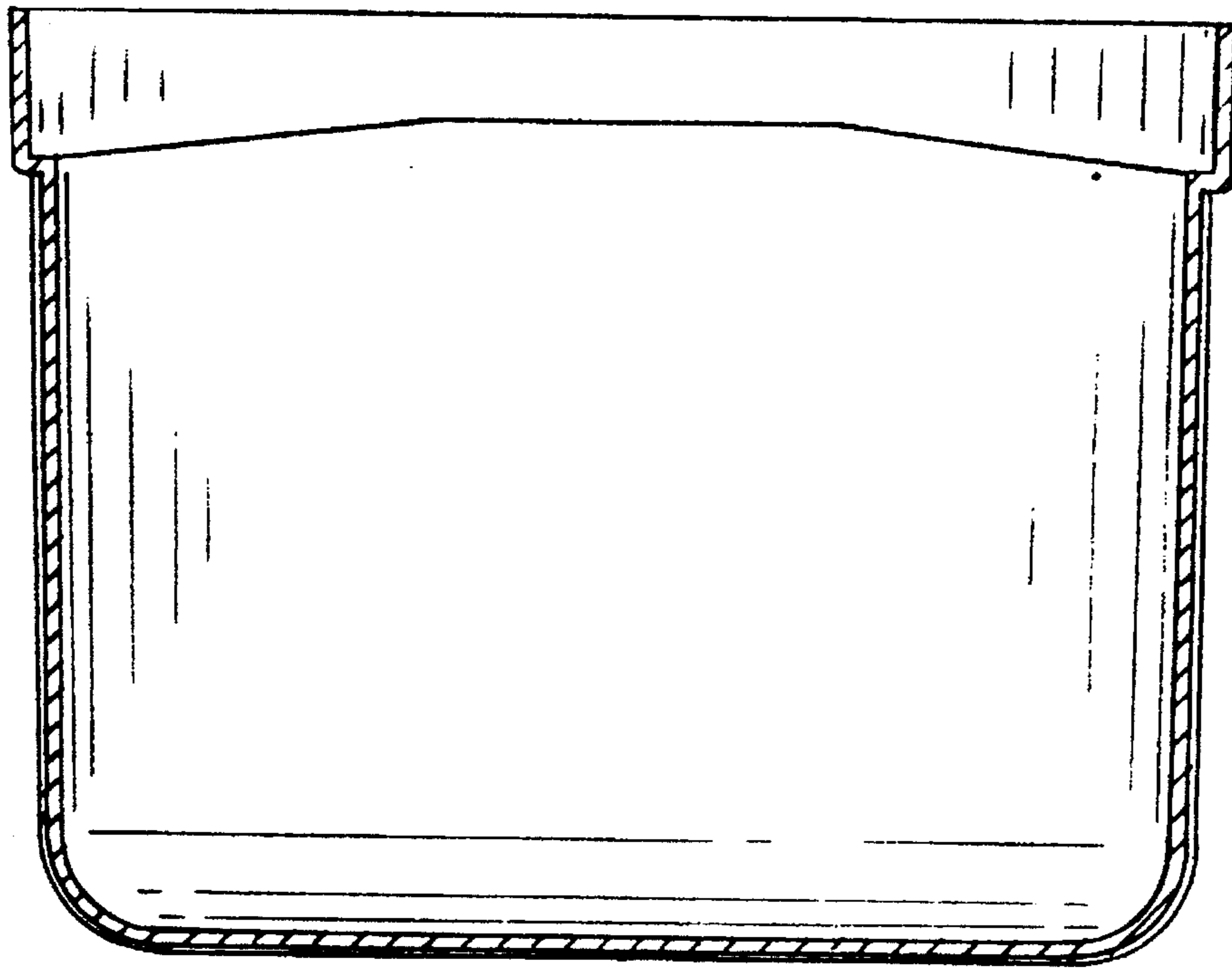


FIG. 8

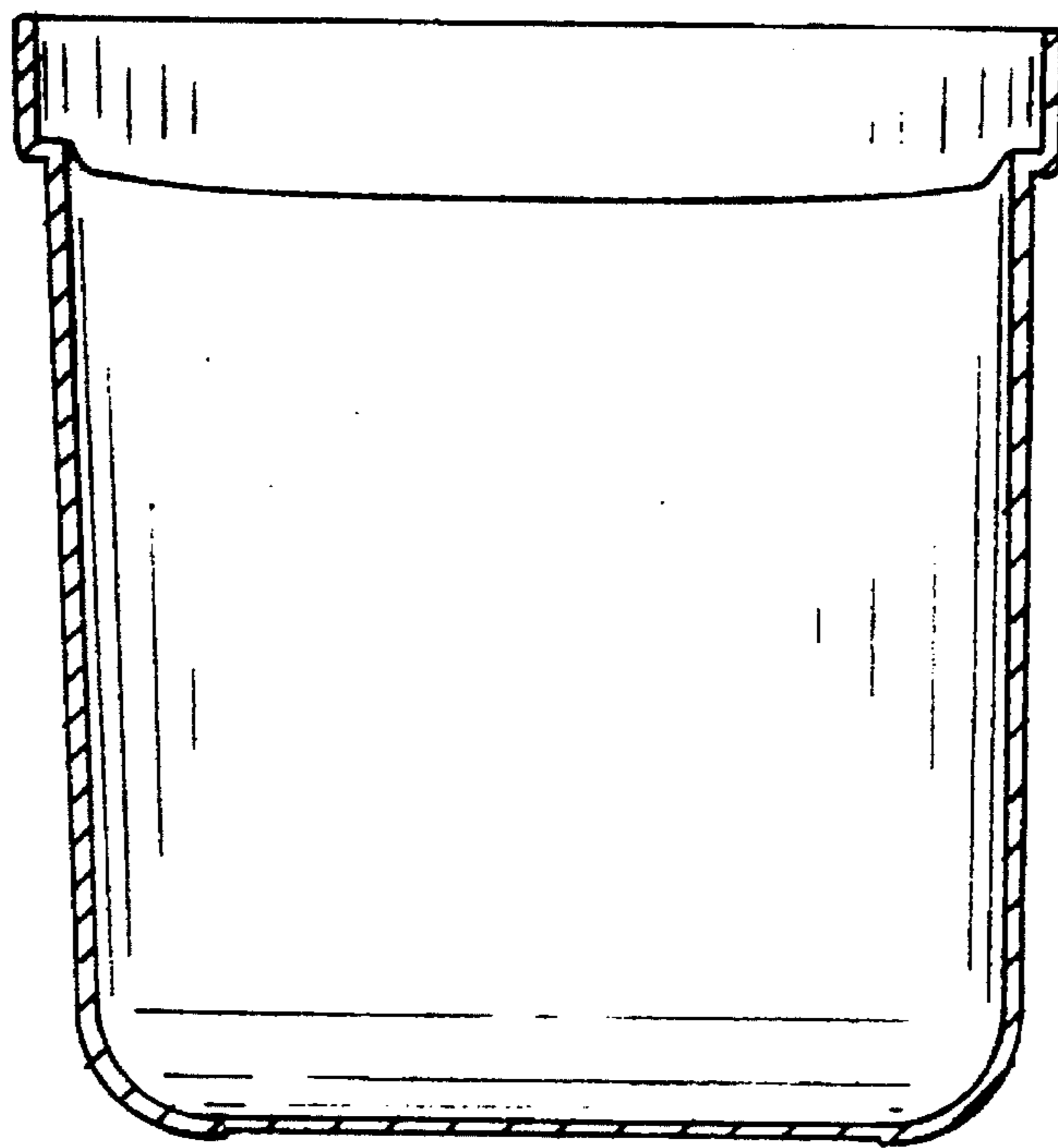


FIG. 9

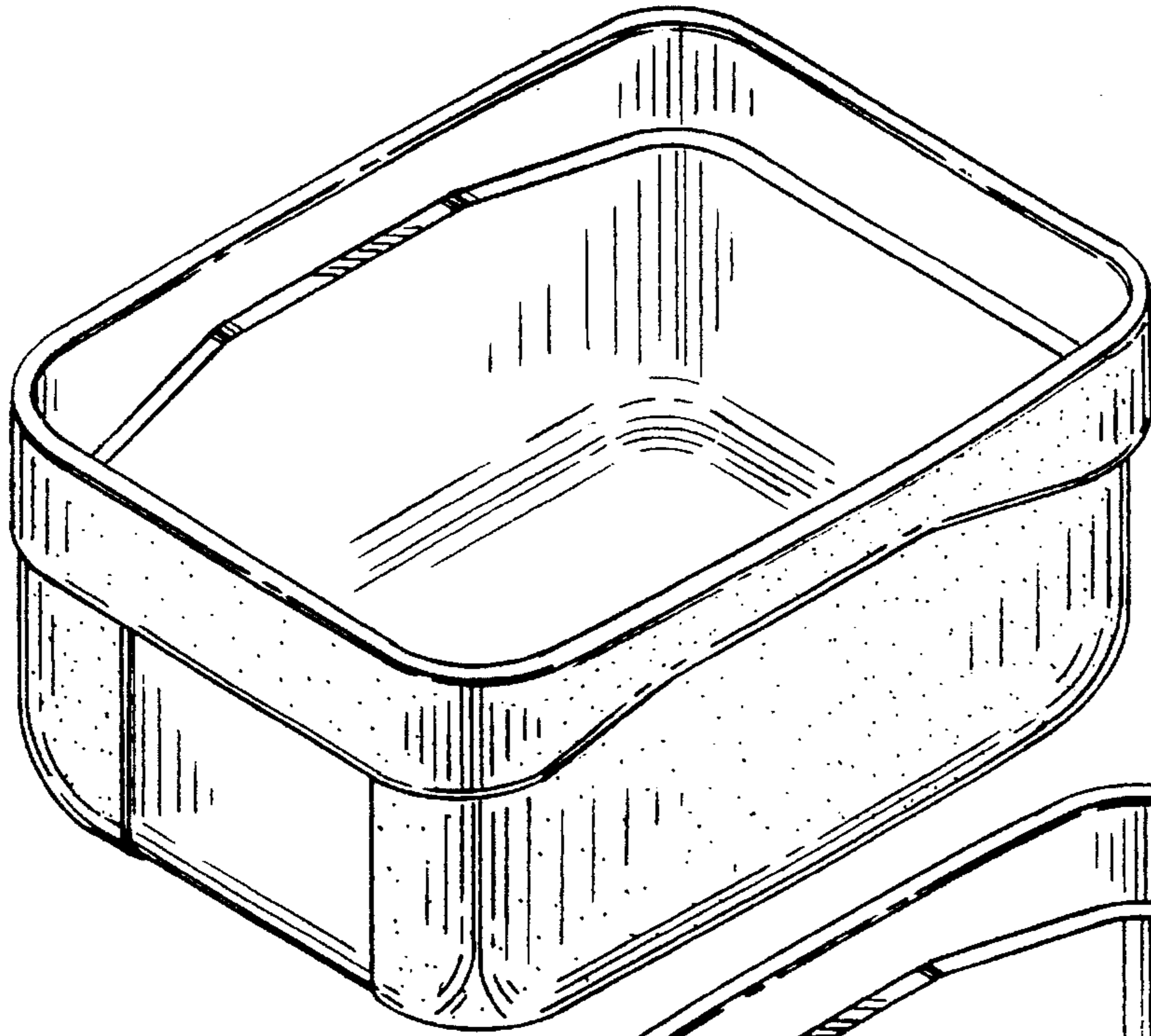


FIG. 10

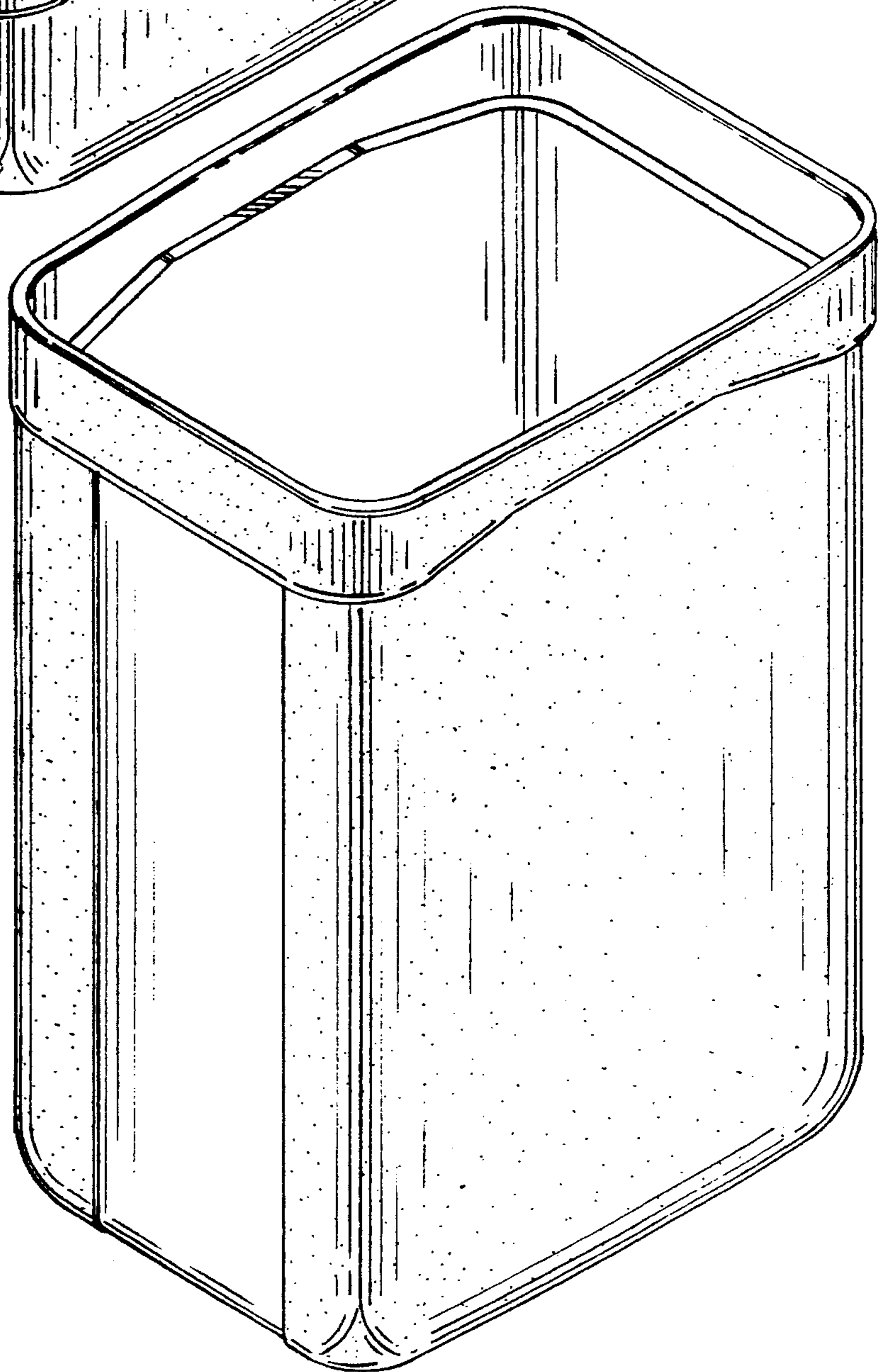


FIG. 11