



US00D371052S

United States Patent [19] Melk

[11] Patent Number: **Des. 371,052**

[45] Date of Patent: ****Jun. 25, 1996**

[54] **FLEXIBLE COOLER**

[75] Inventor: **Thomas J. Melk**, Chicago, Ill.

[73] Assignee: **Outer Circle Products**, Chicago, Ill.

[**] Term: **14 Years**

[21] Appl. No.: **43,661**

[22] Filed: **Jun. 22, 1995**

[52] U.S. Cl. **D7/607**

[58] Field of Search D7/605-607; D3/273,
D3/276, 283, 287, 268, 301; 62/371, 457.1,
457.7; 150/107, 118, 119, 901; 206/541,
545, 548, 549; 220/410, 412, 6; 383/109-10,
113

[56] **References Cited**

U.S. PATENT DOCUMENTS

- D. 244,723 6/1977 Rabinowitz .
- D. 273,533 4/1984 Weinreb .
- D. 284,333 6/1986 Huston D3/283 X
- D. 284,715 7/1986 Jacober et al. .
- D. 299,406 1/1989 Jacober .
- D. 328,550 8/1992 Mogil et al. .
- D. 340,387 10/1993 Melk .
- D. 340,621 10/1993 Melk .

- D. 340,840 11/1993 Melk .
- D. 343,992 2/1994 Melk .
- 4,210,186 7/1980 Belenson .
- 4,334,601 6/1982 Davis .
- 4,537,313 8/1985 Workman .
- 4,598,746 7/1986 Rabinowitz .
- 4,767,039 8/1988 Jacober .
- 4,805,777 2/1989 Namgyal et al. .
- 5,403,095 4/1995 Melk .

Primary Examiner—Terry A. Wallace
Attorney, Agent, or Firm—Trexler, Bushnell, Giangiorgi & Blackstone, Ltd.

[57] **CLAIM**

The ornamental design for a flexible cooler, as shown.

DESCRIPTION

FIG. 1 is a perspective view of the flexible cooler showing the design;
FIG. 2 is a top plan view thereof;
FIG. 3 is a front elevational view thereof;
FIG. 4 is a bottom plan view thereof;
FIG. 5 is a rear elevational view thereof;
FIG. 6 is a left side elevational view thereof; and,
FIG. 7 is a right side elevational view thereof.

1 Claim, 4 Drawing Sheets

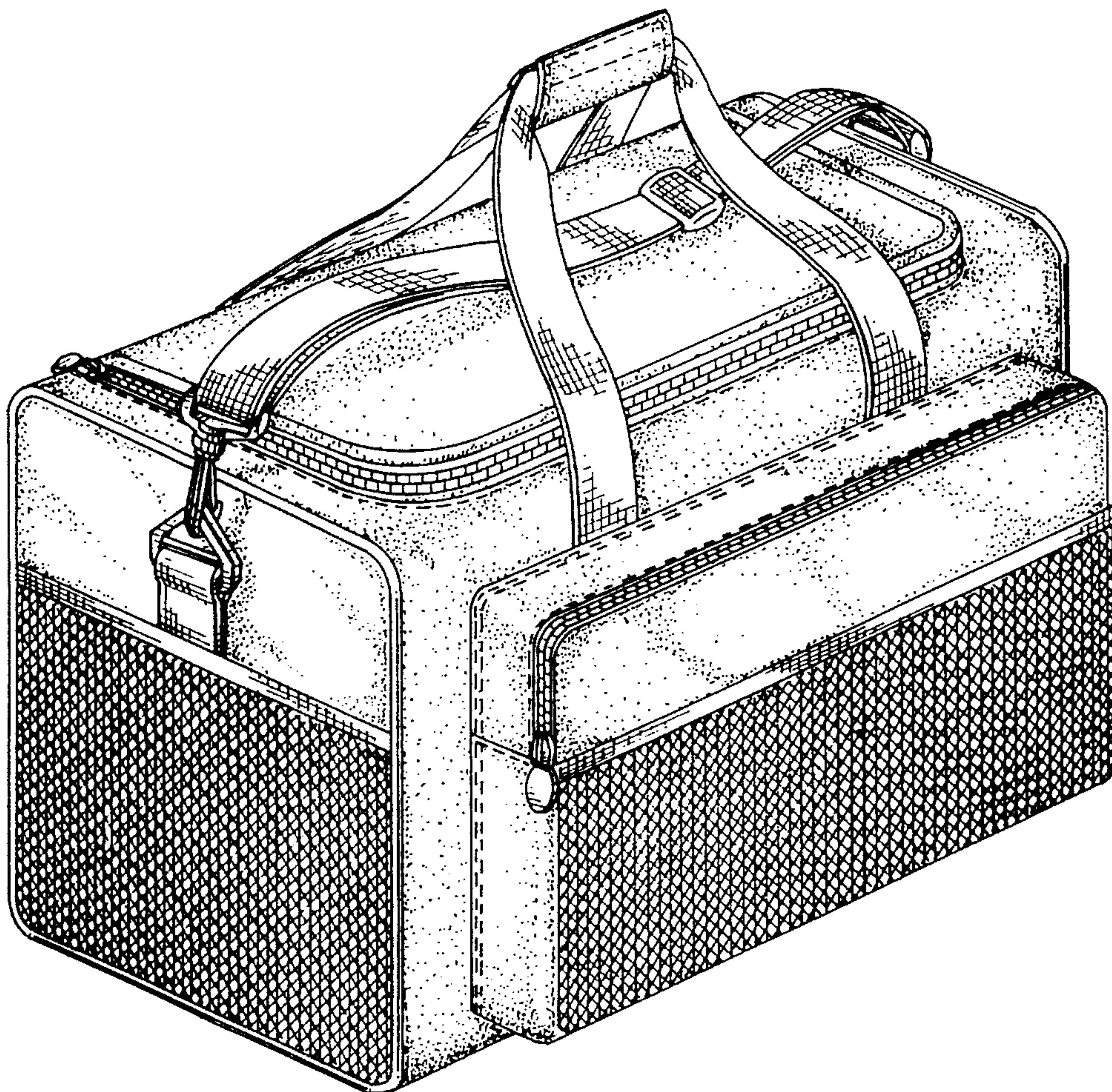


FIG. 1

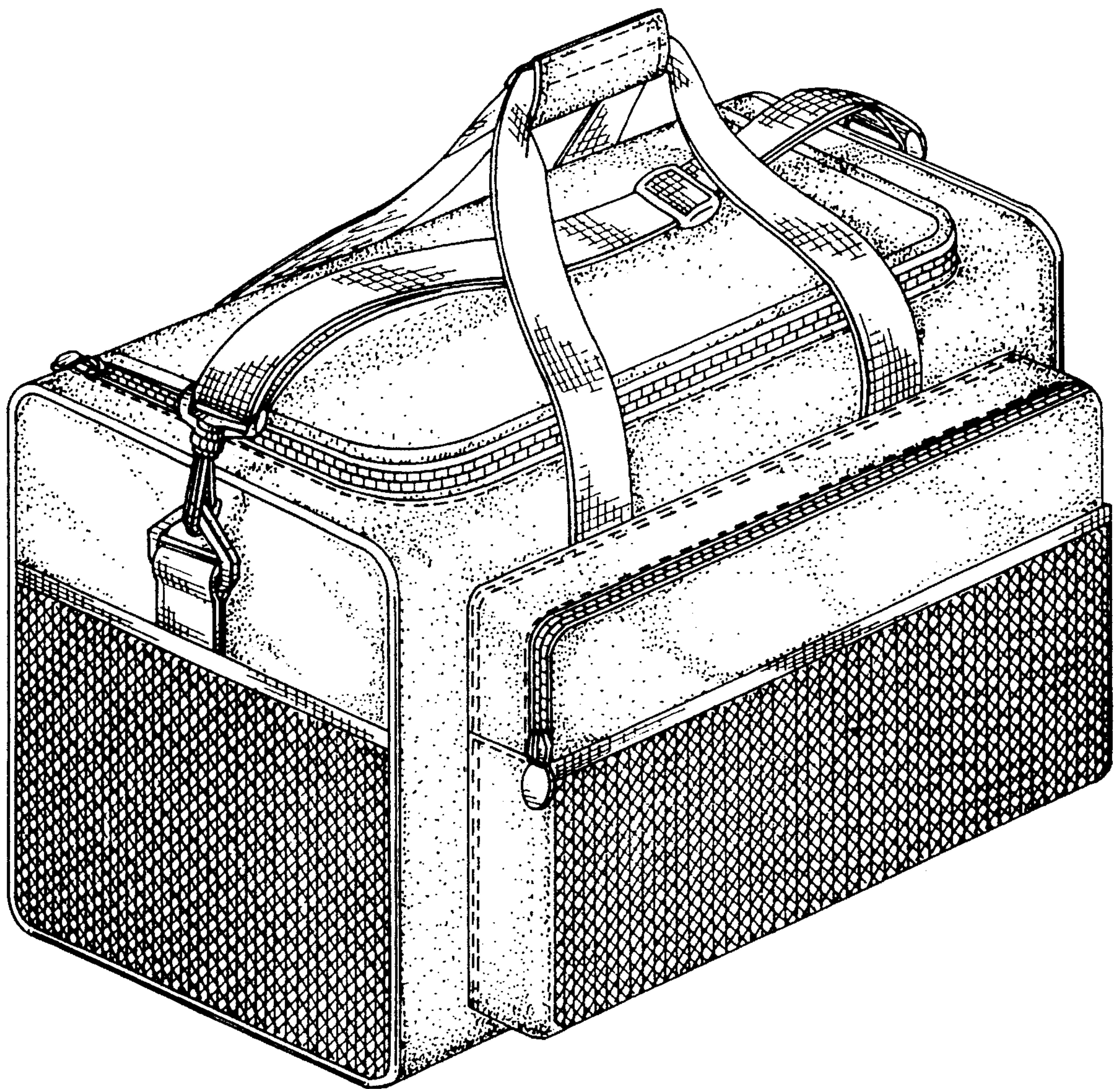


FIG. 2

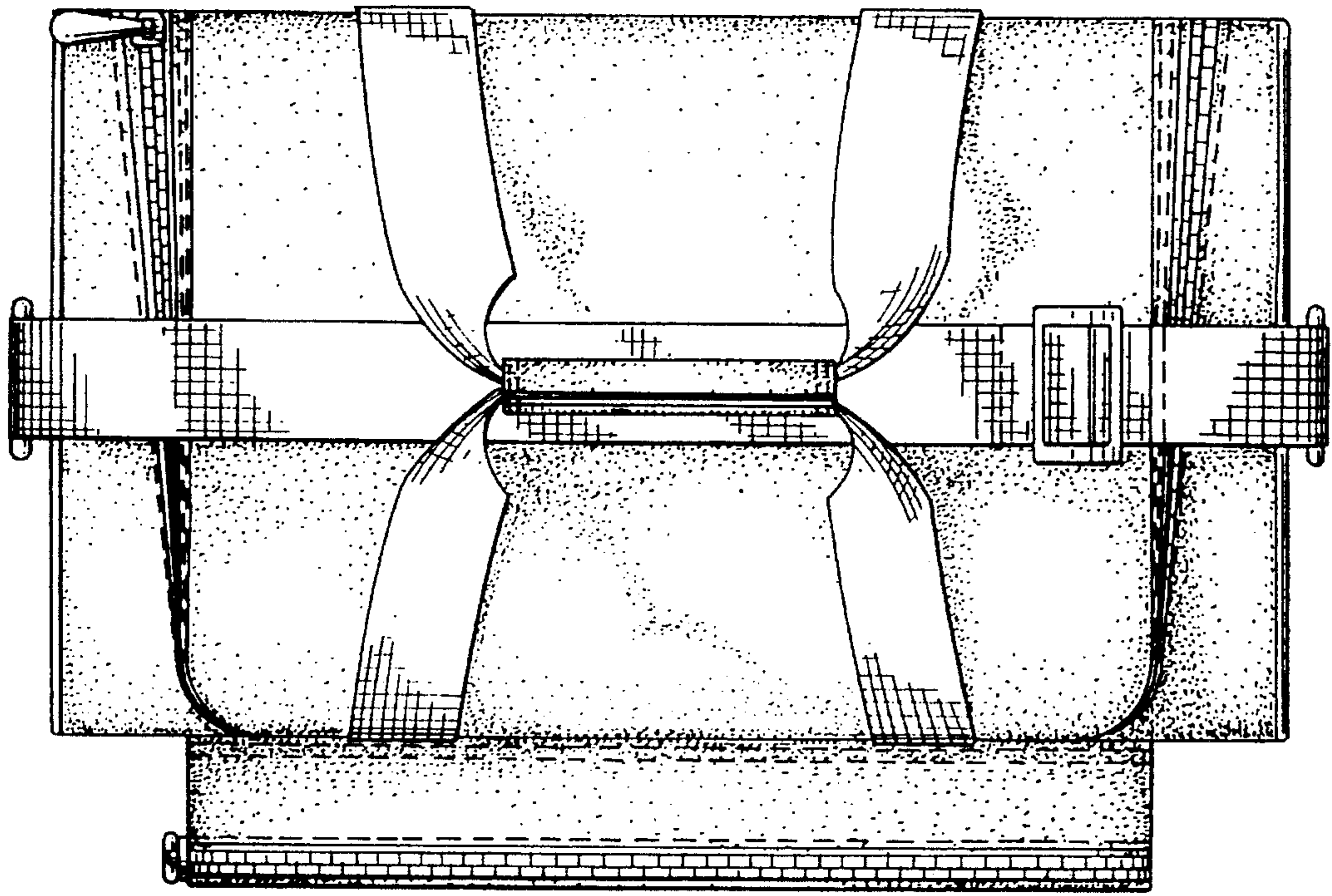


FIG. 3

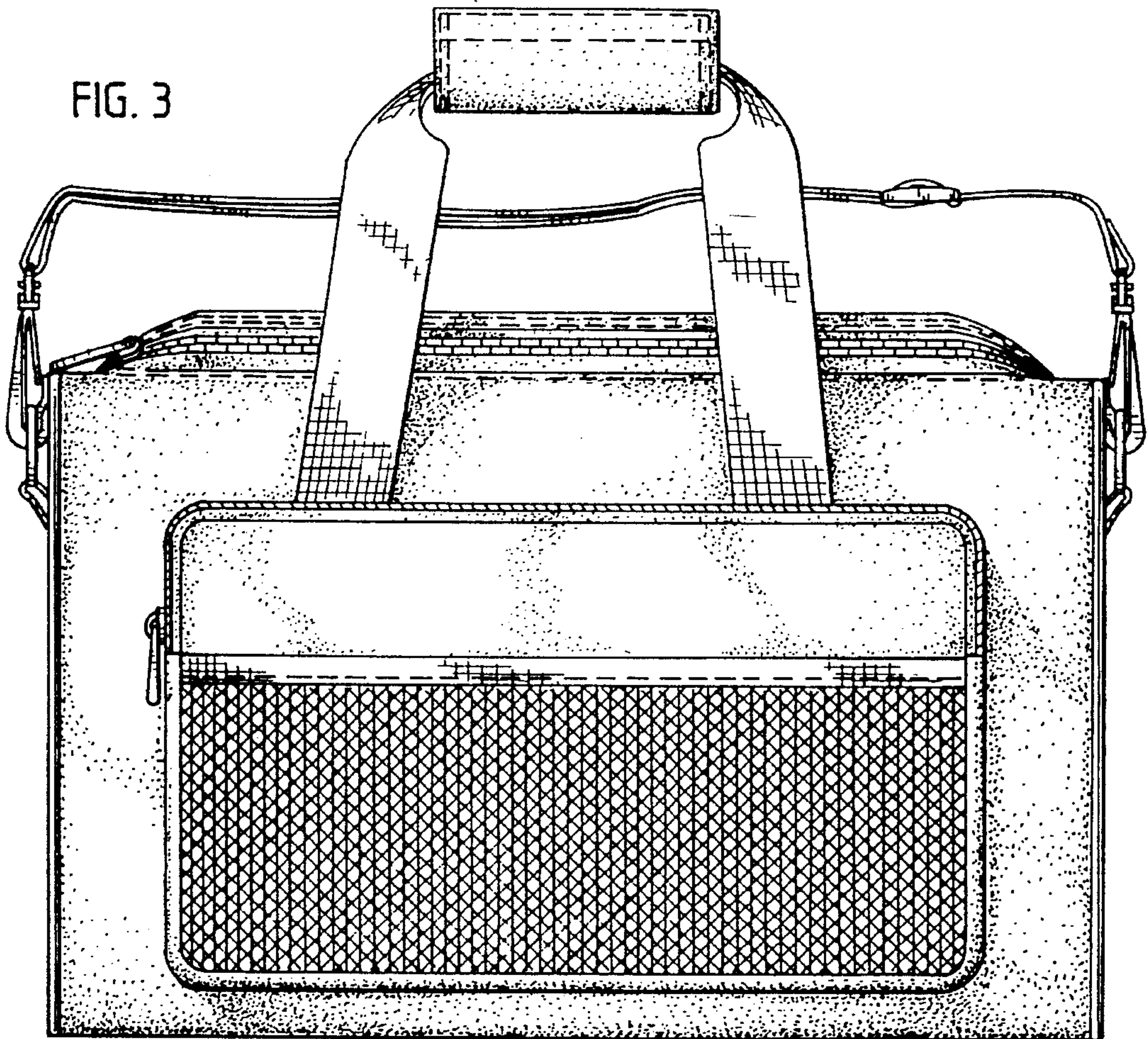


FIG. 4

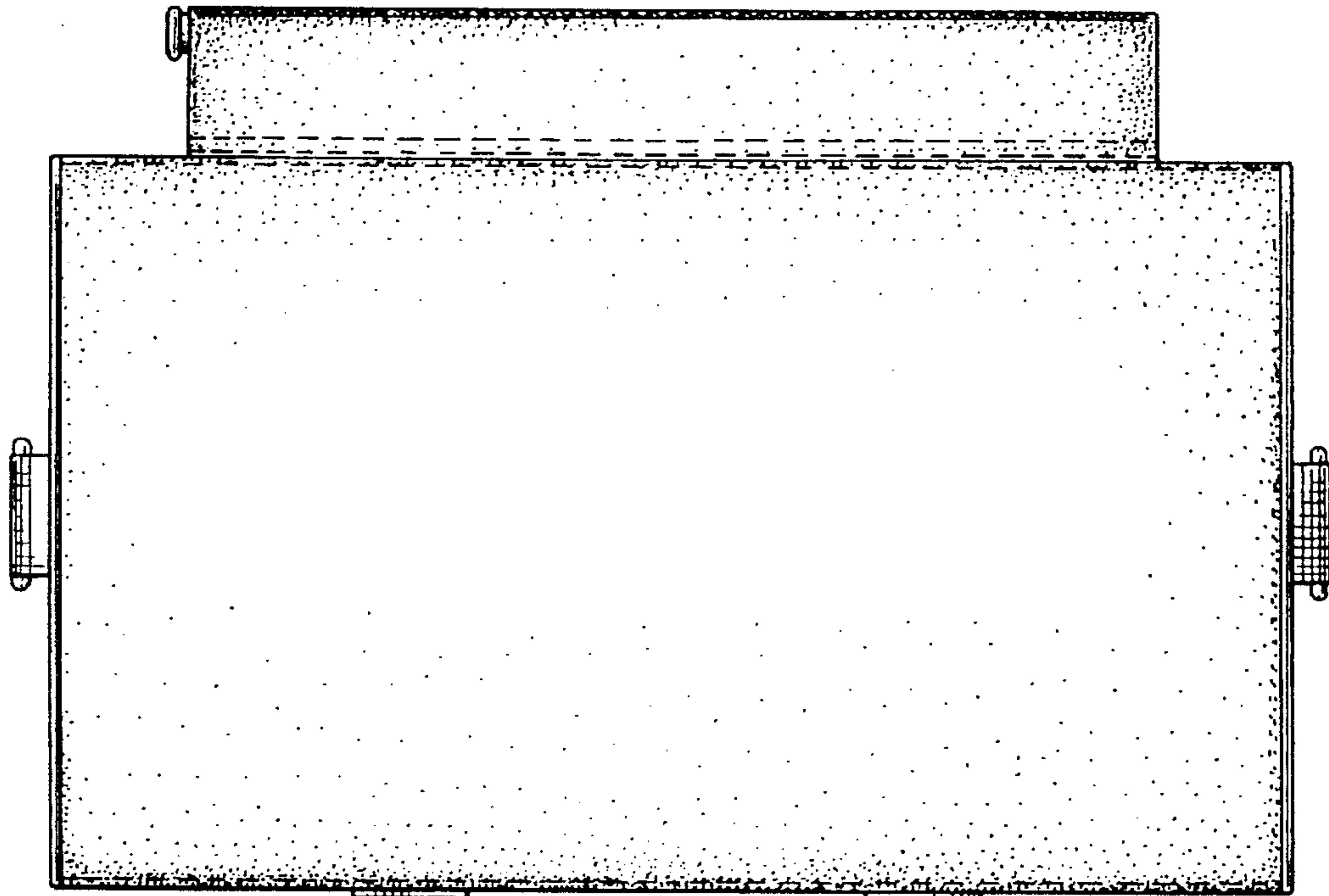
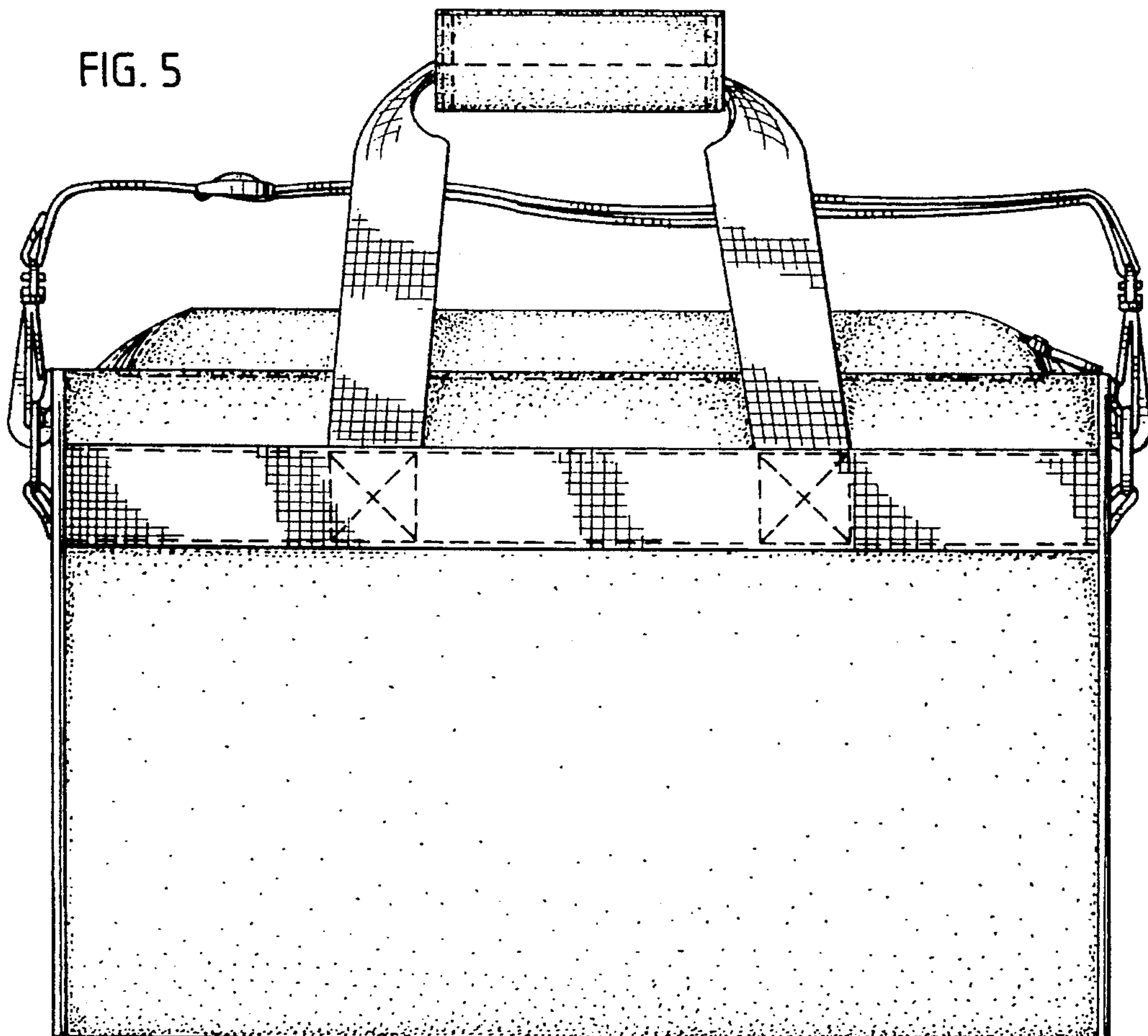


FIG. 5



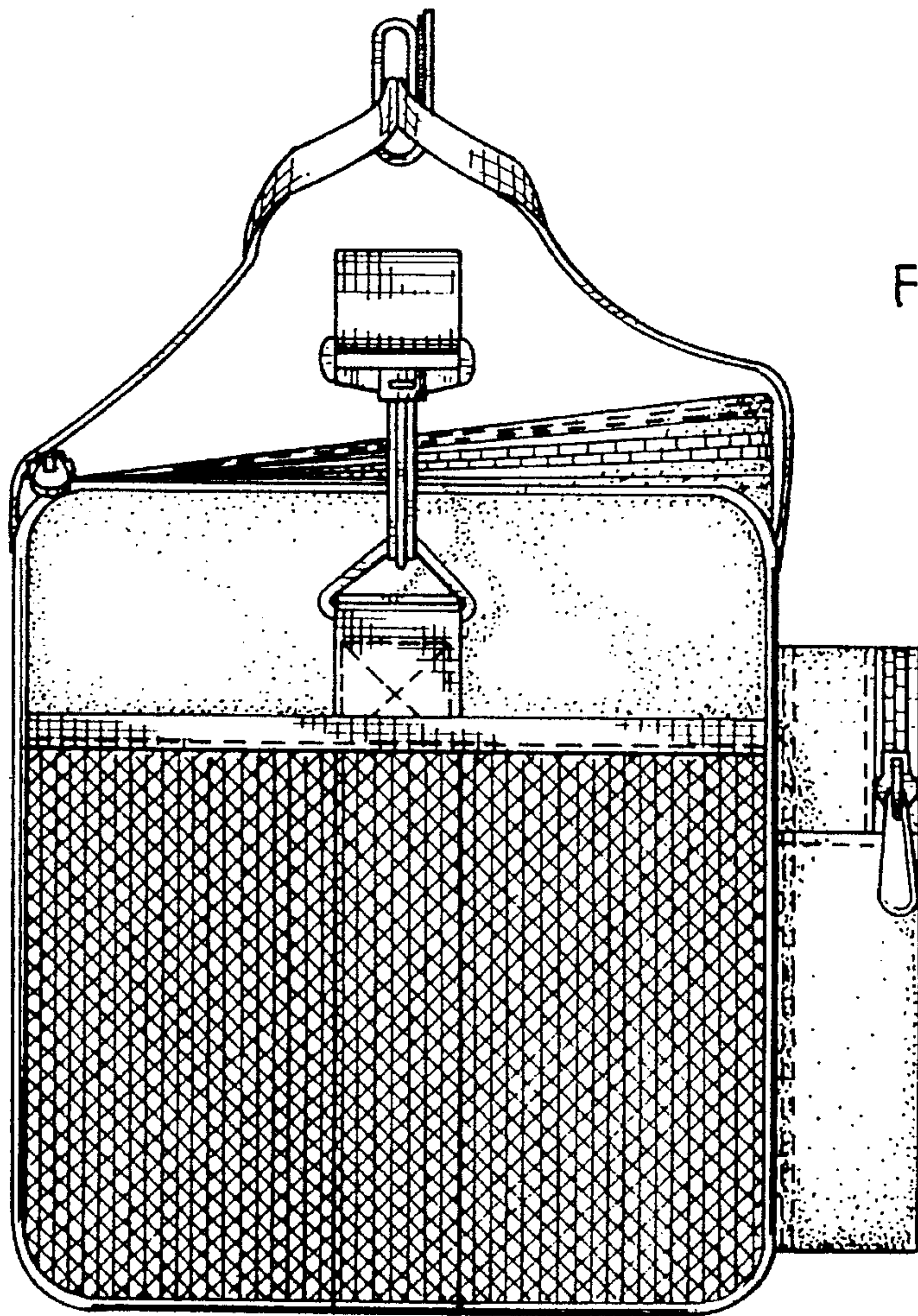


FIG. 6

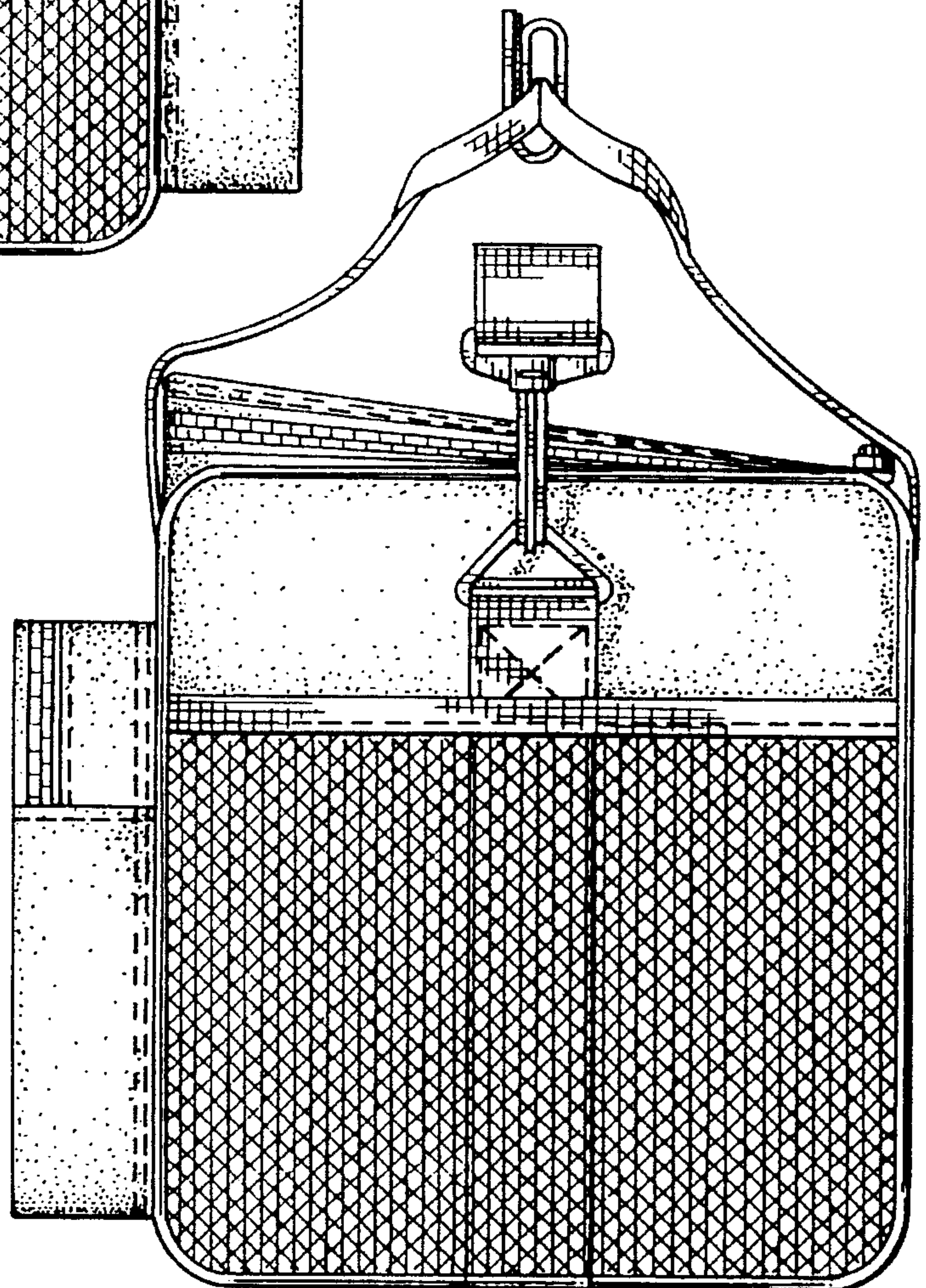


FIG. 7