



US00D371050S

United States Patent [19]

[11] Patent Number: **Des. 371,050**

Pendleton et al.

[45] Date of Patent: ****Jun. 25, 1996**

[54] **SANITARY DISPENSER FOR DIP**

Primary Examiner—Terry A. Wallace
Attorney, Agent, or Firm—Merrill N. Johnson

[76] Inventors: **Donna Pendleton; Bruce Pendleton**,
both of 14-100 Tamiami Trail, No. 406,
Naples, Fla. 33961-8459

[57] **CLAIM**

[**] Term: **14 Years**

The ornamental design for a sanitary dispenser for dip, as shown.

[21] Appl. No.: **39,525**

DESCRIPTION

[22] Filed: **May 30, 1995**

FIG. 1 is a perspective view of a sanitary dispenser for dip showing our new design;

[52] U.S. Cl. **D7/590**

FIG. 2 is a right side elevation view thereof;

[58] Field of Search D7/589, 590, 312,
D7/313; D6/542; 221/155, 281, 282; 222/105

FIG. 3 is a top plan view thereof;

FIG. 4 is a bottom plan view thereof;

[56] **References Cited**

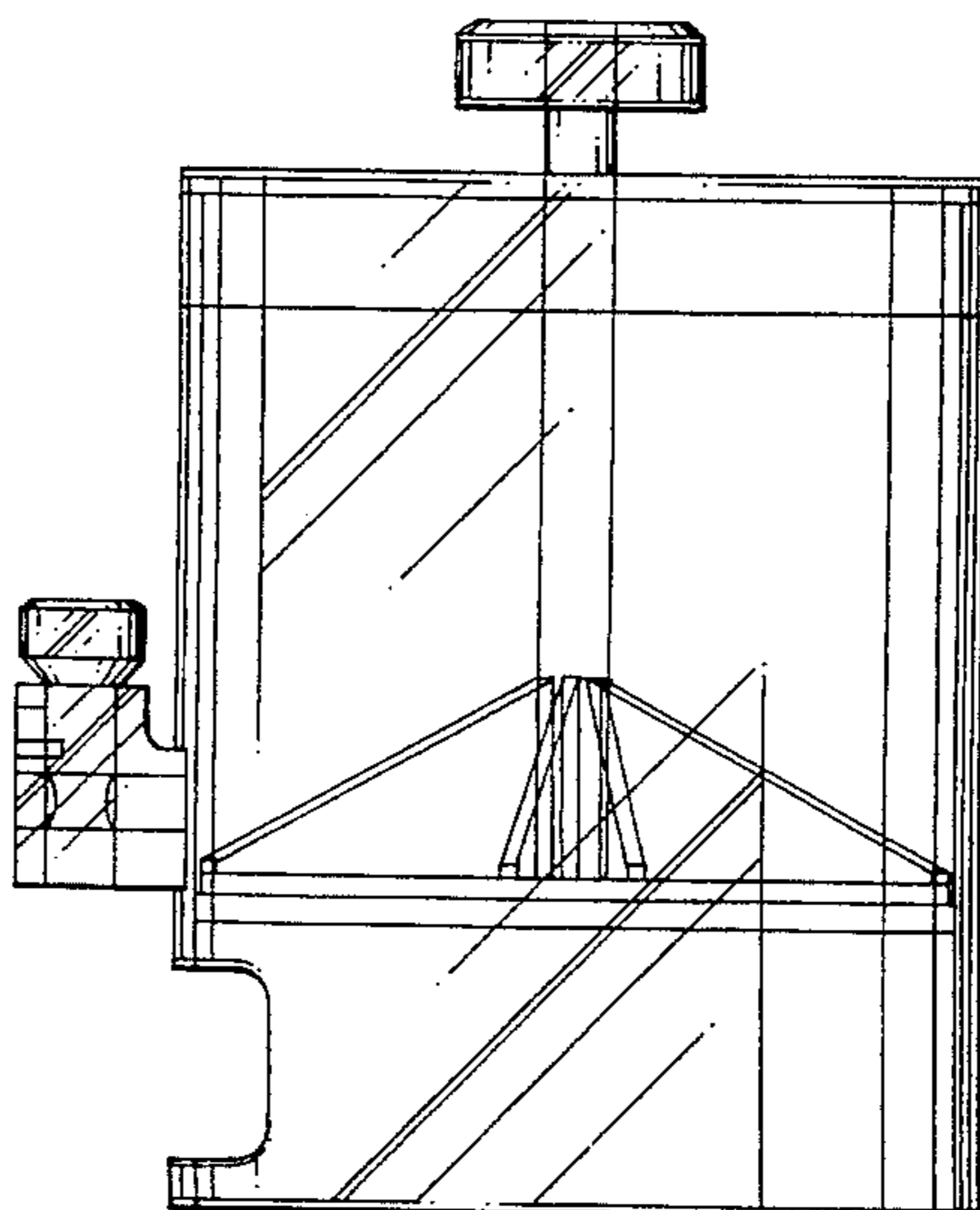
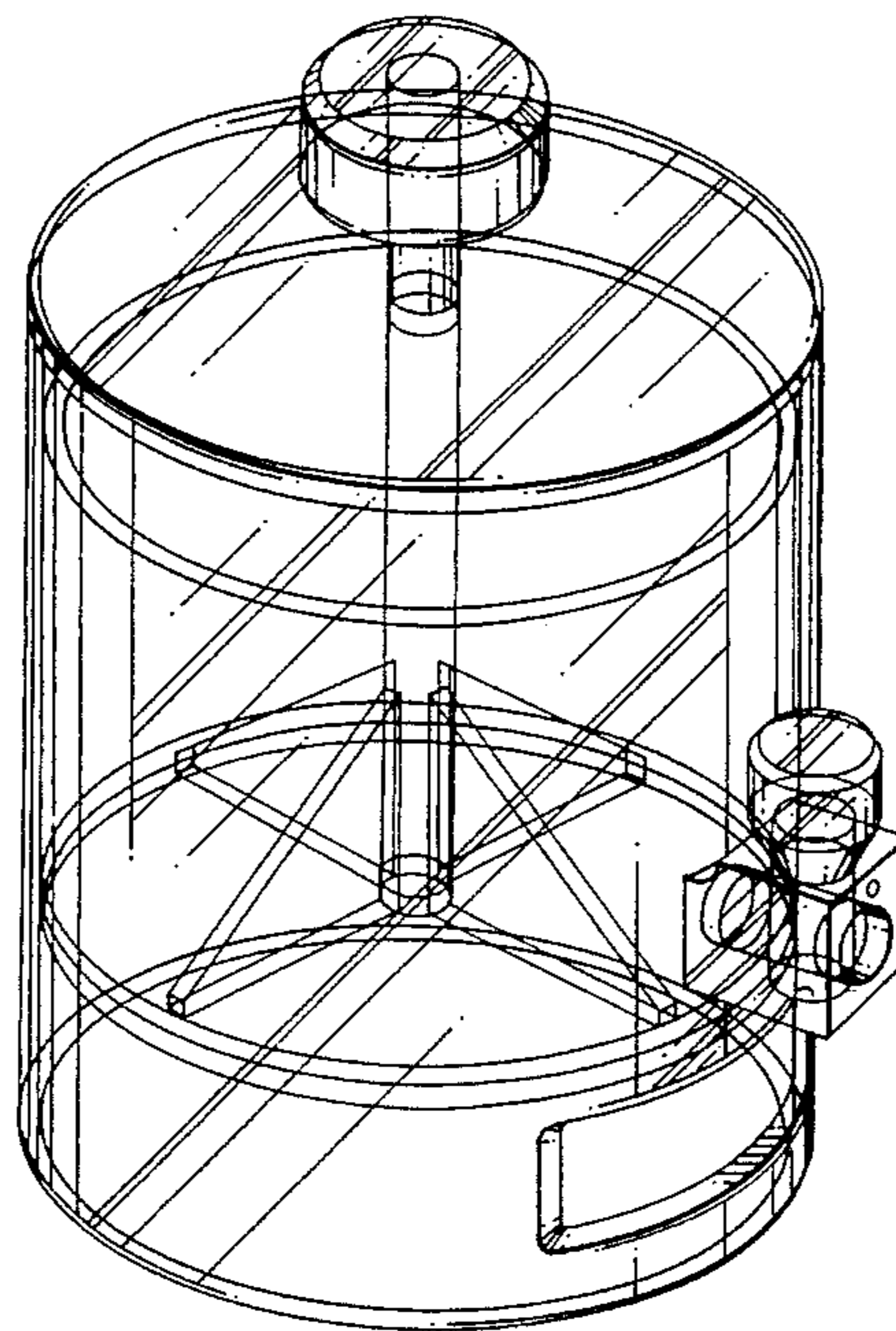
FIG. 5 is a front elevation view thereof; and,

FIG. 6 is a rear elevation view thereof.

U.S. PATENT DOCUMENTS

- D. 279,643 7/1985 Jensen D7/589
- D. 326,983 6/1992 Elmore D7/589

1 Claim, 2 Drawing Sheets



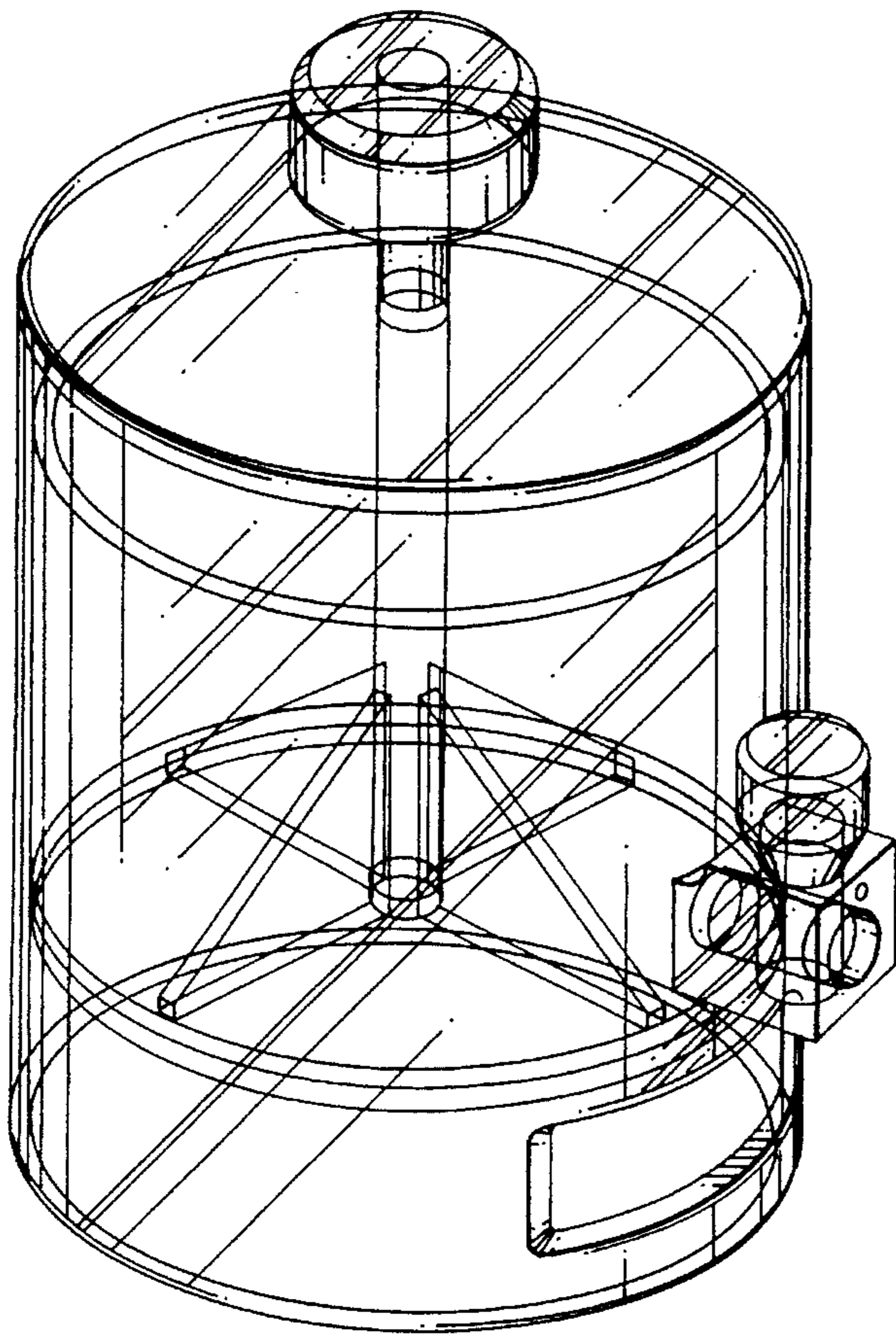


FIG. 1

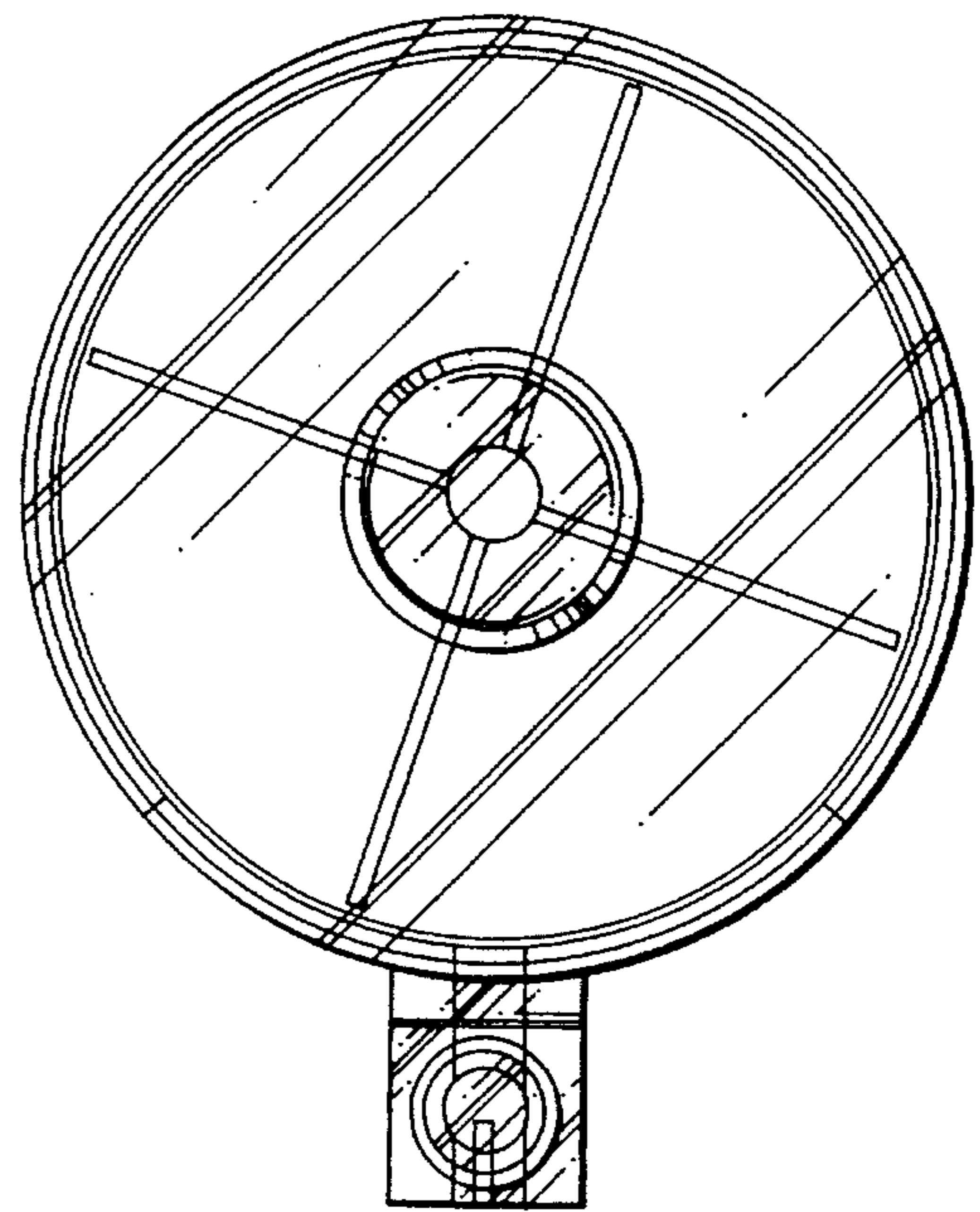


FIG. 3

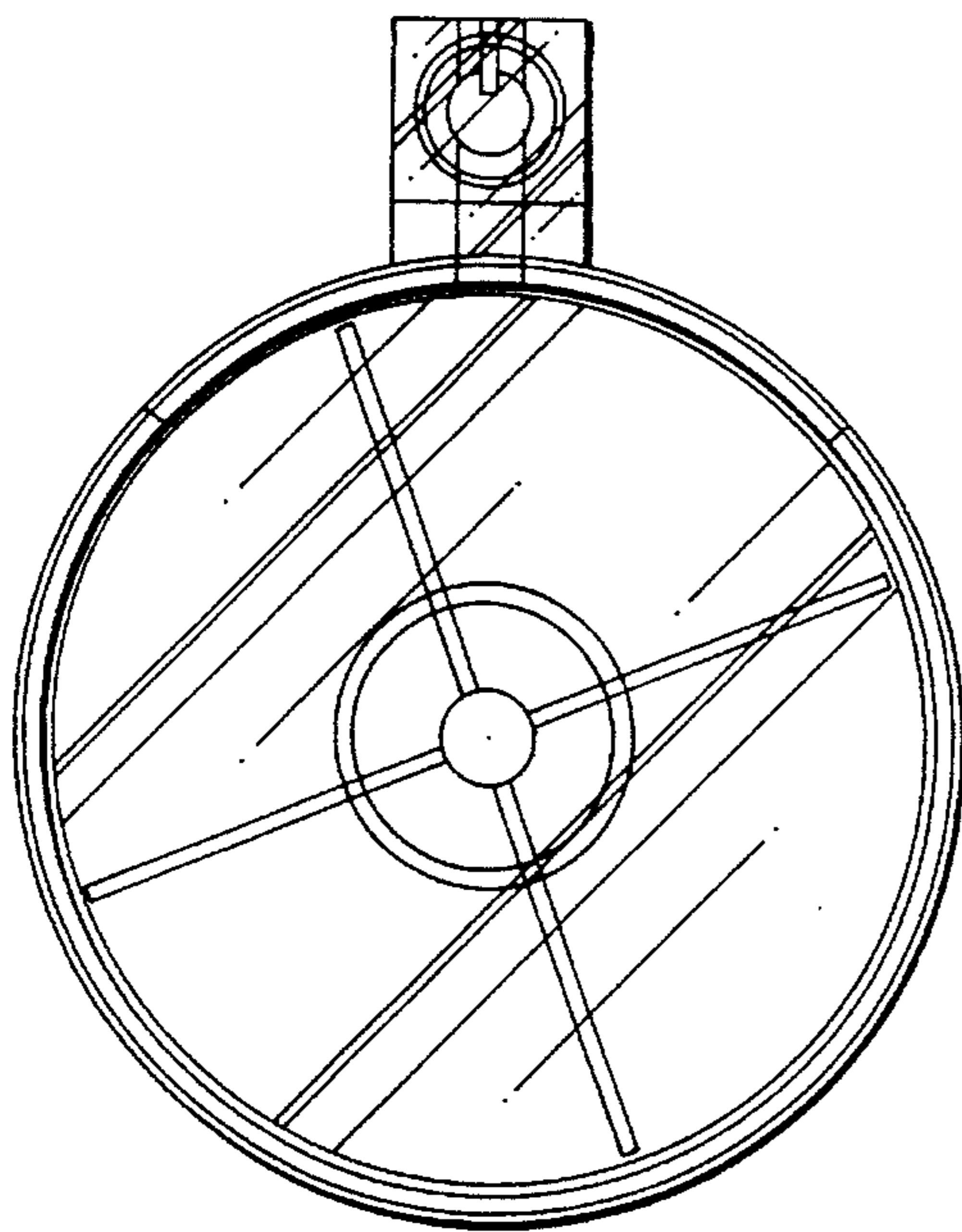


FIG. 4

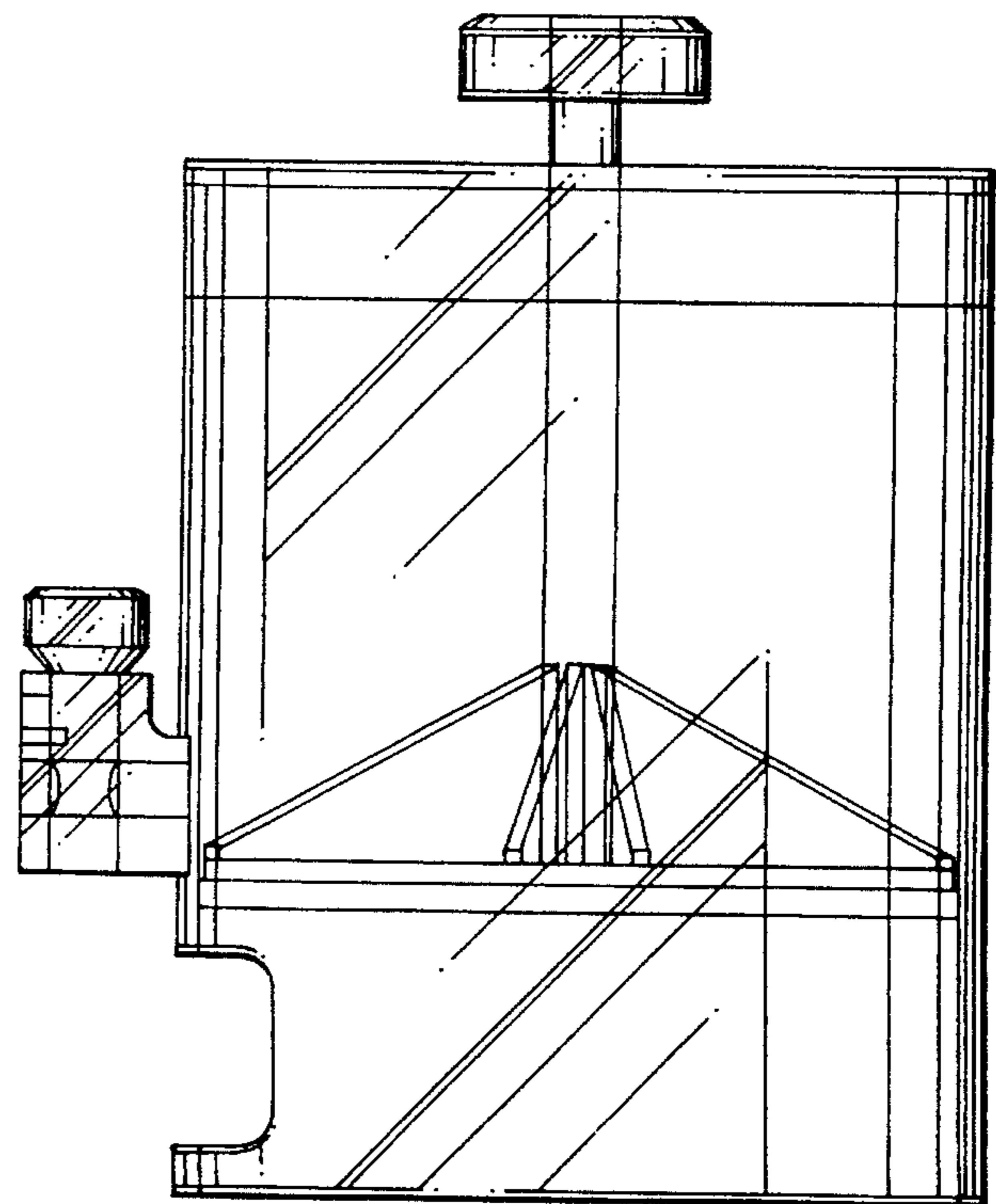


FIG. 2

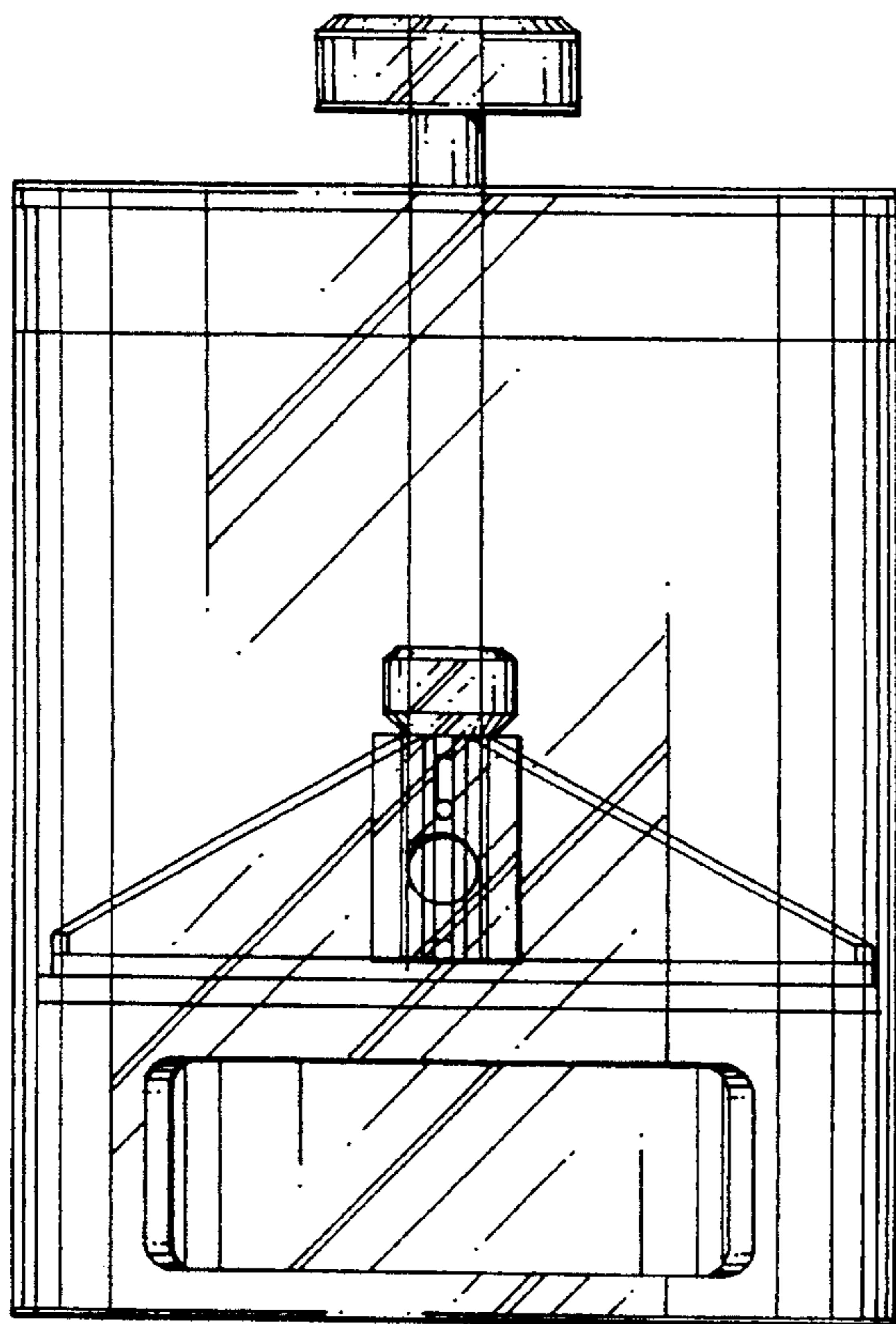


FIG. 5

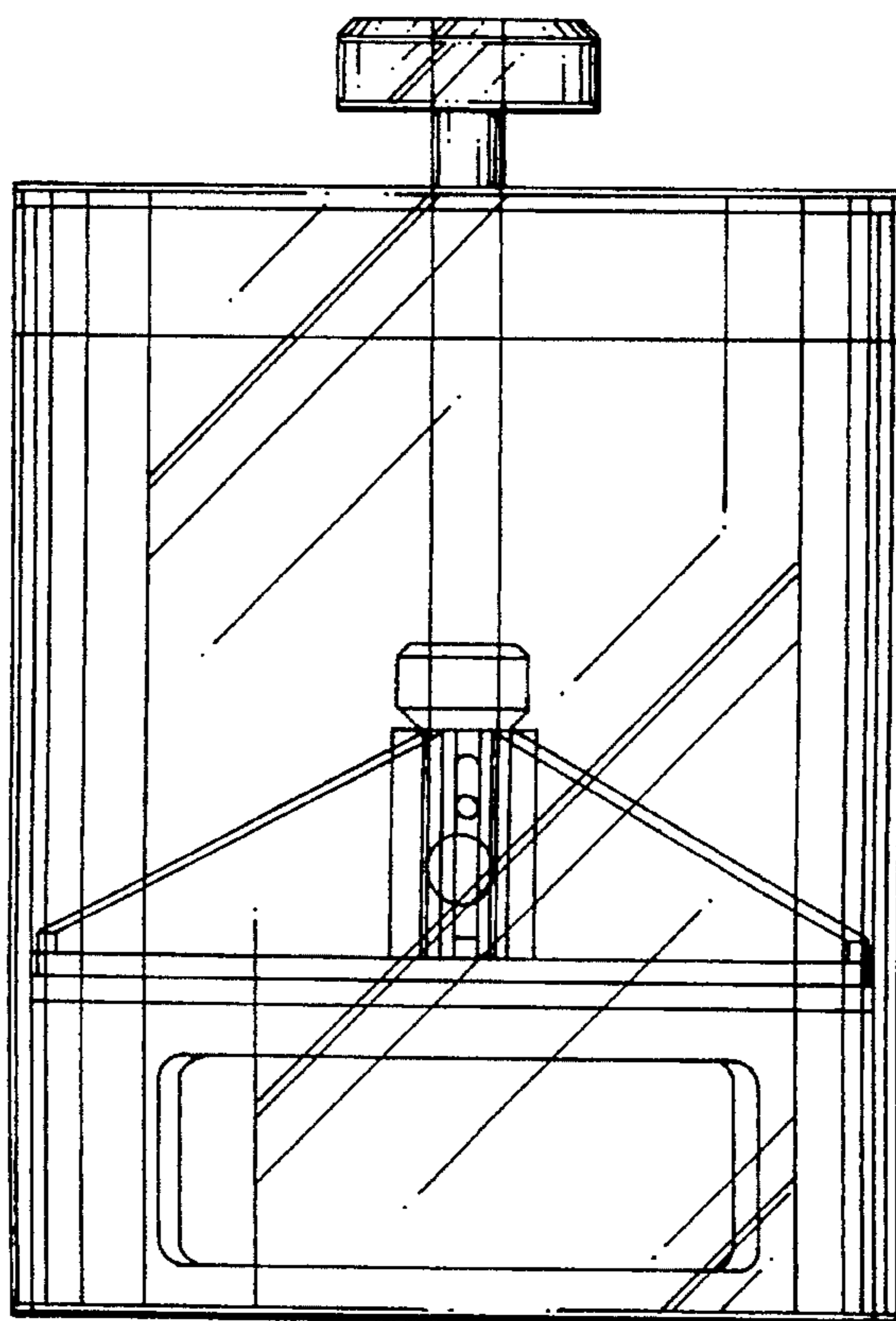


FIG. 6