



US00D371049S

**United States Patent** [19]  
**Cuthbertson et al.**

[11] **Patent Number: Des. 371,049**

[45] **Date of Patent: \*\*Jun. 25, 1996**

[54] **BEVERAGE CUP**

[76] Inventors: **Robert Cuthbertson; Diane Cuthbertson**, both of 1848 Clarion Ave., Cincinnati, Ohio 45207

[\*\*] Term: **14 Years**

[21] Appl. No.: **40,320**

[22] Filed: **Jun. 15, 1995**

[52] **U.S. Cl.** ..... **D7/536; D7/533**

[58] **Field of Search** ..... **D7/505, 507, 509, D7/510, 511, 514, 515, 529, 523, 532, 533, 534, 535, 536, 516, 623, 622, 300.2; 215/398, 387, 396**

[56] **References Cited**

**U.S. PATENT DOCUMENTS**

- D. 257,524 11/1980 Heinrich ..... D7/536
- D. 309,401 7/1990 Lombardi ..... D7/507
- D. 336,825 6/1993 Ivey ..... D7/536 X
- D. 350,457 9/1994 Bailey ..... D7/509 X

- 568,529 9/1896 Frye ..... D7/536 X
- 2,914,214 11/1959 Messinger ..... D7/536 X
- 3,013,691 12/1961 Prentice ..... D7/622 X
- 4,928,412 5/1990 Nishiyama ..... D7/536 X
- 4,932,542 6/1990 Chen et al. .... D7/536 X

*Primary Examiner*—M. N. Pandozzi  
*Attorney, Agent, or Firm*—Harold H. Dutton, Jr.; W. Charles L. Jamison; Diane F. Liebman

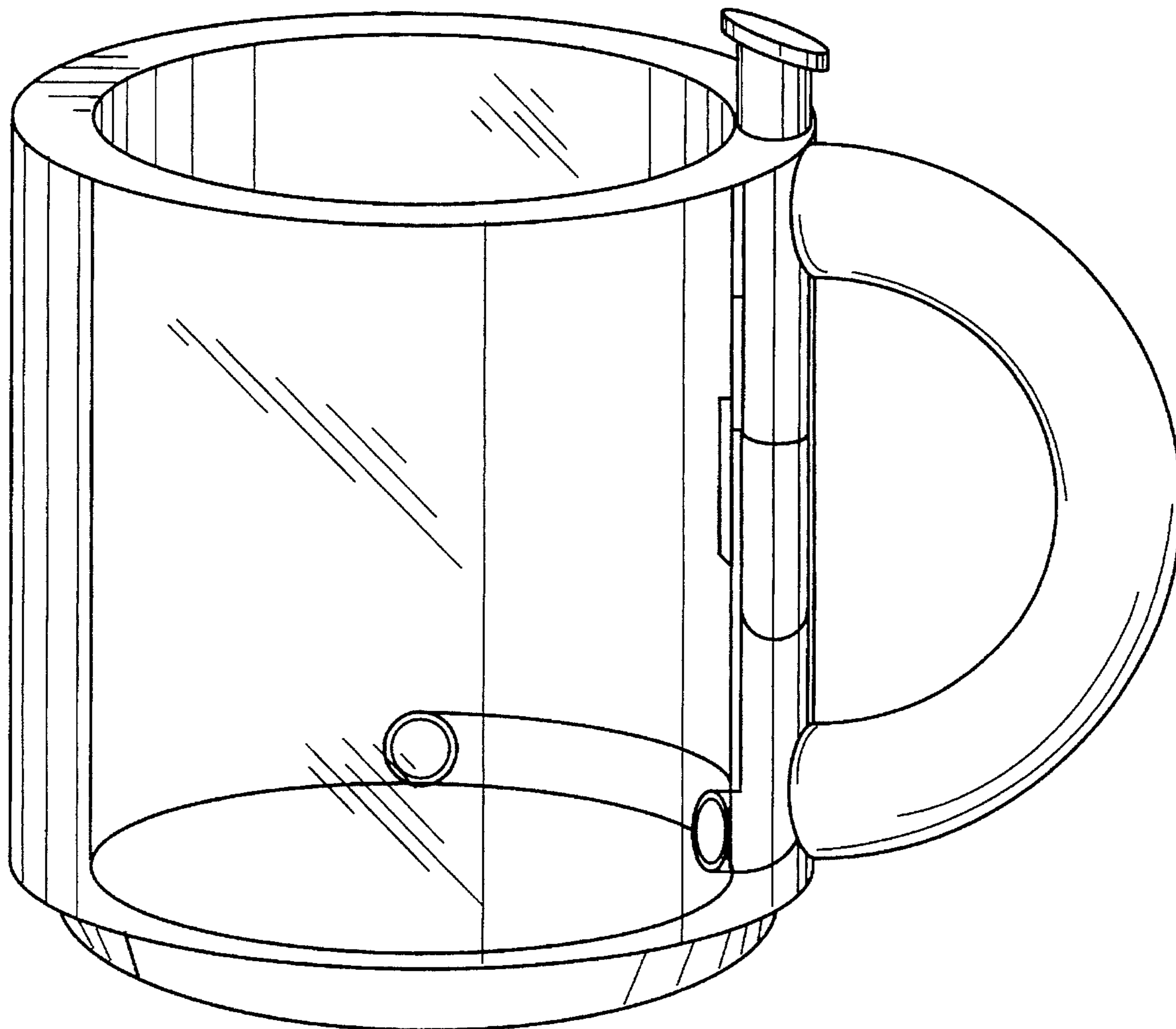
[57] **CLAIM**

The ornamental design for a beverage cup, as shown.

**DESCRIPTION**

FIG. 1 is a front perspective view of a beverage cup showing our new design;  
FIG. 2 is a rear perspective view thereof;  
FIG. 3 is a left side view thereof;  
FIG. 4 is a right side view thereof;  
FIG. 5 is a top view thereof; and,  
FIG. 6 is a bottom view thereof.

**1 Claim, 4 Drawing Sheets**



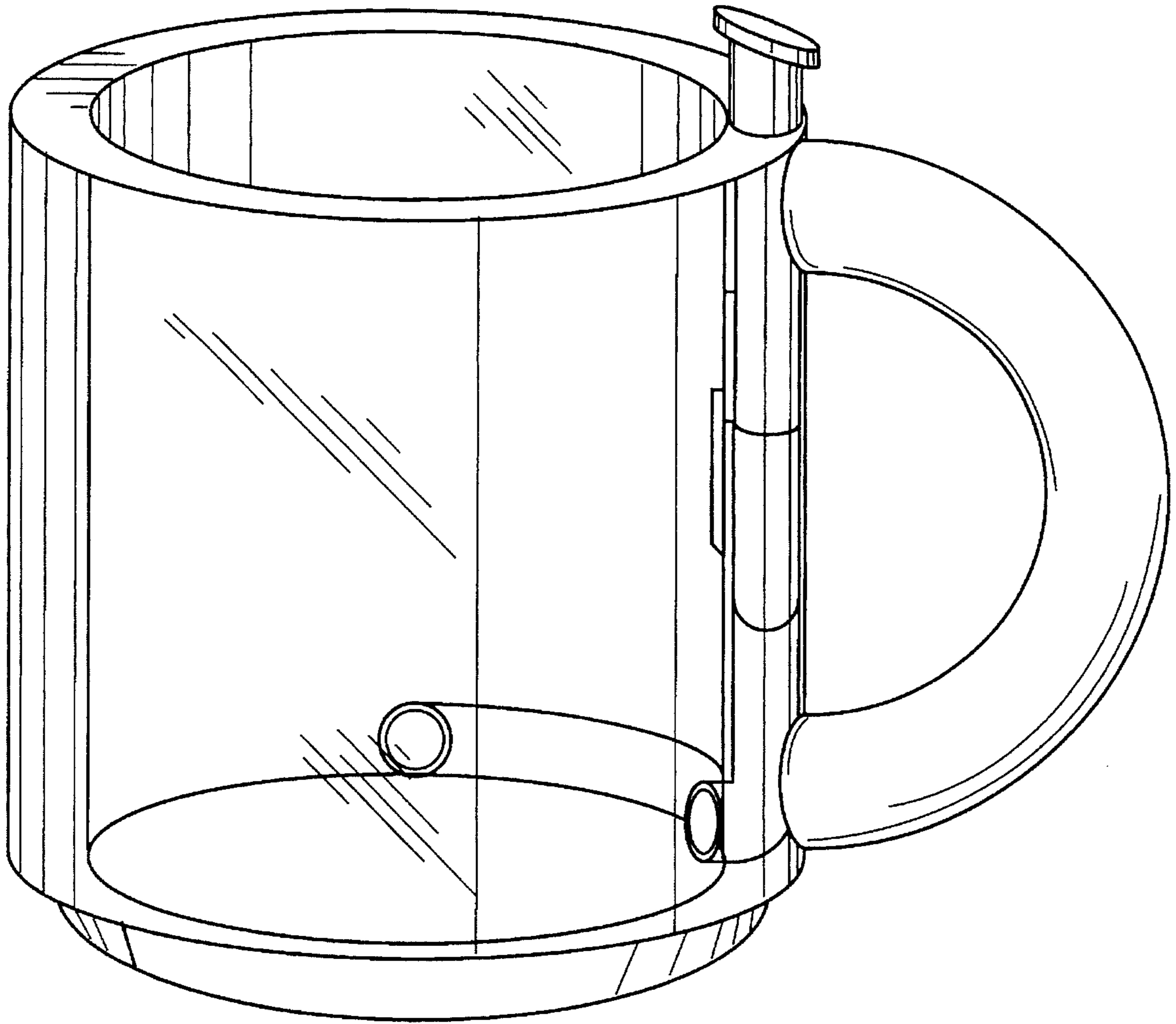


FIG. 1

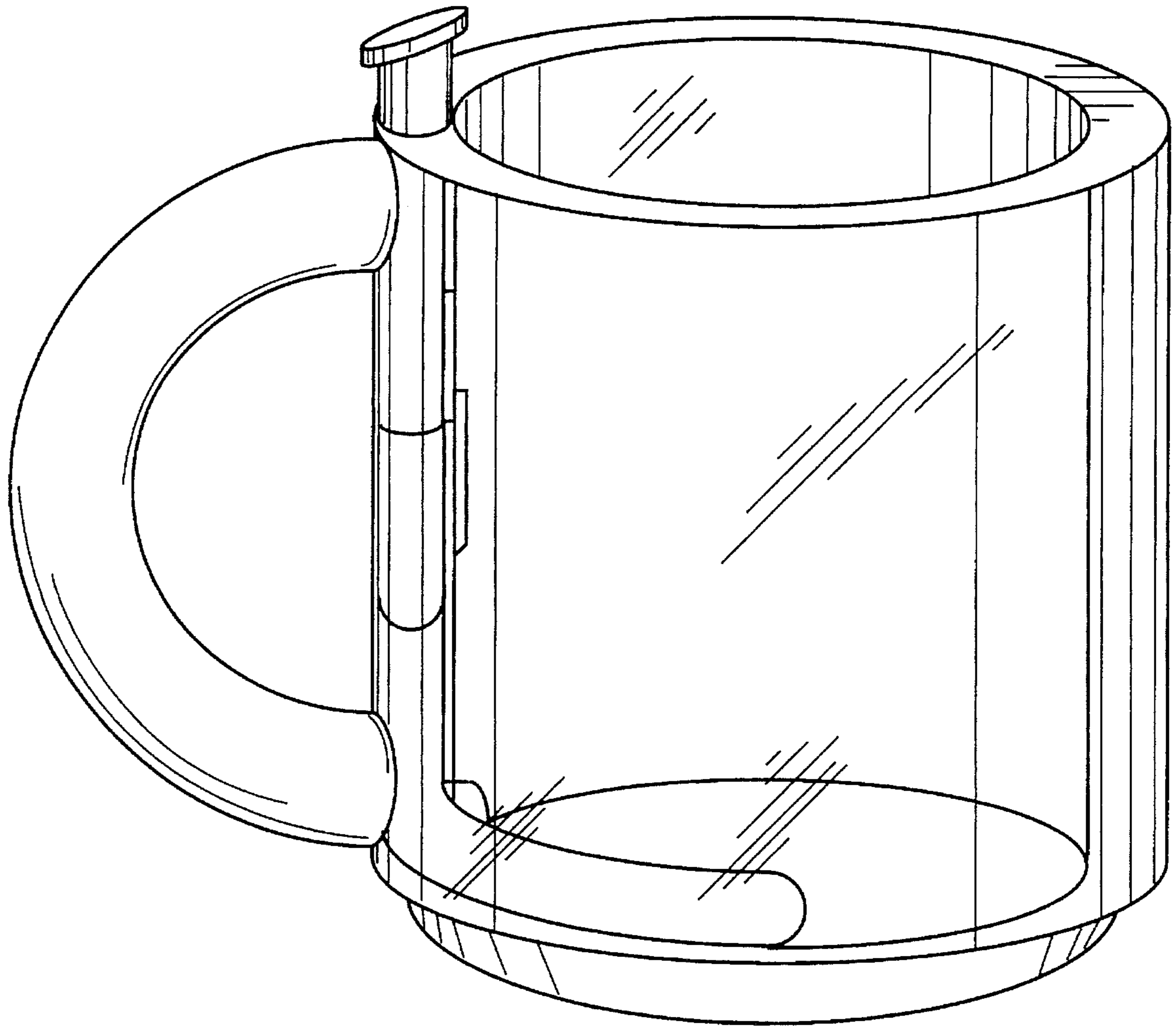


FIG. 2

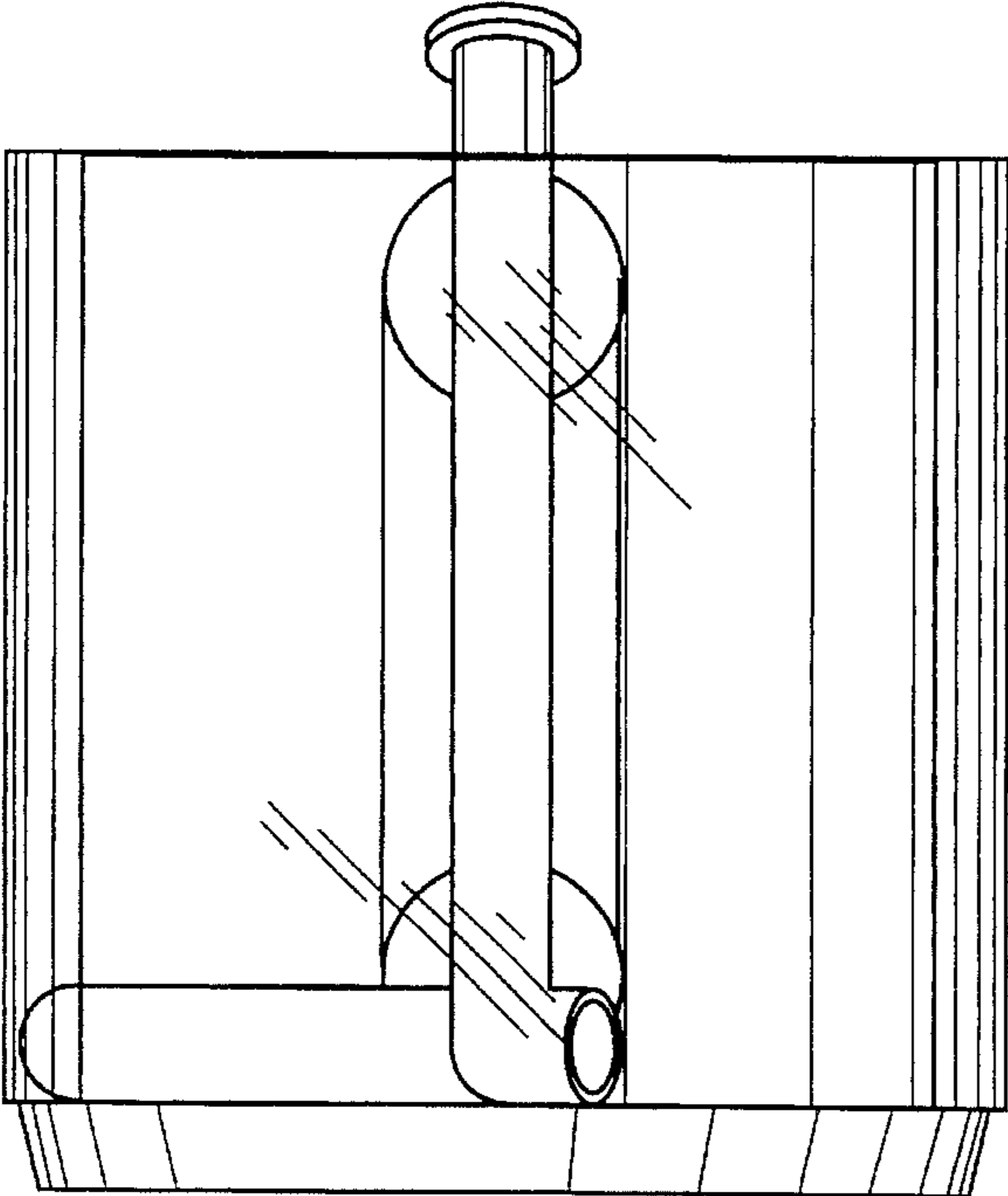
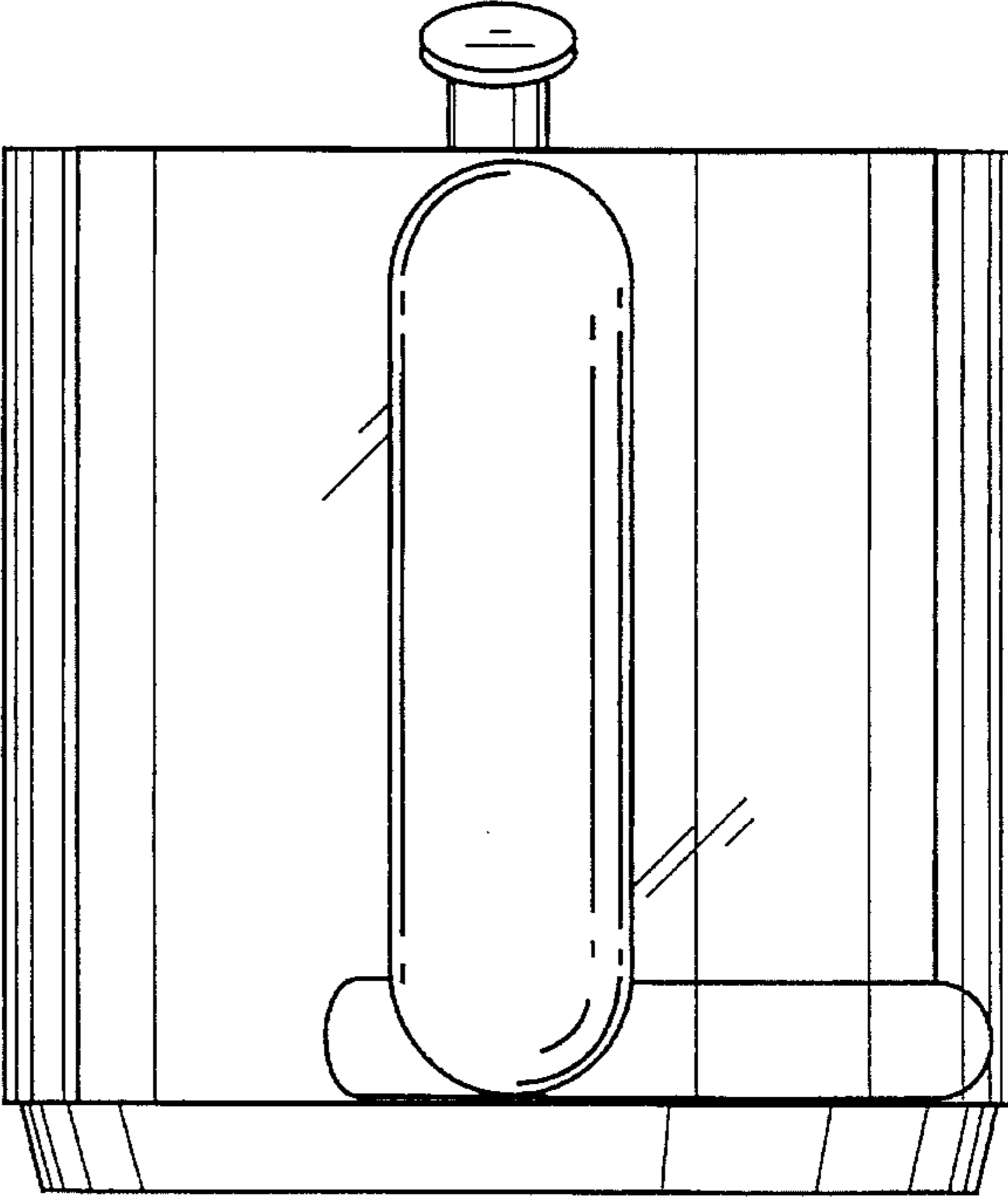


FIG. 4

FIG. 3



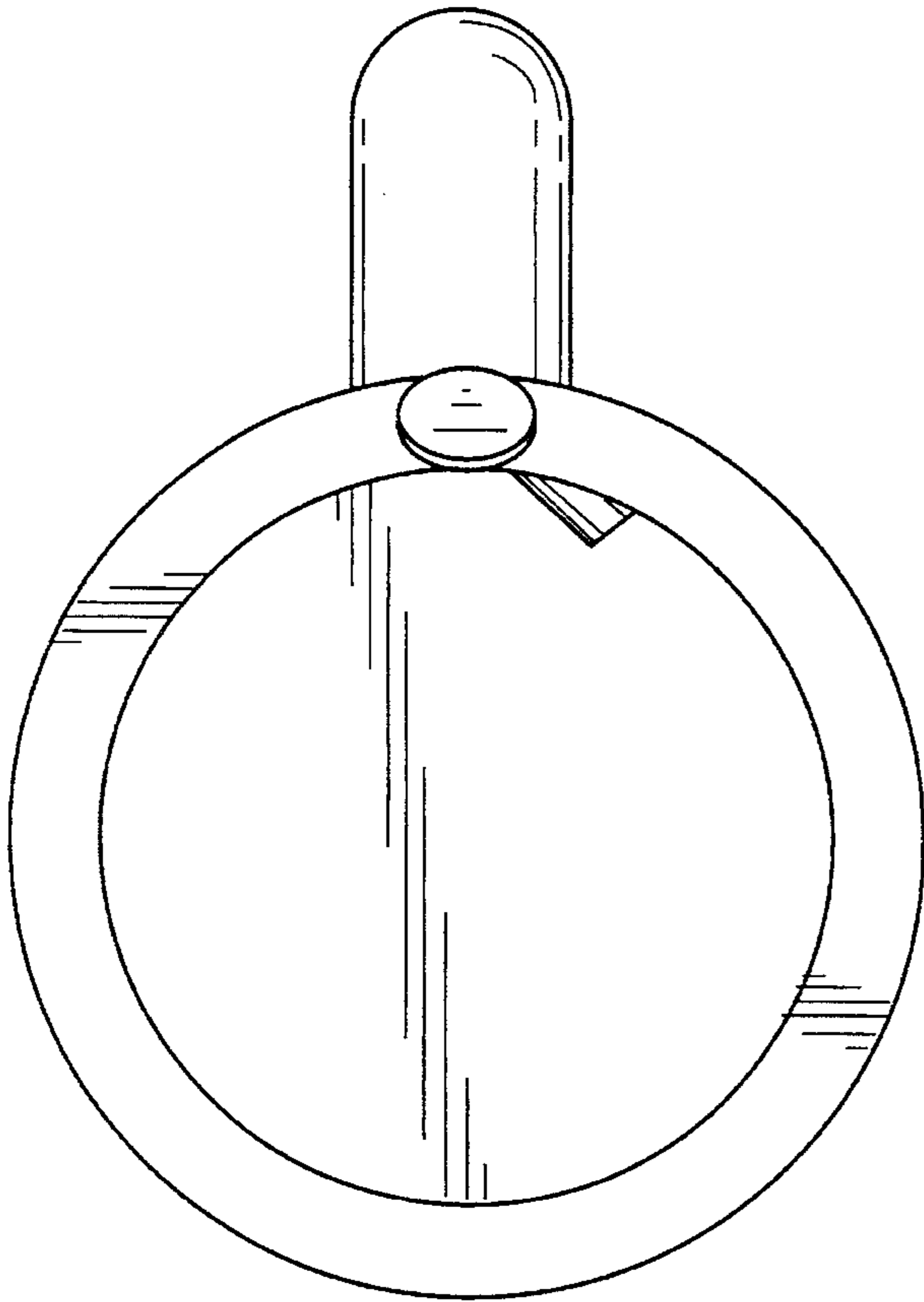


FIG. 5

FIG. 6

