



US00D371047S

# United States Patent [19]

[11] Patent Number: **Des. 371,047**

Houyou

[45] Date of Patent: **\*\*Jun. 25, 1996**

[54] TACO HOLDER

[75] Inventor: **John R. Houyou**, East Haven, Conn.

[73] Assignee: **Taco John's Inc.**, East Haven, Conn.

[\*\*] Term: **14 Years**

[21] Appl. No.: **41,703**

[22] Filed: **Jul. 21, 1995**

[52] U.S. Cl. .... **D7/504**; D7/553; D7/555;  
D19/77

[58] Field of Search ..... D7/504, 543-557,  
D7/409, 359; D9/341, 345, 456; D19/77;  
206/557, 561-564; 220/23.8, 500, 507,  
512; 229/406, 407, 904; 211/126, 10, 11,  
13, 71

[56] **References Cited**

### U.S. PATENT DOCUMENTS

D. 266,816	11/1982	Schupp .	
D. 284,341	6/1986	Zajac et al. ....	D7/554
D. 293,193	12/1987	Vandervoot .....	D7/555 X
D. 331,942	12/1992	Kiizchner .....	D19/77 X
D. 336,406	6/1993	Wytiuk .....	D7/504
D. 340,384	10/1993	Couillard et al. ....	D7/504
2,957,405	10/1960	Maldonado .....	29/426

3,589,511	6/1971	Britt .....	217/26.5
3,782,582	1/1974	Lybbert et al. ....	220/23.6
4,004,501	1/1977	Guerrero .....	99/426
4,535,891	8/1985	Murdick et al. ....	206/564
4,573,579	3/1986	Murdick et al. ....	206/525
4,653,645	3/1987	Thomas .....	206/549
4,974,502	12/1990	Murdock .....	99/426
5,232,609	8/1993	Prevost et al. ....	249/102

### OTHER PUBLICATIONS

Signatures, Taco Tray.

*Primary Examiner*—Terry A. Wallace  
*Attorney, Agent, or Firm*—Bachman & LaPointe

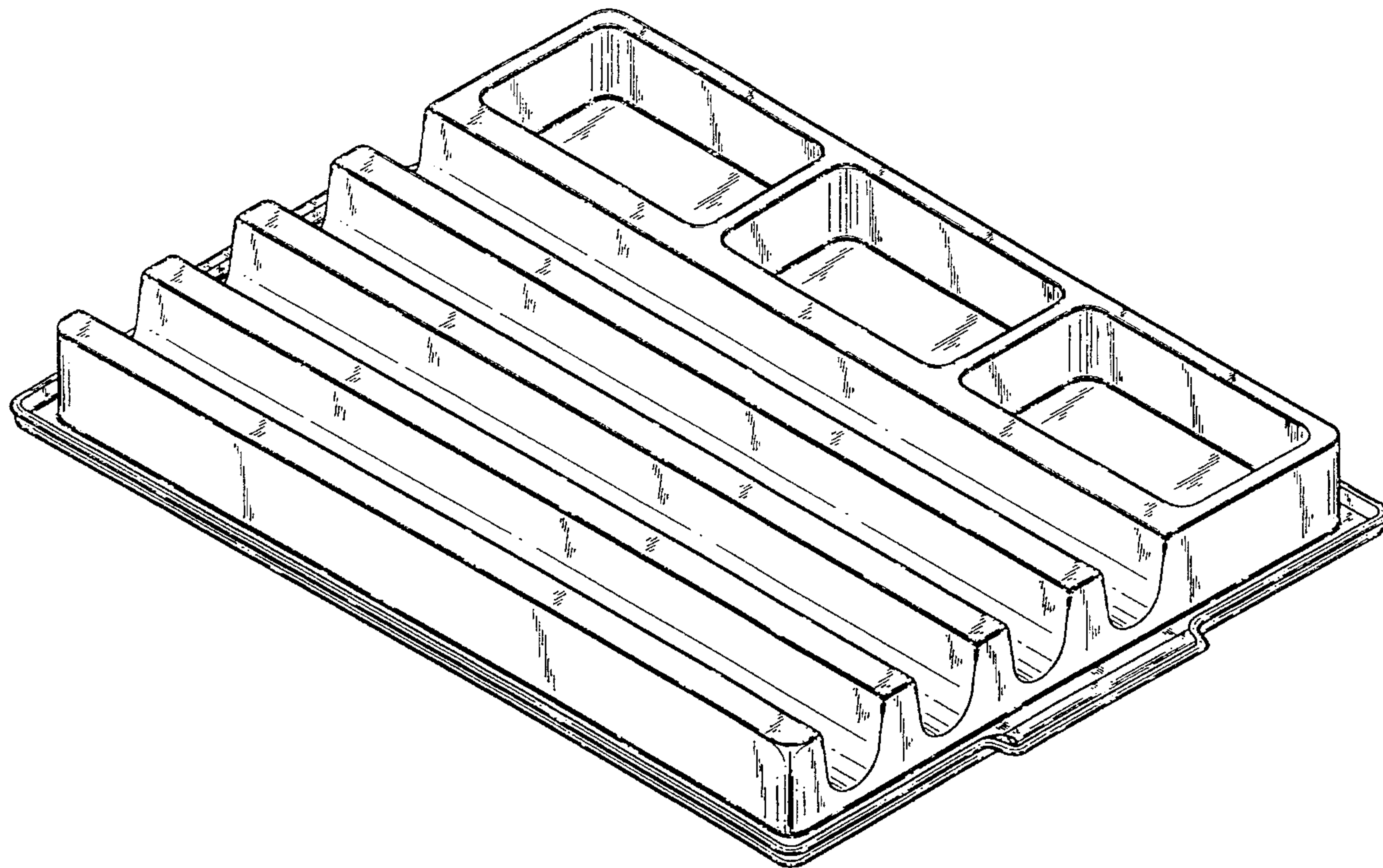
### [57] CLAIM

The ornamental design for a taco holder, as shown and described.

### DESCRIPTION

FIG. 1 is a top, front, right side perspective view of a taco holder showing my new design;  
FIG. 2 is a top plan view thereof;  
FIG. 3 is a side elevation view thereof;  
FIG. 4 is a rear elevation view thereof; and,  
FIG. 5 is a bottom plan view thereof.

**1 Claim, 3 Drawing Sheets**



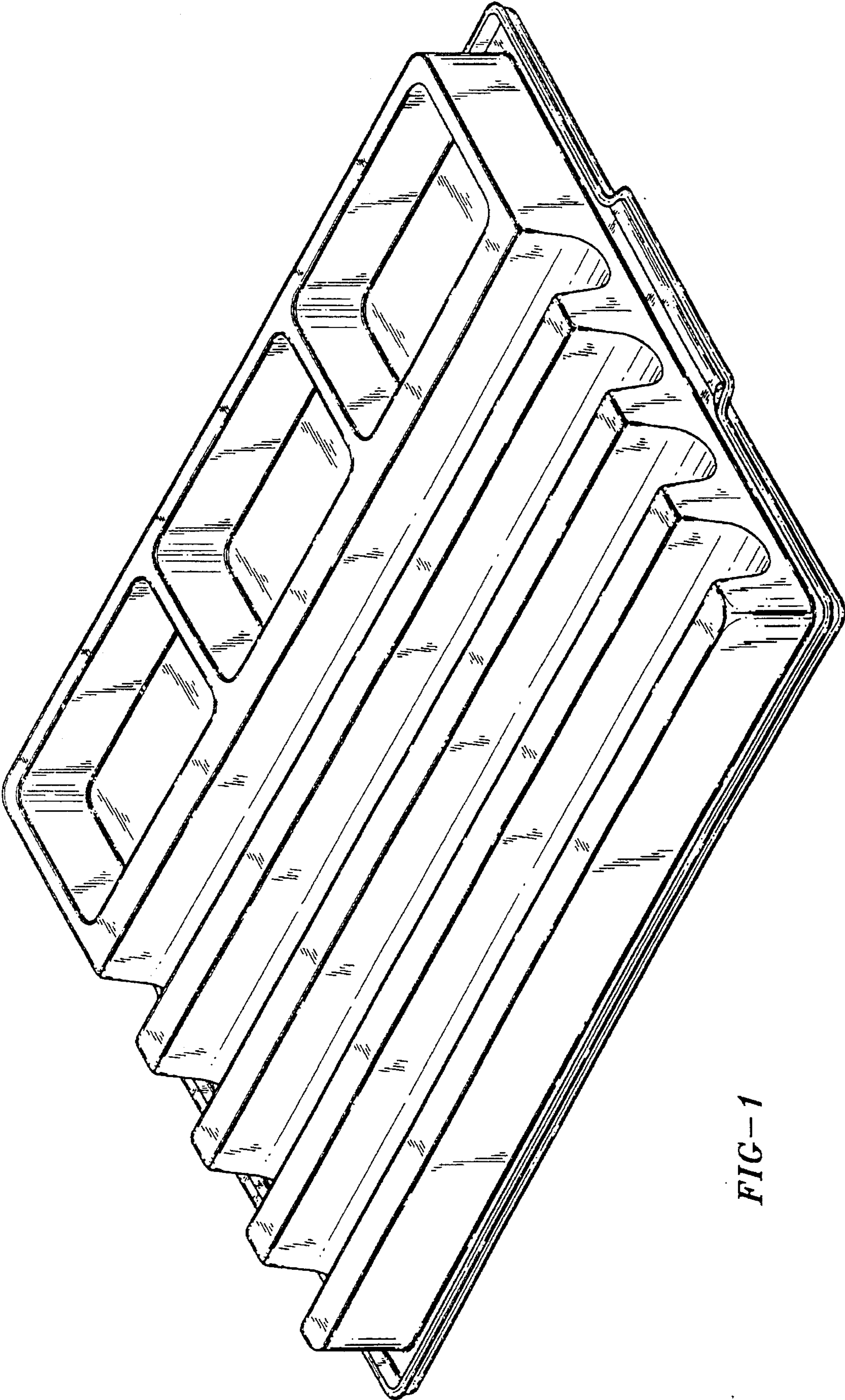


FIG-1



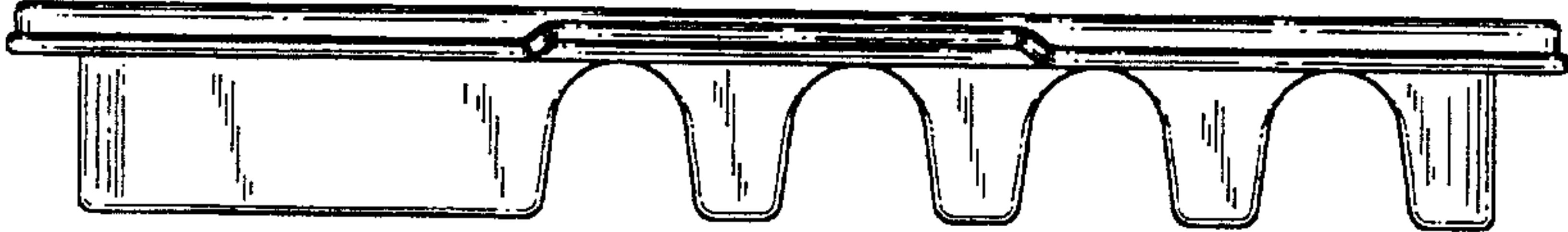


FIG-4

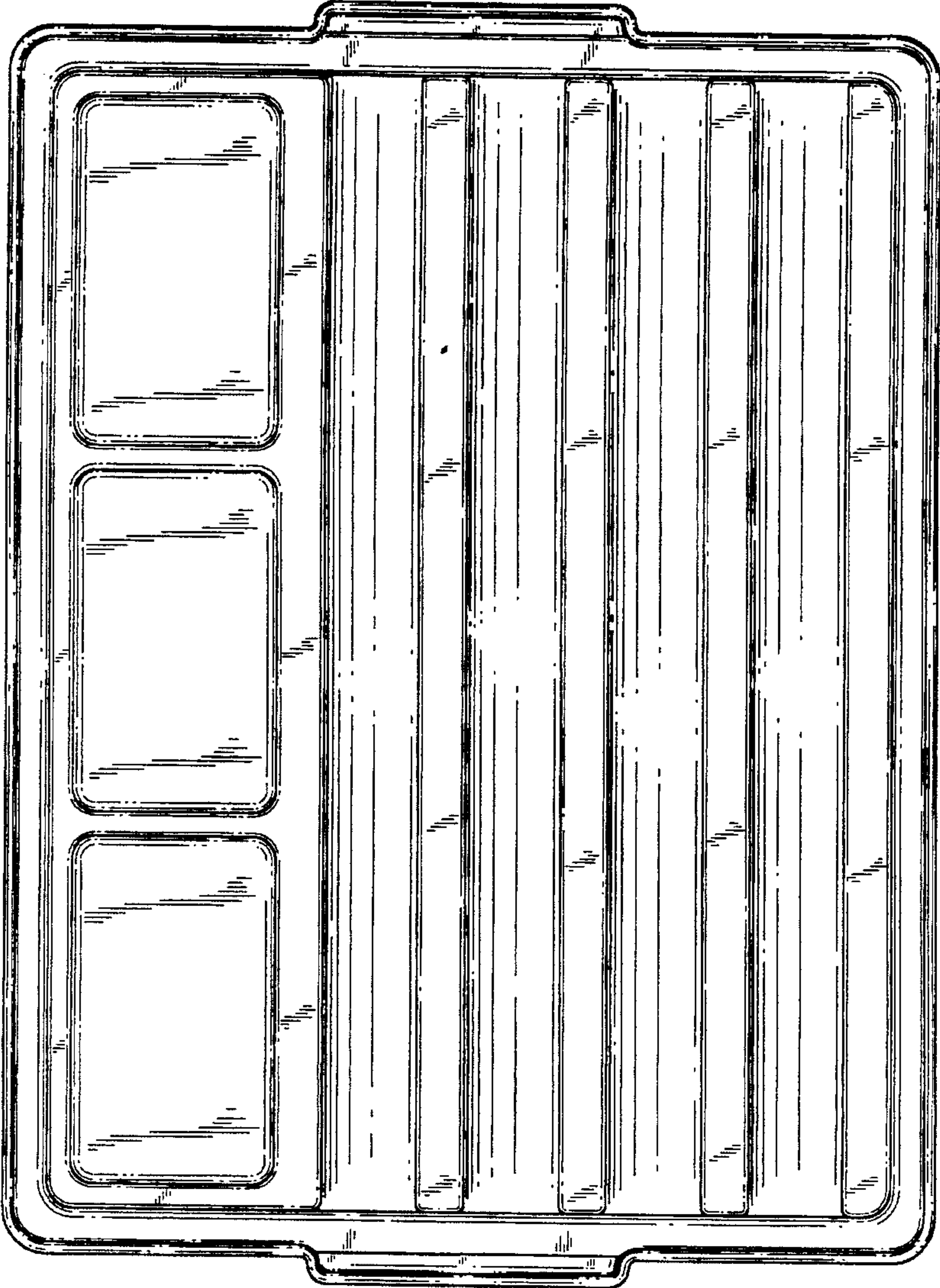


FIG-2

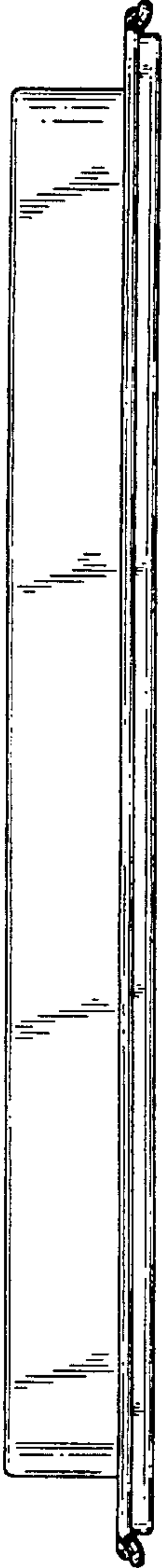


FIG-3

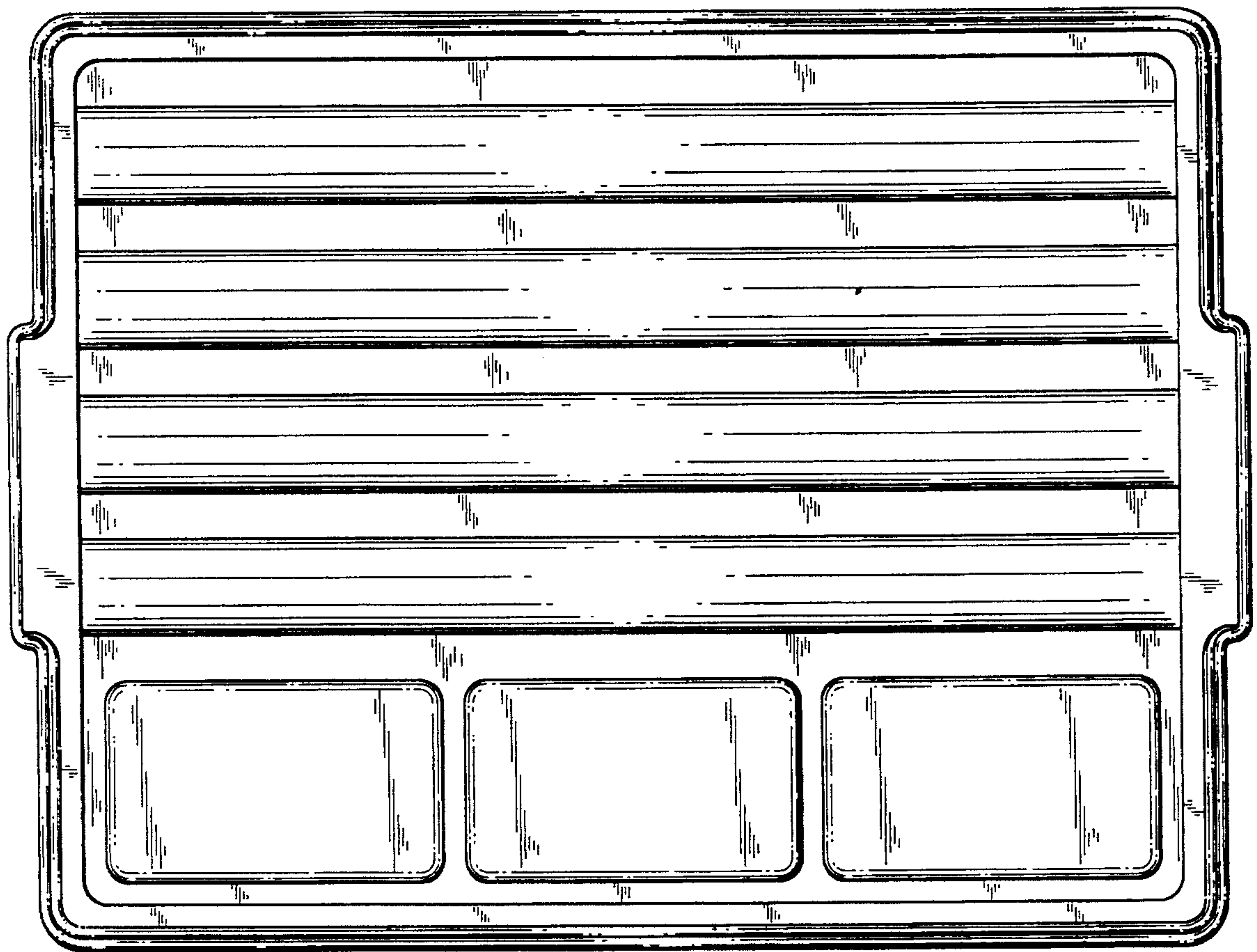


FIG-5