



US00D371045S

United States Patent [19]

[11] Patent Number: **Des. 371,045**

Lillelund et al.

[45] Date of Patent: ****Jun. 25, 1996**

[54] CANISTER LID

FOREIGN PATENT DOCUMENTS

[75] Inventors: **Stig Lillelund**, Gentofte; **Eskil H. Olsen**, Klampenborg; **Jakob Heiberg**, Charlottenlund, all of Denmark; **Robert H. C. M. Daenen**, Essene, Belgium

460171 10/1950 Italy .

Primary Examiner—Terry A. Wallace
Attorney, Agent, or Firm—John A. Doninger

[73] Assignee: **Dart Industries Inc.**, Deerfield, Ill.

[**] Term: **14 Years**

[57] **CLAIM**

The ornamental design for a canister lid, as shown and described.

[21] Appl. No.: **38,672**

DESCRIPTION

[22] Filed: **May 18, 1995**

[52] U.S. Cl. **D7/391**

[58] **Field of Search** D7/612-615, 391-392.1, D7/538-542; D9/418, 432, 434; 220/306, 307, 352, 353, 355, 356, 266, 377, 657, 659, 675

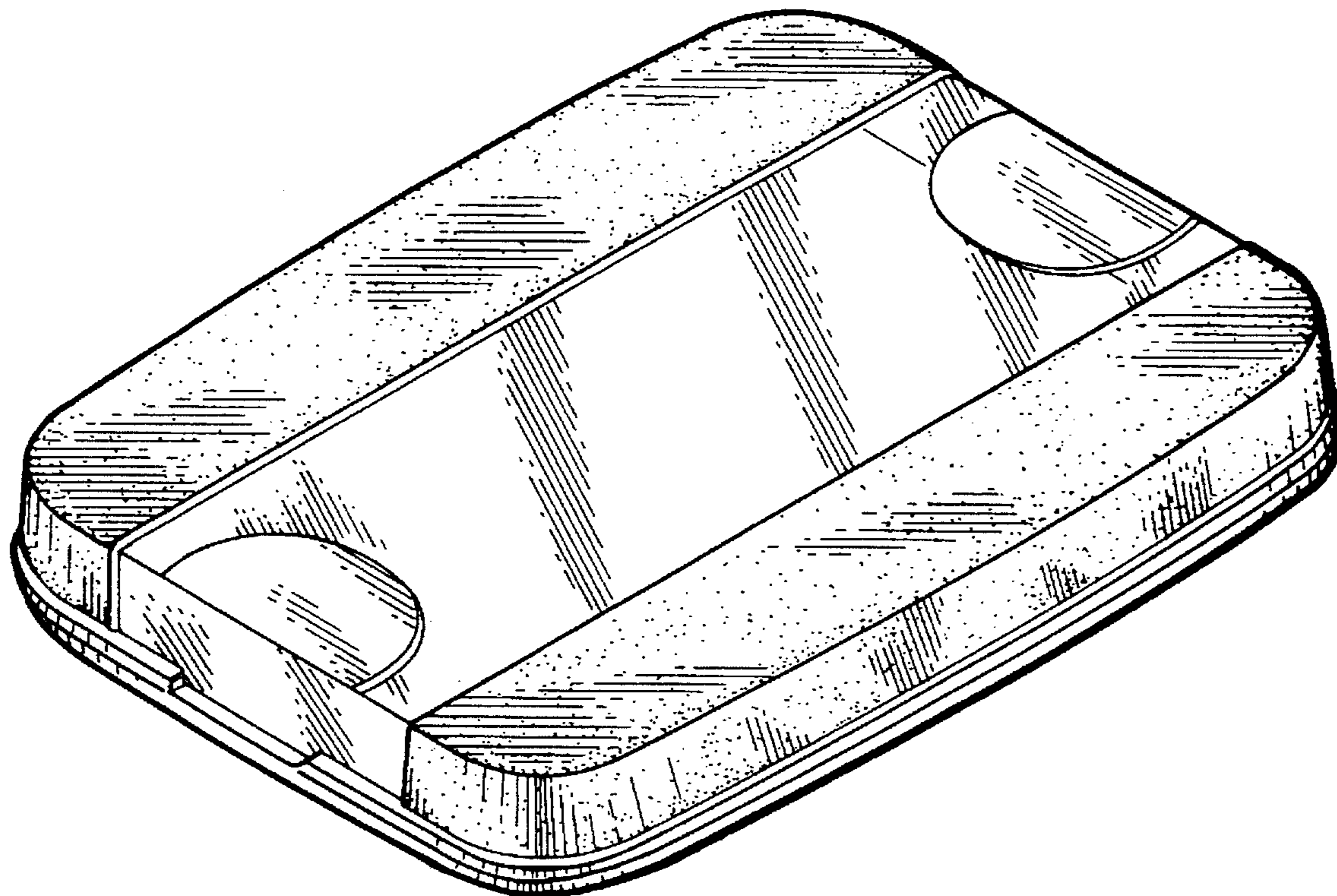
FIG. 1 is a top, side and front perspective view of a canister lid showing our new design;
FIG. 2 is a top plan view thereof;
FIG. 3 is a bottom plan view thereof;
FIG. 4 is a right side elevation view thereof;
FIG. 5 is a left side elevation view thereof;
FIG. 6 is a front elevation view thereof;
FIG. 7 is a rear elevation view thereof;
FIG. 8 is a longitudinal cross-section view thereof taken on line 8—8 in FIG. 2; and,
FIG. 9 is a transverse cross-section view thereof taken on line 9—9 in FIG. 2.

[56] **References Cited**

U.S. PATENT DOCUMENTS

- D. 276,400 11/1984 Daenen et al. .
- D. 279,952 8/1985 Daenen et al. .
- D. 290,924 7/1987 Daenen D7/391

1 Claim, 3 Drawing Sheets



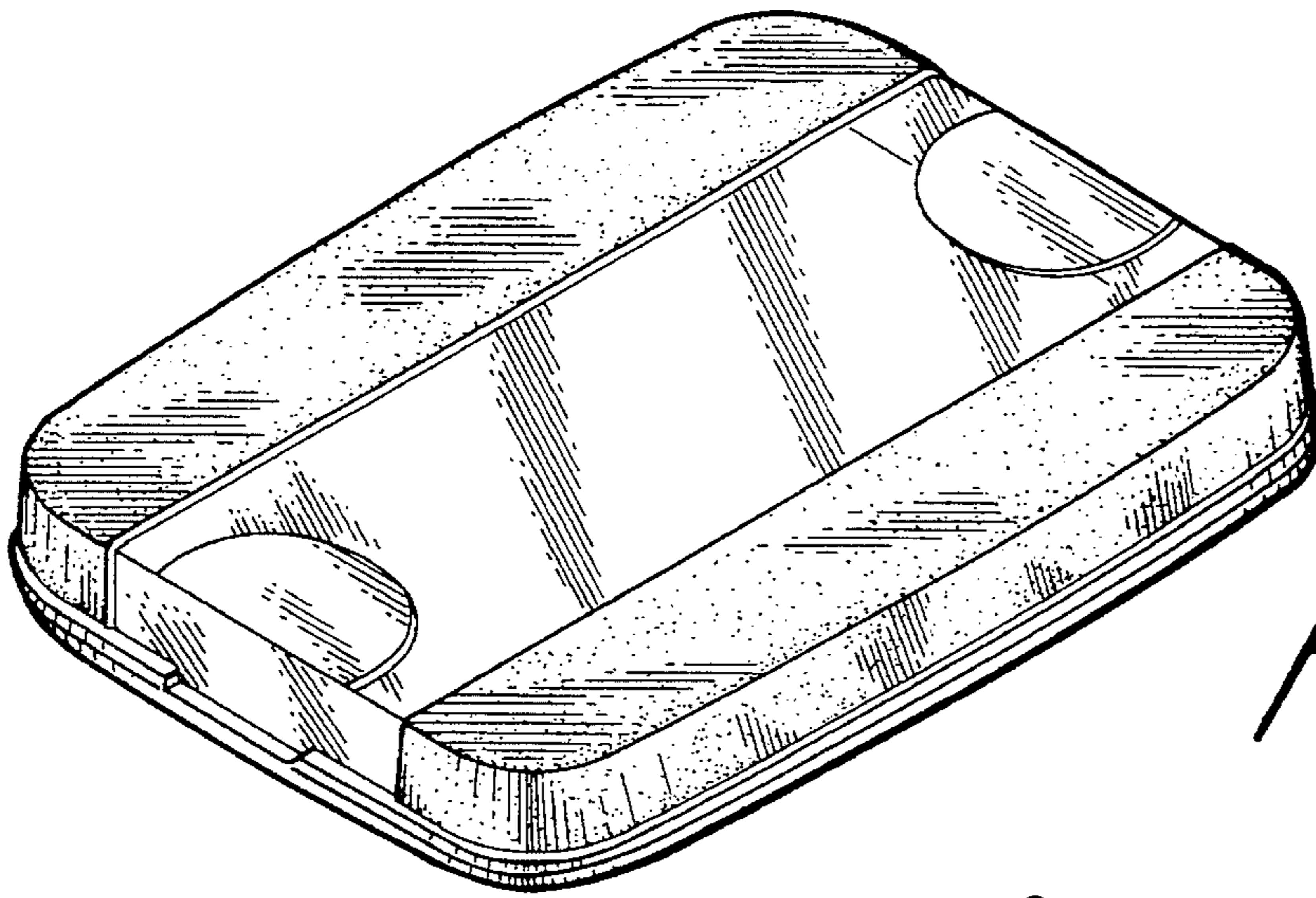


FIG. 1

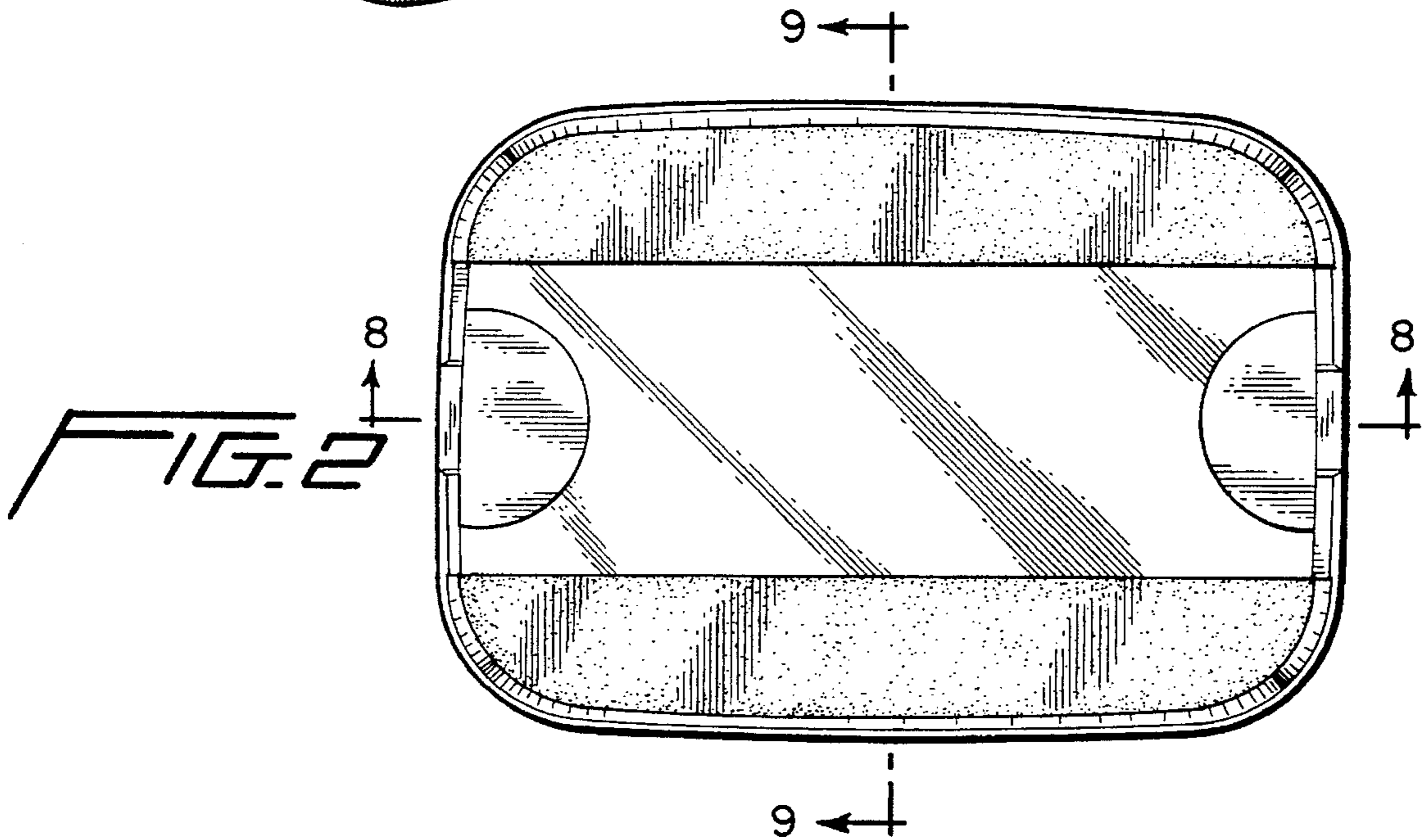


FIG. 2

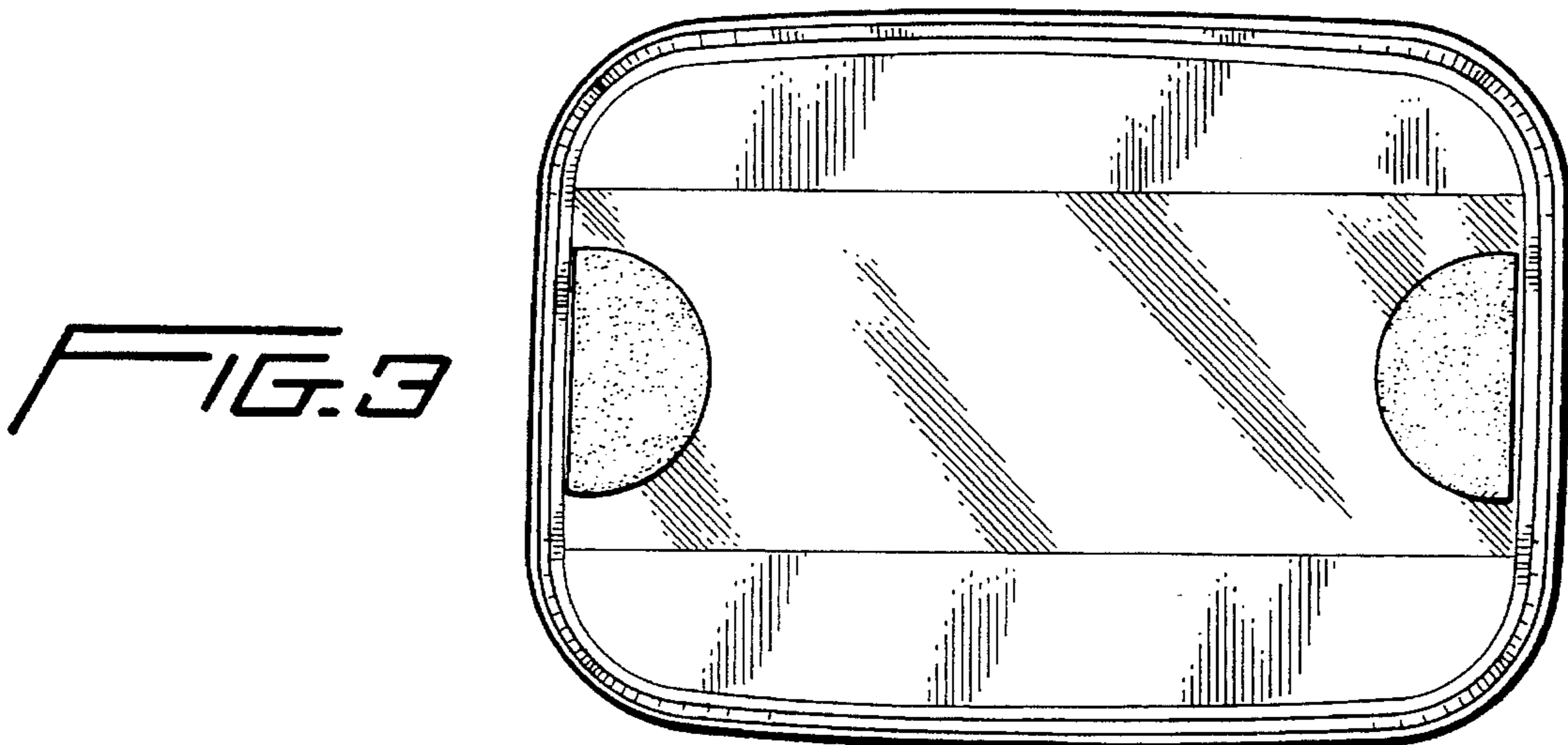


FIG. 3



FIG. 4



FIG. 5



FIG. 6

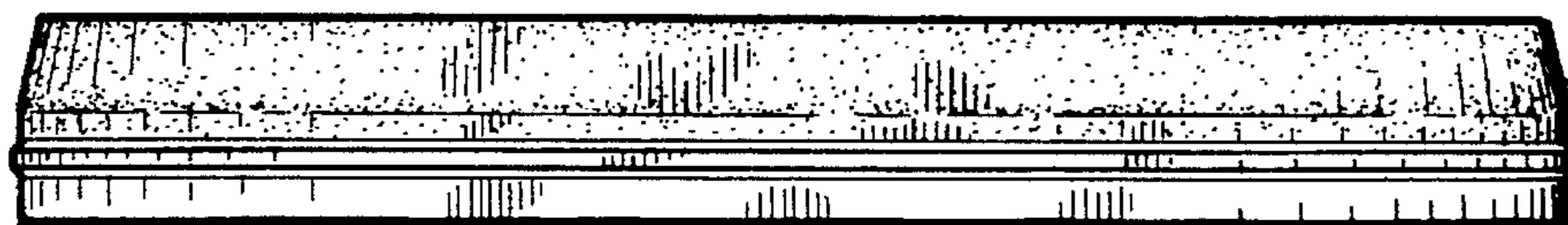


FIG. 7

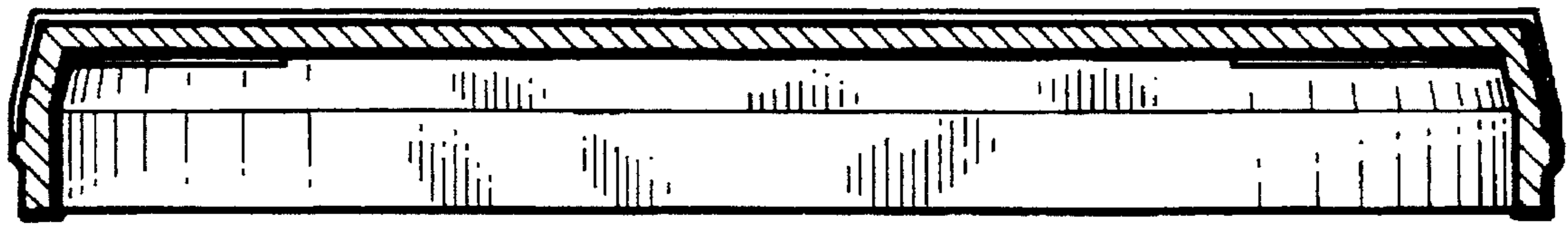


FIG. 8

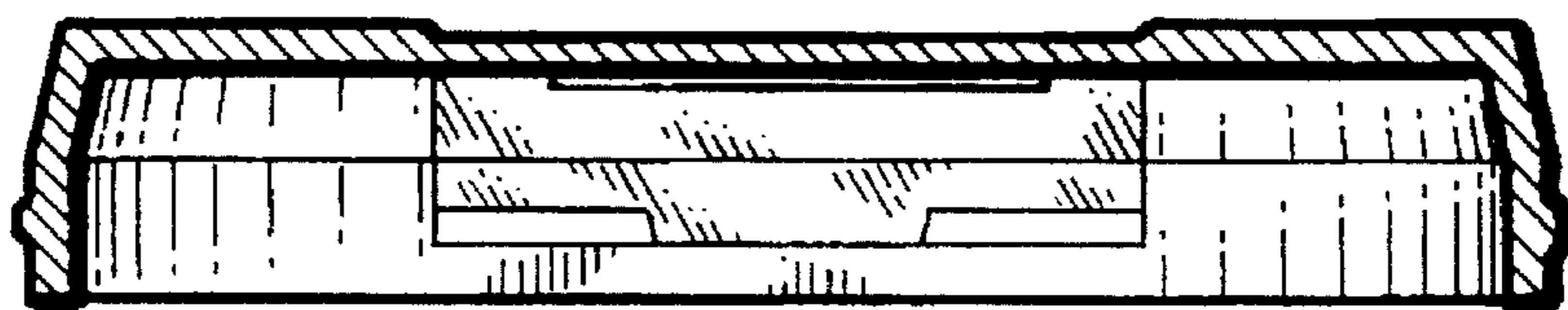


FIG. 9